



US00D422309S

# United States Patent [19] Bond

[11] Patent Number: Des. 422,309

[45] Date of Patent: \*\* Apr. 4, 2000

## [54] COMBINED CARPENTER'S PENCIL AND RULER

[76] Inventor: William R Bond, 4710 Asdee La., Woodbridge, Va. 22193

[\*\*] Term: 14 Years

[21] Appl. No.: 29/105,314

[22] Filed: May 21, 1999

[51] LOC (6) Cl. .... 19-06

[52] U.S. Cl. .... D19/36; D19/42; D19/49; D19/48; D10/71

[58] Field of Search ..... D19/35, 36, 41-51, D19/53-58, 81-85; 401/52, 88, 195; D10/62, 71; 33/483, 484, 485, 494; 7/160, 163

## [56] References Cited

### U.S. PATENT DOCUMENTS

60,315	12/1866	Worcester .	
D. 104,498	5/1937	MacDonald .....	D10/62
D. 119,263	3/1940	Harris .....	D19/49
140,842	7/1873	Rembert .	
D. 177,697	5/1956	Salm et al. ....	D10/62
206,410	6/1878	Adler .....	33/485 X
D. 258,911	4/1981	Sandel .....	D10/71 X
D. 286,646	11/1986	Mori .	
D. 301,043	5/1989	Castle .	
372,673	11/1887	Hamilton, Jr. ....	33/485 X
D. 375,759	11/1996	Piscatelli .	
D. 389,519	1/1998	Duford .....	D19/49
569,038	10/1896	Dow .....	7/160 X
575,671	1/1897	Watts et al. .	
918,599	4/1909	Samsonoff .....	33/485
1,505,264	8/1924	Hilmerson .	
1,607,097	11/1926	Murphy .	
1,806,849	5/1931	Gelardi .	
2,251,640	8/1941	Skrainka .	
2,693,910	11/1954	Oleson .....	D19/36 X
3,764,064	10/1973	Gaidos et al. ....	401/52 X
4,403,418	9/1983	Vagias .	

### FOREIGN PATENT DOCUMENTS

70864 1/1916 Austria .

## OTHER PUBLICATIONS

Koh-I-noor Pencil Co., Inc. Bloomsbury, N.J. Catalog #59—see p. 30 middle pen, right of page, Sep. 1960.

Primary Examiner—Martie K. Holtje  
Attorney, Agent, or Firm—Palmer C. DeMeo

## [57] CLAIM

The ornamental design for a combined carpenter's pencil and ruler, as shown and described.

## DESCRIPTION

FIG. 1 is a perspective view of a combined carpenter's pencil and ruler showing a first embodiment of my invention;

FIG. 2 is a front elevational view thereof;

FIG. 3 is a rear elevational view thereof;

FIG. 4 is a left end elevational view thereof;

FIG. 5 is a right end elevational view thereof;

FIG. 6 is a top plan view of FIG. 1;

FIG. 7 is a bottom plan view of FIG. 1;

FIG. 8 is a rear elevational view of a combined carpenter's pencil and ruler of a second embodiment of my new design; the front elevational view, the left end elevational view, the right end elevational view, the top plan view and the bottom plan view are mirror images of FIG. 2, FIG. 4, FIG. 5, FIG. 6 and FIG. 7, respectively;

FIG. 9 is a perspective view of a combined carpenter's pencil and ruler showing a third embodiment of my new design;

FIG. 10 is a front elevational view of FIG. 9;

FIG. 11 is a rear elevational view of FIG. 9;

FIG. 12 is a left end elevational view of FIG. 9;

FIG. 13 is right end elevational view of FIG. 9;

FIG. 14 is a top plan view of FIG. 9;

FIG. 15 is a bottom plan view of FIG. 9; and,

FIG. 16 is a rear elevational view of a combined carpenter's pencil and ruler of a fourth embodiment of my new design; the front elevational view, the left end elevational view, the right end elevational view, the top plan view and the bottom plan view are mirror images of FIG. 10, FIG. 12, FIG. 13, FIG. 14 and FIG. 15, respectively.

1 Claim, 2 Drawing Sheets

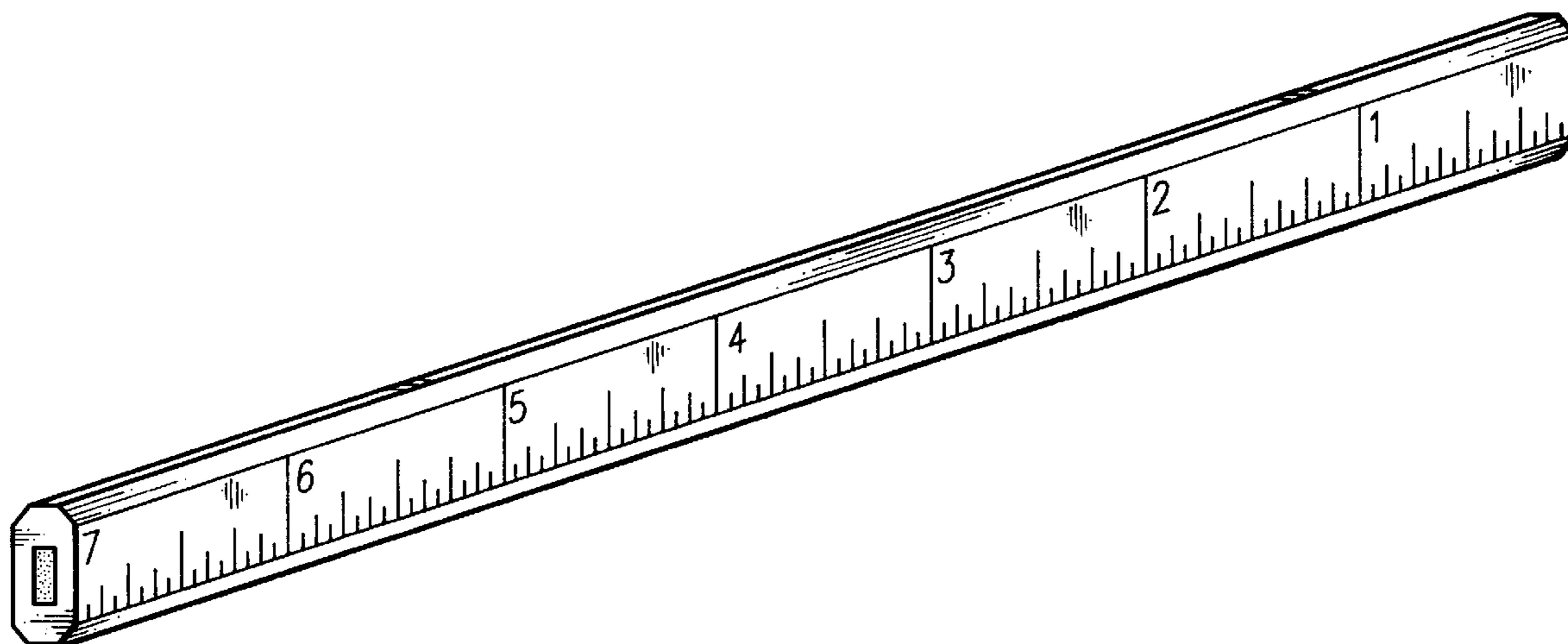


FIG. 1

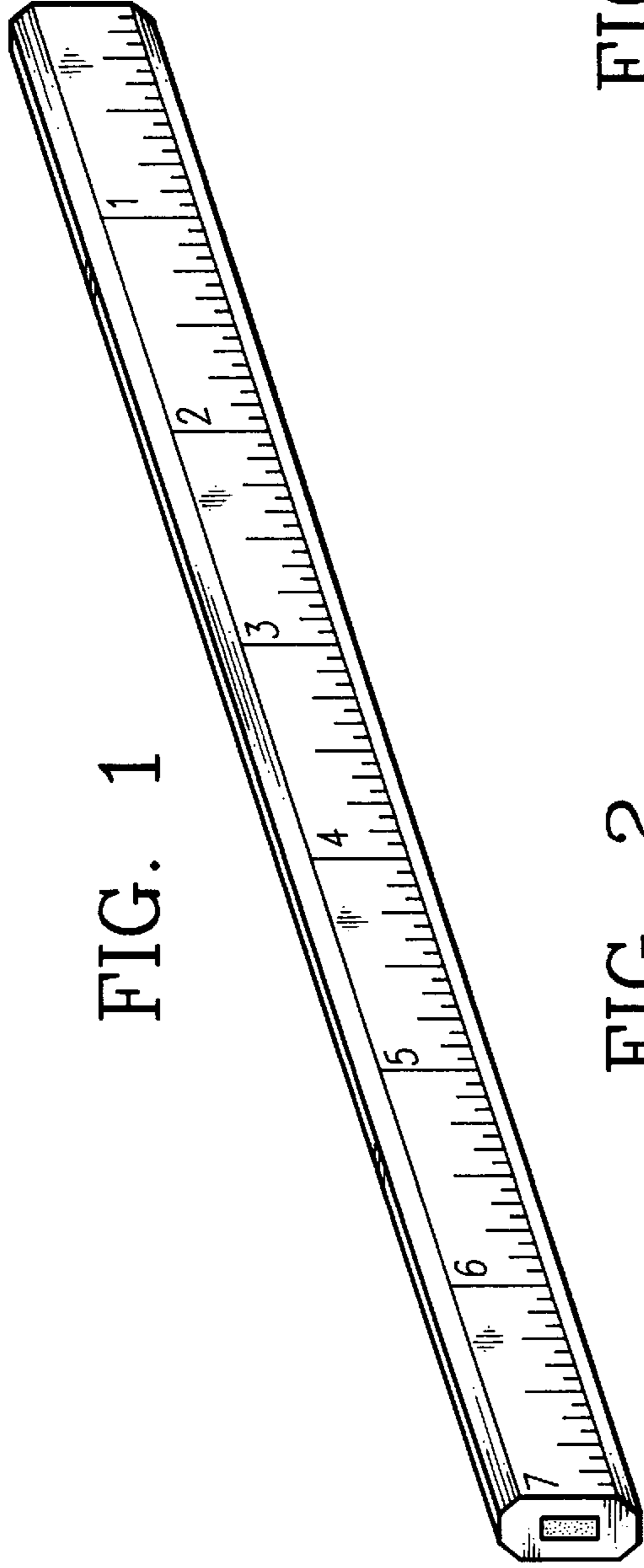


FIG. 5



FIG. 2

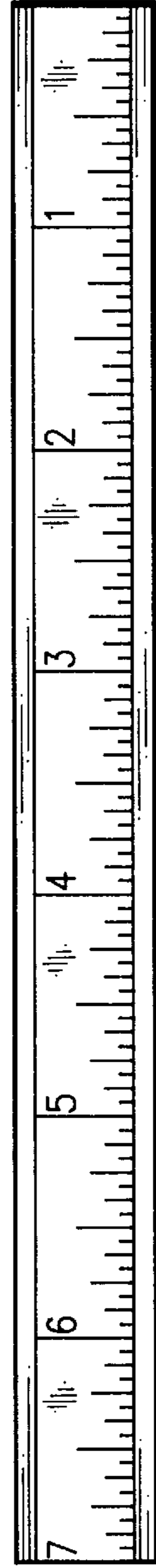


FIG. 4



FIG. 3

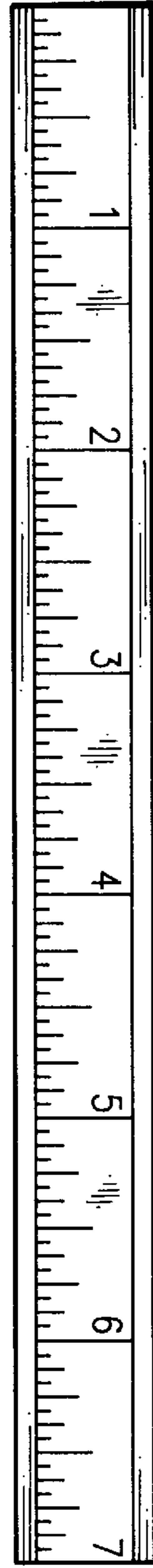


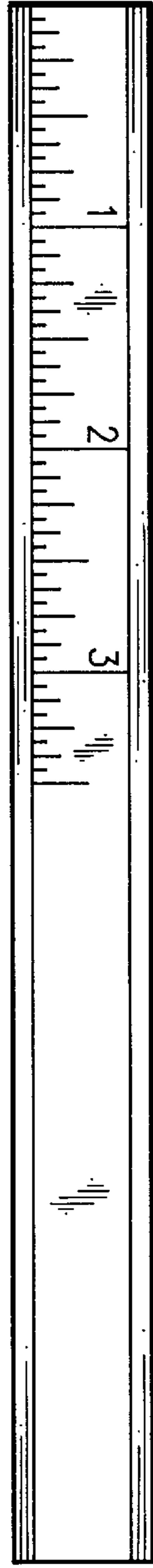
FIG. 6



FIG. 7



FIG. 8



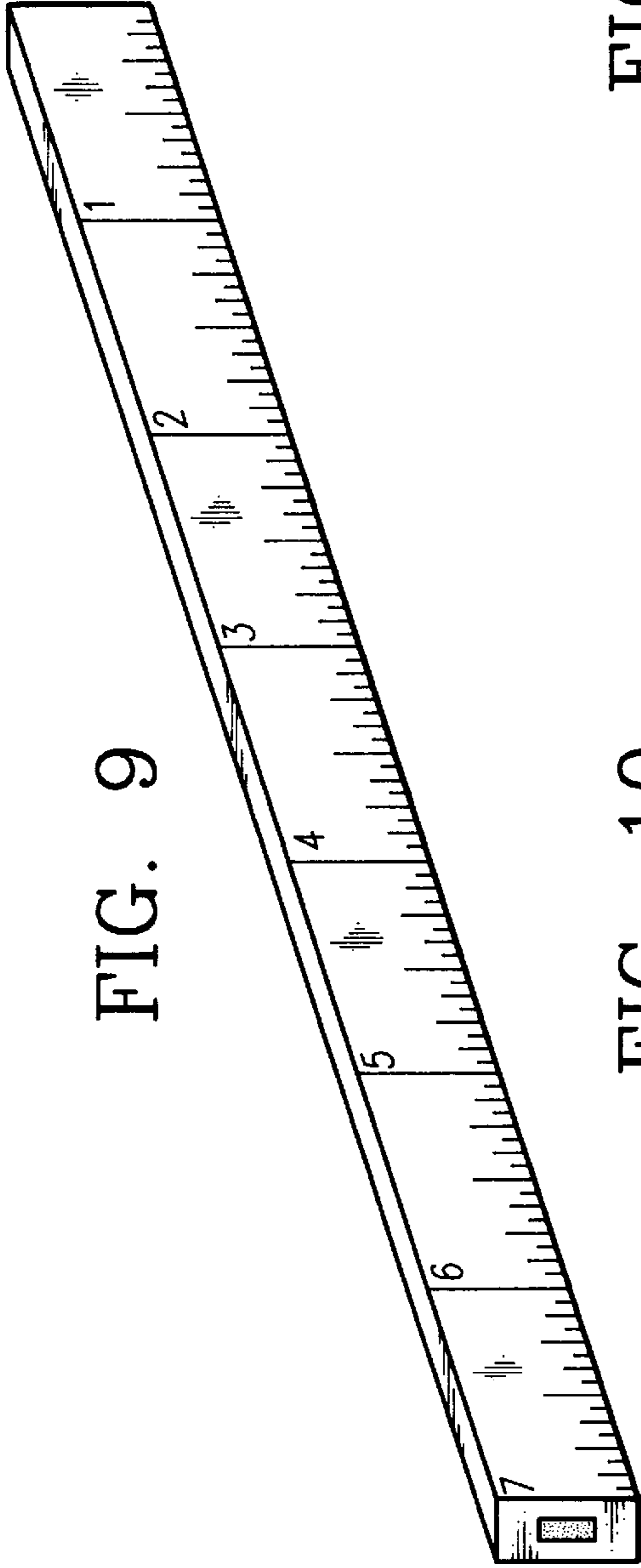


FIG. 9

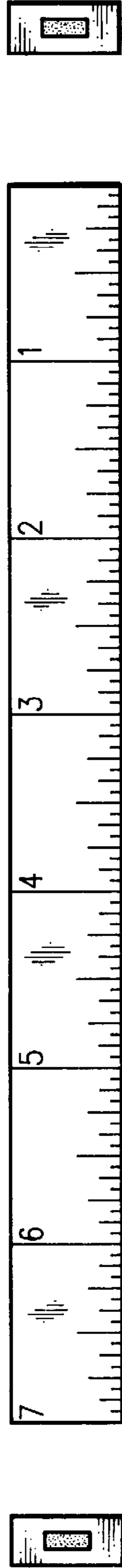


FIG. 13

FIG. 10

FIG. 12

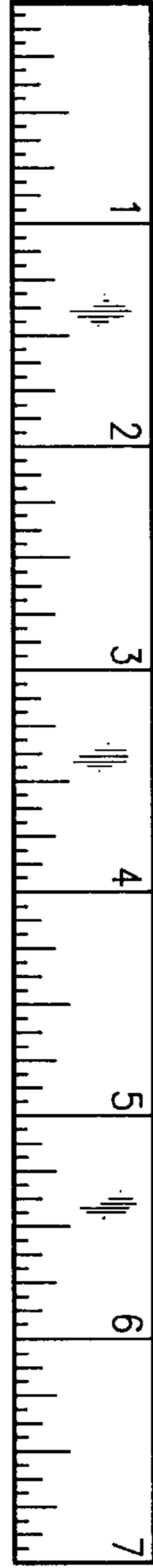


FIG. 11



FIG. 14



FIG. 15

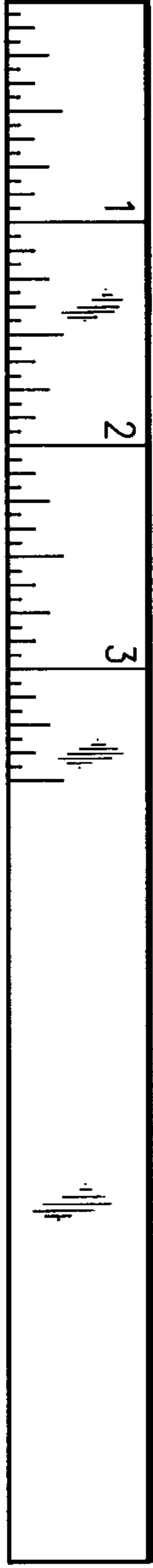


FIG. 16