



US00D422307S

United States Patent [19] Whaley

[11] Patent Number: **Des. 422,307**

[45] Date of Patent: **** Apr. 4, 2000**

[54] **PLATFORM EYELET FOR RING BINDER**

[76] Inventor: **Paul Whaley**, 245 Reservoir La.,
Herculaneum, Mo. 63048

[**] Term: **14 Years**

[21] Appl. No.: **29/086,577**

[22] Filed: **Apr. 15, 1998**

[51] **LOC (6) Cl.** **19-04**

[52] **U.S. Cl.** **D19/32; D19/27**

[58] **Field of Search** D19/26, 27, 32,
D19/65, 99, 100; D8/388, 382, 389, 386,
499; 281/27.1-27.3; 402/36-38, 26, 32,
27, 64, 70, 73, 75, 76, 80 R, 502; 411/468,
338, 457-460, 466, 456

[56] **References Cited**

U.S. PATENT DOCUMENTS

1,975,971	10/1934	Nothnagel	411/338
2,891,554	6/1959	Foster	402/64
3,039,471	6/1962	Church	402/75 X
3,083,714	4/1963	Foster	402/64
4,990,017	2/1991	Rotherham	402/75

5,158,387	10/1992	Davies	402/76
5,169,209	12/1992	Schuessler	.
5,269,616	12/1993	O'Neill	.
5,354,142	10/1994	Yu	.
5,882,135	3/1999	Ko	402/36

Primary Examiner—Martie K. Holtje
Attorney, Agent, or Firm—Polster, Lieder Woodruff &
Lucchesi, L.C.

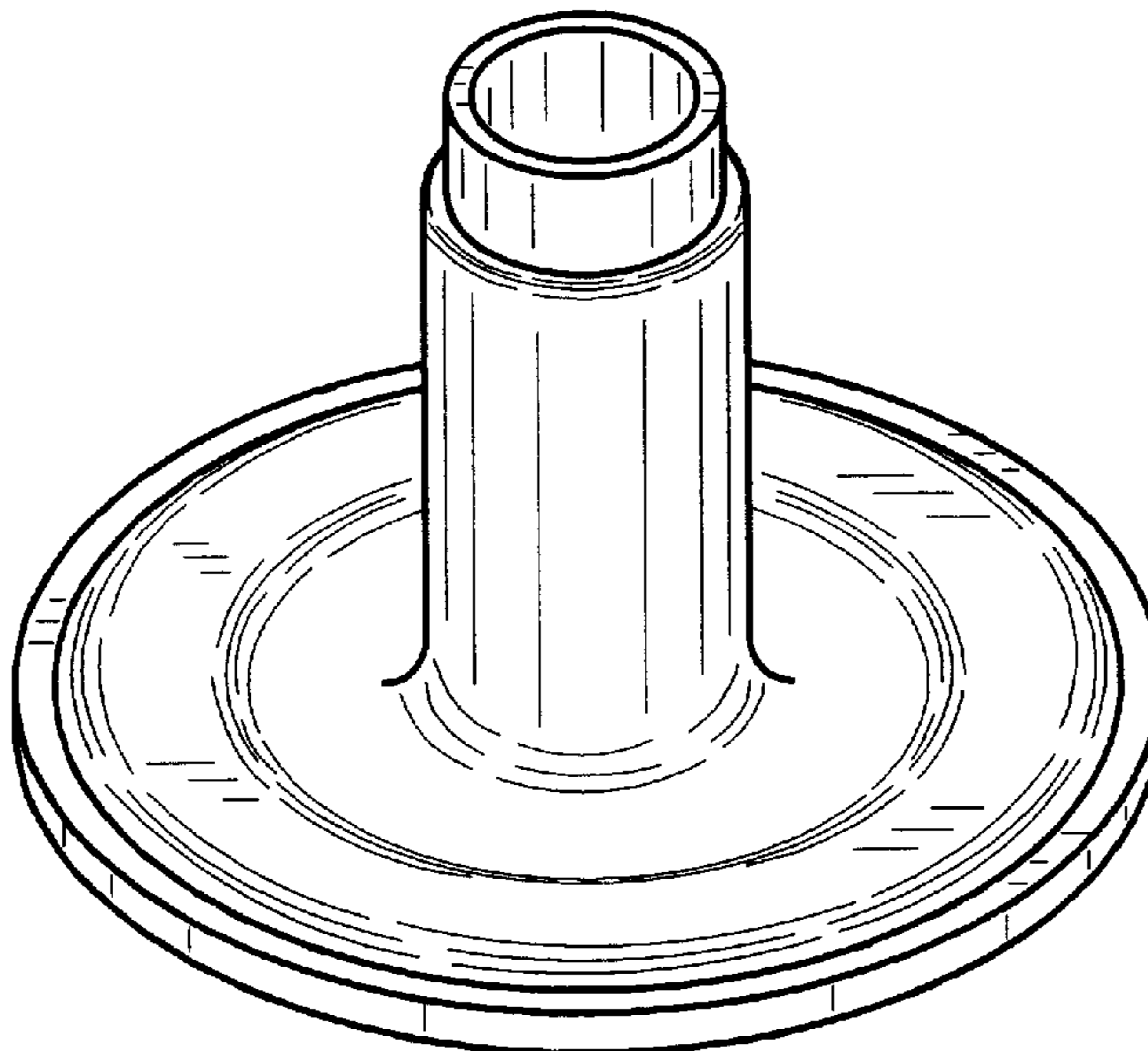
[57] **CLAIM**

The ornamental design for platform eyelet for ring binder, as shown and described.

DESCRIPTION

FIG. 1 is a perspective view of a platform eyelet for ring binder showing my new design, the ring binding structure and the binder cover depicted by means of broken lines have been shown for illustrative purposes only and form no part of the claimed design;
FIG. 2 is a second perspective view;
FIG. 3 is a top plan view;
FIG. 4 is a bottom plan view; and,
FIG. 5 is a side elevational view thereof.

1 Claim, 2 Drawing Sheets



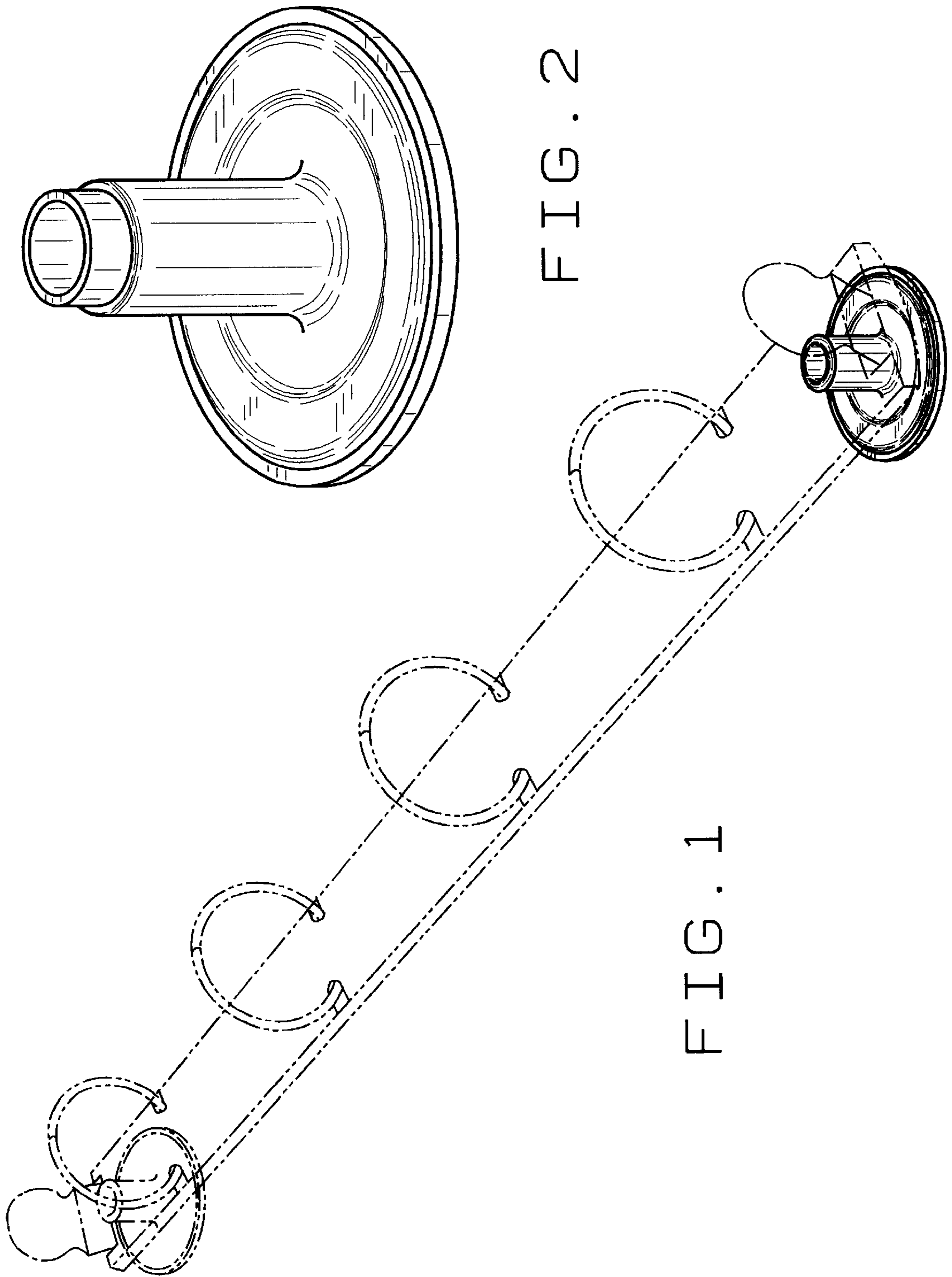


FIG. 2

FIG. 1

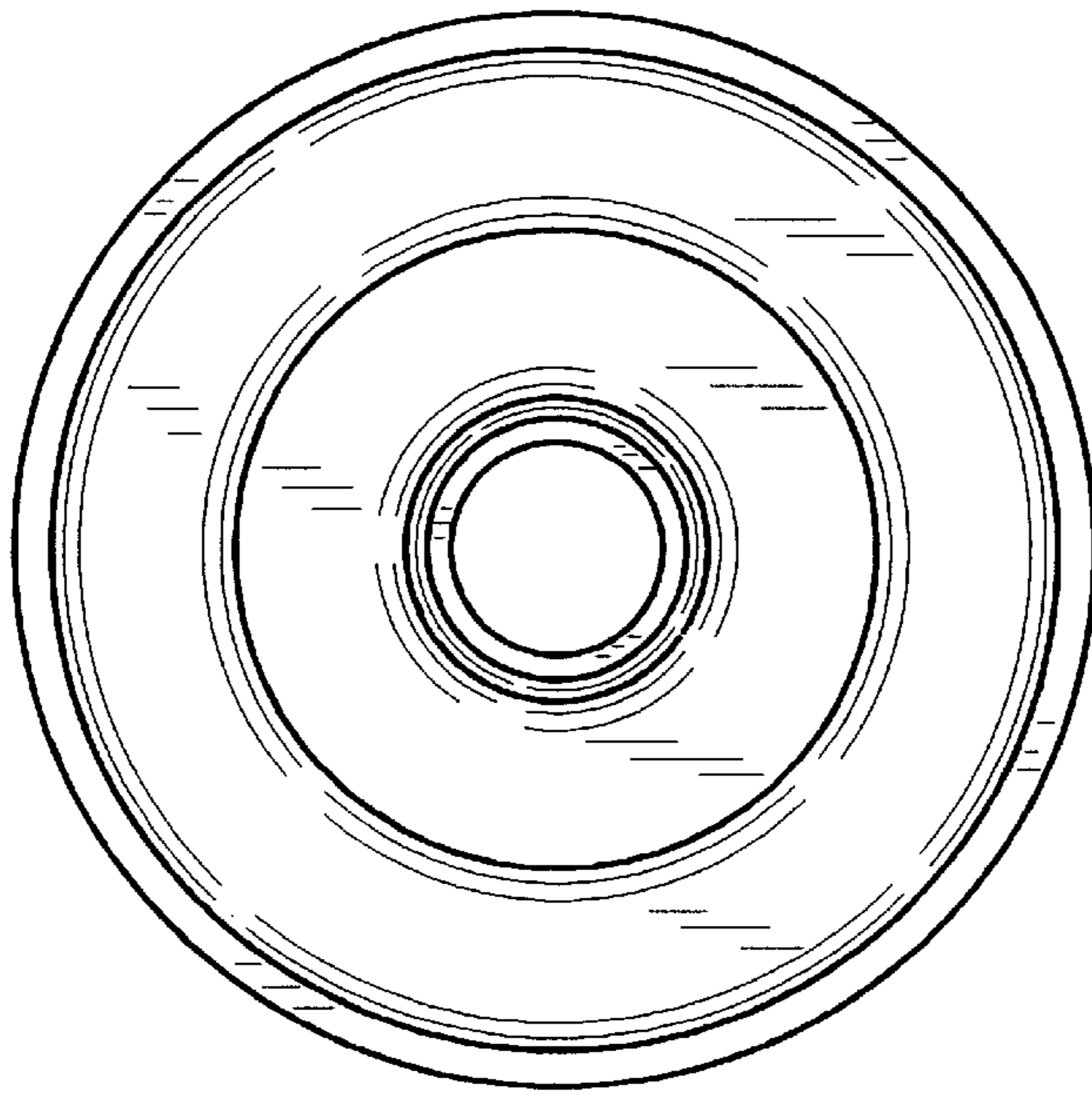


FIG. 3

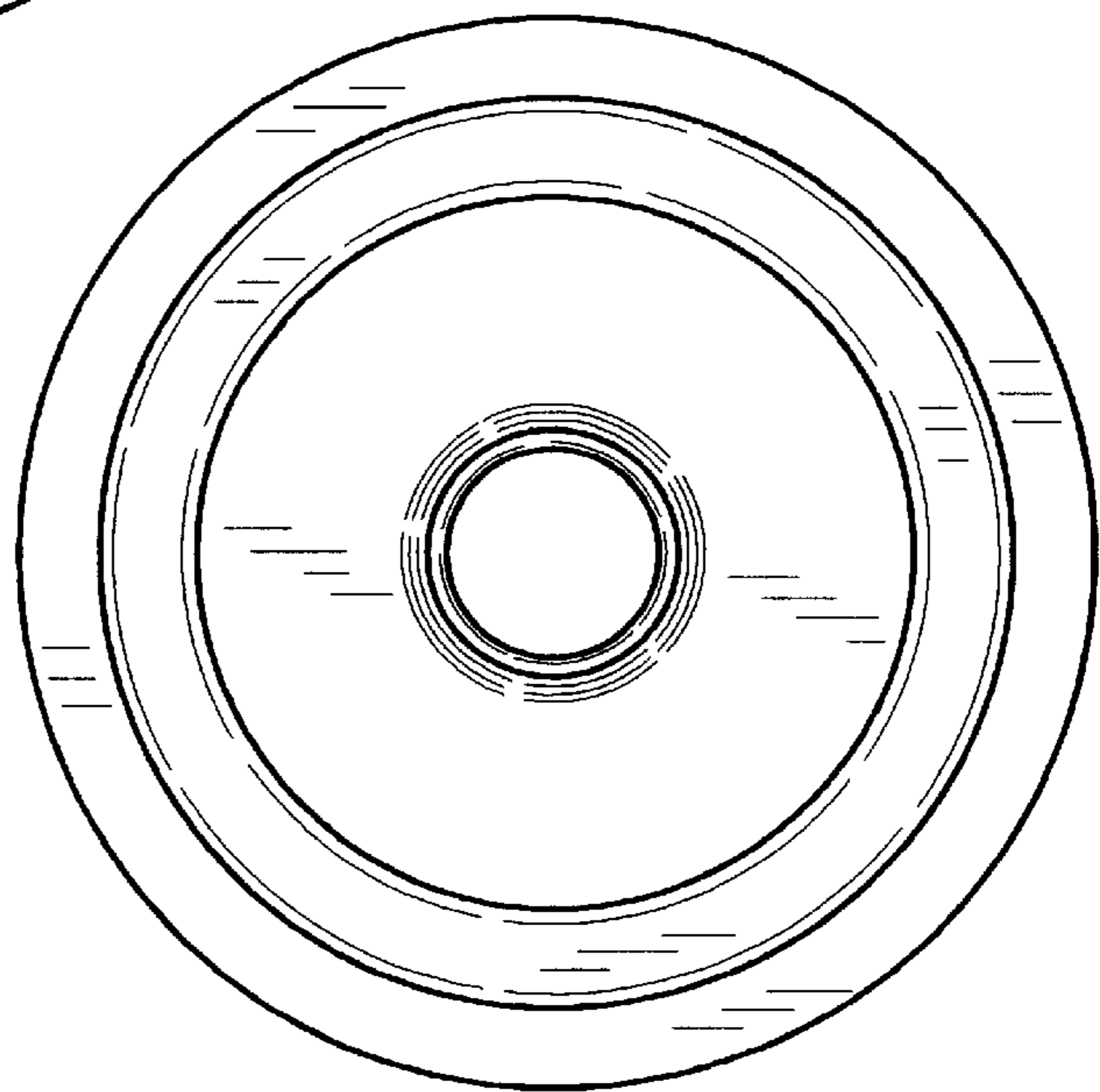


FIG. 4

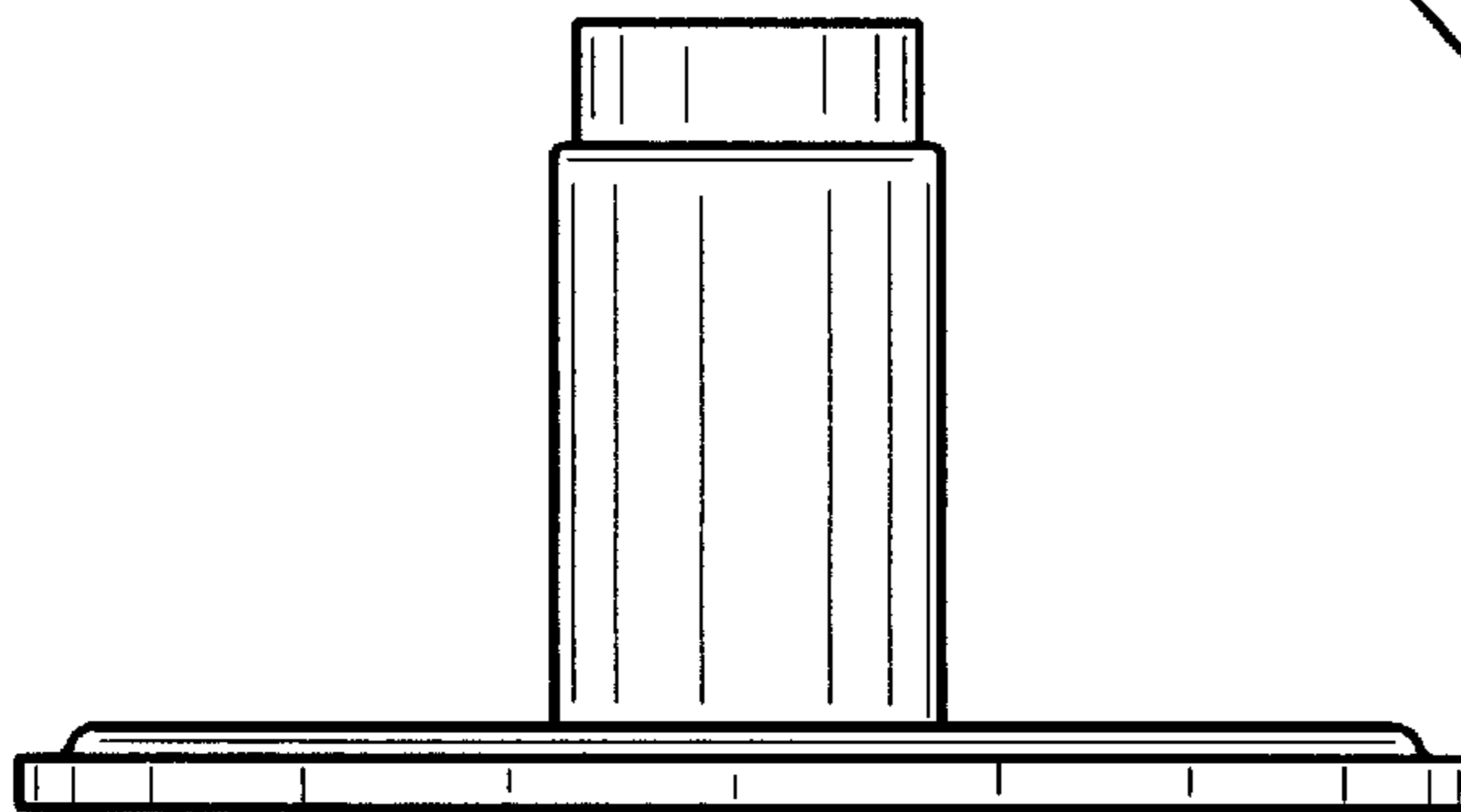


FIG. 5