



US00D422306S

United States Patent [19]

[11] Patent Number: Des. 422,306

Gasvoda et al.

[45] Date of Patent: ** Apr. 4, 2000

[54] END CAP FOR AN INK CONTAINER

5,734,401	3/1998	Clark et al.	347/86
5,825,387	10/1998	Cowger et al.	347/86
5,856,839	1/1999	Aukstikalnis et al.	347/86
5,856,840	1/1999	Barinaga et al.	347/86

[75] Inventors: Eric L. Gasvoda, Salem; Susan M. Hmelar, Corvallis, both of Oreg.

[73] Assignee: Hewlett-Packard Company, Palo Alto, Calif.

[**] Term: 14 Years

[21] Appl. No.: 29/086,322

[22] Filed: Apr. 9, 1998

Related U.S. Application Data

[63] Continuation-in-part of application No. 08/566,521, Dec. 4, 1995, abandoned, application No. 08/868,773, Jun. 4, 1997, abandoned, and application No. 29/055,382, Jun. 5, 1996.

[51] LOC (6) Cl. 18-02

[52] U.S. Cl. D18/56; 347/86

[58] Field of Search D18/56; 347/86, 347/88

[56] References Cited

U.S. PATENT DOCUMENTS

4,131,899	12/1978	Christou	347/87
4,551,734	11/1985	Causley et al.	347/86
4,568,954	2/1986	Rosback	347/86
4,959,667	9/1990	Kaplinsky	347/87
5,216,452	6/1993	Suzuki	347/86
5,477,963	12/1995	Mochizuki et al.	347/86
5,541,631	7/1996	Hasimoto	347/86
5,583,545	12/1996	Pawlowski, Jr. et al.	347/86
5,629,728	5/1997	Karita et al.	347/87
5,646,664	7/1997	Pawlowski, Jr.	347/86

FOREIGN PATENT DOCUMENTS

360219061	11/1985	Japan	347/86
362261451	11/1987	Japan	347/86
402000514	1/1990	Japan	347/87
402243351	9/1990	Japan	347/86
000649429	8/1991	Japan	347/86
403184873	8/1991	Japan	347/86
403248848	11/1991	Japan	347/86
000560266	9/1993	Japan	347/87
406218941	8/1994	Japan	347/86

Primary Examiner—Cathy Anne MacCormac
Attorney, Agent, or Firm—Kevin B. Sullivan

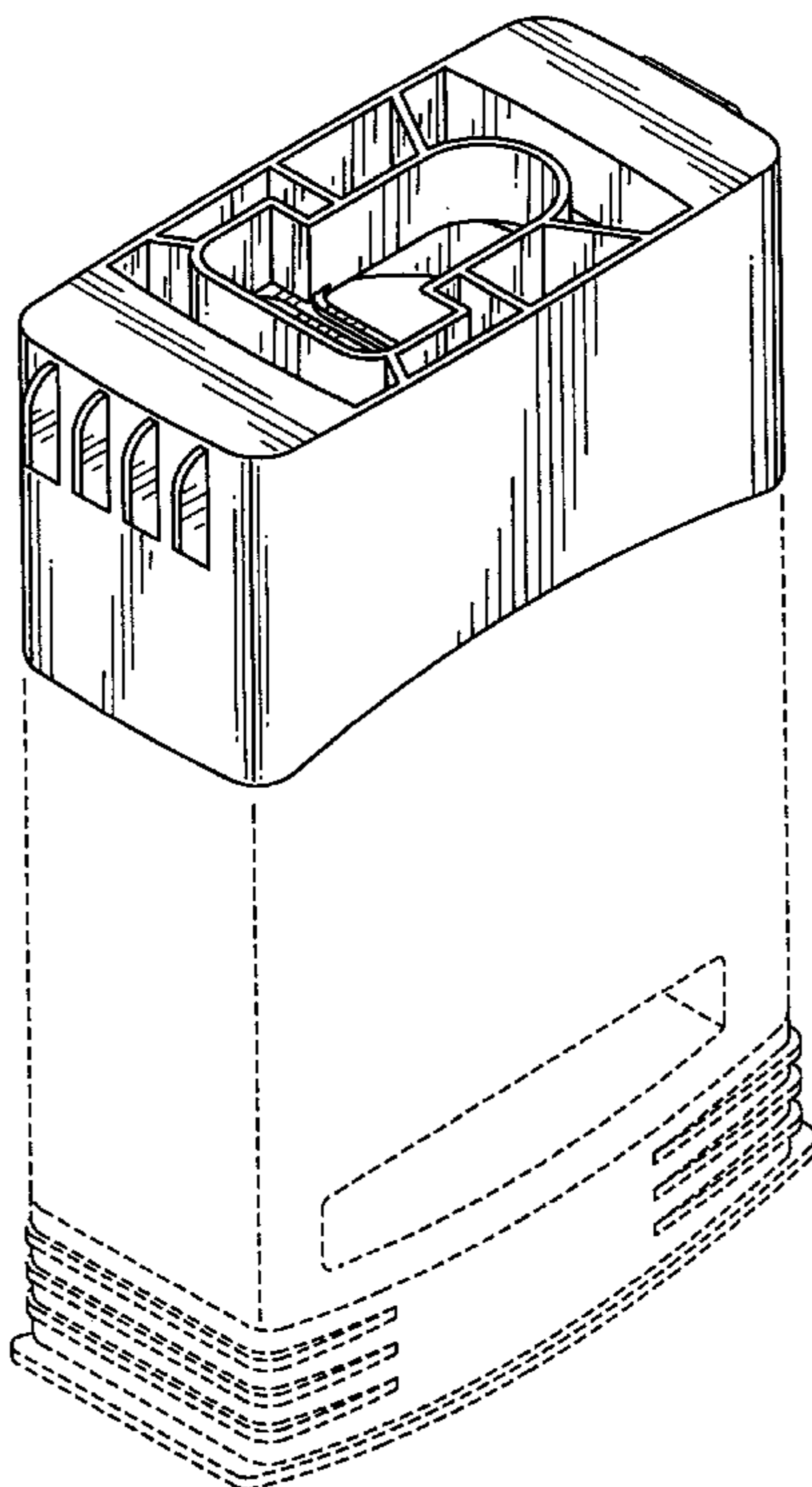
[57] CLAIM

We claim the ornamental design for an end cap for an ink container, as shown and described.

DESCRIPTION

FIG. 1 is a top, front, and left side perspective view of an end cap for an ink container showing our new design;
 FIG. 2 is a front elevational view thereof, the rear being a mirror image;
 FIG. 3 is a left side elevational view thereof;
 FIG. 4 is a right side elevational view thereof;
 FIG. 5 is a bottom plan view thereof; and,
 FIG. 6 is a bottom plan view thereof.
 The broken lines in FIG. 1 are for purposes of illustration only and form no part of the claimed design.

1 Claim, 2 Drawing Sheets



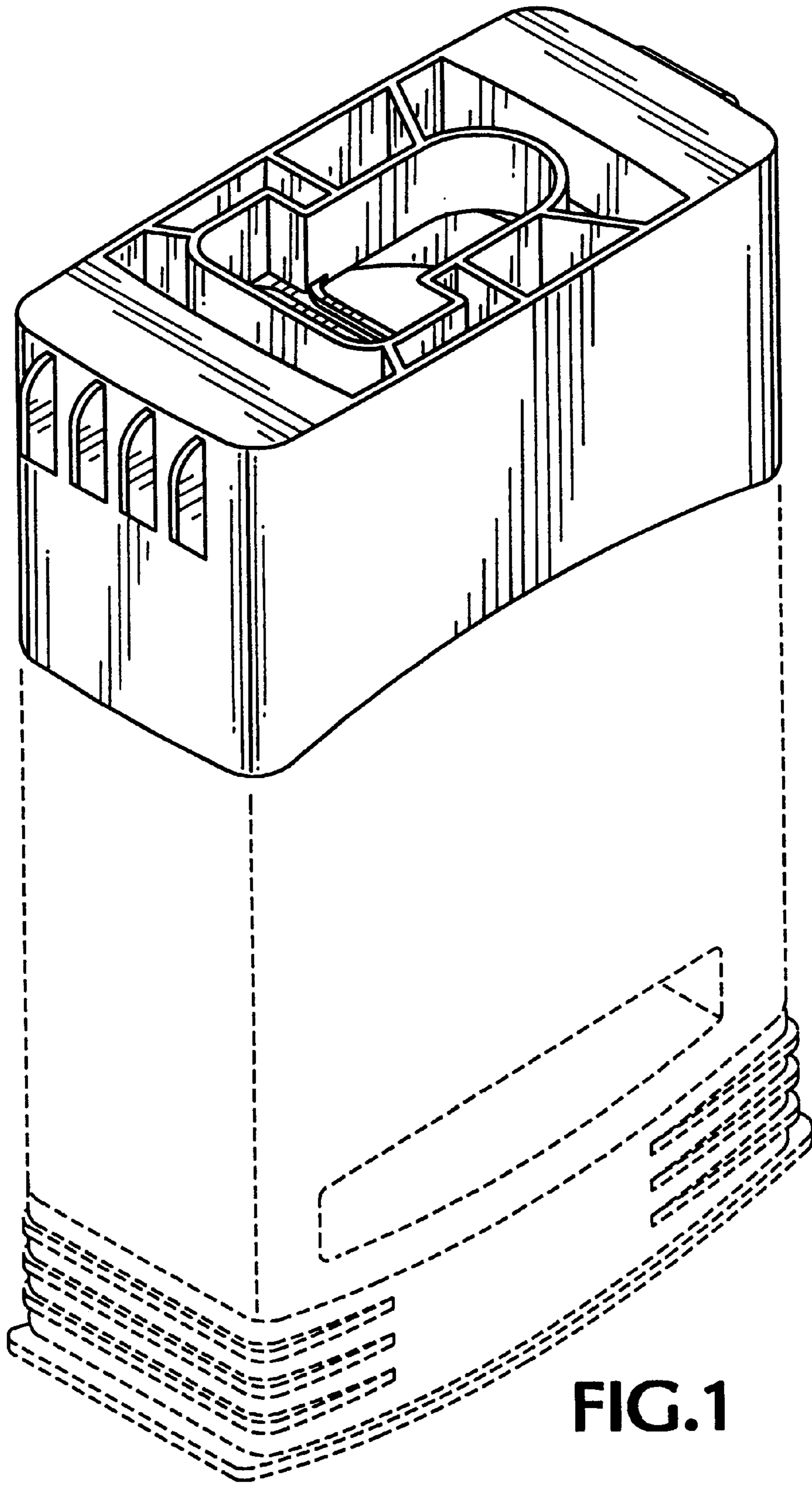


FIG.1

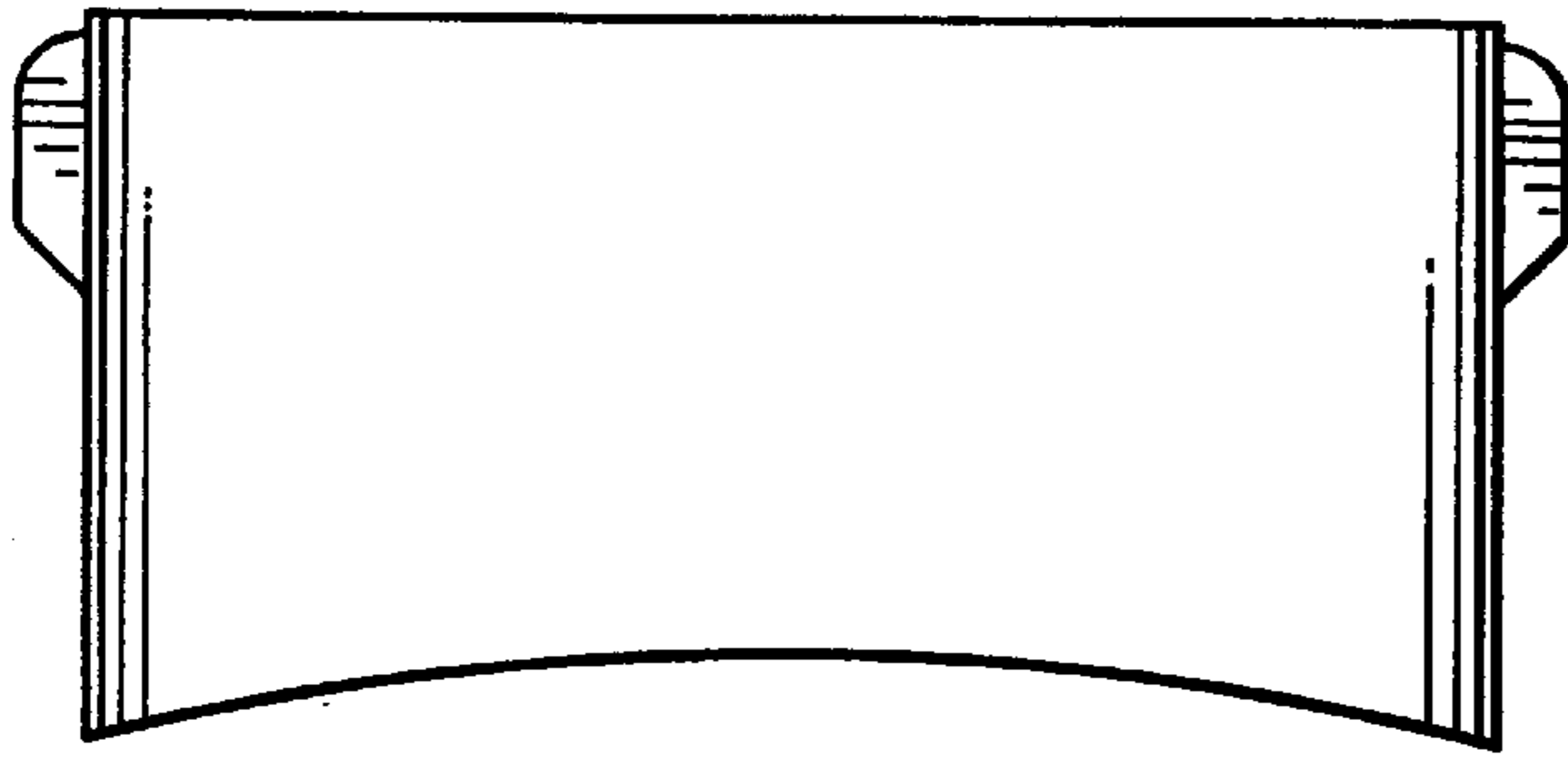


FIG. 2

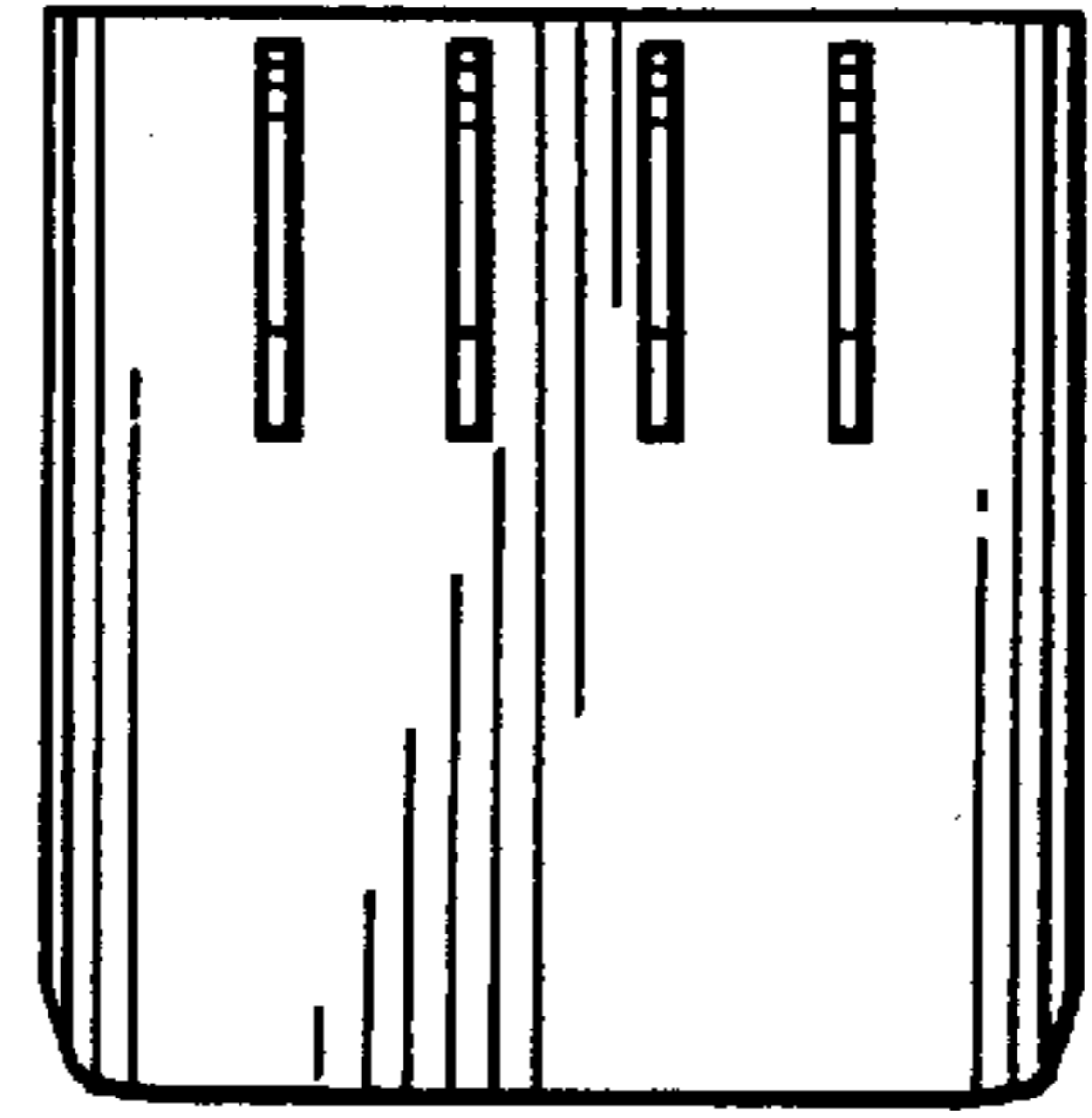


FIG. 3

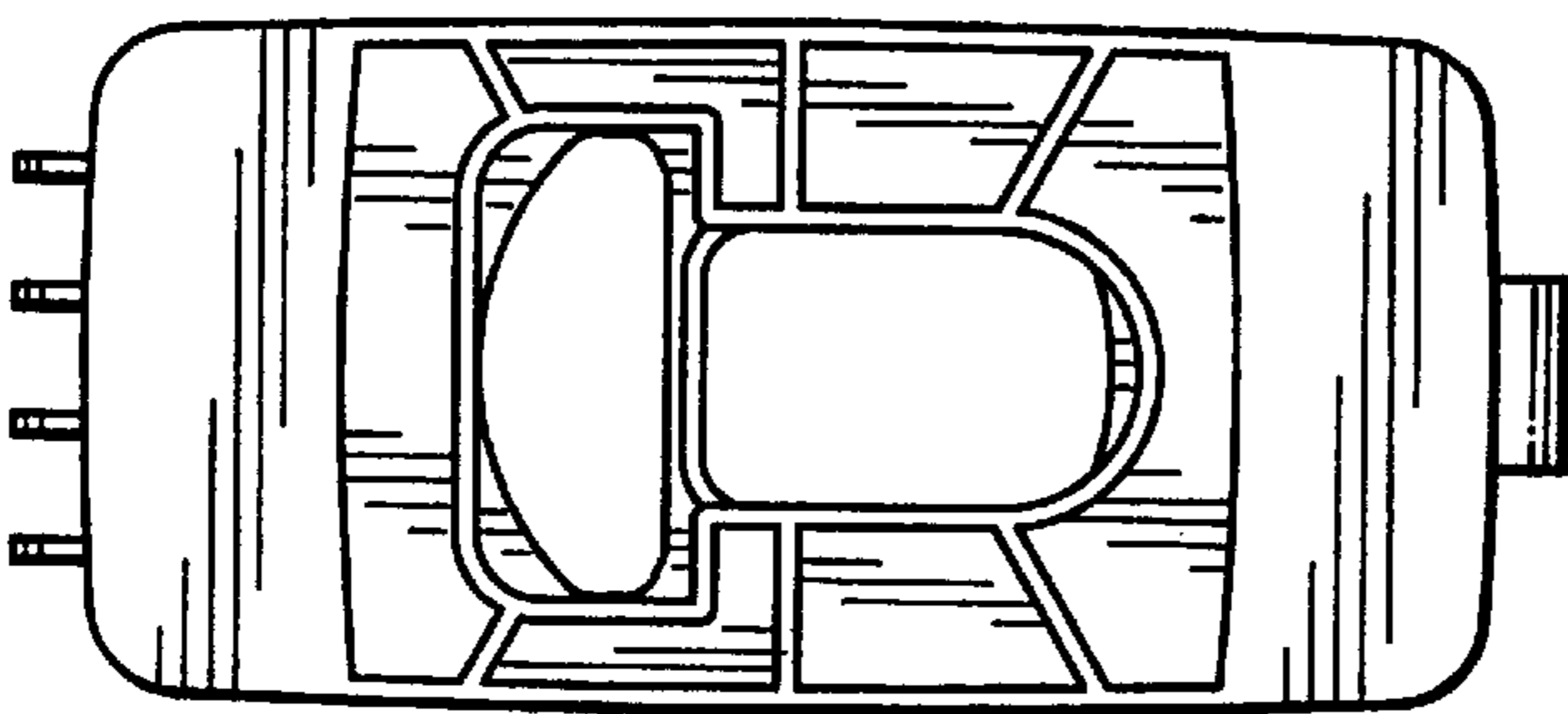


FIG. 5

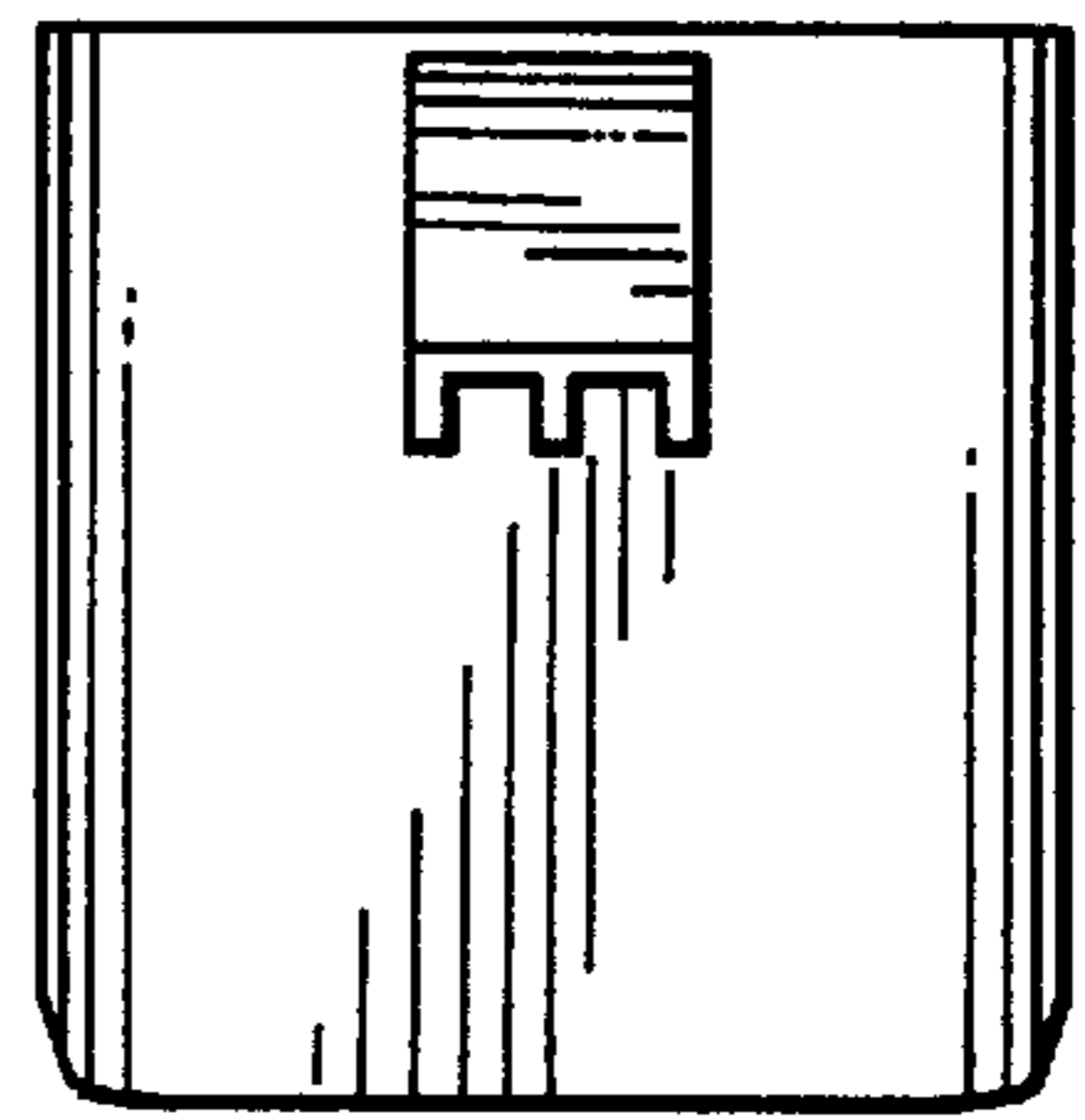


FIG. 4

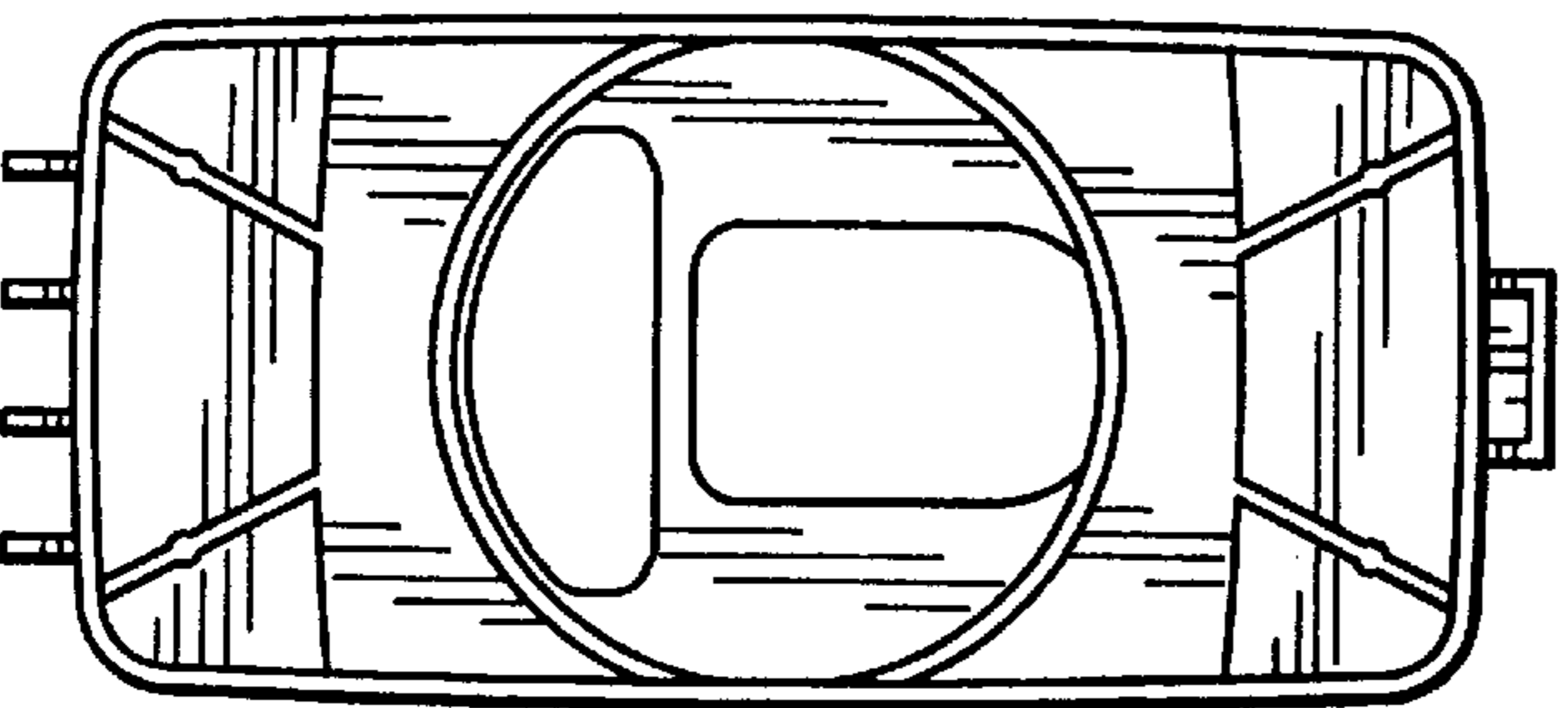


FIG. 6