



US00D422305S

United States Patent [19]

[11] Patent Number: Des. 422,305

Klein et al.

[45] Date of Patent: ** Apr. 4, 2000

[54] ADDRESSING PRINTER

[75] Inventors: **Charles W. Klein**, Stratford; **Joseph B. Sugrue**, Fairfield, both of Conn.

[73] Assignee: **Pitney Bowes Inc.**, Stamford, Conn.

[**] Term: **14 Years**

[21] Appl. No.: **29/102,768**

[22] Filed: **Mar. 31, 1999**

[51] LOC (6) Cl. **14-02**

[52] U.S. Cl. **D18/55**

[58] Field of Search D18/50, 54-55,
D18/36-37; 400/691-694, 690.1-690.4,
613, 613.1-613.4

D. 373,380	9/1996	Dwyer et al.	D18/55
D. 378,757	4/1997	Dubson	D18/55
D. 378,926	4/1997	Dubson	D18/50
D. 382,894	8/1997	Berriman et al.	D18/55
D. 399,251	10/1998	McGlashan	D18/55
D. 400,572	11/1998	Sekine et al.	D18/54
D. 404,066	1/1999	Sakata	D18/54
D. 406,273	3/1999	Dwyer et al.	D18/55
4,664,544	5/1987	Miyako et al.	400/693
5,150,130	9/1992	Sato	400/690.4

Primary Examiner—Cathy Anne MacCormac
Attorney, Agent, or Firm—Charles R. Malandra, Jr.;
Michael E. Melton

[57] CLAIM

The ornamental design for a an addressing printer, as shown and described.

[56] References Cited

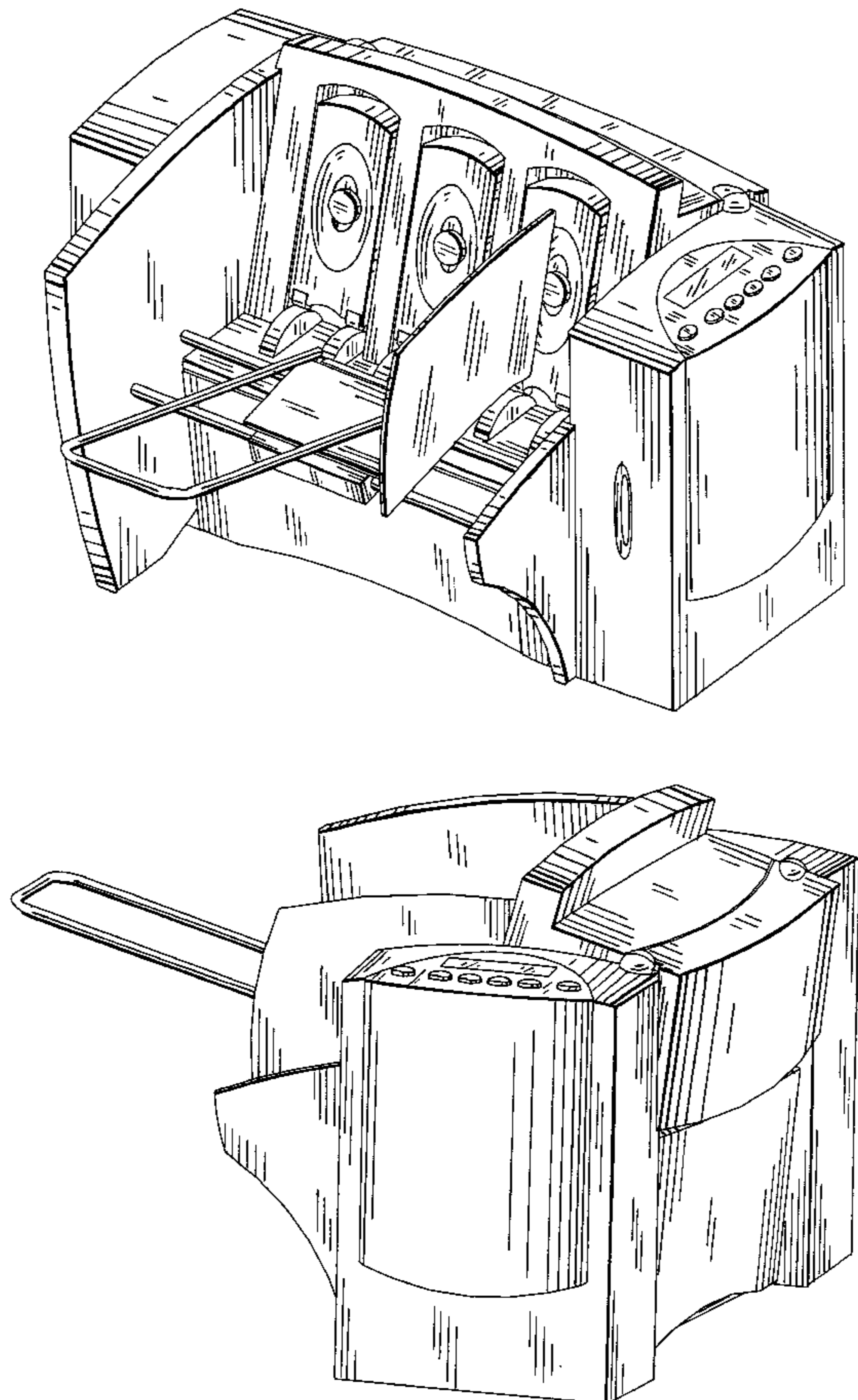
U.S. PATENT DOCUMENTS

D. 232,194	7/1974	Conway et al.	D18/54
D. 248,418	7/1978	Fossella et al.	D18/55
D. 257,153	9/1980	Woods et al.	D18/51
D. 280,211	8/1985	Overman et al.	D18/55
D. 285,566	9/1986	Hayashi	D18/54
D. 287,729	1/1987	Pangburn	D18/54
D. 295,856	5/1988	Hara	D18/54
D. 348,899	7/1994	Masujima et al.	D18/55
D. 361,780	8/1995	Jenkins	D18/51
D. 363,924	11/1995	Ueda et al.	D18/50

DESCRIPTION

FIG. 1 is a top, front and left side perspective view of a an addressing printer in accordance with the new design;
FIG. 2 is a top, front and right side perspective view thereof;
FIG. 3 is a front view thereof;
FIG. 4 is a left side view thereof;
FIG. 5 is a top plan view thereof;
FIG. 6 is a right side view thereof; and,
FIG. 7 is a rear view thereof.

1 Claim, 7 Drawing Sheets



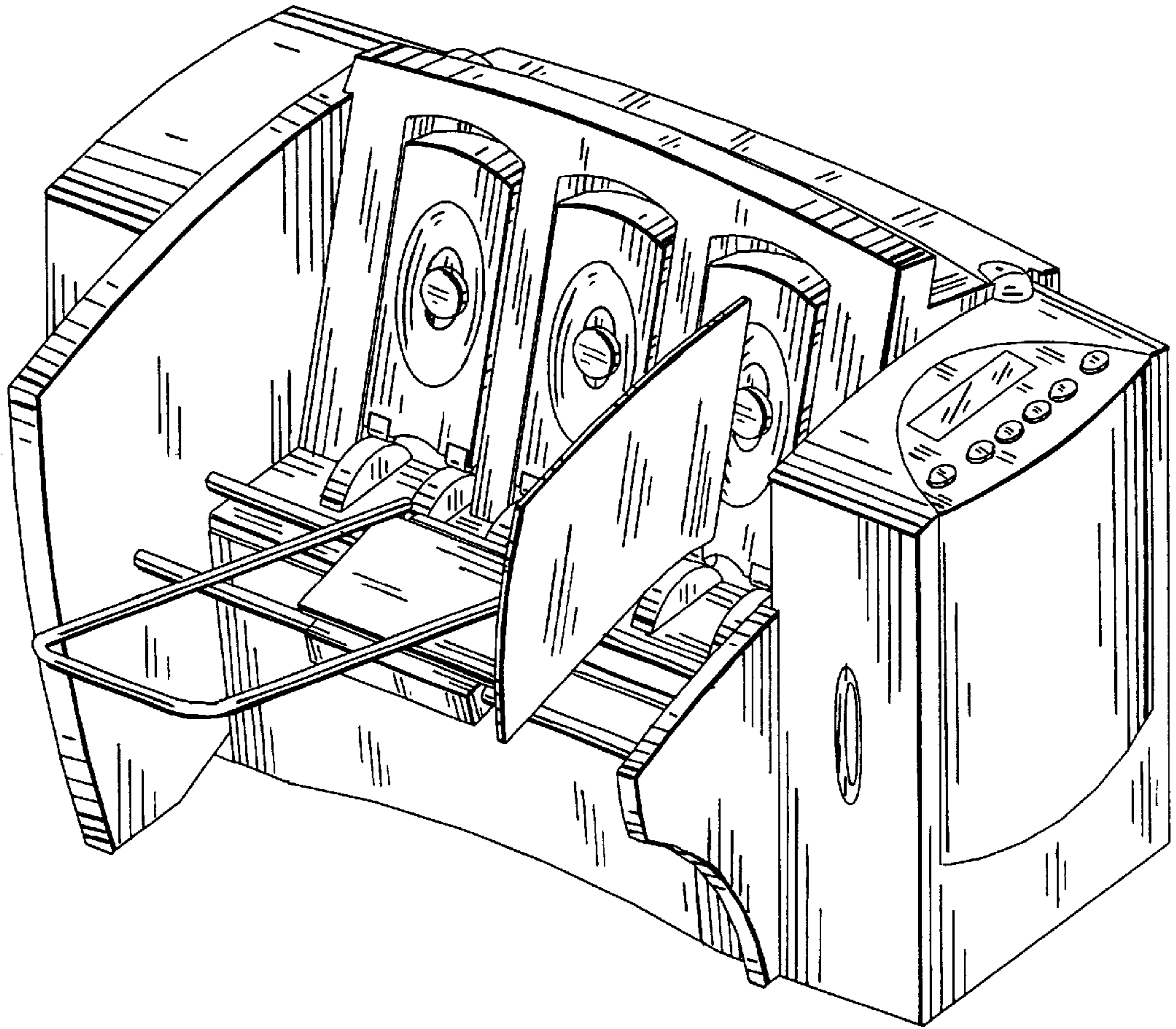


FIG . 1

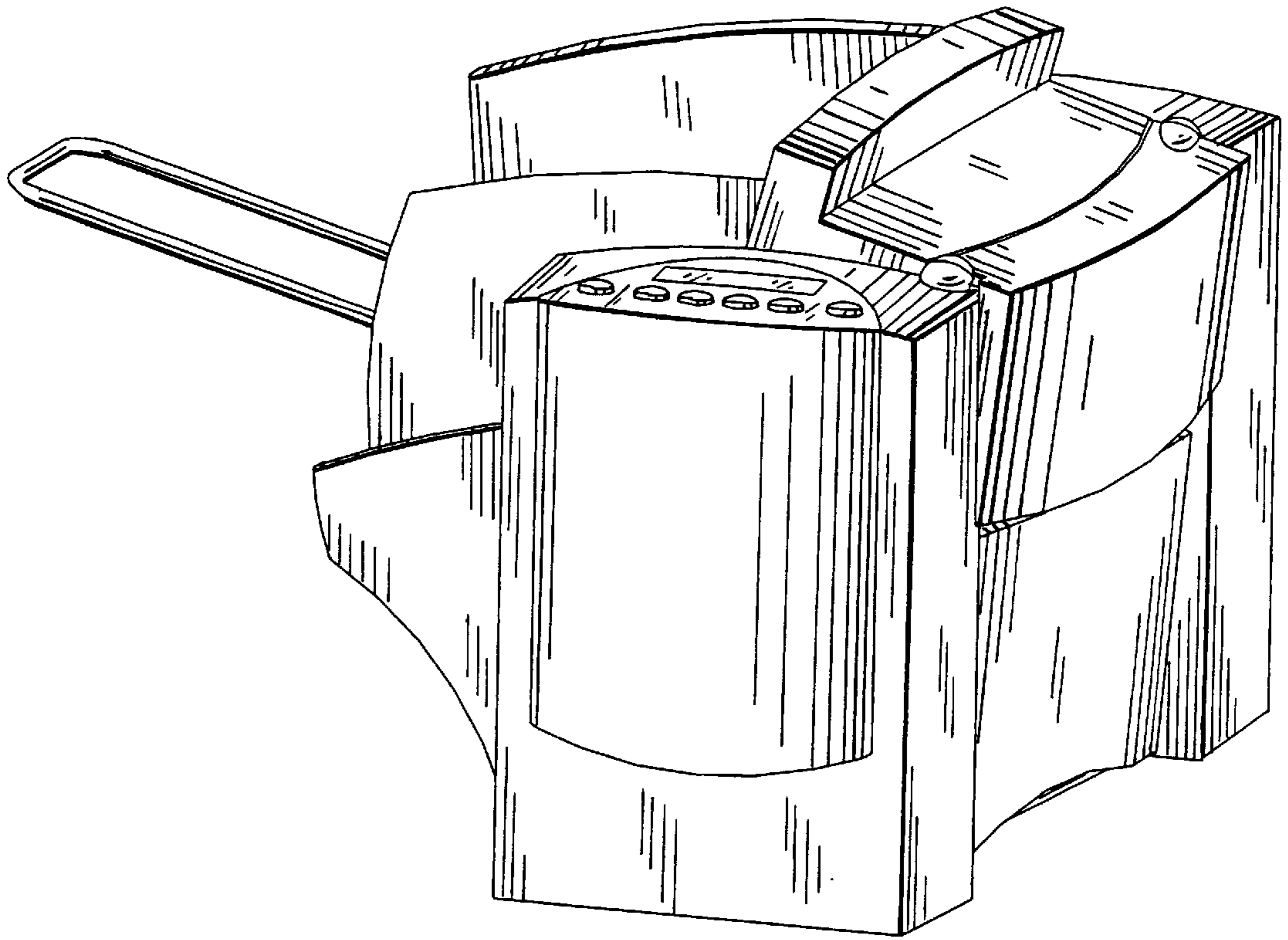


FIG . 2

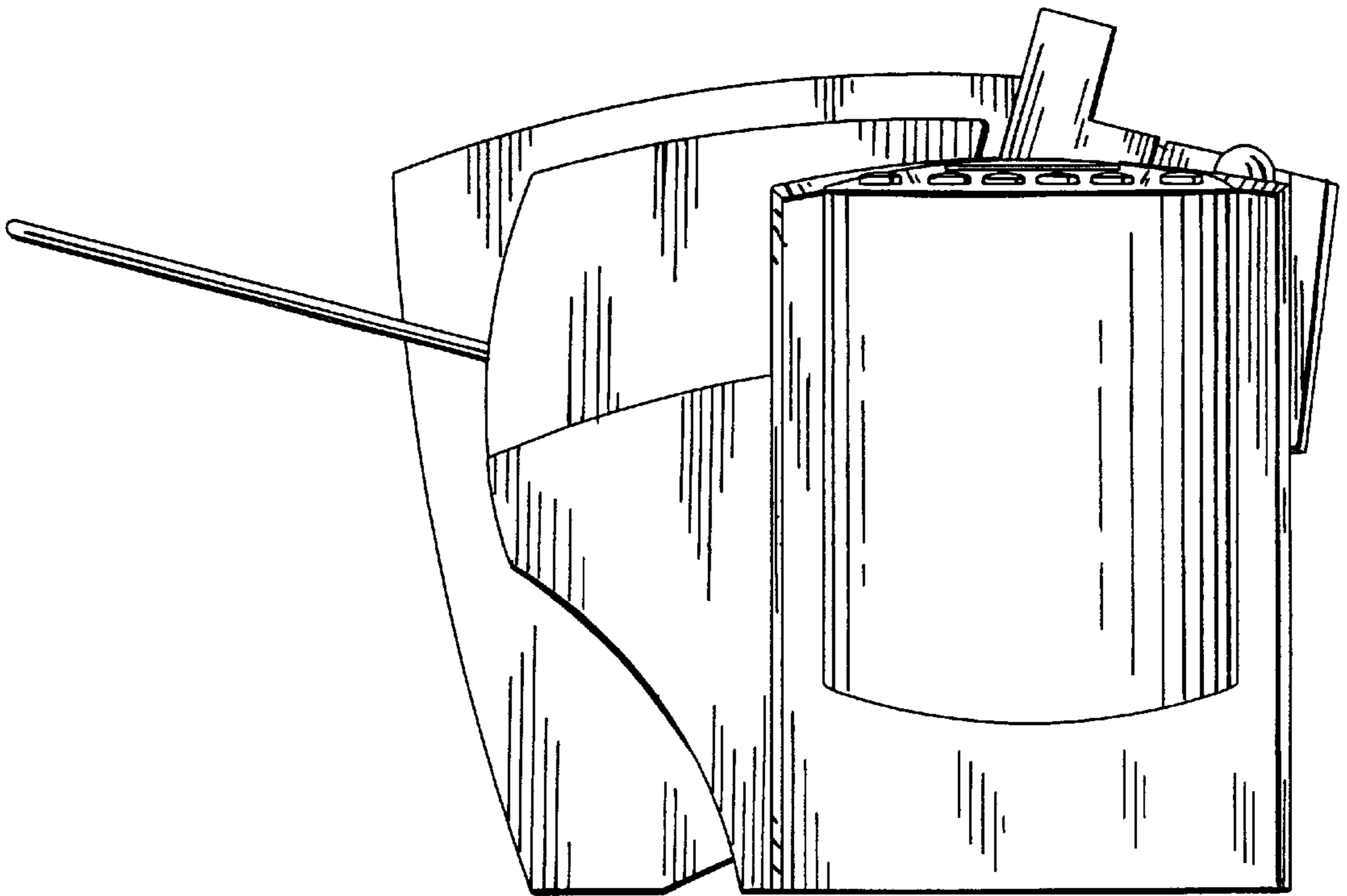


FIG .3

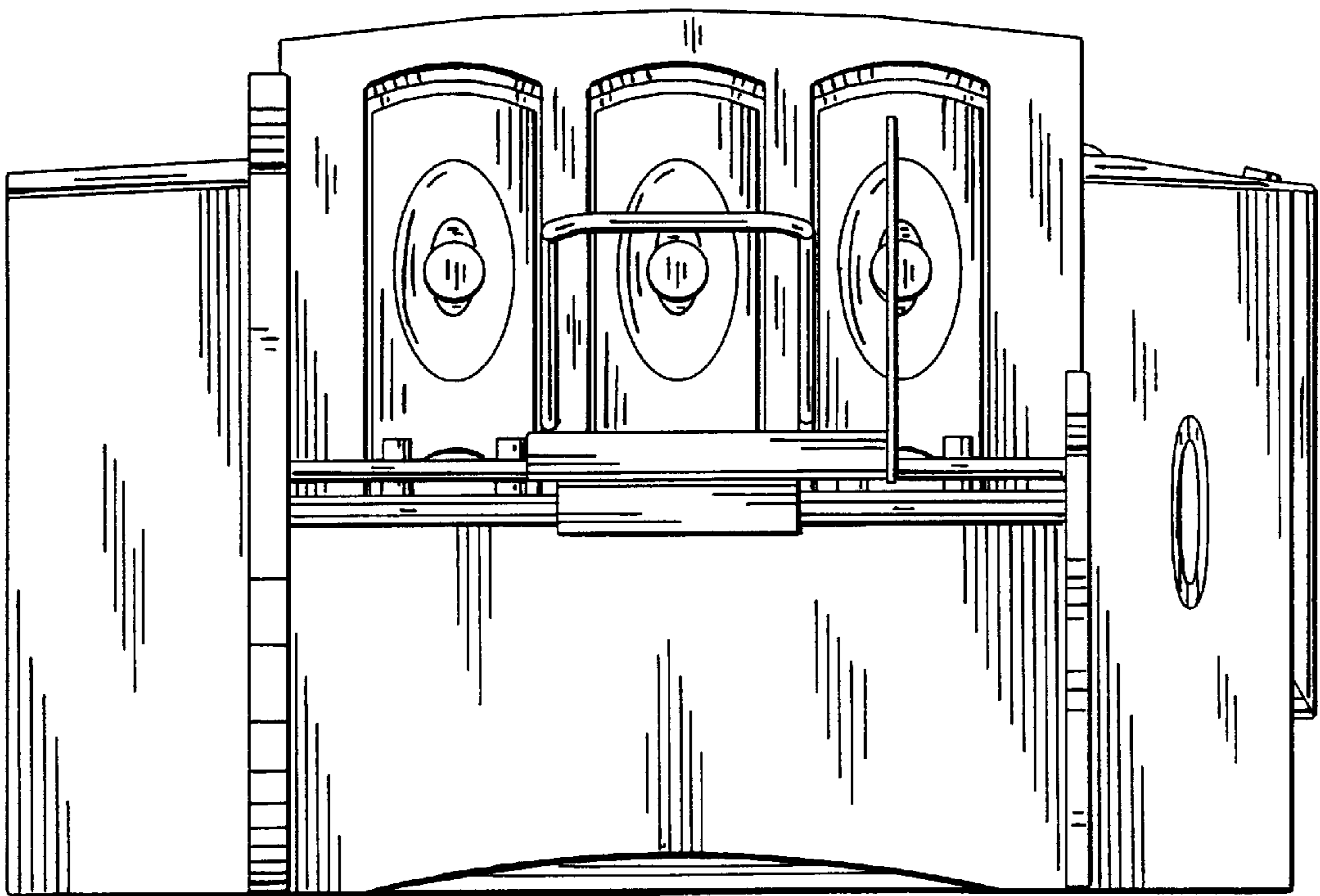


FIG . 4

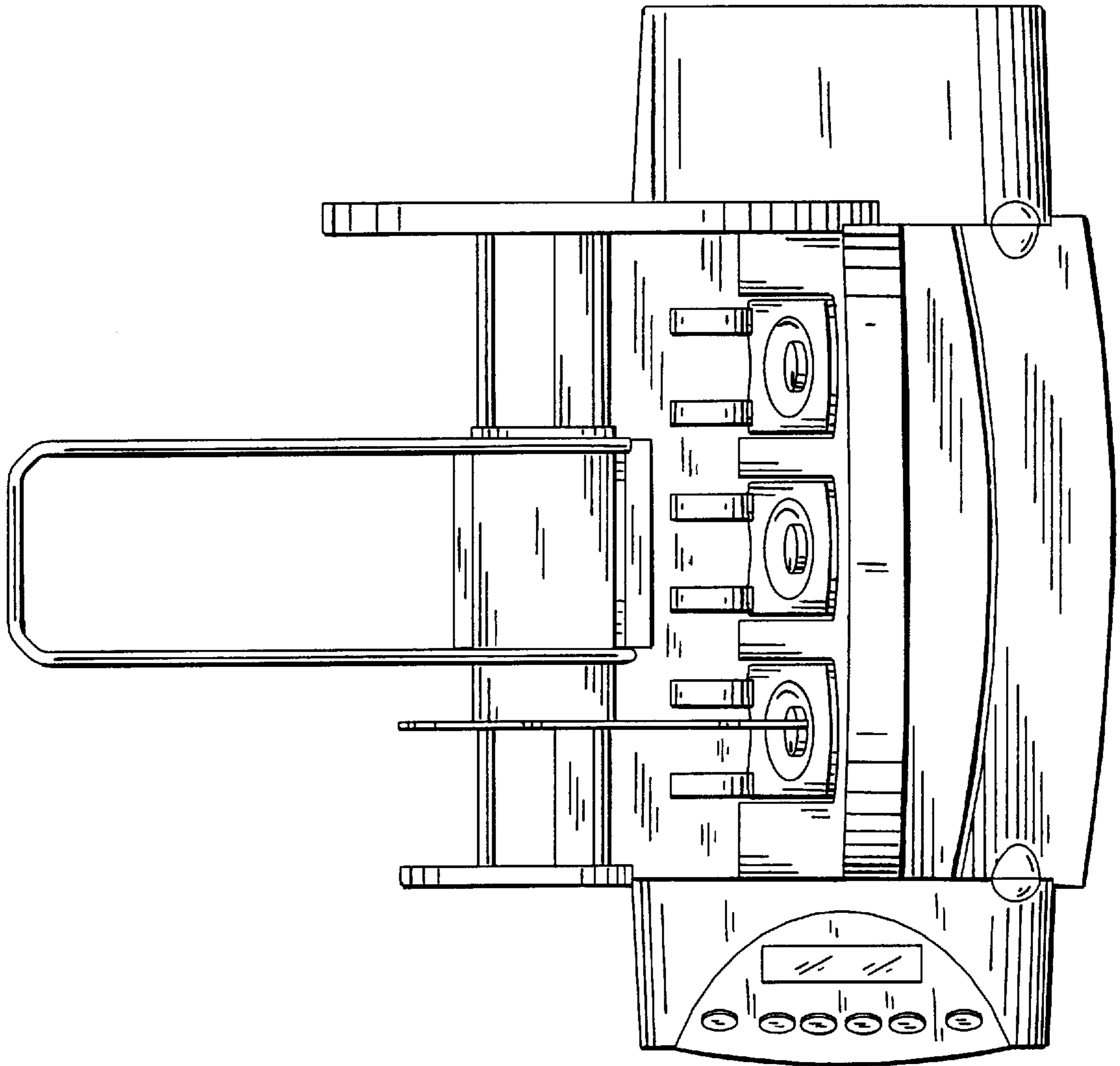


FIG . 5

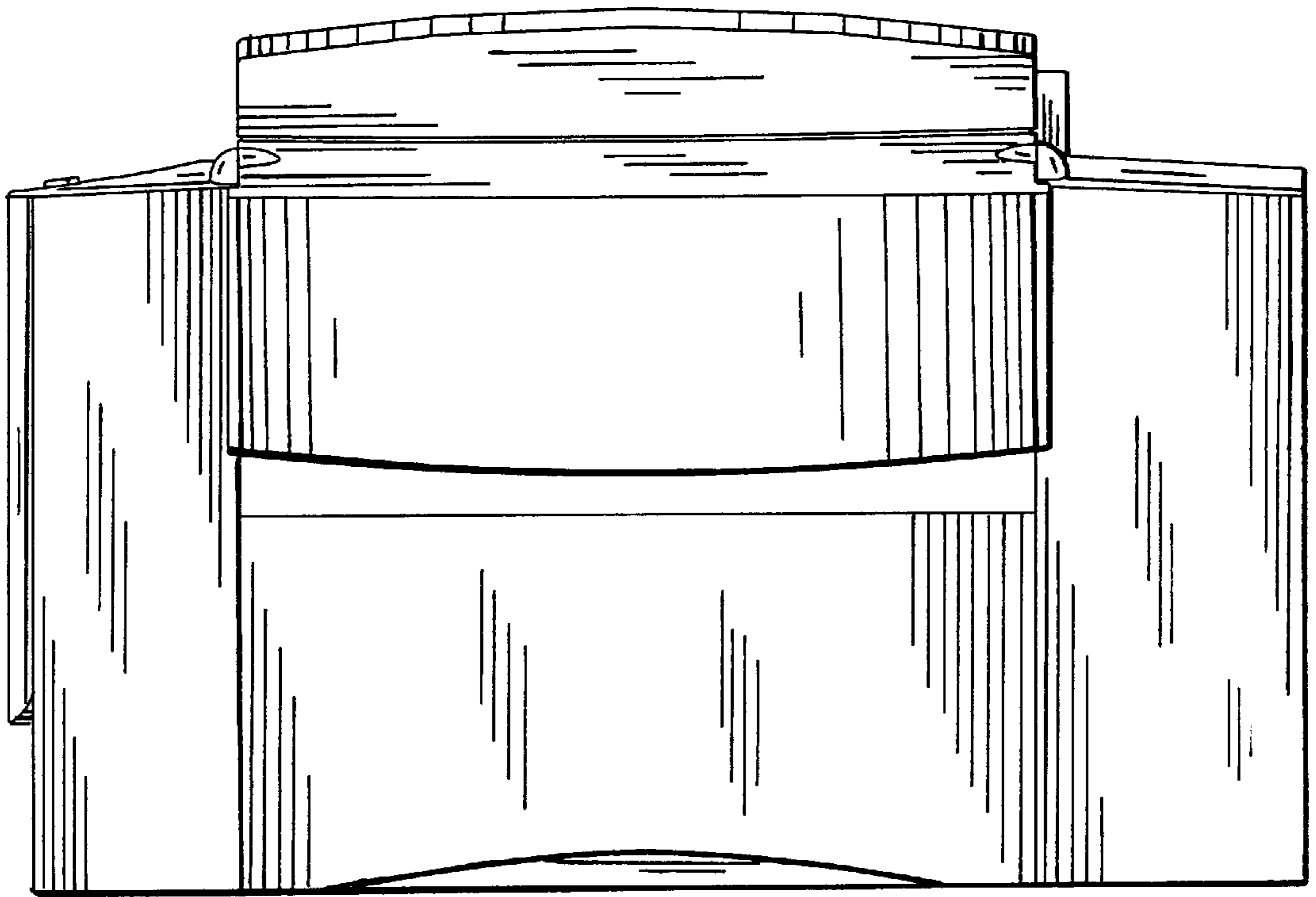


FIG . 6

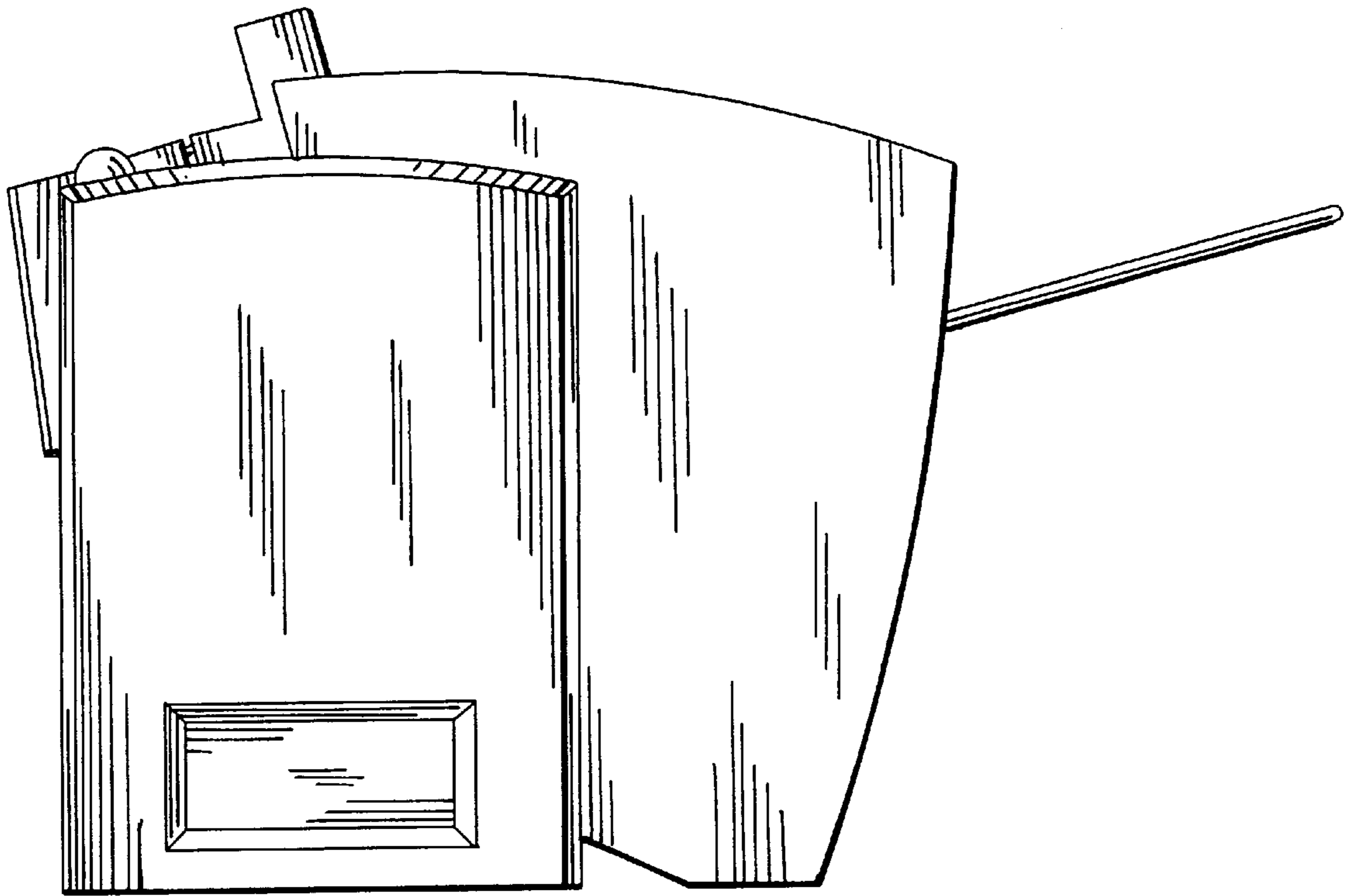


FIG . 7