



US00D422304S

United States Patent [19]

Suzuki et al.

[11] Patent Number: Des. 422,304

[45] Date of Patent: ** Apr. 4, 2000

[54] TONER CARTRIDGE

D. 366,277 1/1996 Kawamura D18/43
5,629,759 5/1997 Jyoroku 399/262

[75] Inventors: Tsutomu Suzuki; Yasushi Okabe, both of Nagoya; Yasutake Yamaguchi, Chiryu, all of Japan

Primary Examiner—Caron D. Veynar
Attorney, Agent, or Firm—Oliff & Berridge, PLC

[73] Assignee: Brother Kogyo Kabushiki Kaisha, Nagoya, Japan

[57] CLAIM

[**] Term: 14 Years

The ornamental design for toner cartridge, as shown and described.

[21] Appl. No.: 29/105,736

DESCRIPTION

[22] Filed: Jun. 1, 1999

FIG. 1 is a top view of a toner cartridge of our inventive design;

[30] Foreign Application Priority Data

Mar. 16, 1999 [JP] Japan 11-6724

FIG. 2 is a front view thereof;

[51] LOC (6) Cl. 16-03

FIG. 3 is a left side view thereof;

[52] U.S. Cl. D18/43

FIG. 4 is a right side view thereof;

[58] Field of Search D18/36, 40, 43,
D18/56; 399/24, 25, 27, 28, 61, 99, 106,
262

FIG. 5 is a bottom view thereof;

FIG. 6 is a rear view thereof; and,

FIG. 7 is a perspective view thereof.

[56] References Cited

U.S. PATENT DOCUMENTS

D. 313,813 1/1991 Tokuda D18/36

1 Claim, 3 Drawing Sheets

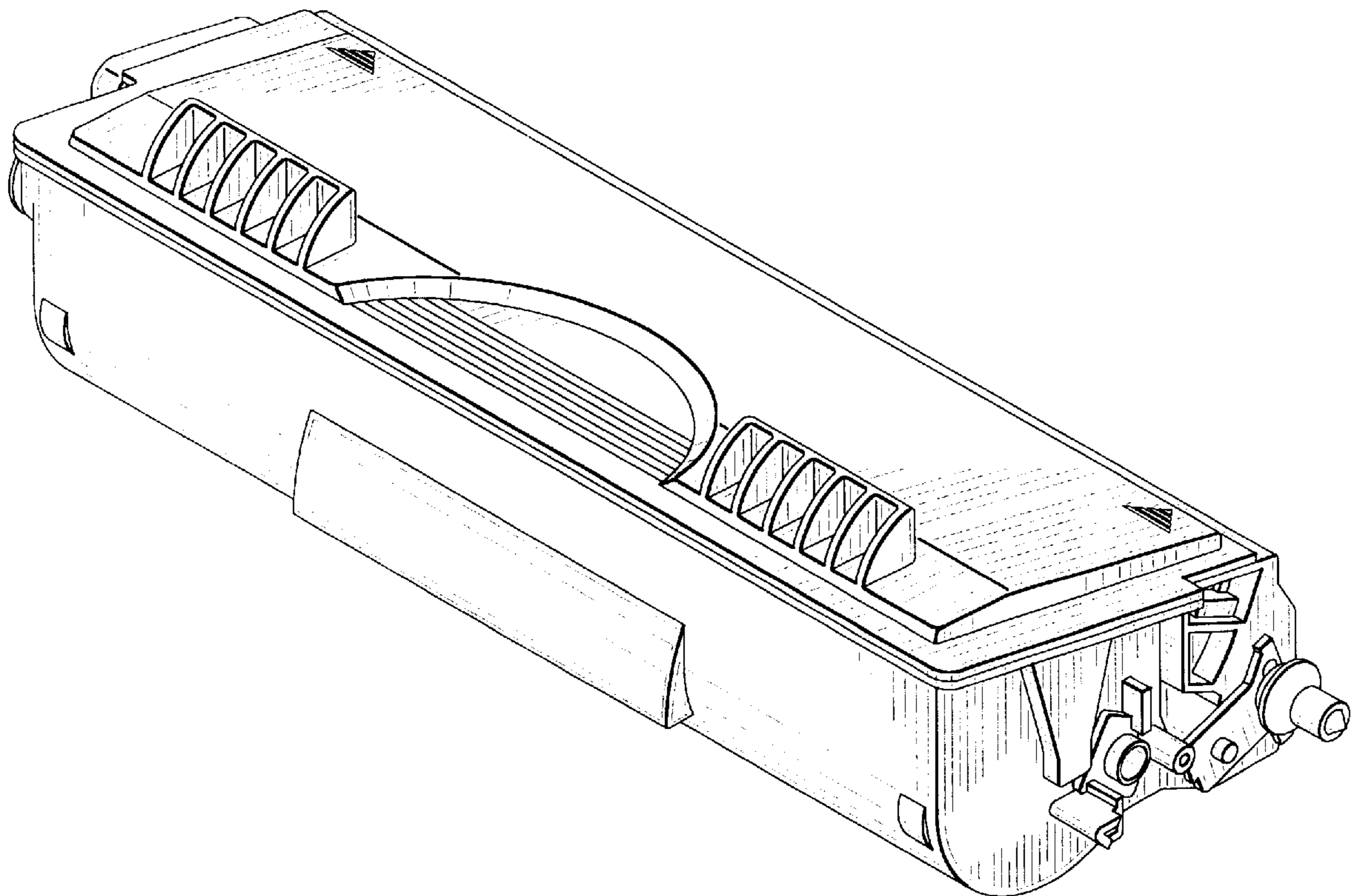


FIG. 1

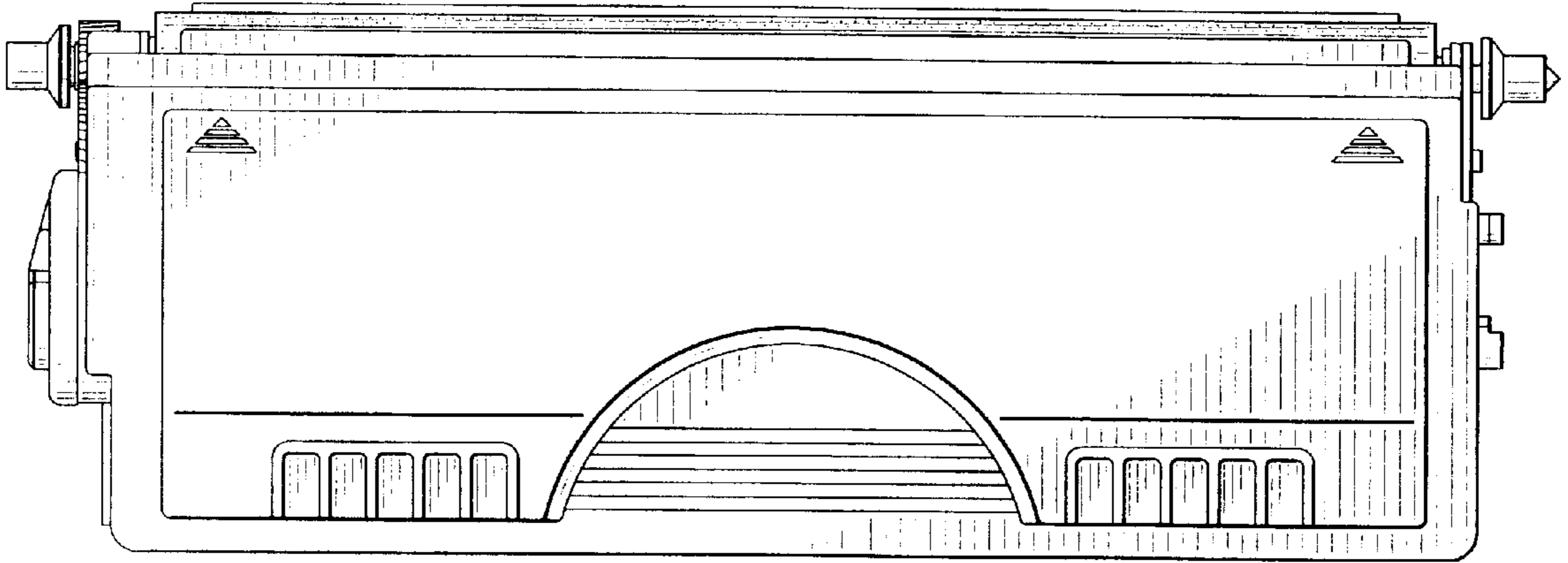


FIG. 2

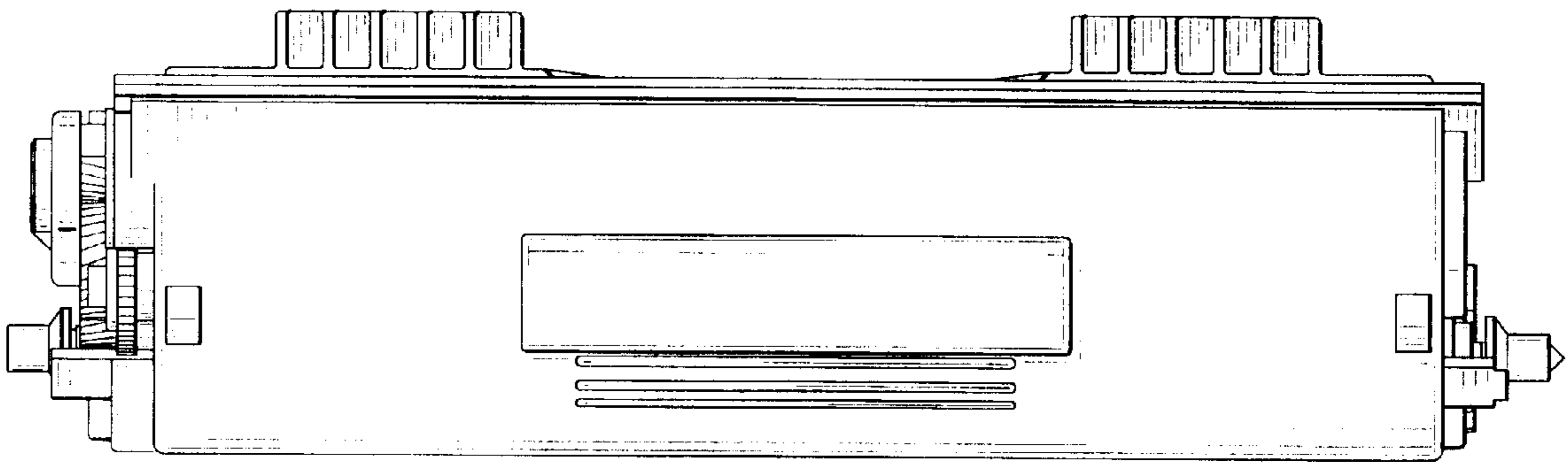


FIG. 3

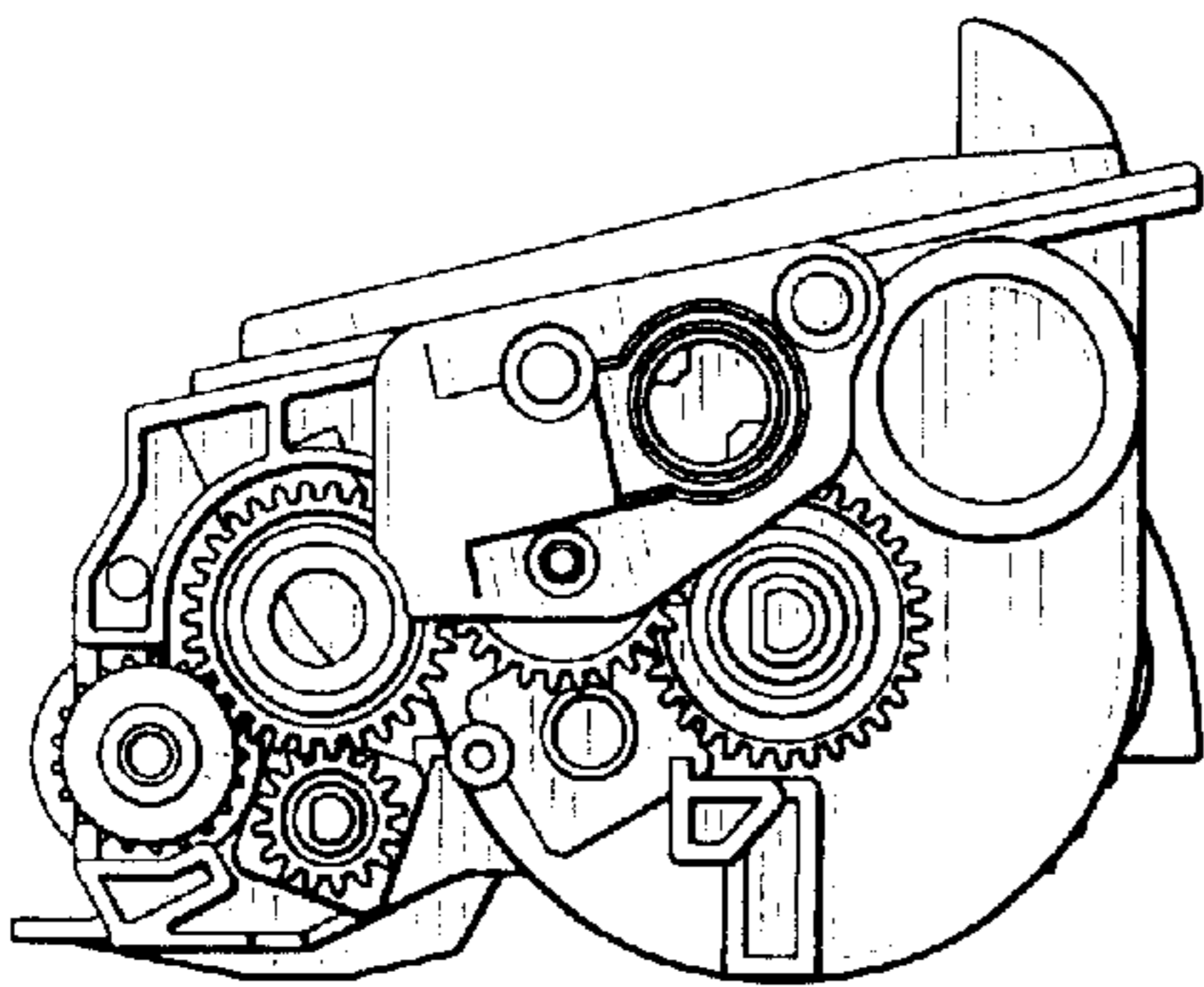


FIG. 4

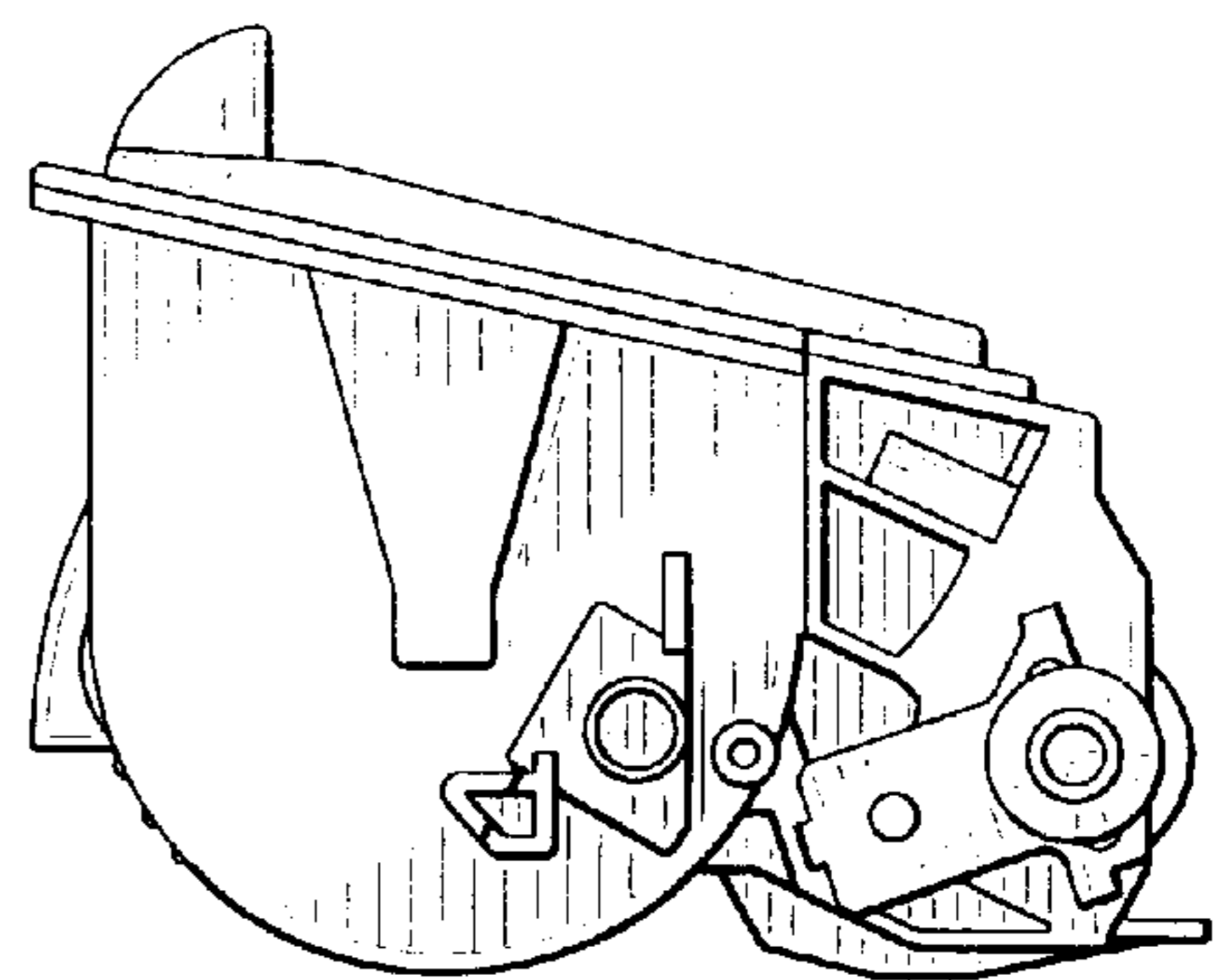


FIG. 5

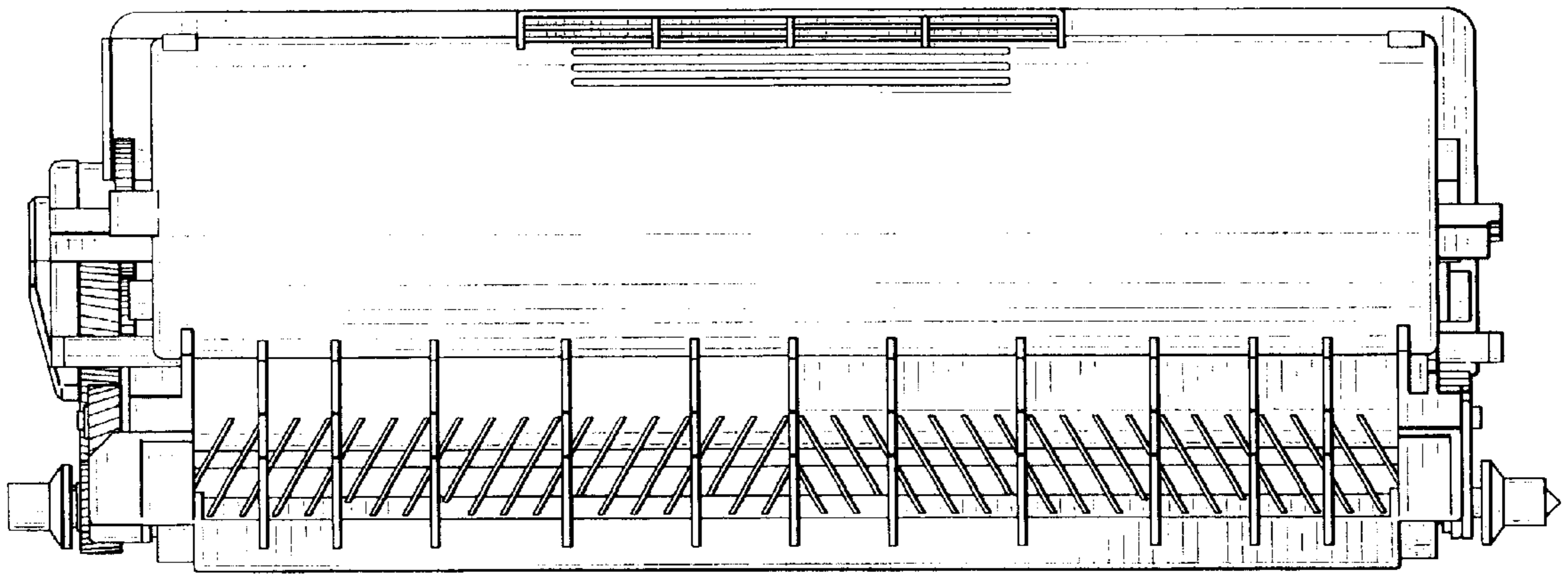


FIG. 6

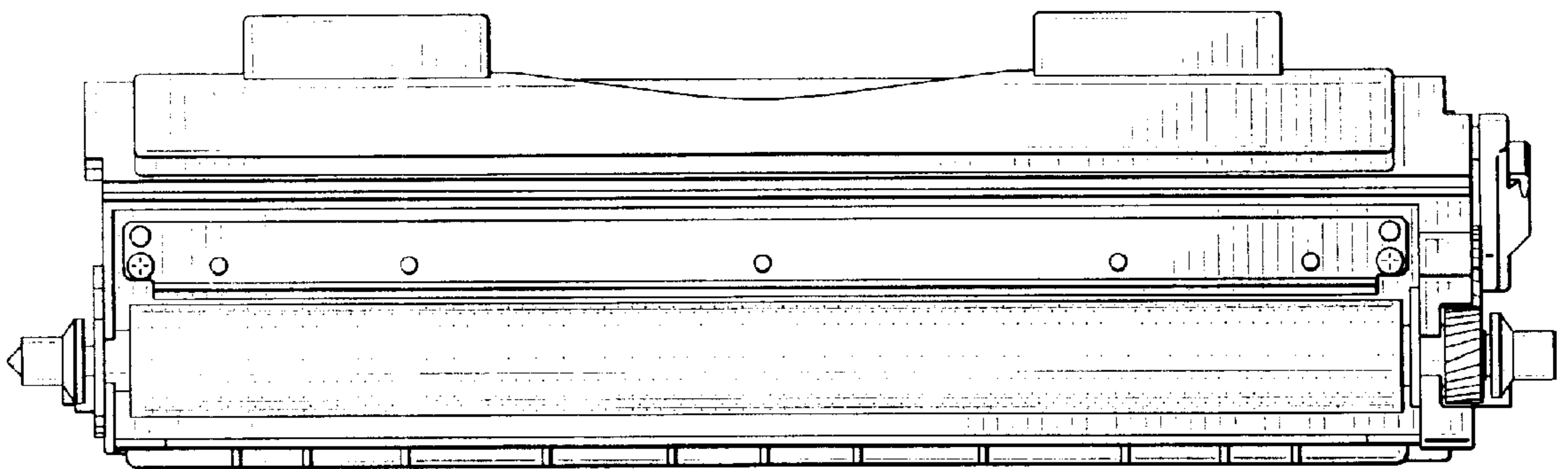


FIG. 7

