



US00D422303S

United States Patent [19]

Takeuchi et al.

[11] Patent Number: **Des. 422,303**

[45] Date of Patent: **** Apr. 4, 2000**

[54] **TONER SUPPLYING CARTRIDGE FOR PHOTOCOPIER**

[75] Inventors: **Motoaki Takeuchi**, Tokyo; **Masaki Takahashi**, Yokohama; **Kazuhisa Horikoshi**; **Tatsuya Hisatomi**, both of Tokyo; **Katsuya Murakami**, Numazu, all of Japan

[73] Assignee: **Canon Kabushiki Kaisha**, Tokyo, Japan

[**] Term: **14 Years**

[21] Appl. No.: **29/104,017**

[22] Filed: **Apr. 27, 1999**

[30] **Foreign Application Priority Data**

Oct. 28, 1998 [JP] Japan 10-31296

[51] **LOC (6) Cl.** **16-03**

[52] **U.S. Cl.** **D18/43**

[58] **Field of Search** D18/36, 40, 43, D18/56; 399/24, 25, 27, 28, 61, 99, 106, 262

[56] **References Cited**

U.S. PATENT DOCUMENTS

D. 313,813 1/1991 Tokuda D18/43 X
D. 398,023 9/1998 Okada D18/43

Primary Examiner—Caron D. Veynar
Attorney, Agent, or Firm—Fitzpatrick, Cella, Harper & Scinto

[57] **CLAIM**

The ornamental design for a toner supplying cartridge for photocopier, as shown and described.

DESCRIPTION

FIG. 1 is a front view of a toner supplying cartridge for photocopier showing our new design; FIG. 2 is a rear view thereof; FIG. 3 is a top plan view thereof; FIG. 4 is a bottom plan view thereof; FIG. 5 is a left side view thereof; FIG. 6 is a right side view thereof; and, FIG. 7 is a perspective view thereof.

1 Claim, 4 Drawing Sheets

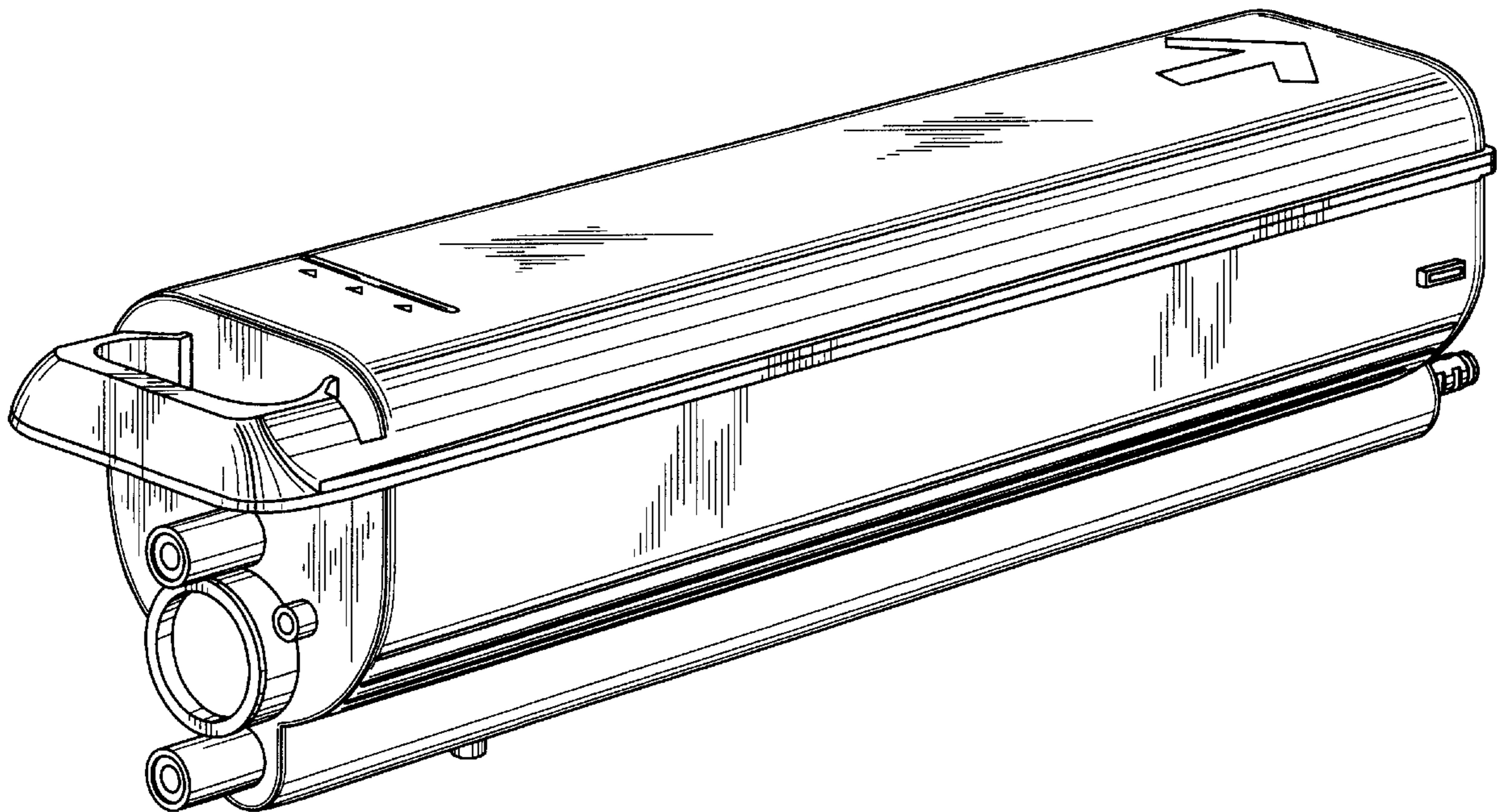


FIG. 1

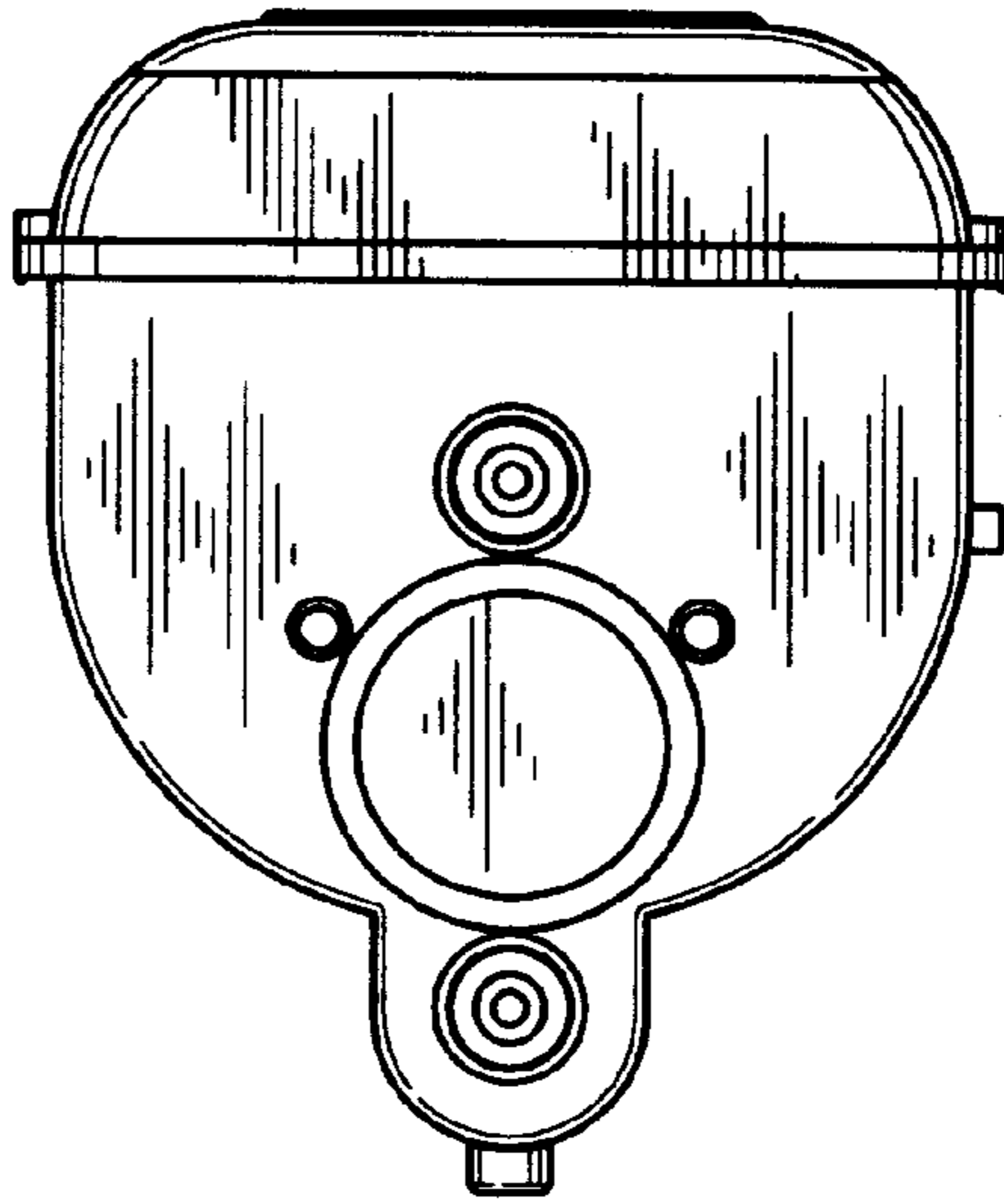


FIG. 2

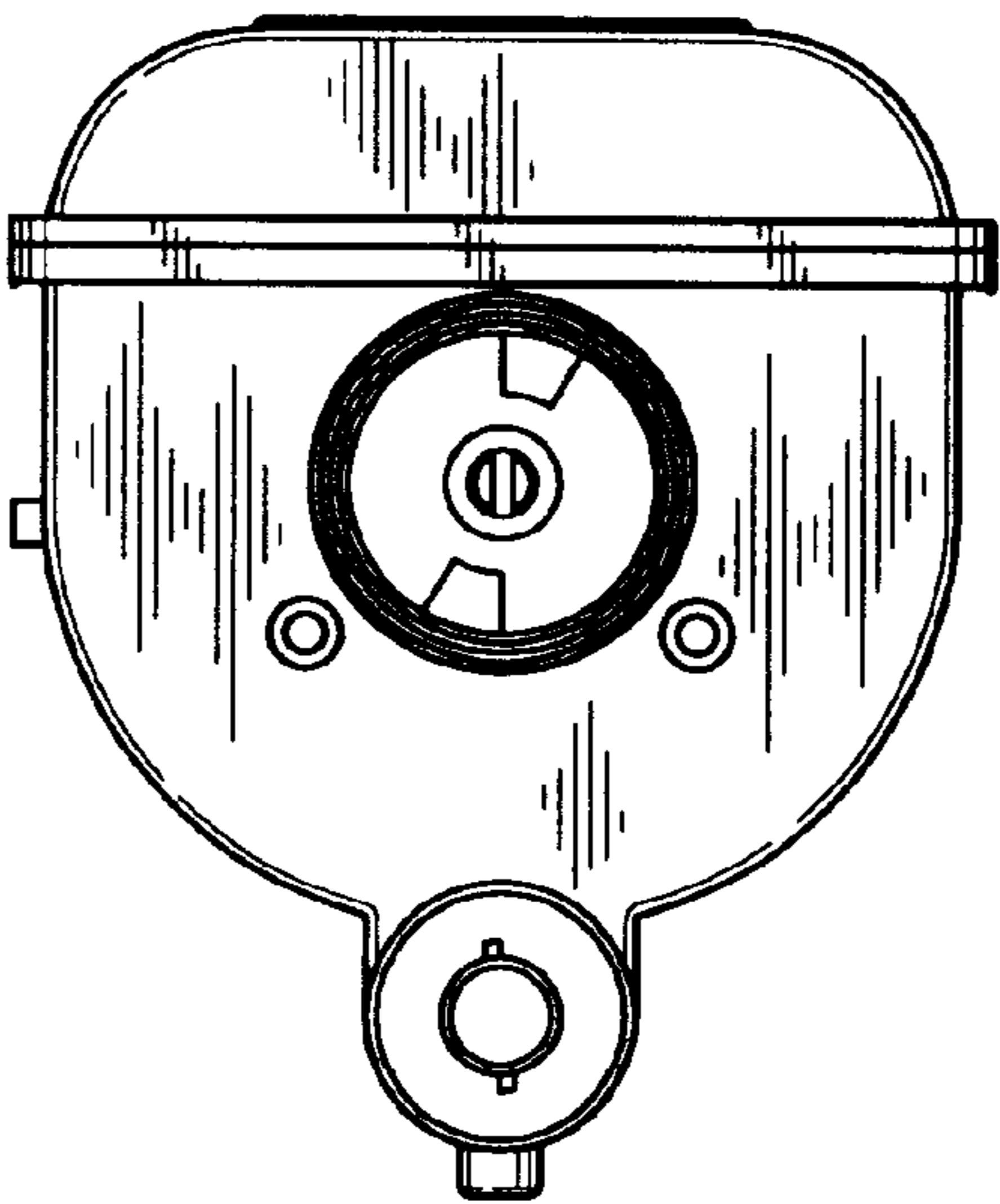


FIG. 3

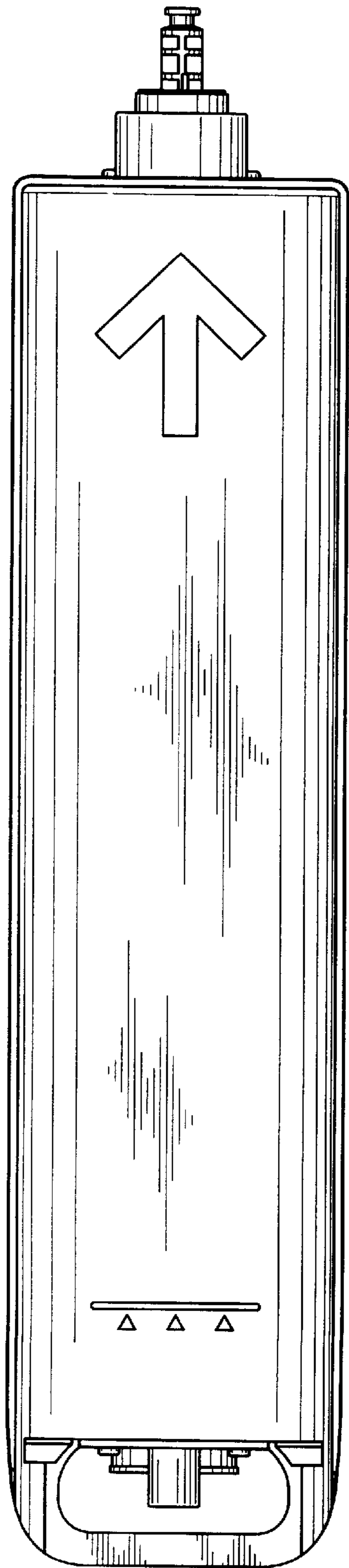


FIG. 4

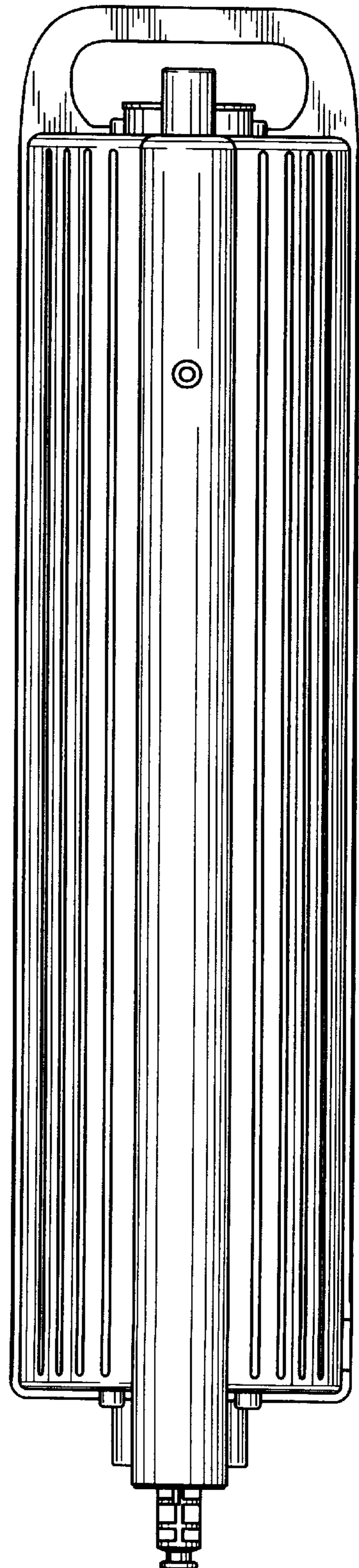


FIG. 5

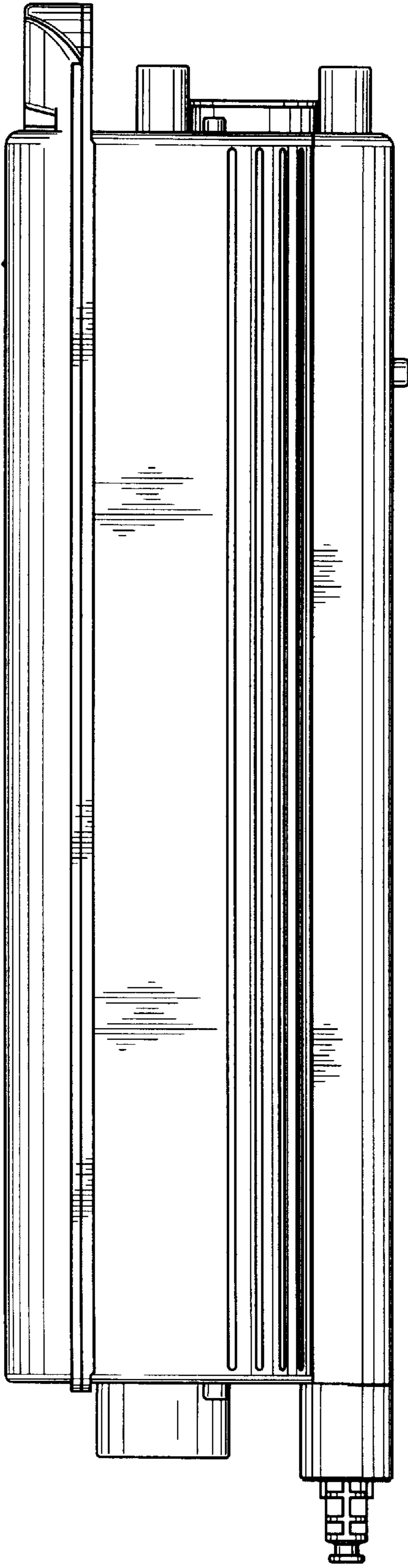


FIG. 6

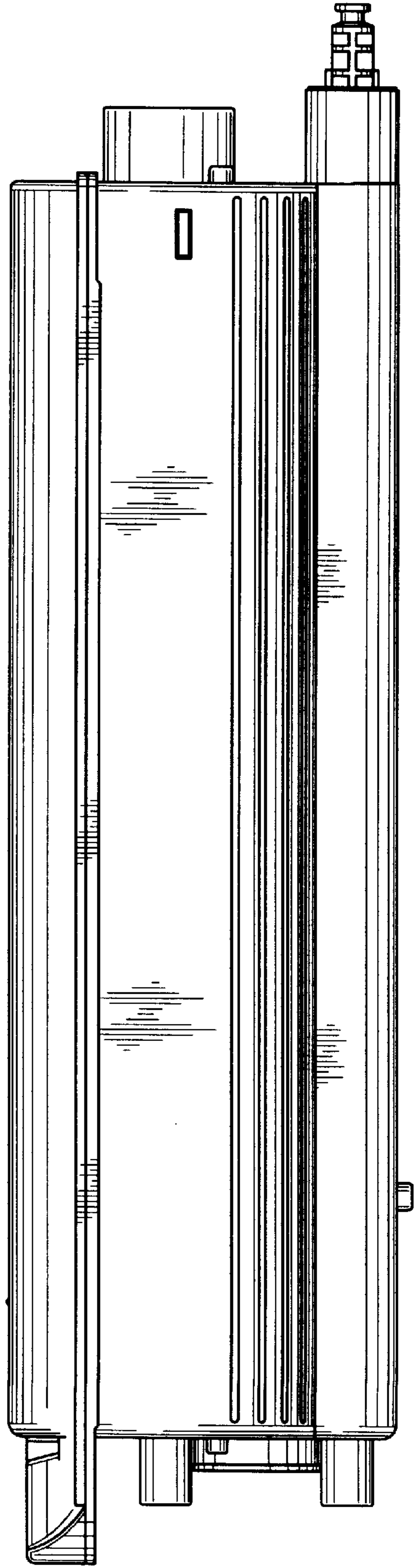


FIG. 7

