



US00D422301S

United States Patent [19]

Short et al.

[11] Patent Number: **Des. 422,301**

[45] Date of Patent: **** Apr. 4, 2000**

[54] **COMBINED PRINTER, COPIER AND SCANNER**

D. 382,582 8/1997 Igarashi et al. D18/55
D. 387,344 12/1997 Isomoto D14/118
D. 398,632 9/1998 Dodge et al. D18/36

[75] Inventors: **D. Bradley Short**, San Diego; **Charles W. Dodge**, Escondido; **Ronald J. Kaplan**, San Diego, all of Calif.

Primary Examiner—Caron D. Veynar
Attorney, Agent, or Firm—Jerry R. Potts

[73] Assignee: **Hewlett-Packard Company**, Palo Alto, Calif.

[57] CLAIM

[**] Term: **14 Years**

The ornamental design for a combined printer, copier and scanner, as shown.

[21] Appl. No.: **29/102,660**

DESCRIPTION

[22] Filed: **Mar. 29, 1999**

FIG. 1 is a front perspective view of a combined printer, copier, and scanner showing our new design;
FIG. 2 is a right side elevational view thereof;
FIG. 3 is a bottom plan view thereof;
FIG. 4 is a top plan view thereof;
FIG. 5 is a rear elevational view thereof;
FIG. 6 is a left side elevational view thereof; and,
FIG. 7 is a front elevational view thereof.

[51] **LOC (6) Cl.** **16-03**

[52] **U.S. Cl.** **D18/36; D18/55**

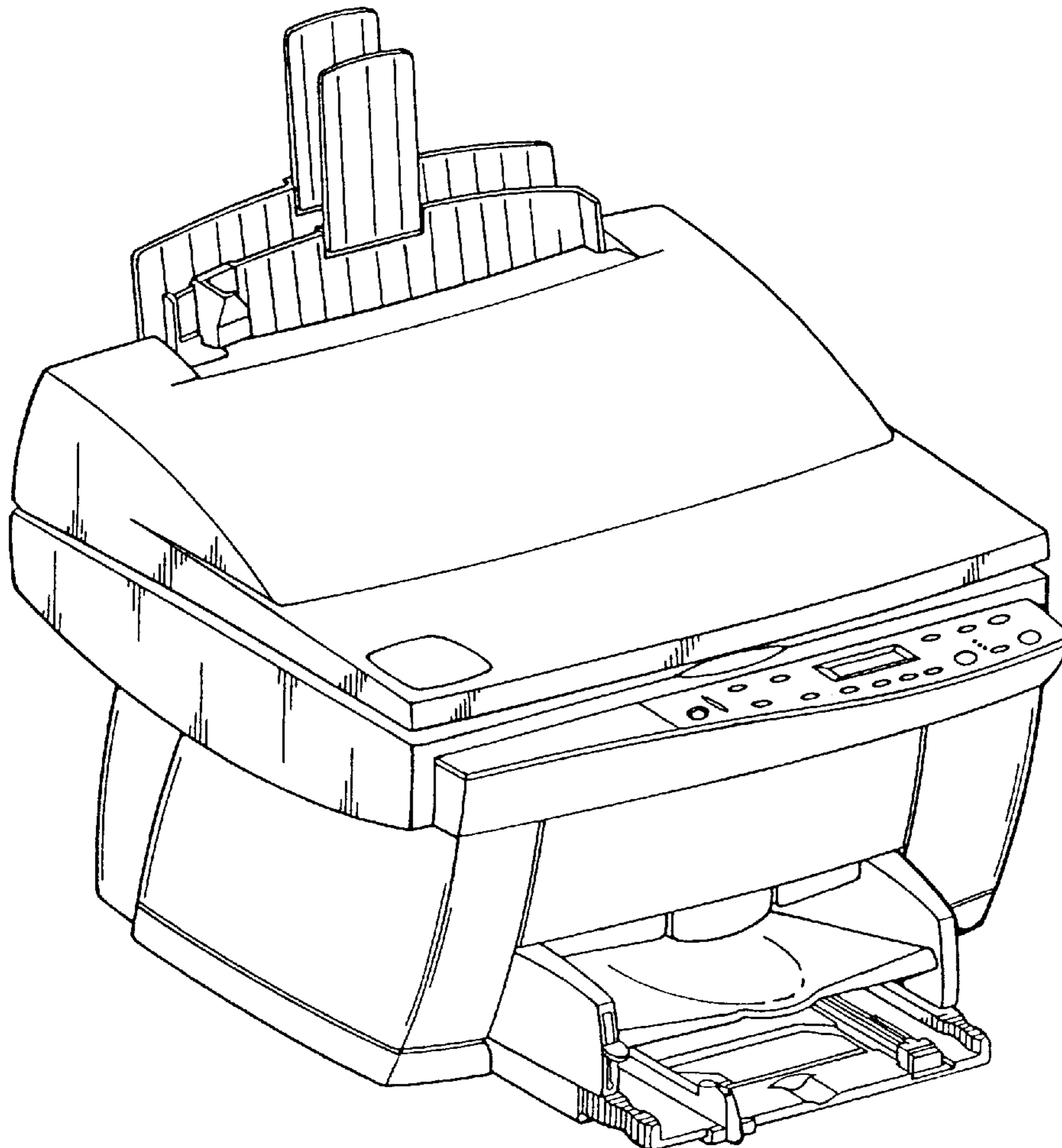
[58] **Field of Search** D18/36-39, 54,
D18/55; D14/114, 118; 399/1, 16, 75, 130,
151, 310, 361, 365; 355/97

[56] References Cited

U.S. PATENT DOCUMENTS

D. 377,370 1/1997 Escobedo et al. D18/55

1 Claim, 4 Drawing Sheets



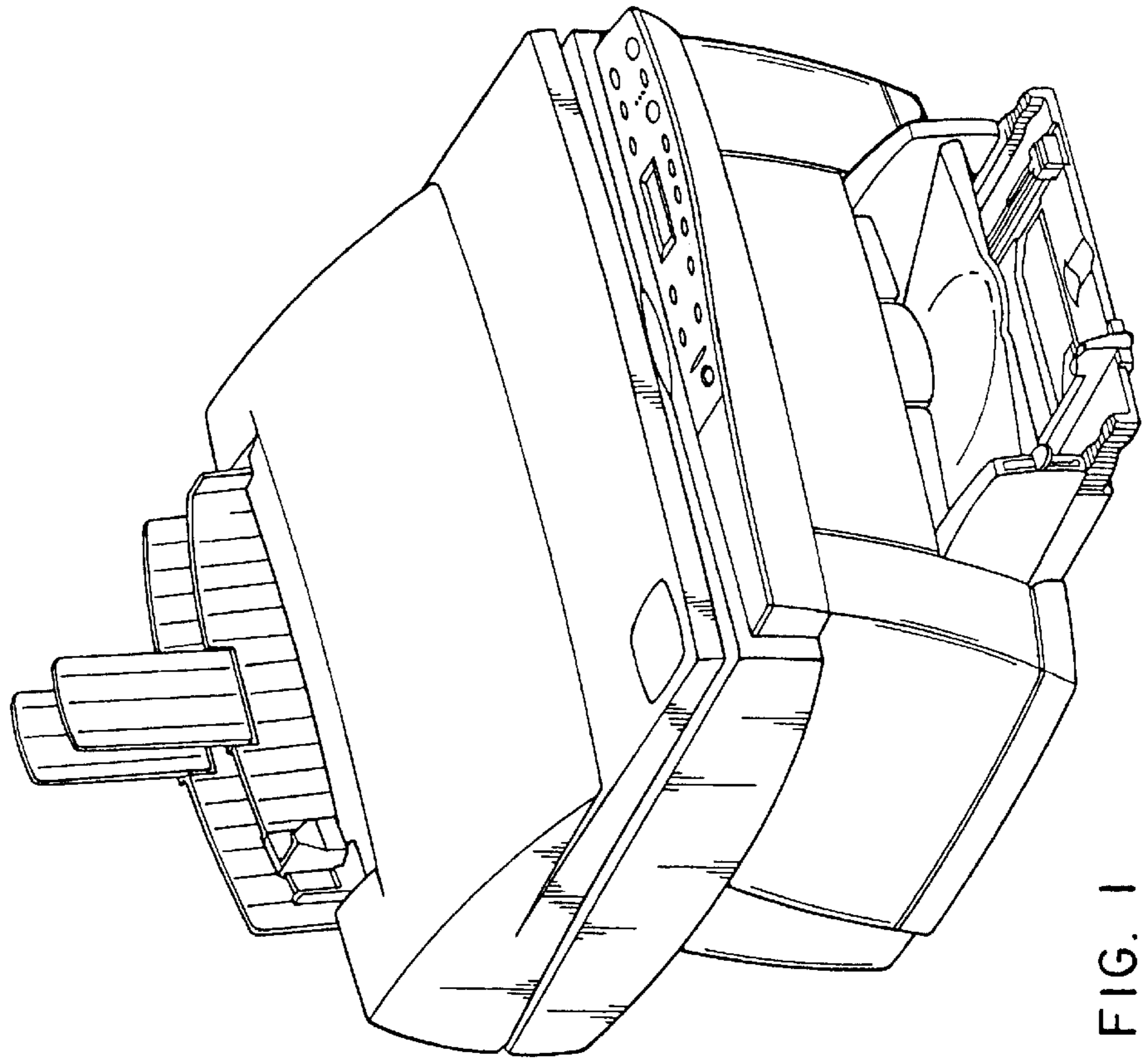


FIG. 1

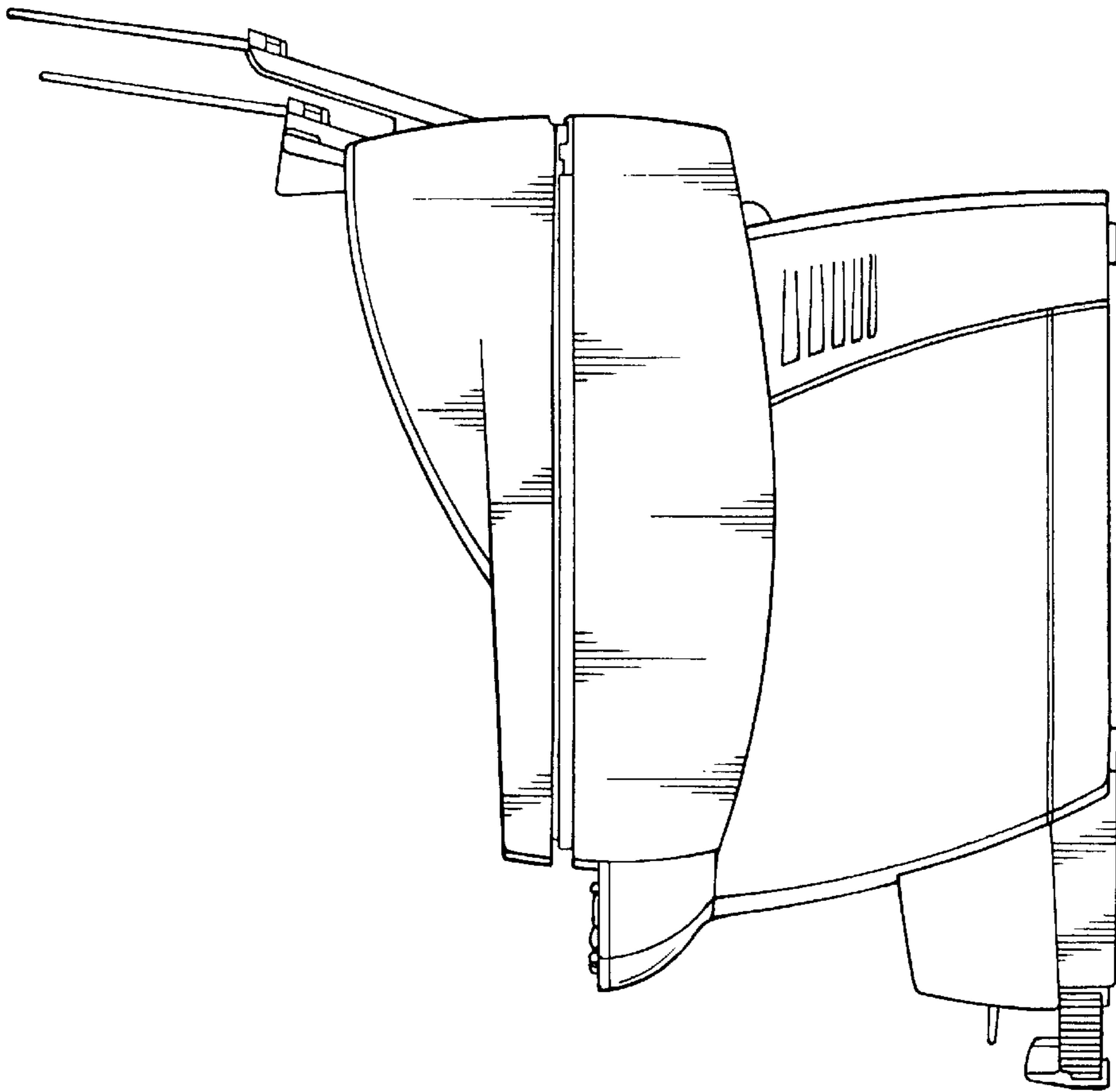


FIG. 2

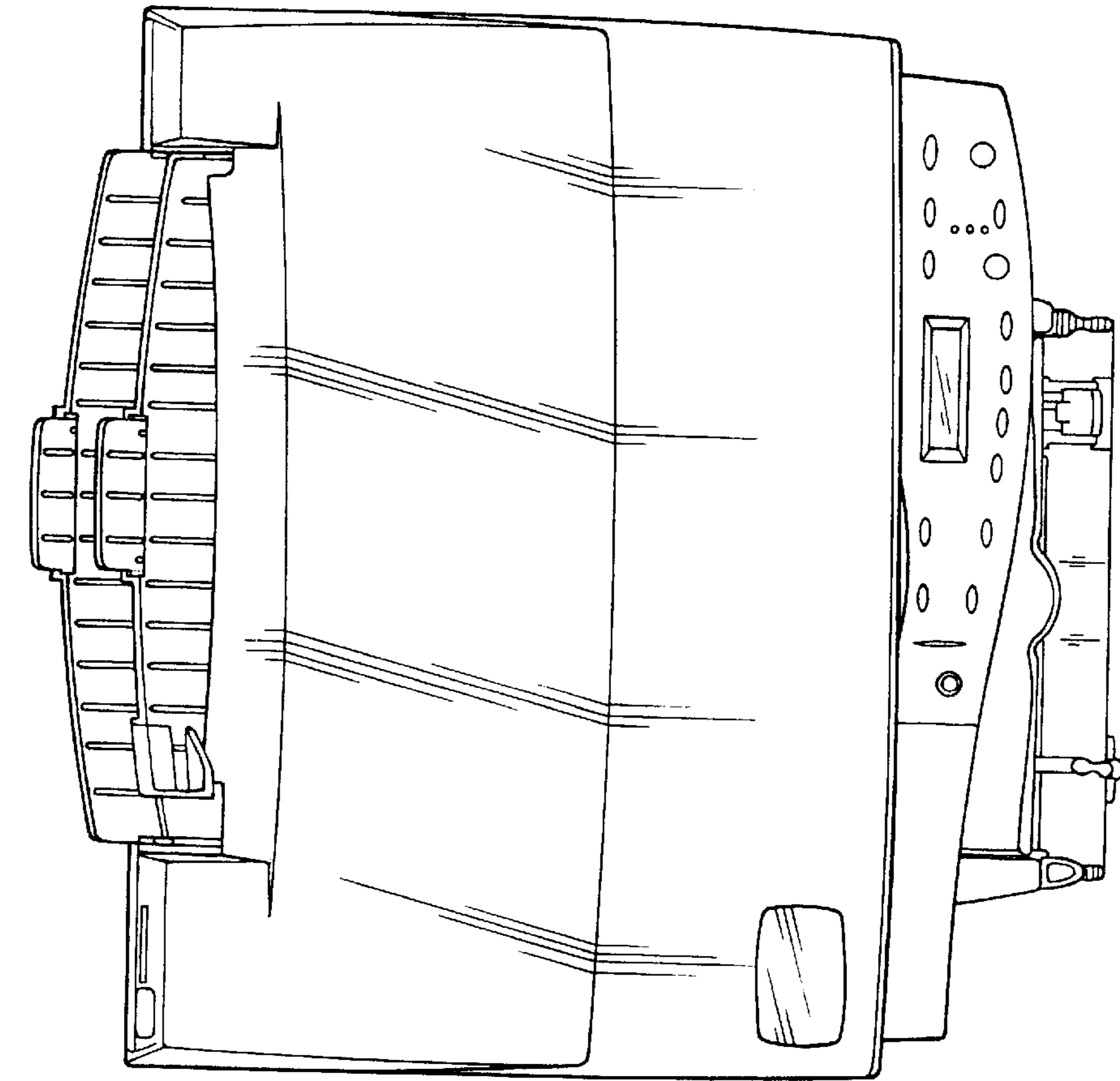


FIG. 3

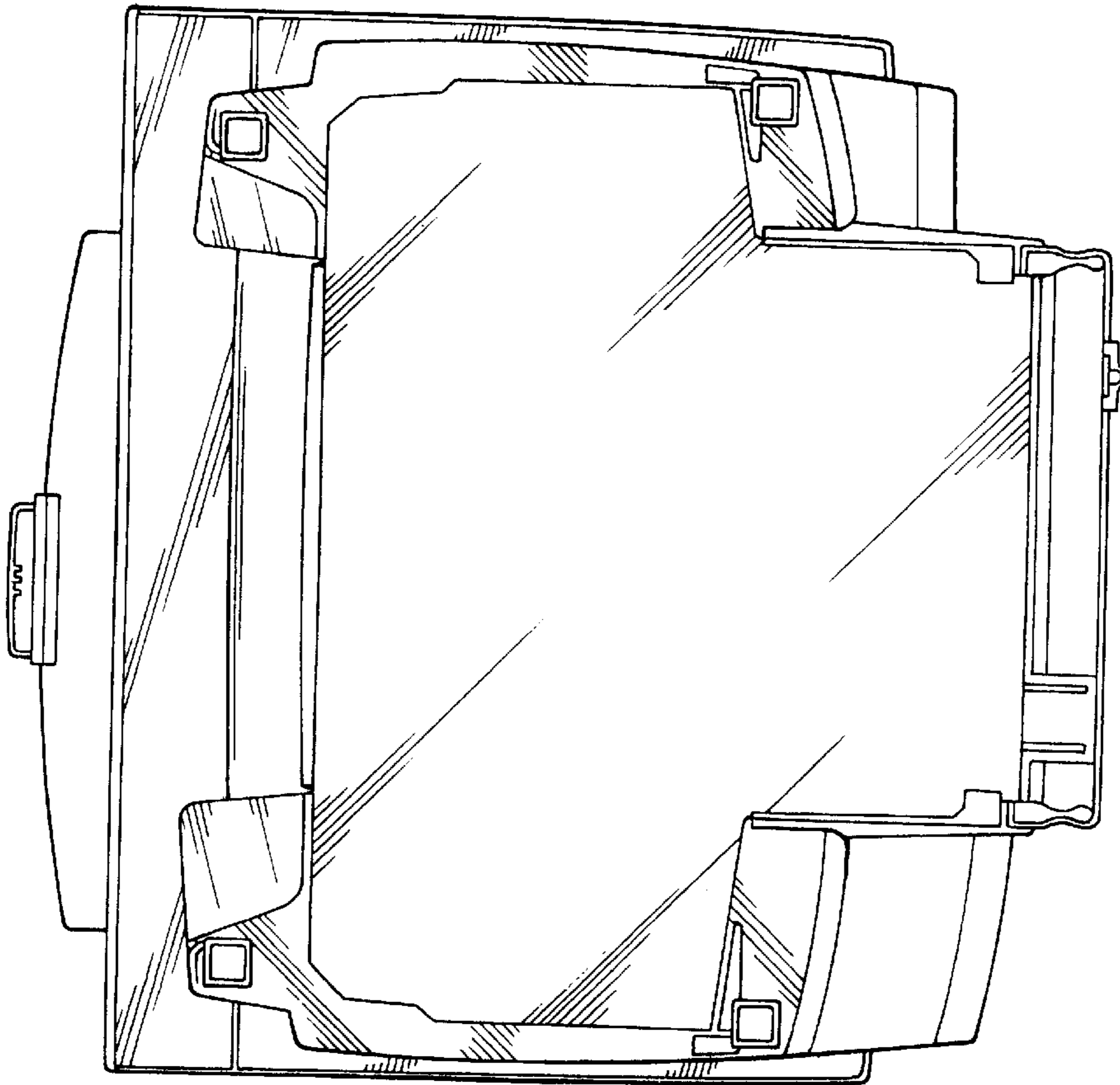


FIG. 4

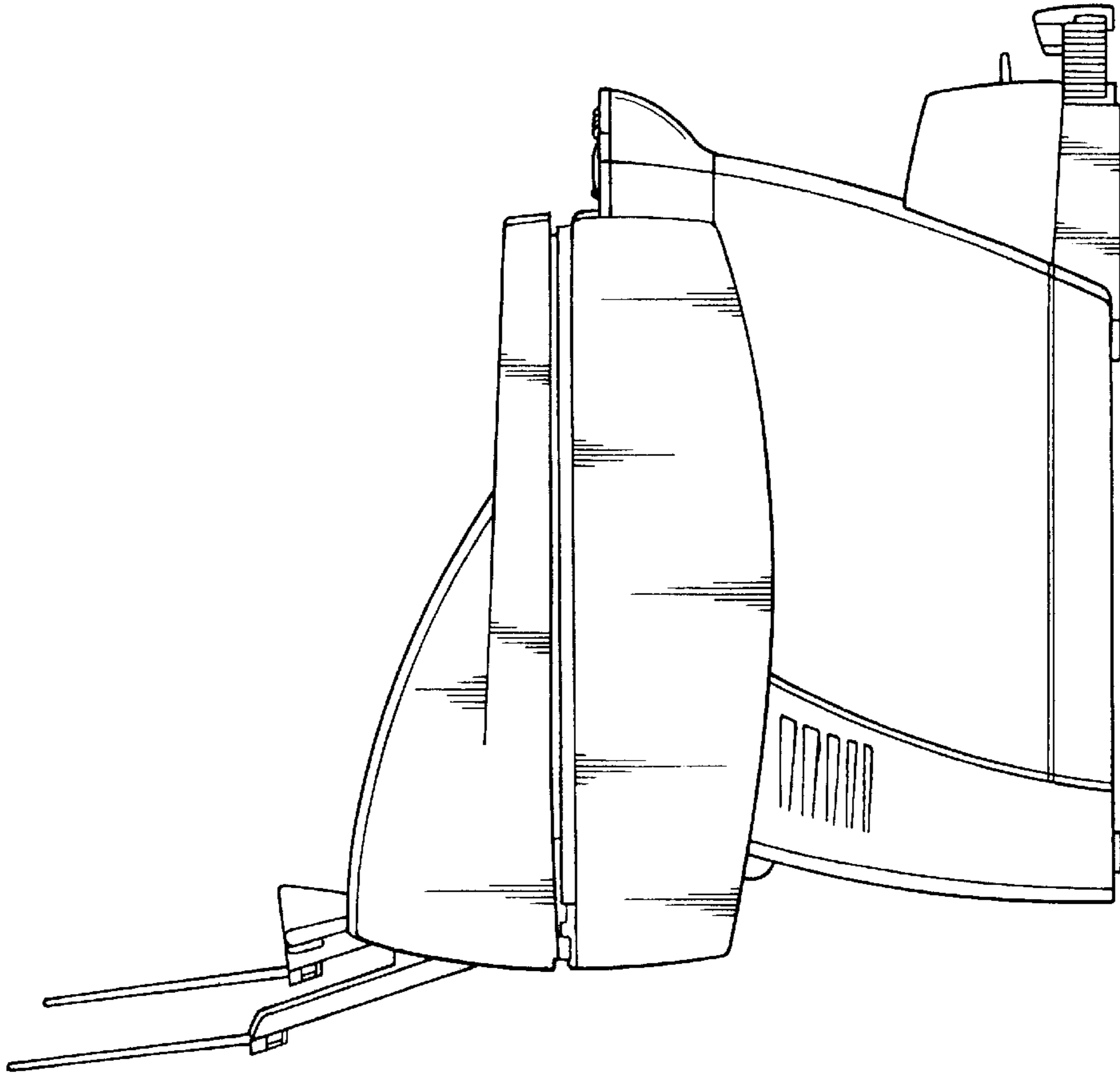


FIG. 6

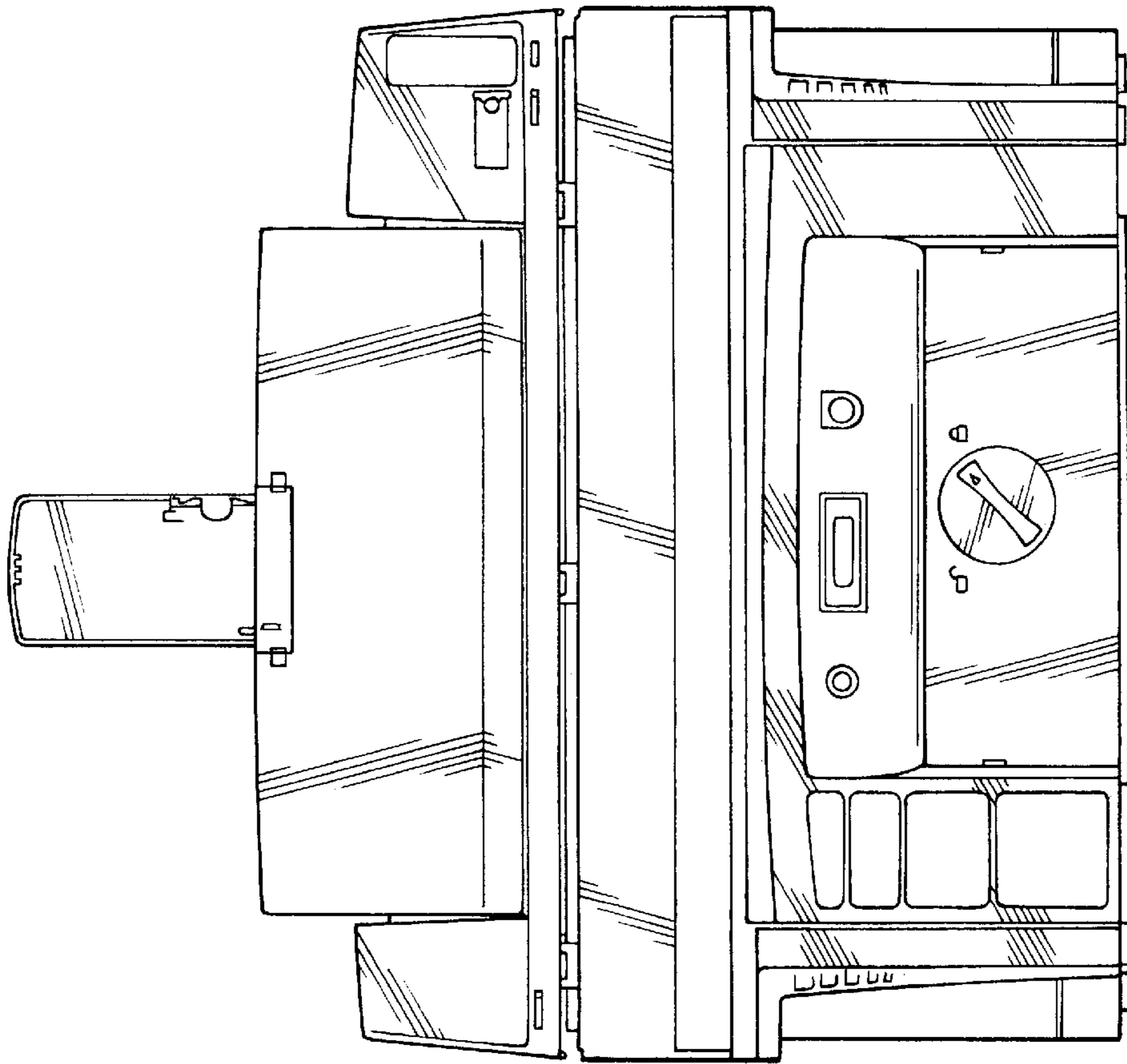


FIG. 5

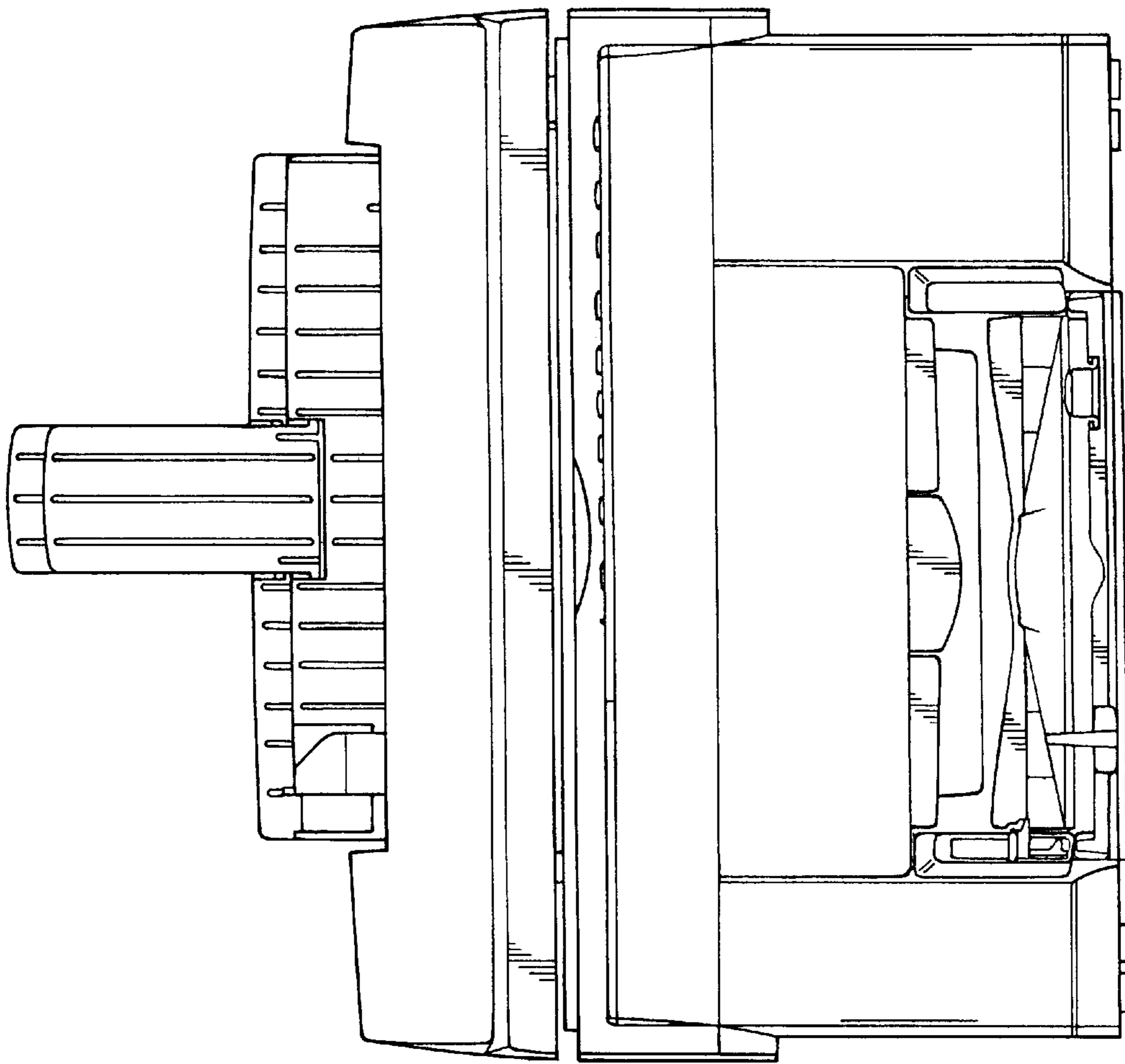


FIG. 7