



US00D422294S

# United States Patent [19]

Venezia et al.

[11] Patent Number: **Des. 422,294**

[45] Date of Patent: **\*\* Apr. 4, 2000**

[54] **PUTTING GLASSES**

[76] Inventors: **Nicholas R Venezia; Linda L Hart**,  
both of 116 Shalimar Ave. Northwest,  
Palm Bay, Fla. 32907

[\*\*] Term: **14 Years**

[21] Appl. No.: **29/095,145**

[22] Filed: **Oct. 15, 1998**

[51] **LOC (6) Cl.** ..... **16-06**

[52] **U.S. Cl.** ..... **D16/304; D16/317; D16/327;**  
D16/900

[58] **Field of Search** ..... D16/101, 300-330,  
D16/900; D29/109, 110; 351/41, 44, 47,  
48, 51, 52, 57-59, 158; 2/448, 449, 447

[56] **References Cited**

**U.S. PATENT DOCUMENTS**

D. 216,337	12/1969	Simon	.....	D16/317
D. 283,513	4/1986	Spero	.....	D16/304
D. 367,287	2/1996	Simioni et al.	.....	D16/327
D. 377,040	12/1996	Khantzis et al.	.....	D16/317
1,779,789	10/1930	Wells et al.	.....	D16/317
2,326,787	8/1943	Lorig	.....	D16/900

2,414,757	1/1947	Mitby et al.	.....	D16/900
4,824,234	4/1989	Sparks et al.	.....	351/47
5,642,177	6/1997	Nishioka	.....	351/44
5,883,689	3/1999	Ohao	.....	351/47

*Primary Examiner*—Raphael Barkai

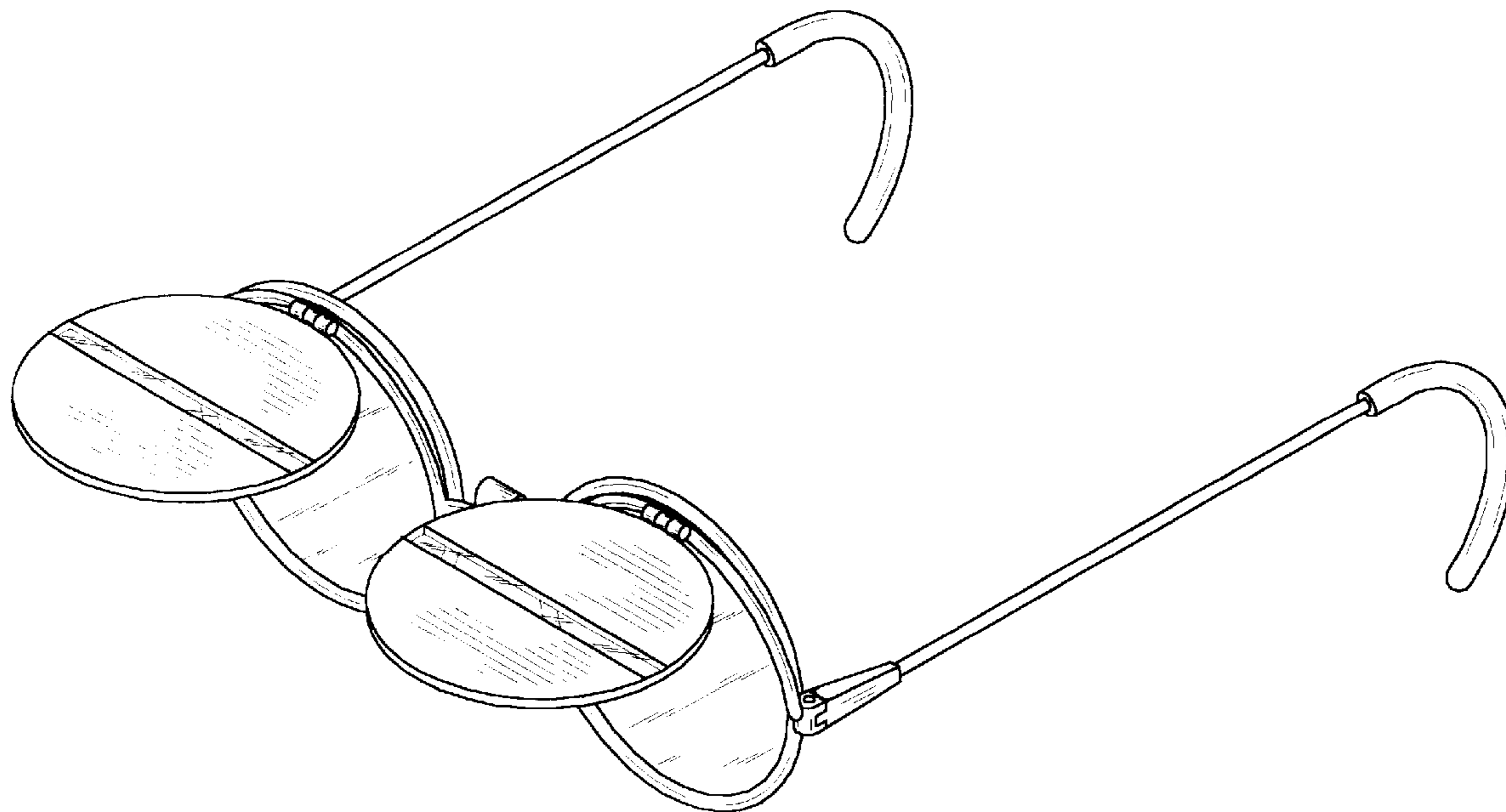
[57] **CLAIM**

The ornamental design for a putting glasses, as shown.

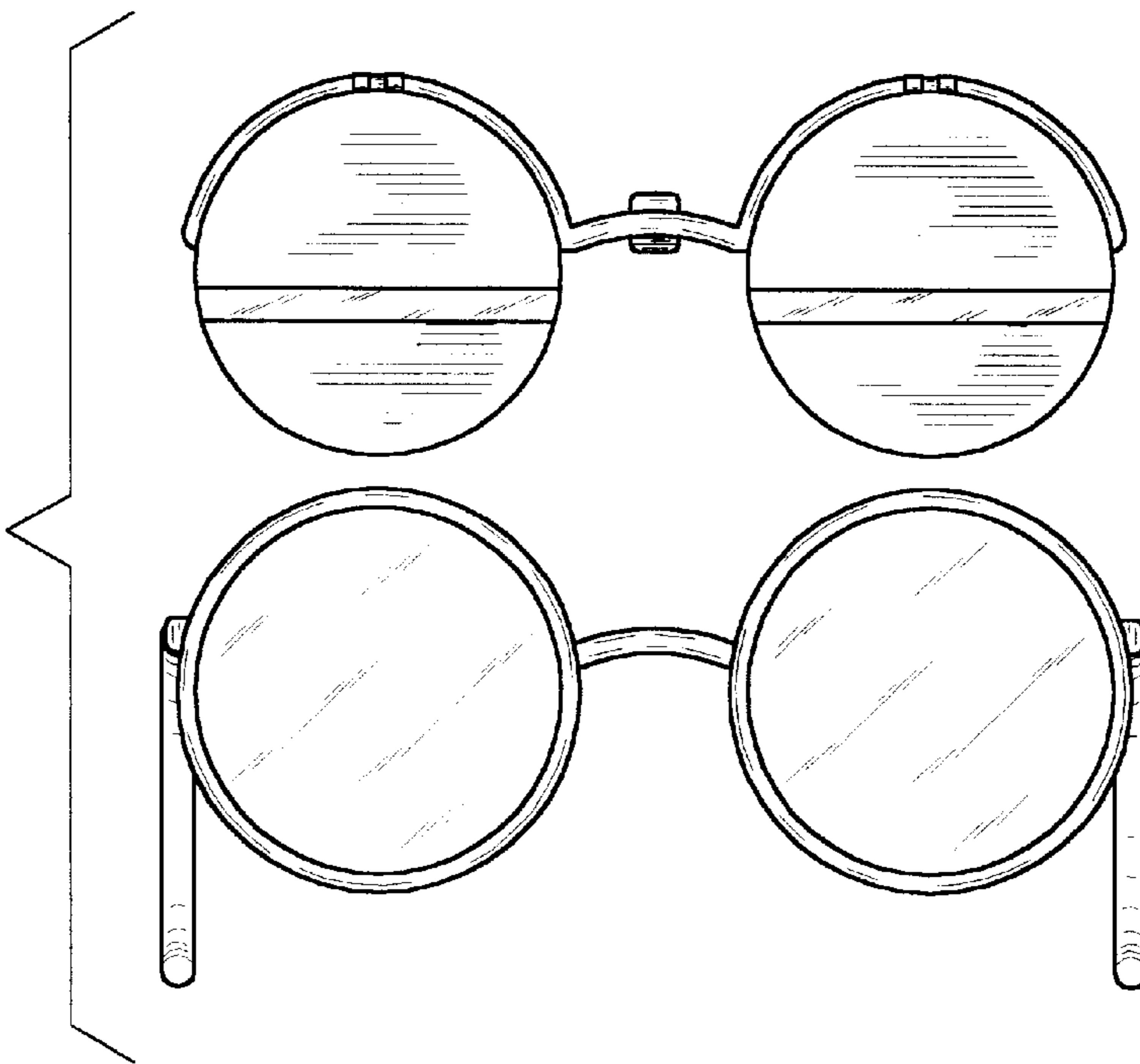
**DESCRIPTION**

FIG. 1 is a front elevational view of the putting glasses of the present invention;  
 FIG. 2 is a back elevational view of the putting glasses of FIG. 1;  
 FIG. 3 is a left side elevational view of the putting glasses of FIG. 1;  
 FIG. 4 is a right side elevational view of the putting glasses of FIG. 1;  
 FIG. 5 is a top plan view of the putting glasses of FIG. 1;  
 FIG. 6 is a bottom plan view of the putting glasses of FIG. 1; and,  
 FIG. 7 is a top, front, right side perspective view of the putting glasses of FIG. 1 combined.

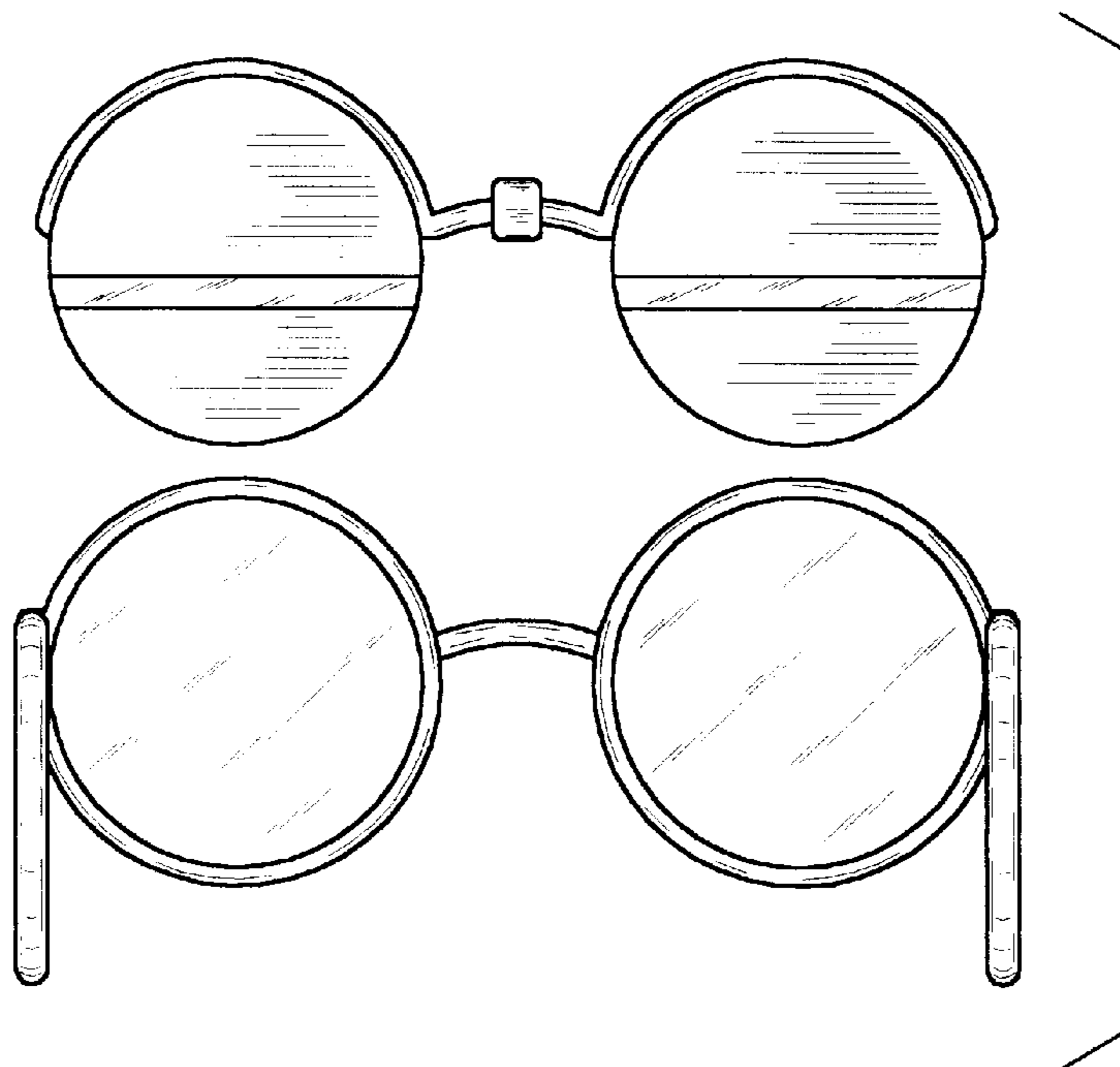
**1 Claim, 4 Drawing Sheets**

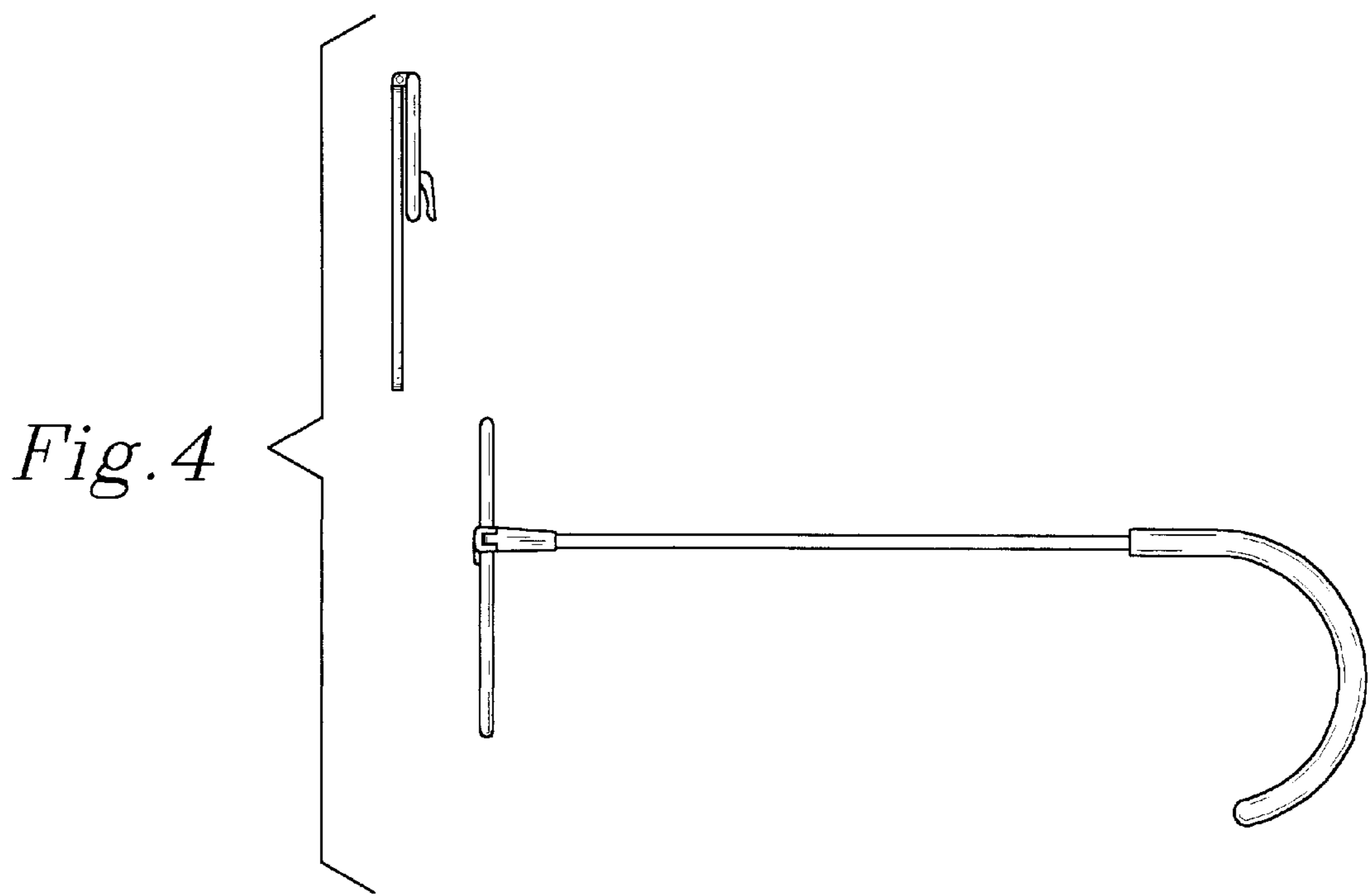
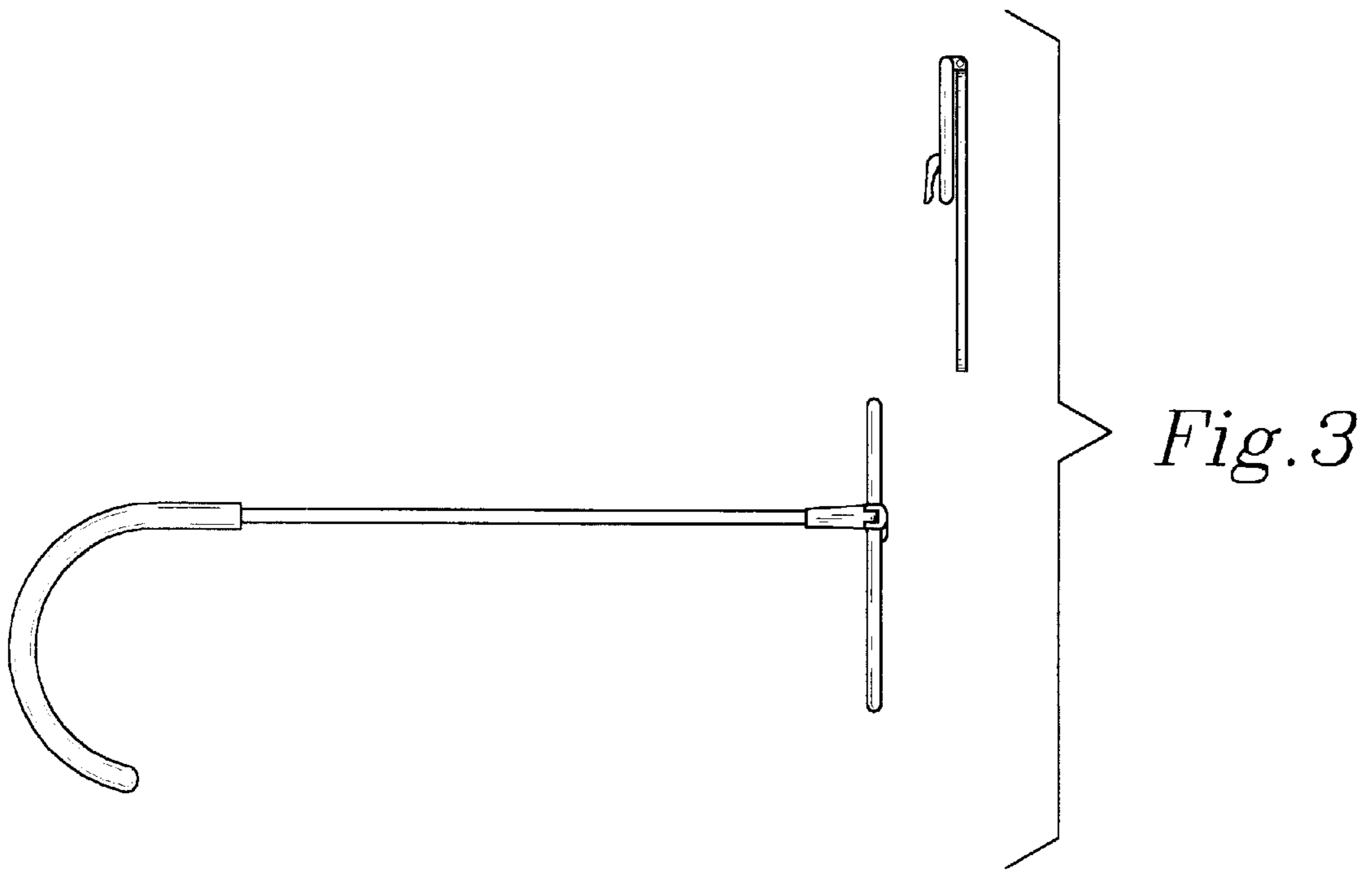


*Fig. 1*

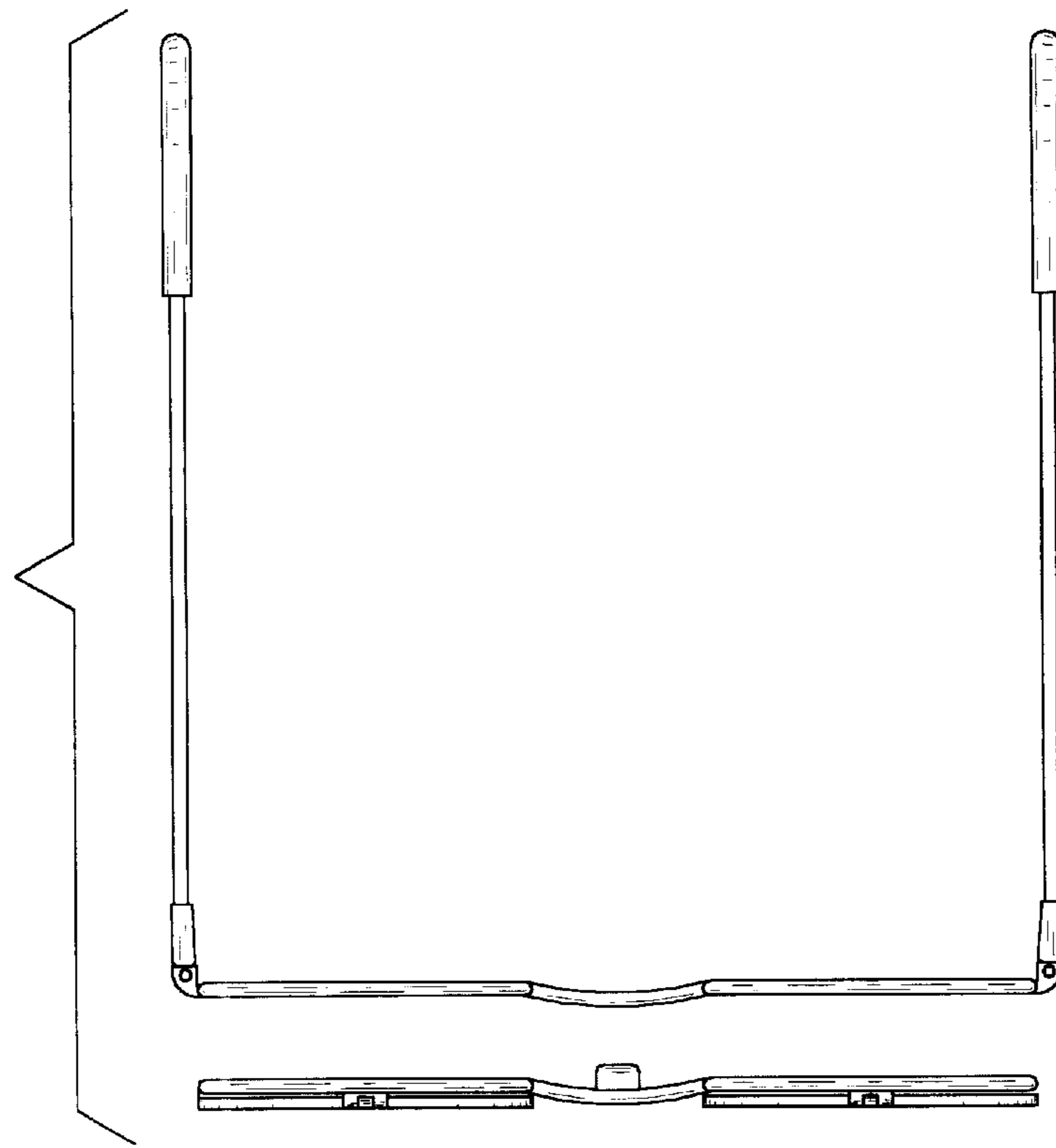


*Fig. 2*

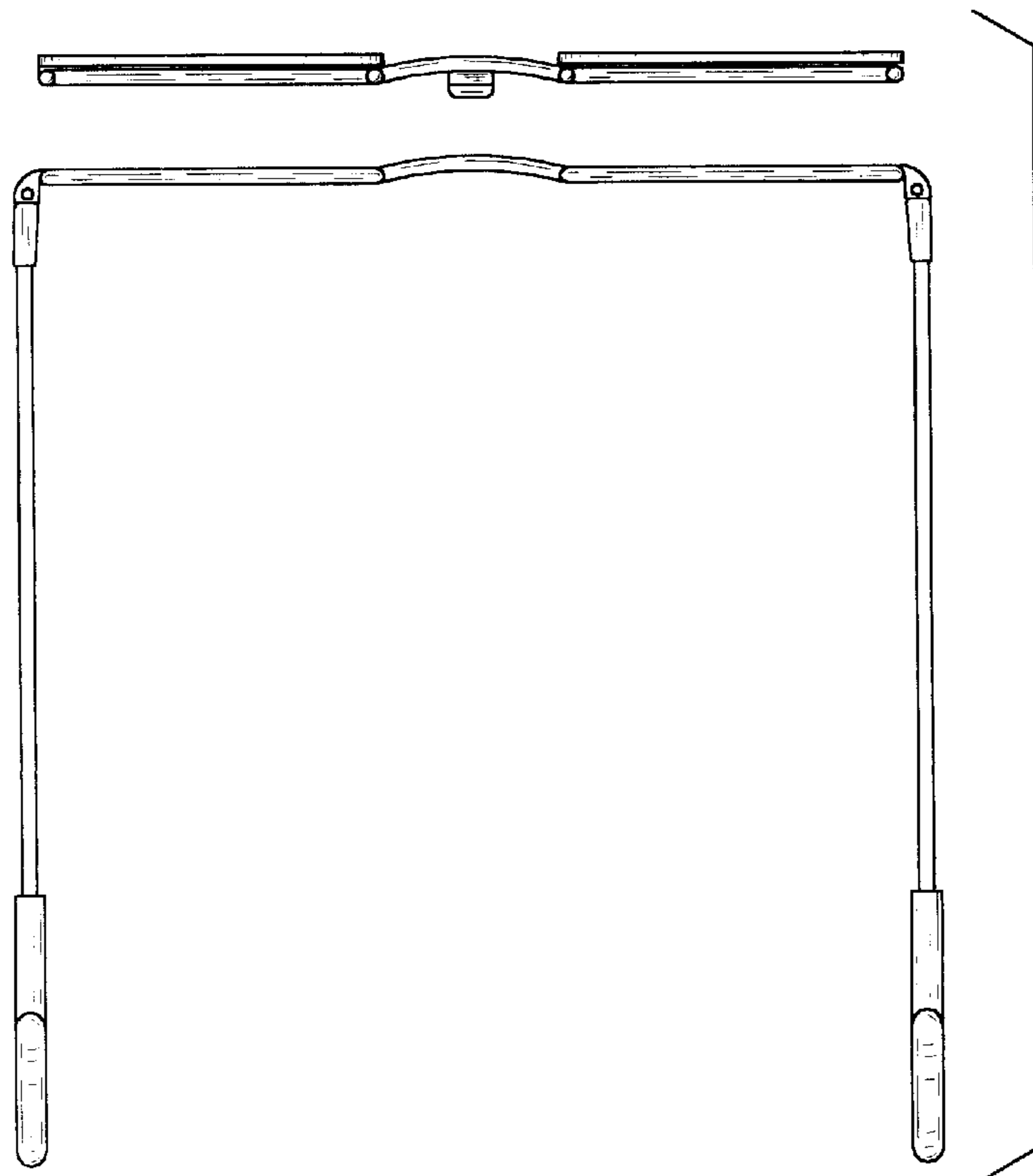


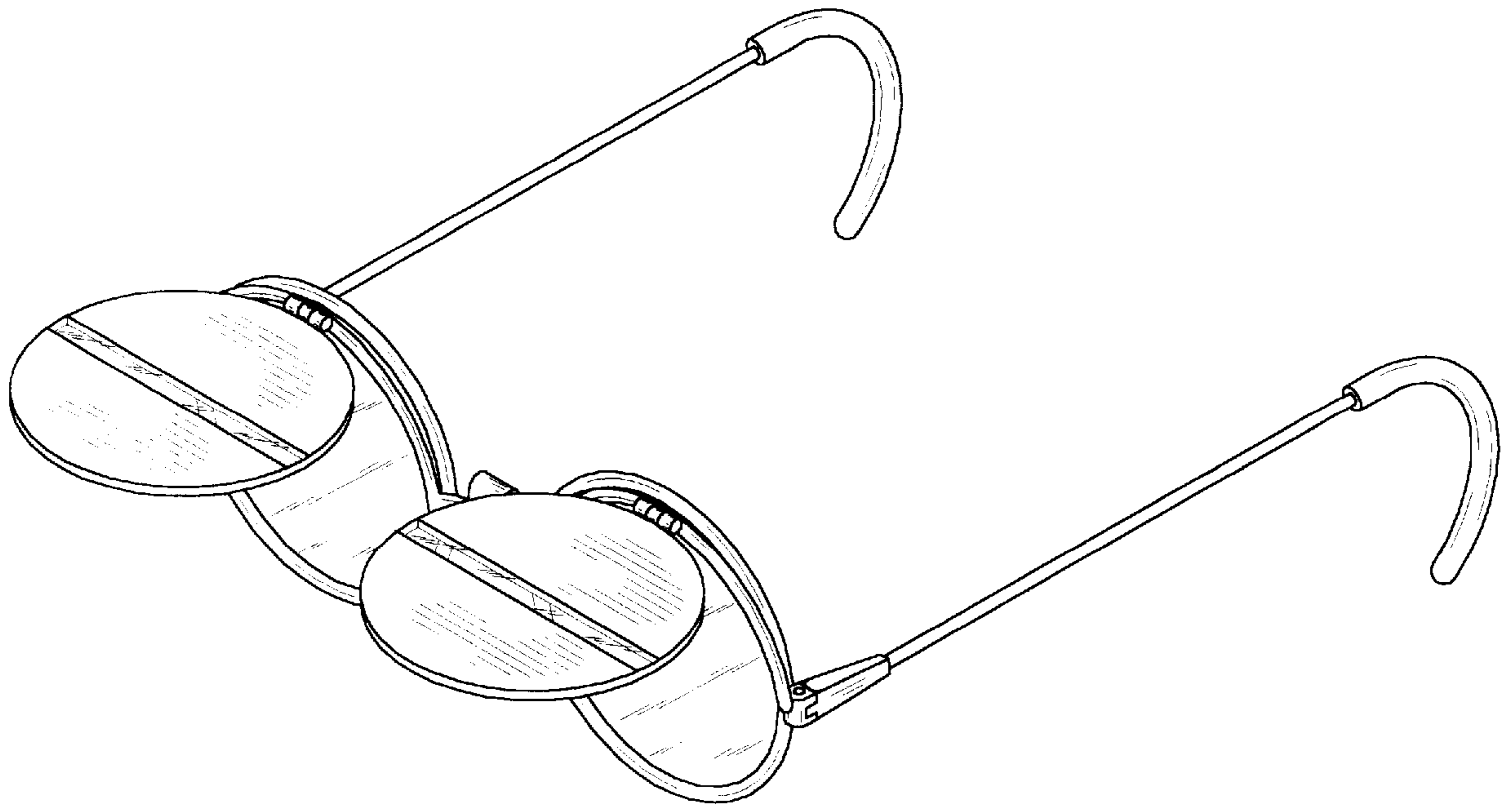


*Fig. 5*



*Fig. 6*





*Fig. 7*