



US00D422293S

United States Patent [19]
Harata

[11] **Patent Number: Des. 422,293**
[45] **Date of Patent: ** Apr. 4, 2000**

[54] **LIGHT FOR VIDEO CAMERA**
[75] Inventor: **Tomohiro Harata**, Tokyo, Japan
[73] Assignee: **Sony Corporation**, Tokyo, Japan
[**] Term: **14 Years**
[21] Appl. No.: **29/088,100**
[22] Filed: **May 15, 1998**
[51] **LOC (6) Cl. 16-05**
[52] **U.S. Cl. D16/239**
[58] **Field of Search** D16/237, 239,
D16/240; D26/24, 37, 38; 362/3, 8, 16-18;
396/155, 174

[56] **References Cited**
U.S. PATENT DOCUMENTS
D. 221,895 9/1971 Angibaud D26/37
D. 247,439 3/1978 Asaki D16/239
D. 252,209 6/1979 Taylor D16/239
D. 342,753 12/1993 Haga D16/239
4,233,648 11/1980 Geissler 362/17

OTHER PUBLICATIONS
Sony Catalog 63, pp.p 28-30 (Mar., 1998).
Primary Examiner—Adir Aronovich
Attorney, Agent, or Firm—Foley & Lardner

[57] **CLAIM**
The ornamental design for a light for video camera, as shown and described.

DESCRIPTION
FIG. 1 is a perspective view of a first embodiment of a light for video camera showing my new design;
FIG. 2 is a top plan view thereof;
FIG. 3 is a front elevational view thereof;
FIG. 4 is a bottom plan view thereof;
FIG. 5 is a right side elevational view thereof, the left side elevational view being the mirror image; and
FIG. 6 is a rear elevational view thereof.
FIG. 7 is a perspective view of a second embodiment of a light for video camera showing my new design;
FIG. 8 is a top plan view thereof;
FIG. 9 is a front elevational view thereof;
FIG. 10 is a bottom plan view thereof;
FIG. 11 is a right side elevational view thereof, the left side elevational view being the mirror image; and,
FIG. 12 is a rear elevational view thereof.

1 Claim, 6 Drawing Sheets

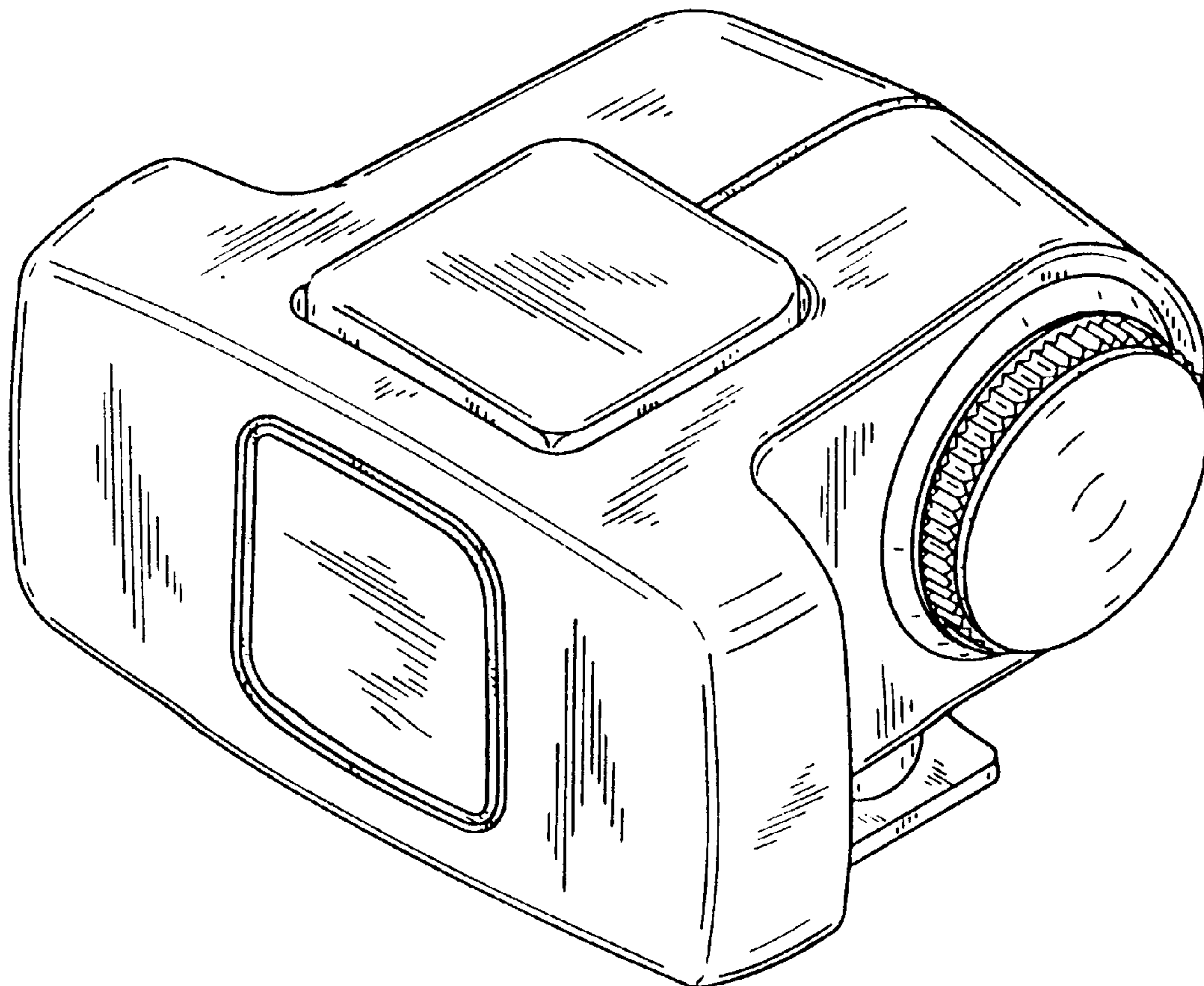


FIG. 6

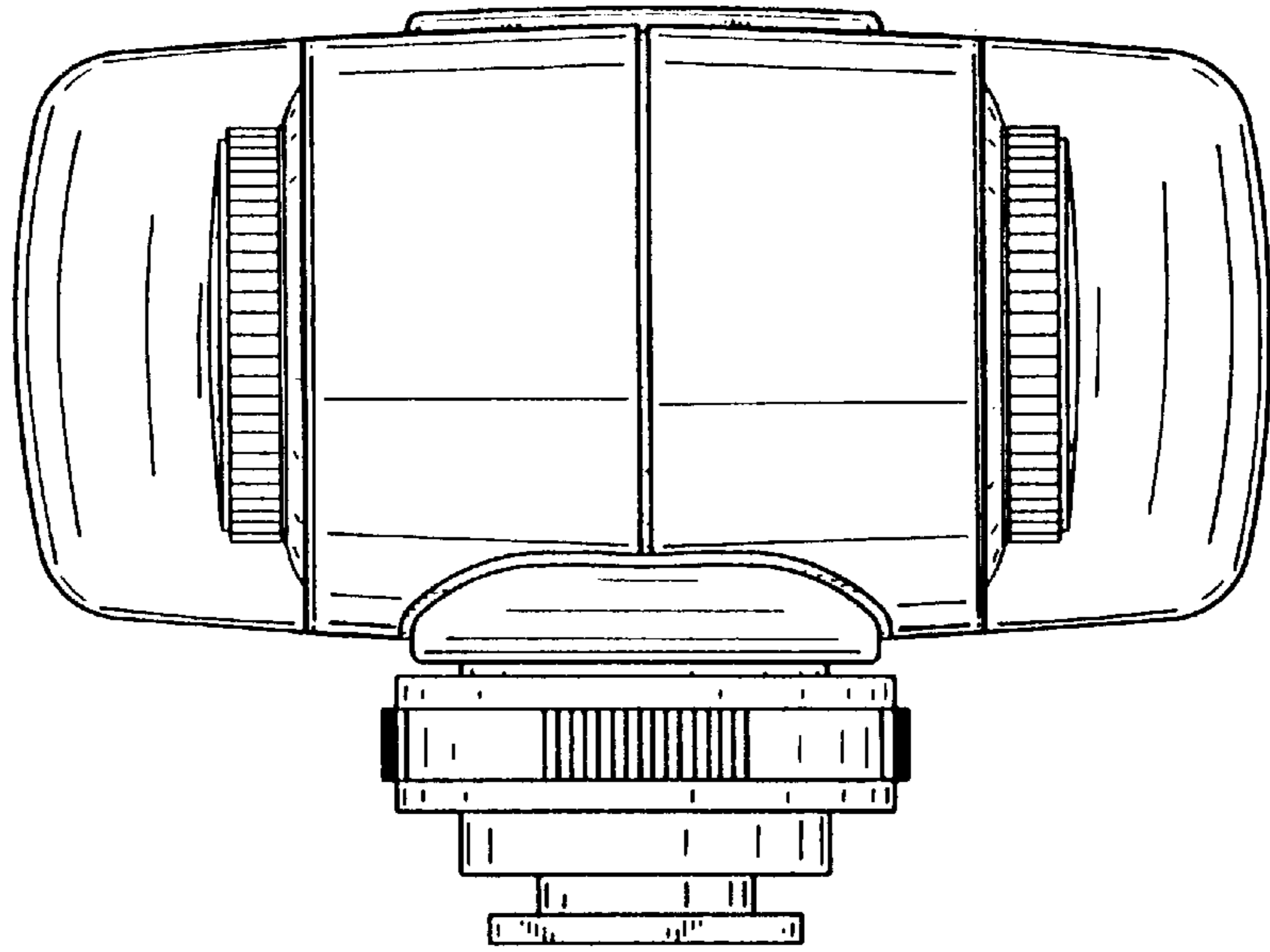


FIG. 1

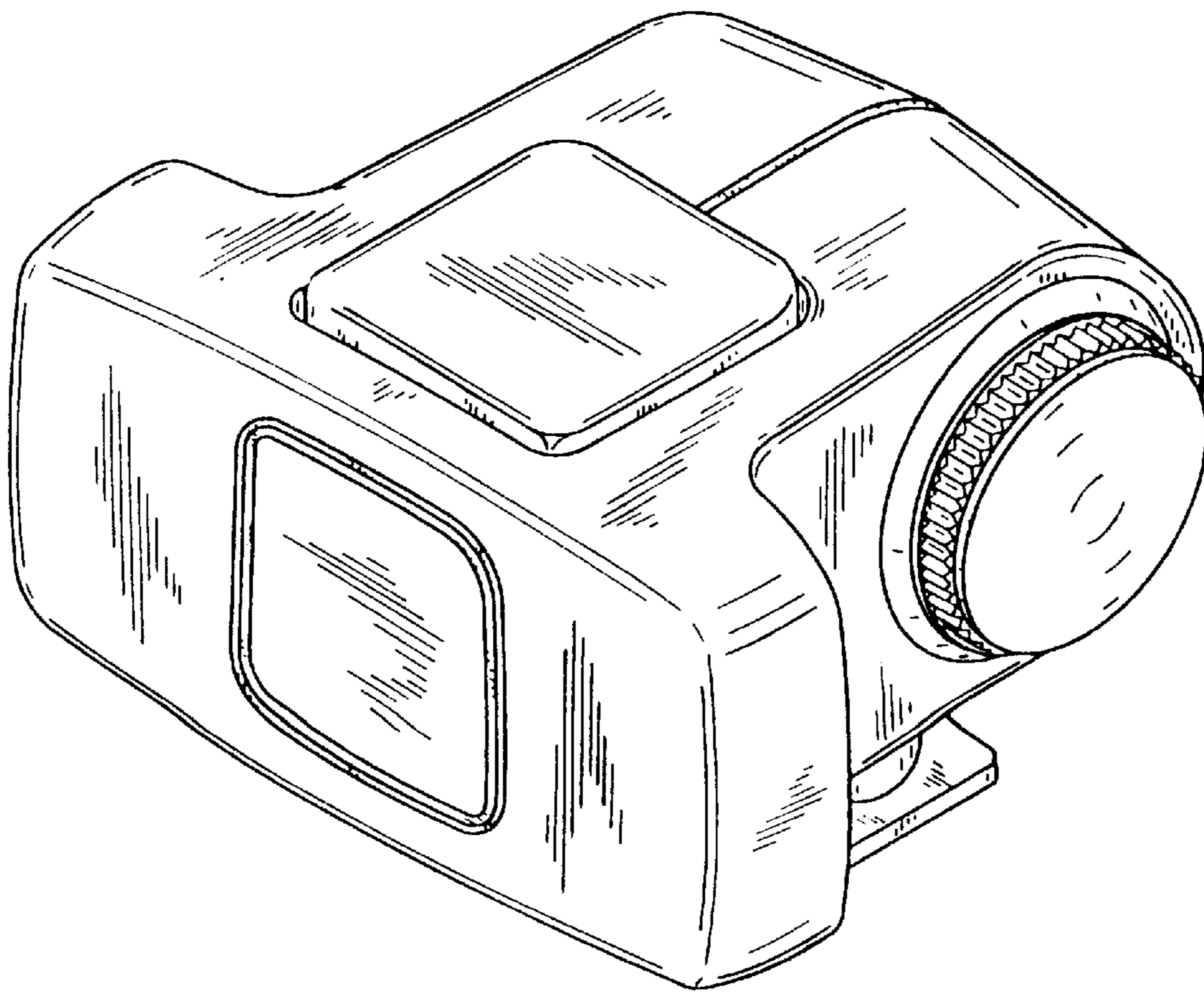


FIG. 2

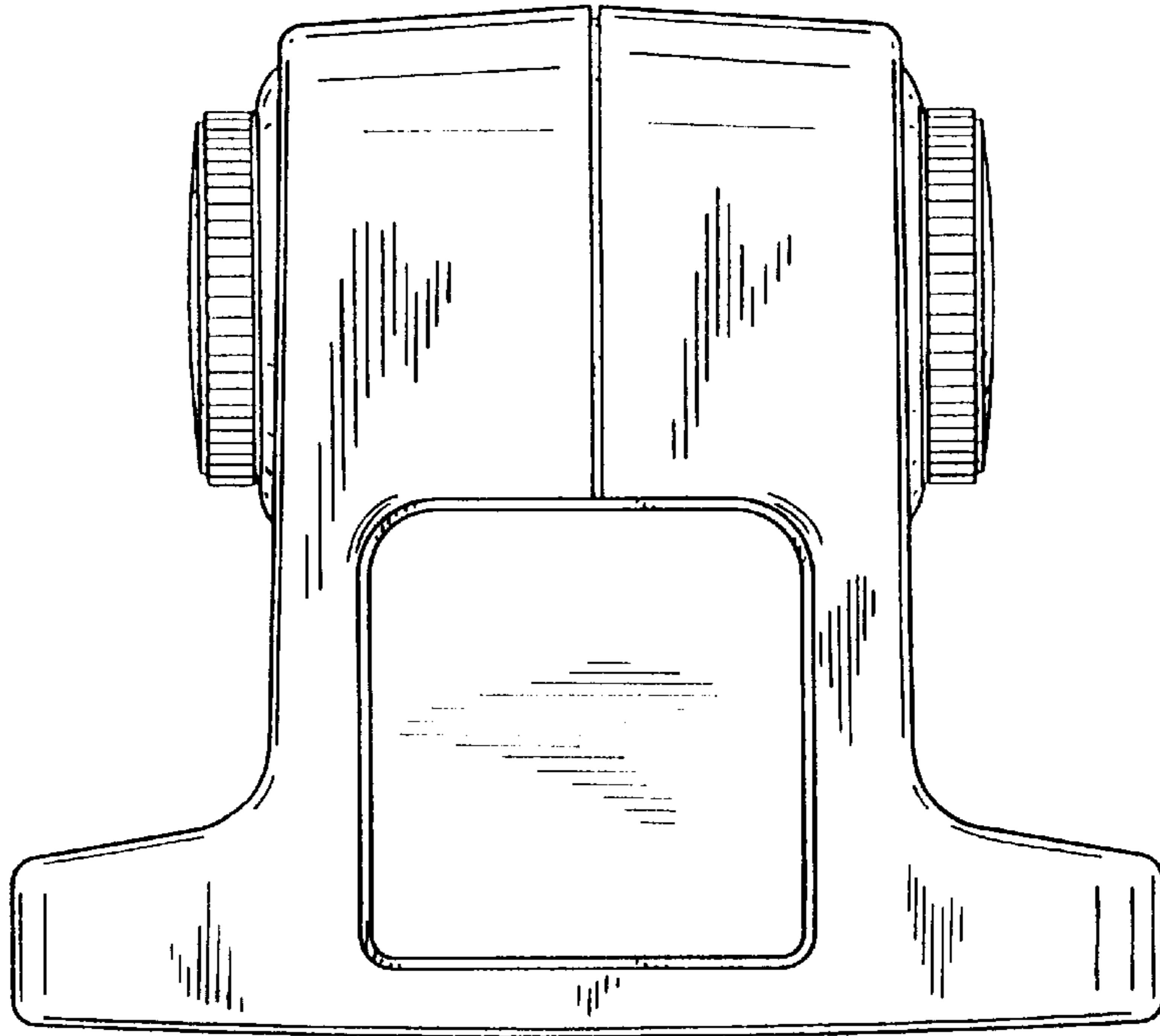


FIG. 3

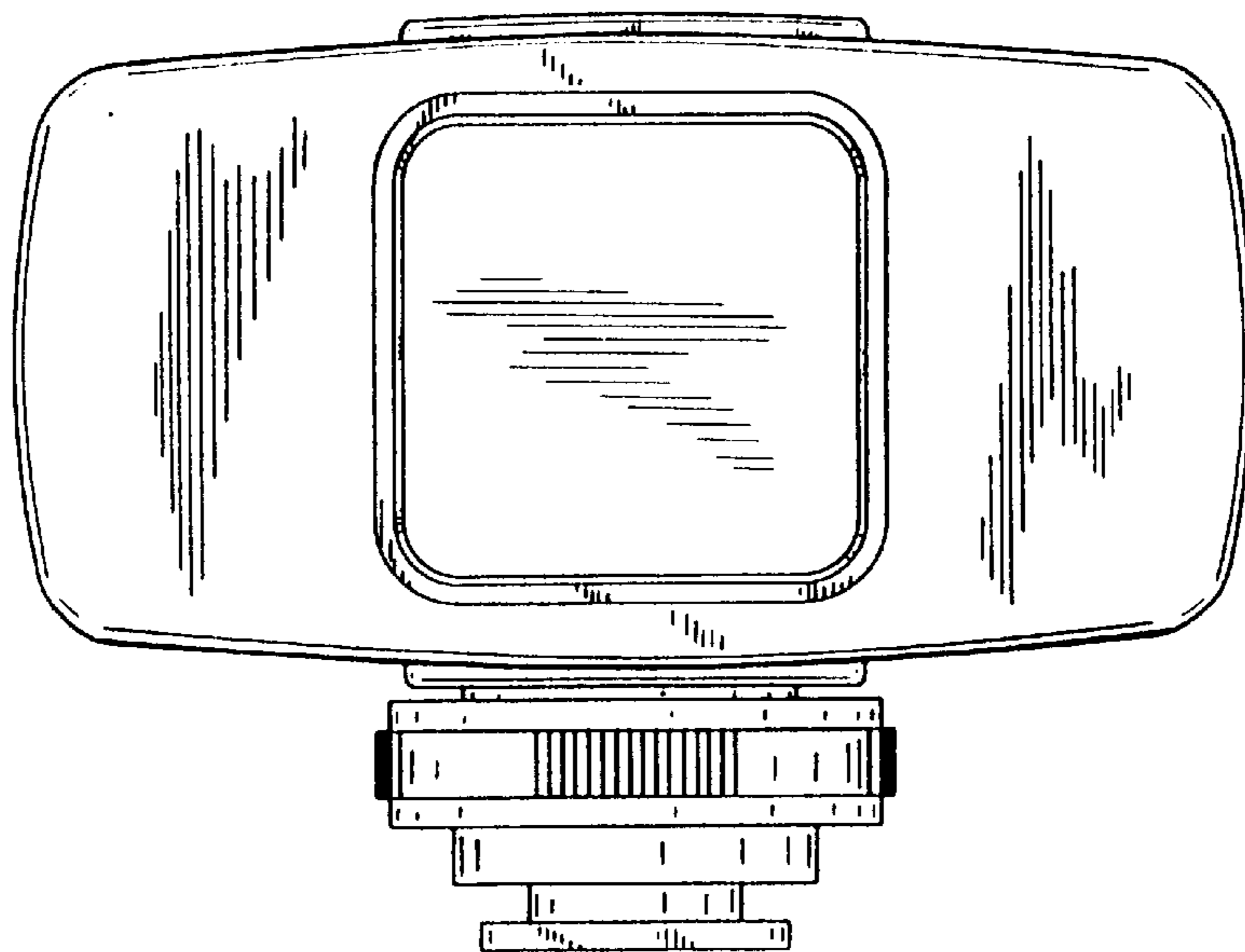


FIG.5

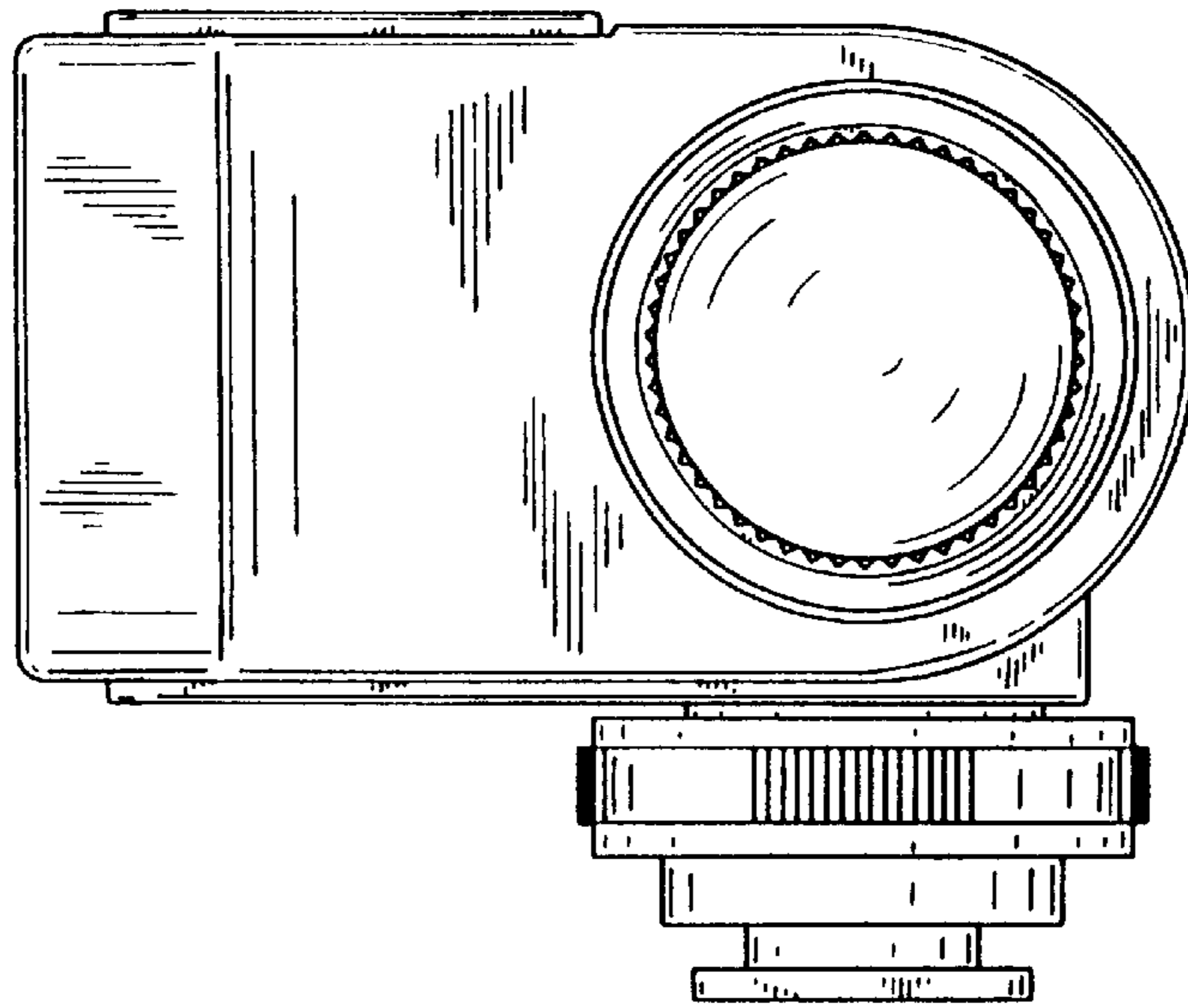


FIG.4

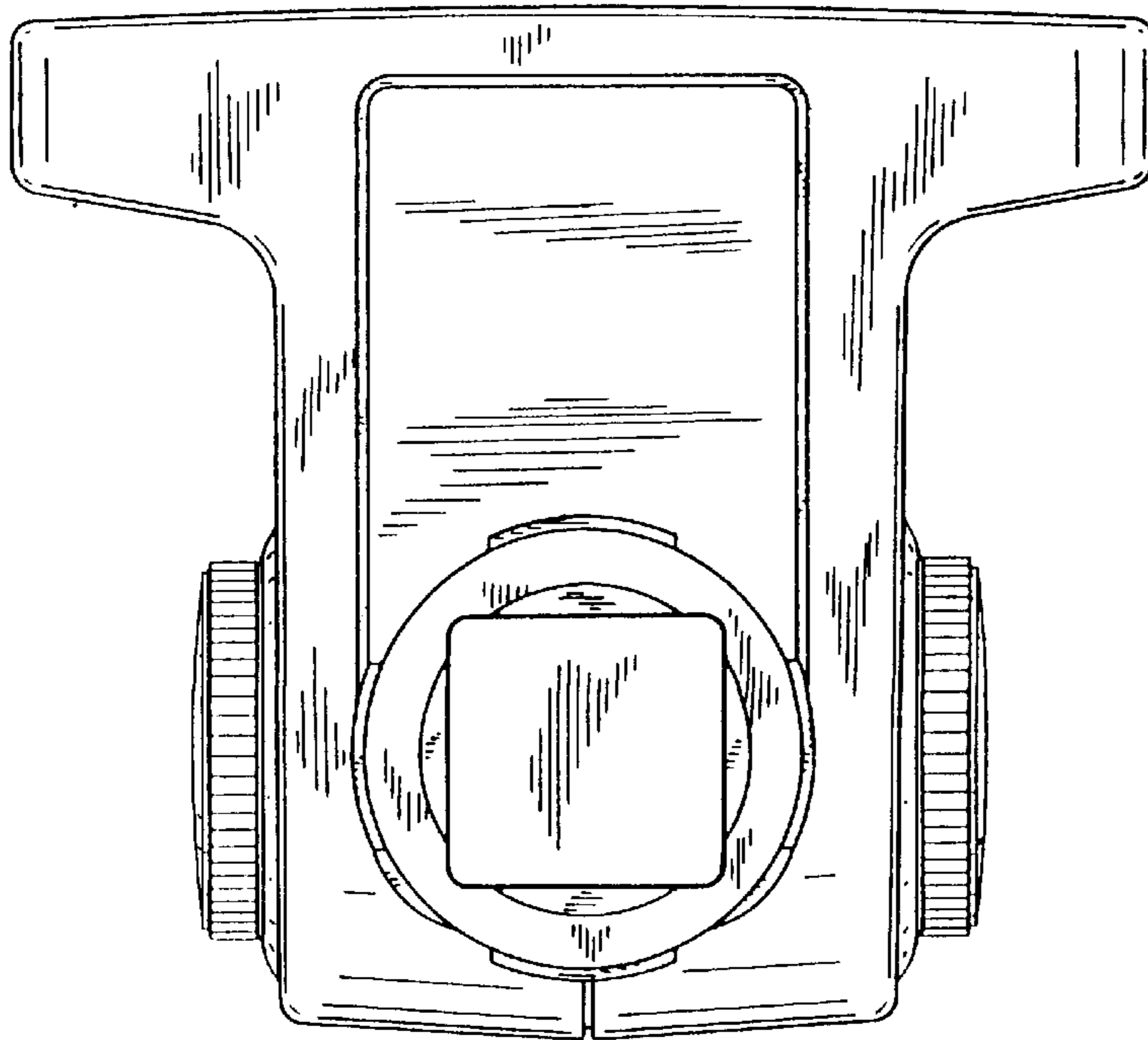


FIG. 12

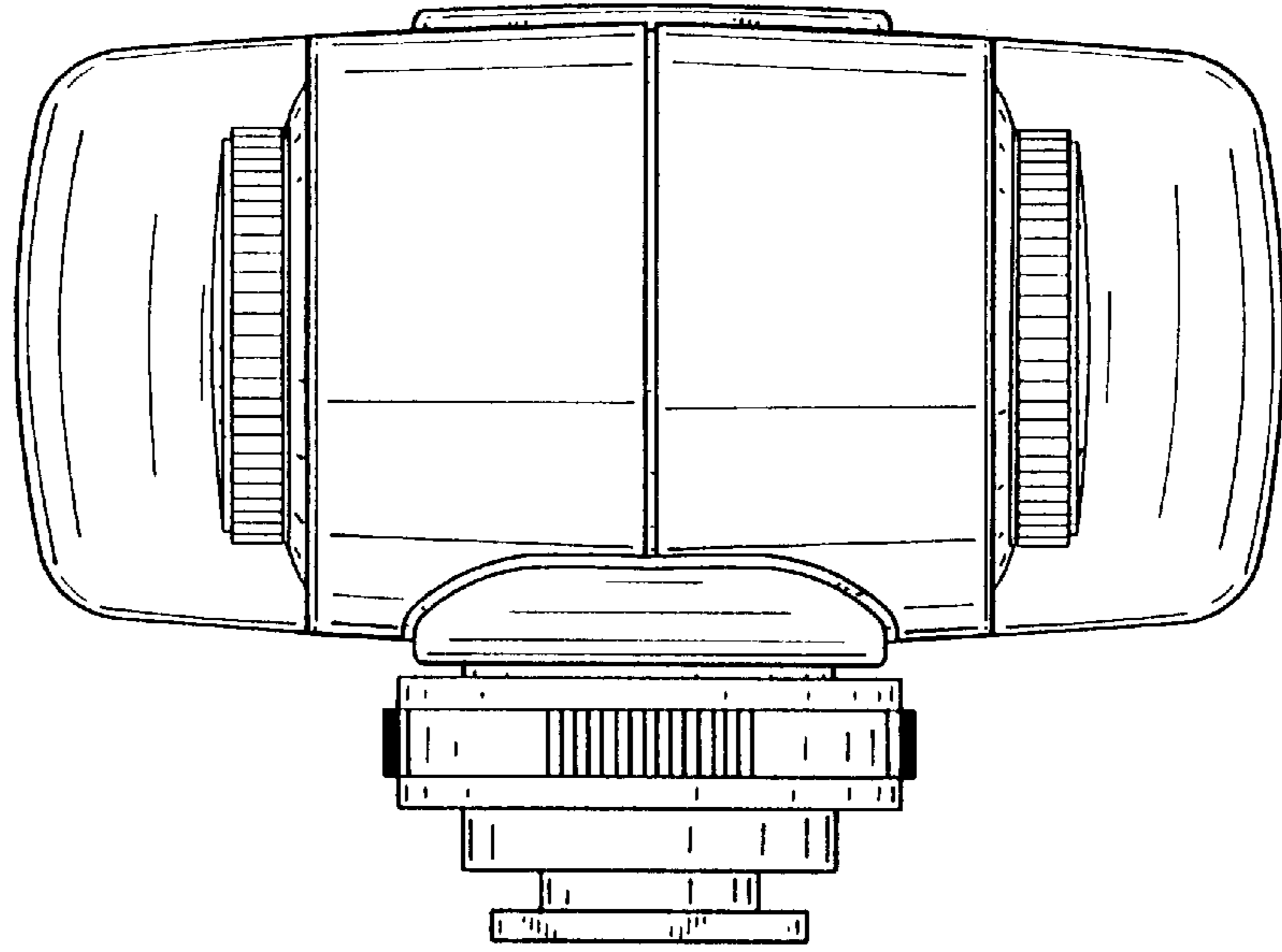


FIG. 7

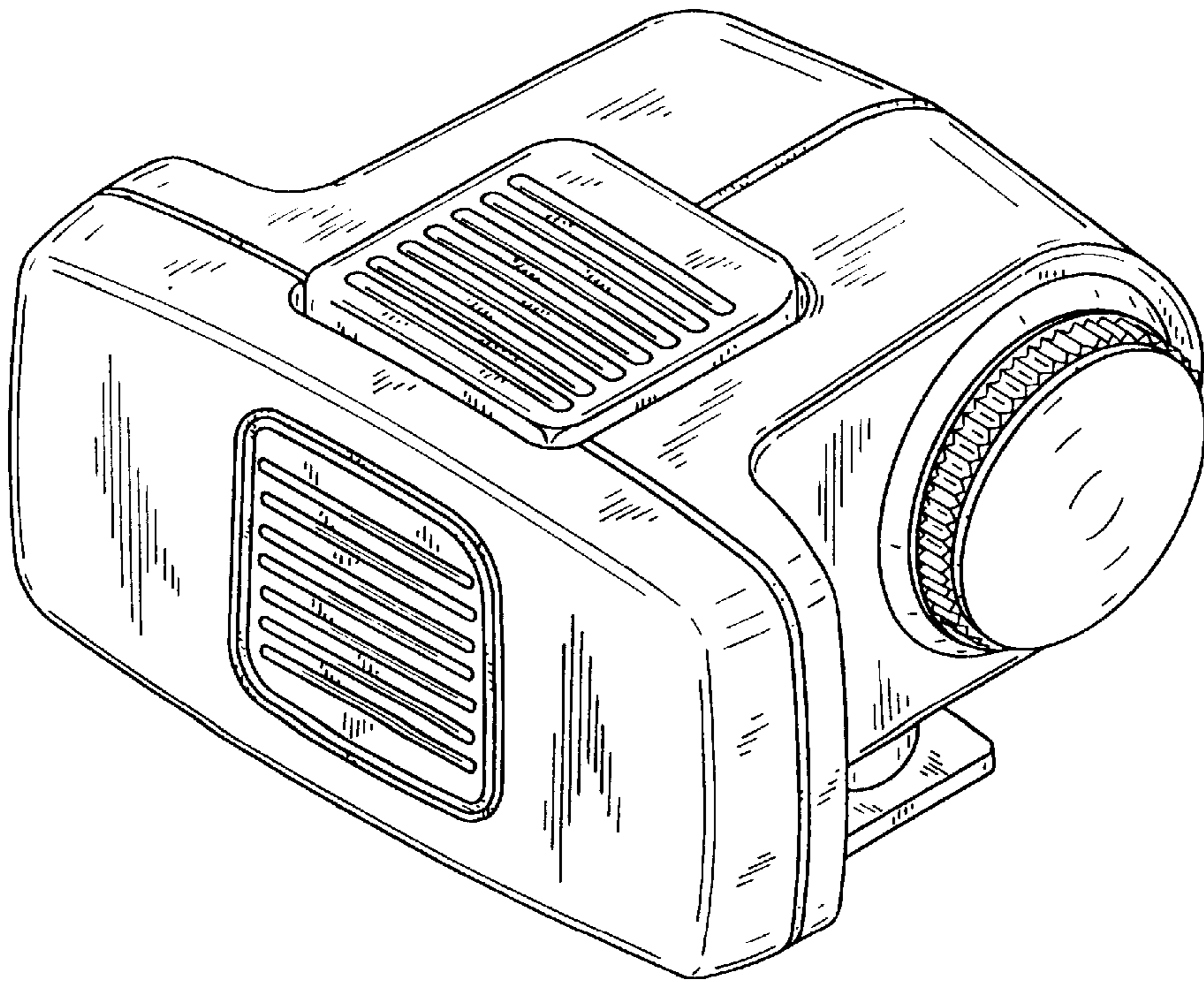


FIG. 8

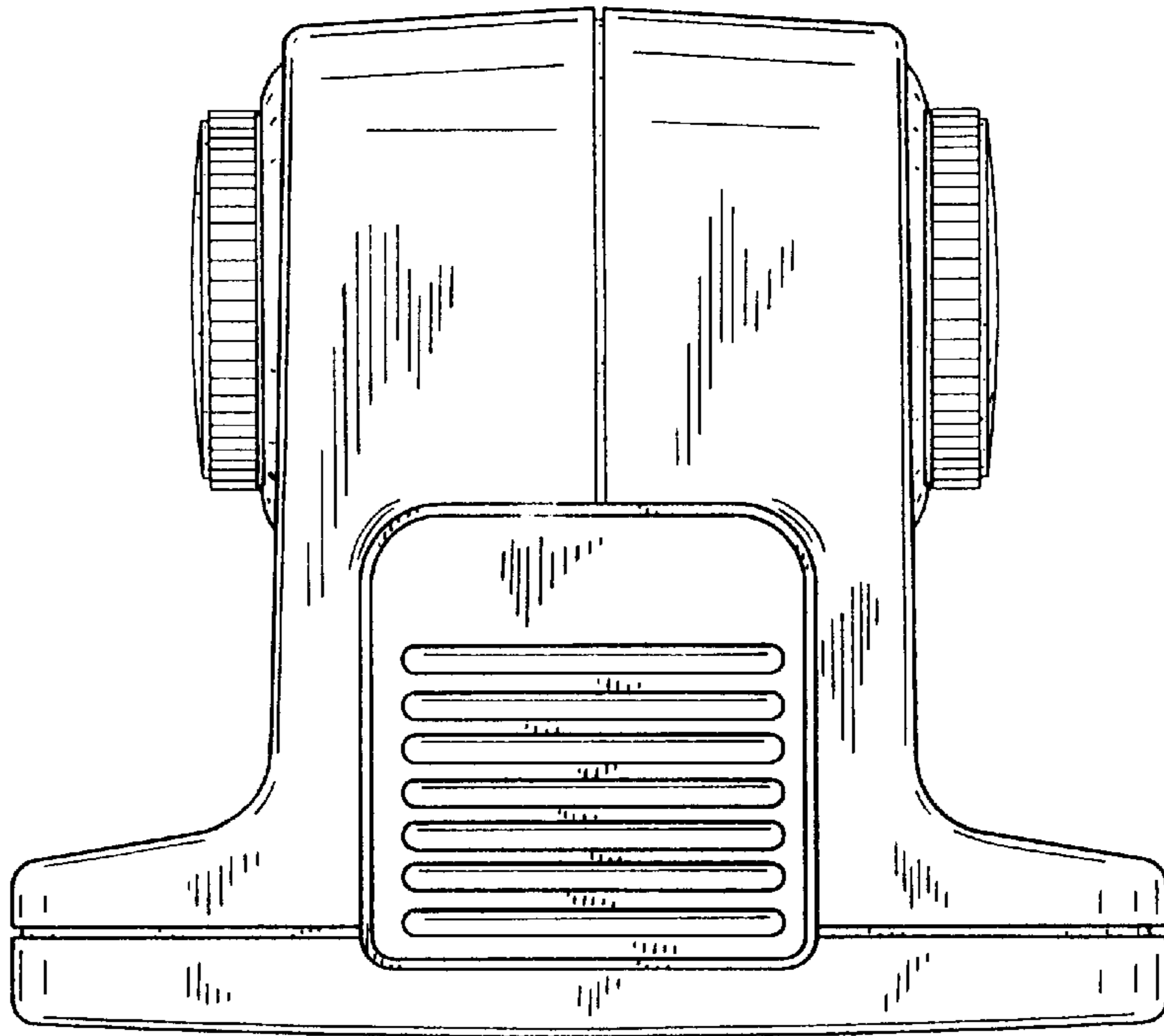


FIG. 9

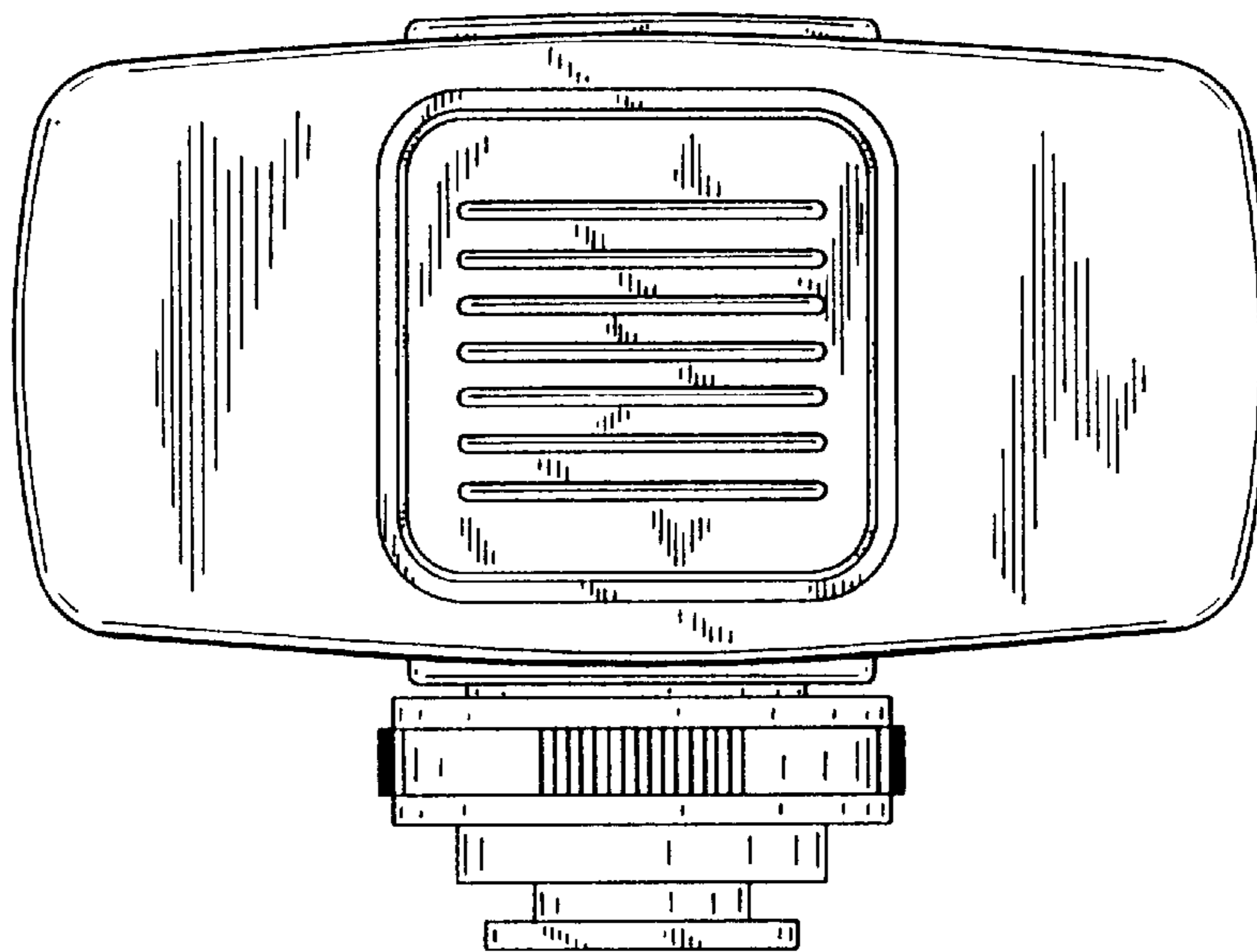


FIG. 11

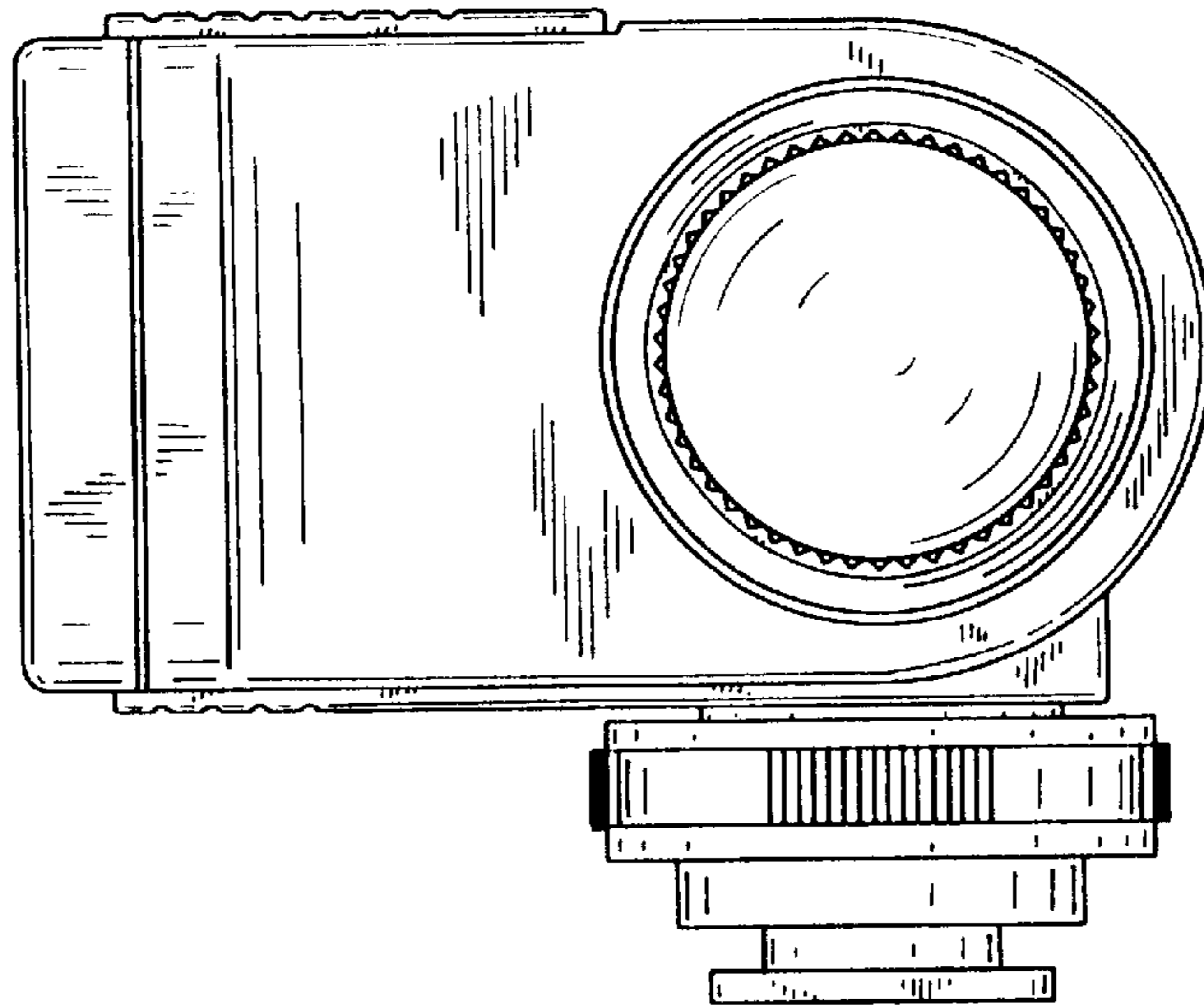


FIG. 10

