



US00D422292S

United States Patent [19] Takizawa

[11] Patent Number: **Des. 422,292**

[45] Date of Patent: **** Apr. 4, 2000**

[54] **IMAGE PROJECTOR**

[75] Inventor: **Sakiko Takizawa**, Kawasaki, Japan

[73] Assignee: **Canon Kabushiki Kaisha**, Tokyo, Japan

[**] Term: **14 Years**

[21] Appl. No.: **29/104,373**

[22] Filed: **May 4, 1999**

[30] **Foreign Application Priority Data**

Nov. 6, 1998 [JP] Japan 10-032199

[51] **LOC (6) Cl.** **16-02**

[52] **U.S. Cl.** **D16/231; D16/225**

[58] **Field of Search** D16/200-205,
D16/208, 213, 221, 225, 231, 234; D21/514;
352/34, 242, 243; 353/115, 119, 122

[56] **References Cited**

U.S. PATENT DOCUMENTS

D. 371,148 6/1996 Kobayashi D16/221
D. 388,111 12/1997 Iida D16/231

D. 400,902 11/1998 Yamazaki et al. D16/225
D. 401,261 11/1998 Yamazaki et al. D16/225
5,676,442 10/1997 Fujimori 353/119

OTHER PUBLICATIONS

Sanyo catalog, Aug. 1997 cover page (LP-XG70 projector).

Primary Examiner—Adir Aronovich
Attorney, Agent, or Firm—Fitzpatrick, Cella, Harper & Scinto

[57] **CLAIM**

The ornamental design for an image projector, as shown and described.

DESCRIPTION

FIG. 1 is a front view of an image projector showing my new design;
FIG. 2 is a rear view thereof;
FIG. 3 is a top plan view thereof;
FIG. 4 is a bottom plan view thereof;
FIG. 5 is a left side view thereof;
FIG. 6 is a right side view thereof; and,
FIG. 7 is a perspective view thereof.

1 Claim, 6 Drawing Sheets

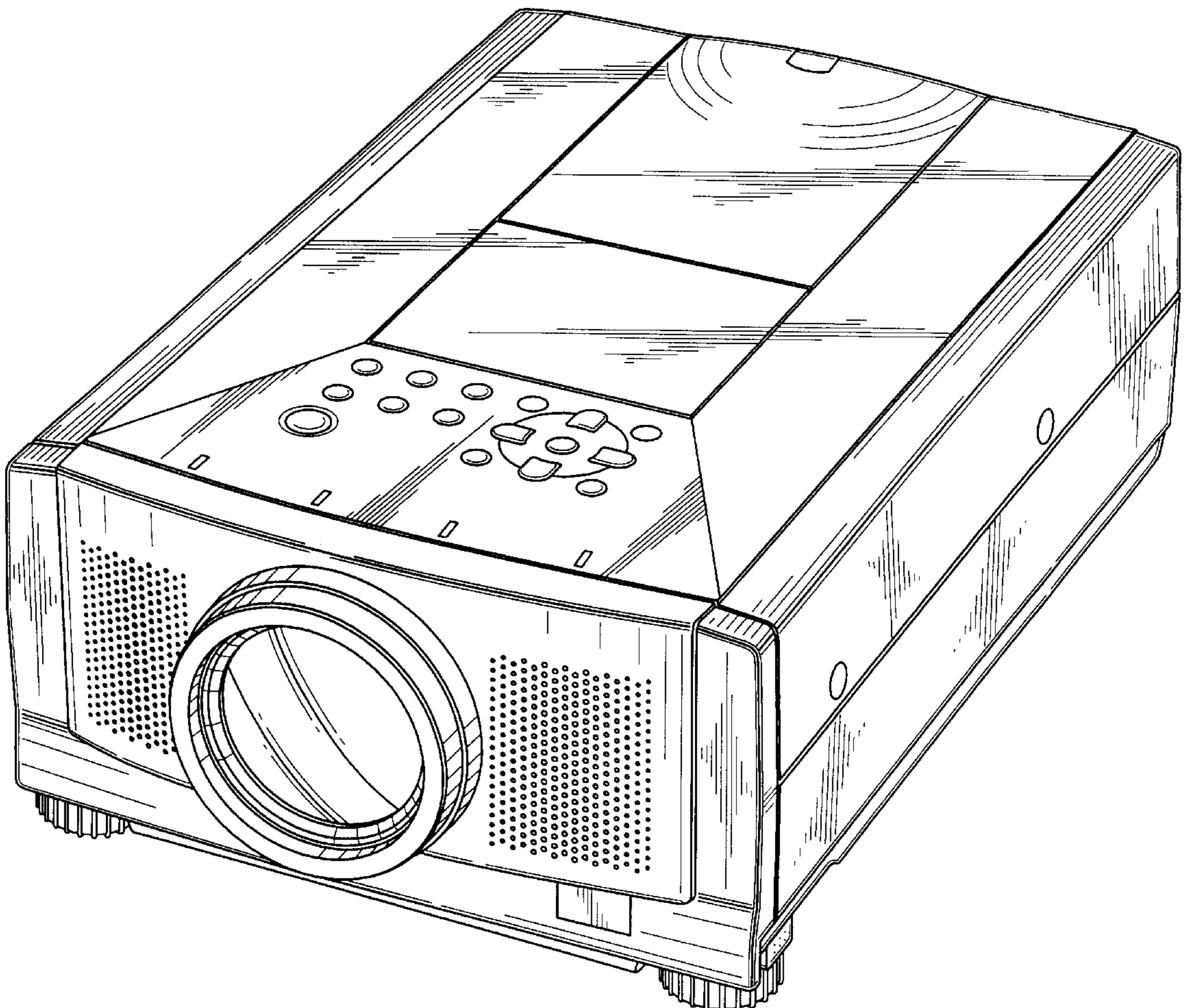


FIG. 1

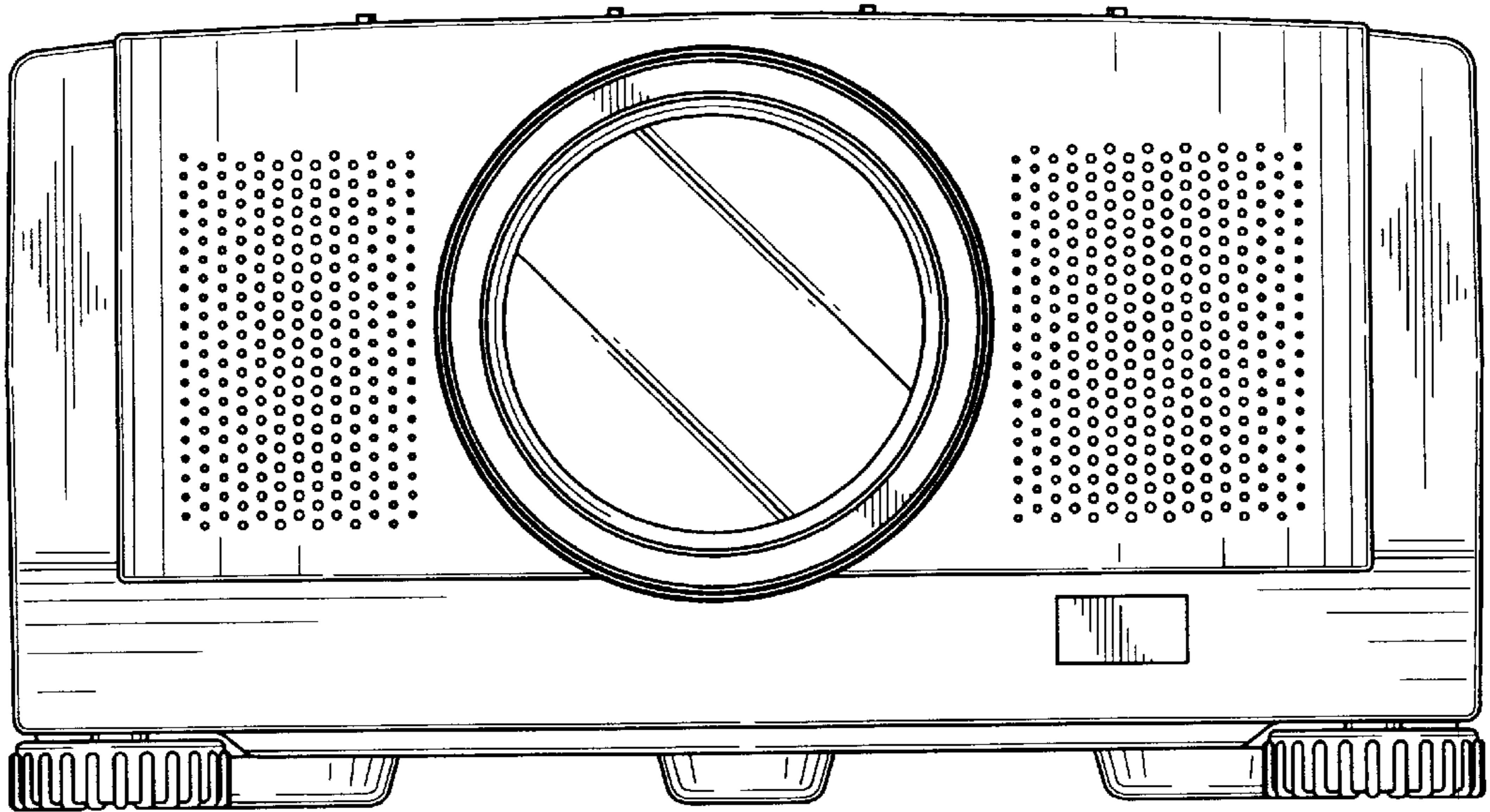


FIG. 2

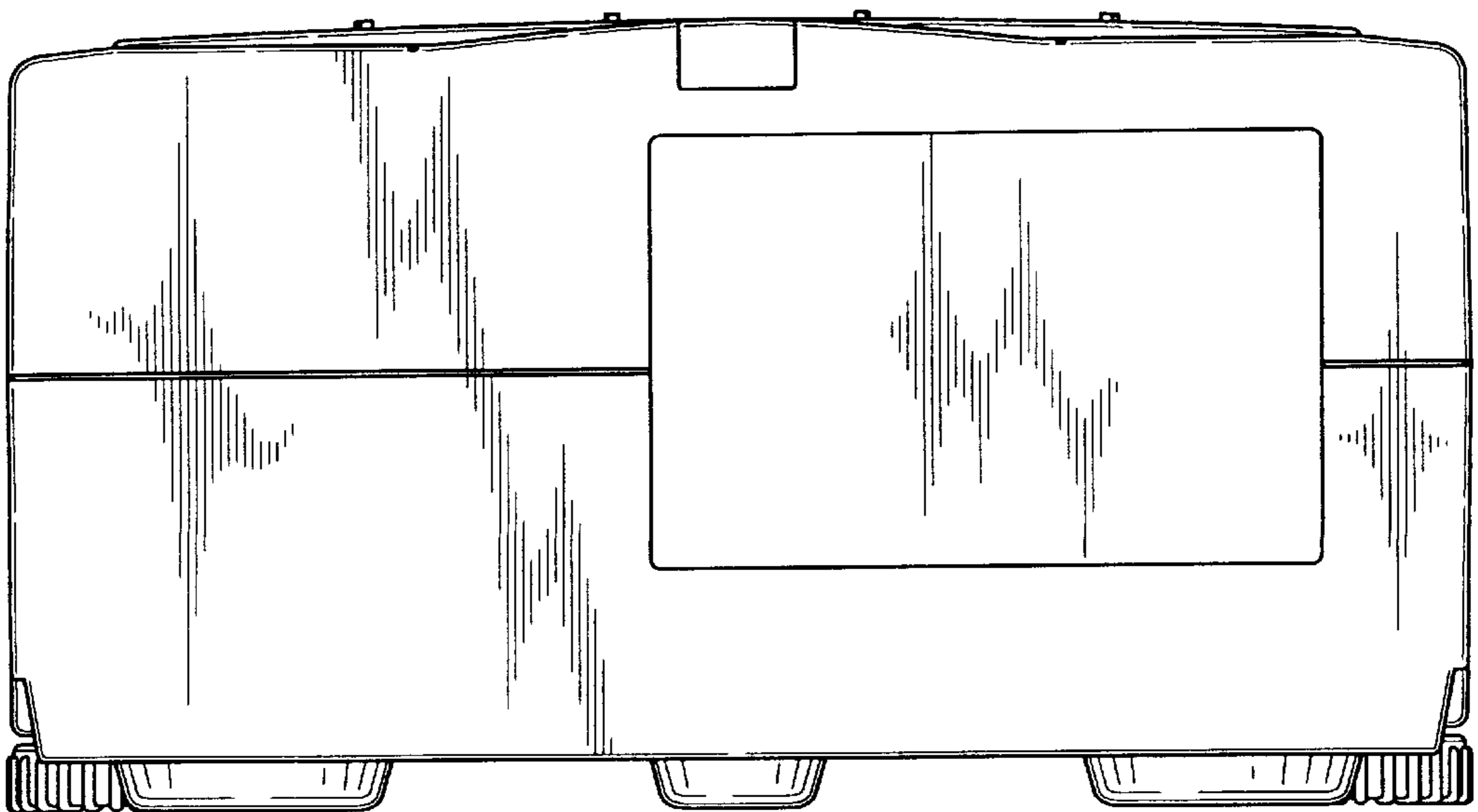


FIG. 3

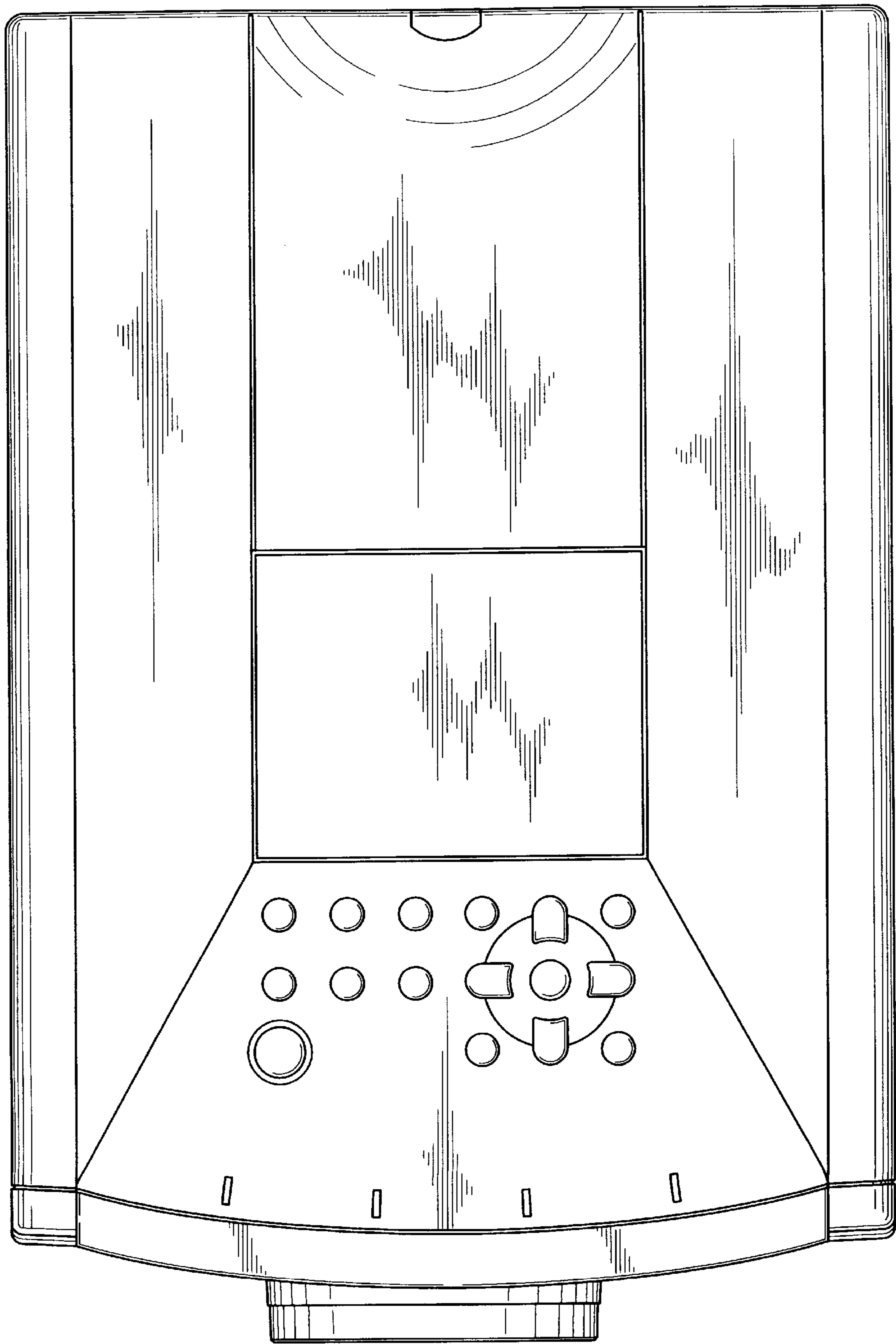


FIG. 4

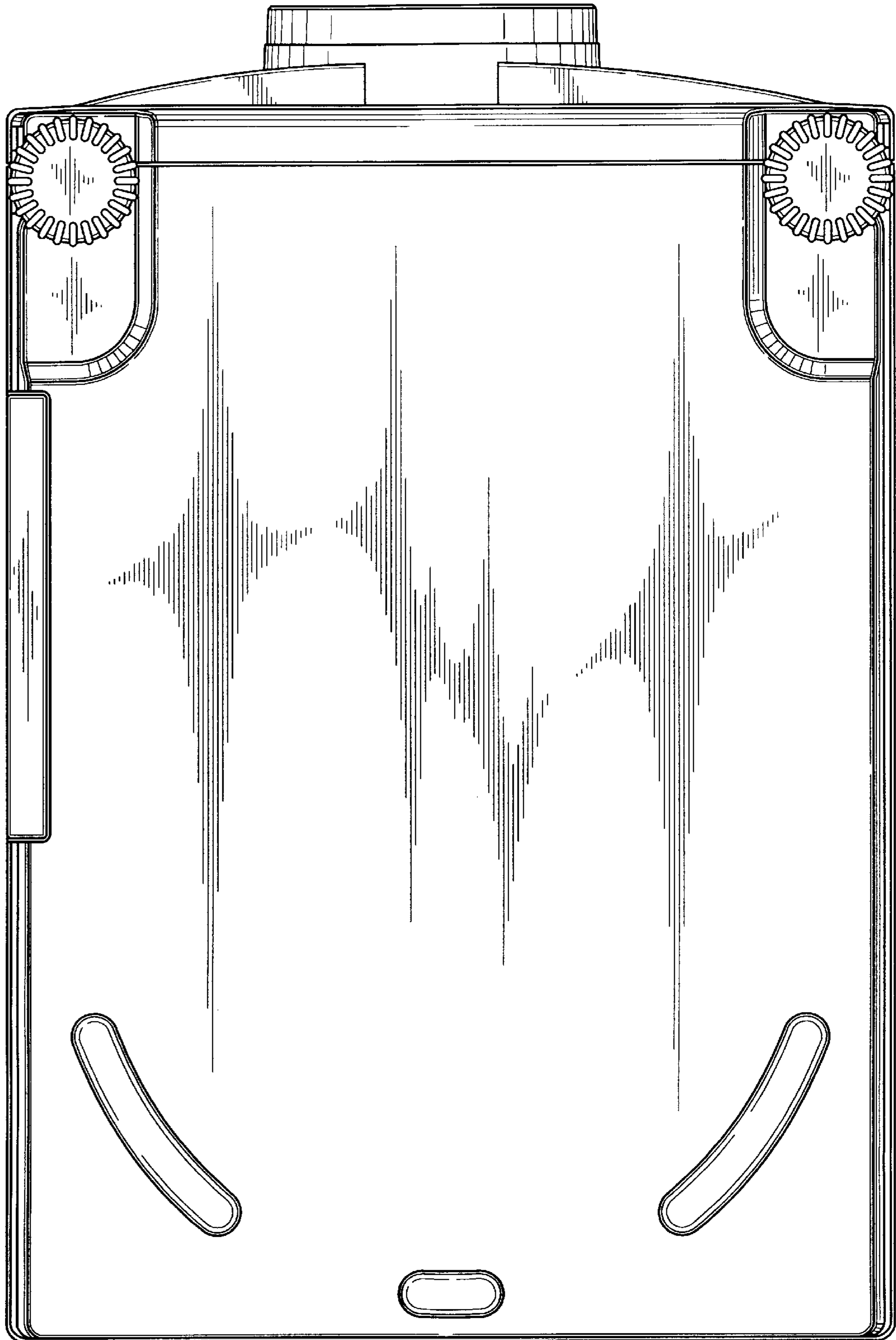


FIG. 5

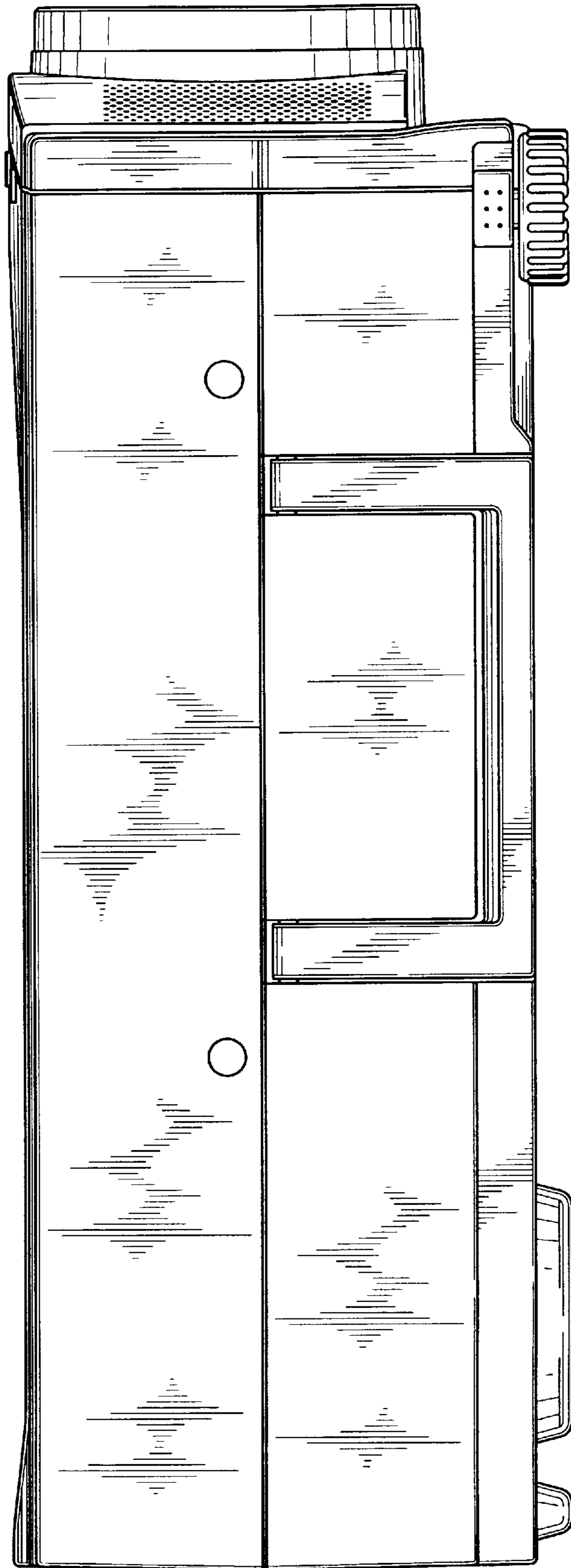
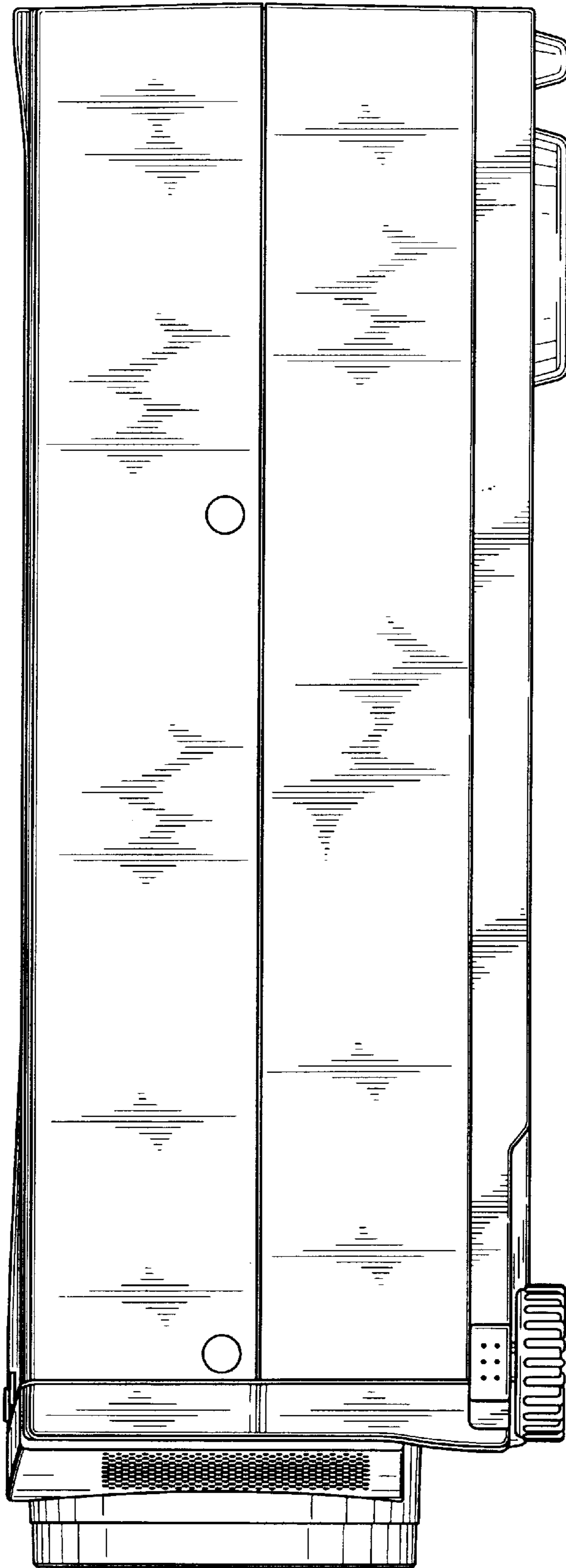


FIG. 6



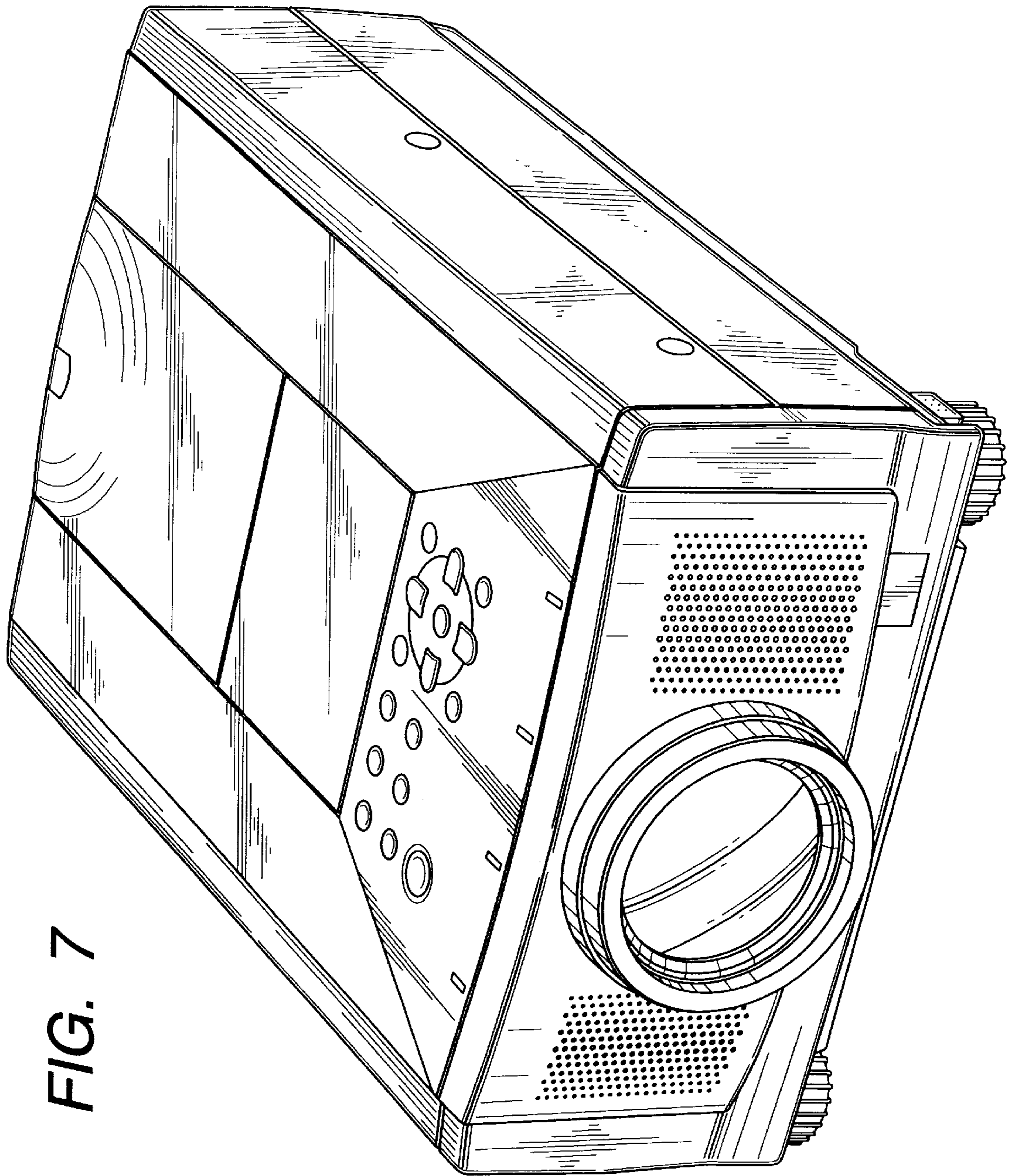


FIG. 7