



US00D422291S

United States Patent [19]

Senda

[11] Patent Number: **Des. 422,291**

[45] Date of Patent: **** Apr. 4, 2000**

[54] **ELECTRONIC STILL CAMERA**

[75] Inventor: **Yutaka Senda**, Tokyo, Japan

[73] Assignee: **Fuji Photo Film Co., Ltd.**,
Minami-Ashigara, Japan

[**] Term: **14 Years**

[21] Appl. No.: **29/108,588**

[22] Filed: **Aug. 2, 1999**

[30] **Foreign Application Priority Data**

Feb. 2, 1999 [JP] Japan 11-2275

[51] **LOC (6) Cl.** **16-01**

[52] **U.S. Cl.** **D16/202; D16/218**

[58] **Field of Search** D16/200-206,
D16/208, 209, 217, 218; 348/373-376;
358/906, 909.1; 396/176-178, 535-541

[56] **References Cited**

U.S. PATENT DOCUMENTS

- D. 244,686 6/1977 Hansen D16/218
- D. 369,819 5/1996 Mori D16/202
- D. 384,964 10/1997 Ito et al. D16/202
- D. 408,044 4/1999 Tanaka et al. D16/202

- D. 410,664 6/1999 Hibino D16/202
- 4,316,658 2/1982 Bundschuh et al. 396/177

Primary Examiner—Adir Aronovich
Attorney, Agent, or Firm—McGinn & Gibb P.C.

[57] **CLAIM**

The ornamental design of an electronic still camera, as shown and described.

DESCRIPTION

FIG. 1 is a front perspective view of an electronic still camera of the design;
 FIG. 2 is a front view of the electronic still camera of FIG. 1;
 FIG. 3 is a rear view of the electronic still camera of FIG. 1;
 FIG. 4 is a top plan view of the electronic still camera of FIG. 1;
 FIG. 5 is a bottom plan view of the electronic still camera of FIG. 1;
 FIG. 6 is a side view of the electronic still camera from the right of FIG. 2; and,
 FIG. 7 is a side view of the electronic still camera from the left of FIG. 2.

1 Claim, 3 Drawing Sheets

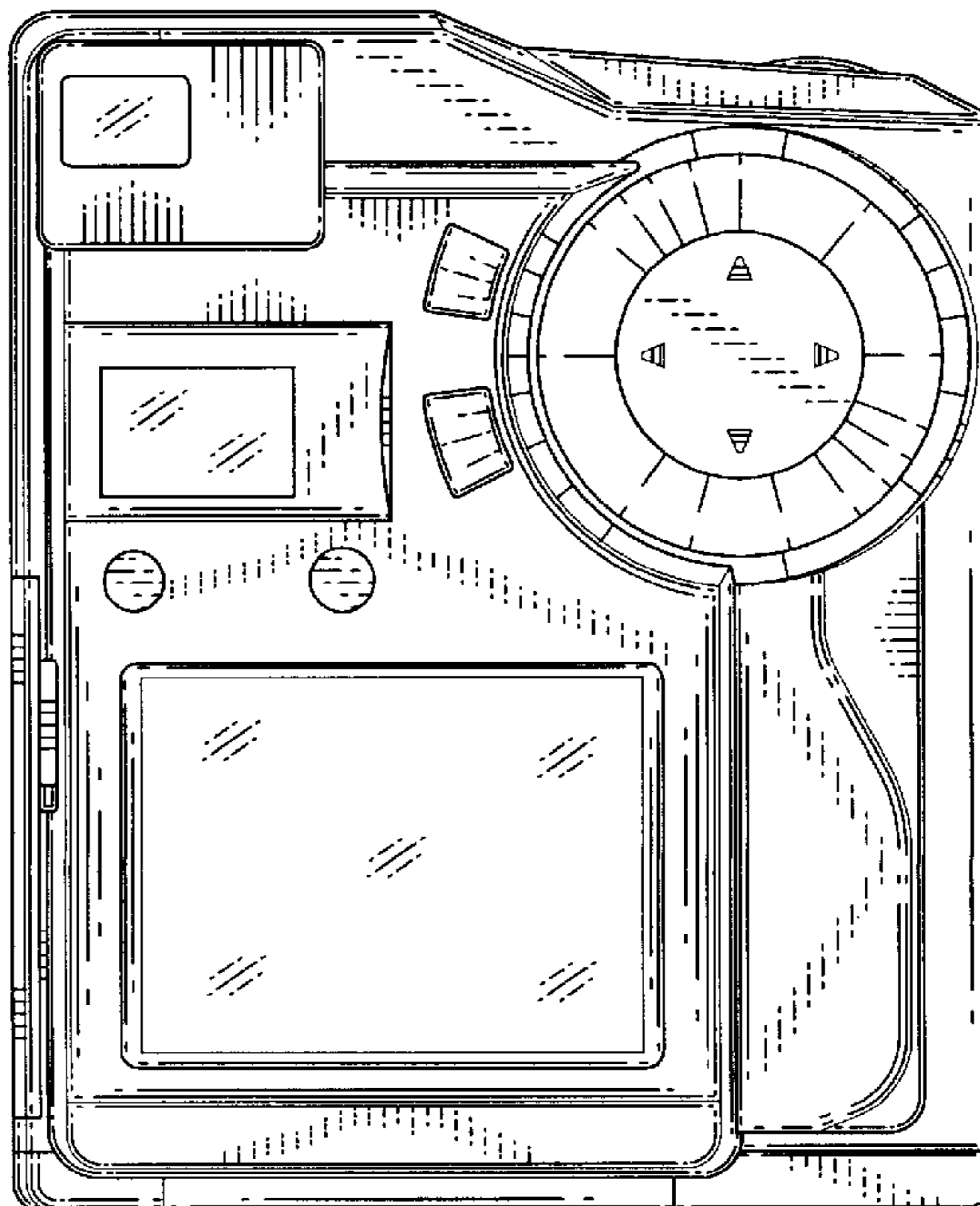
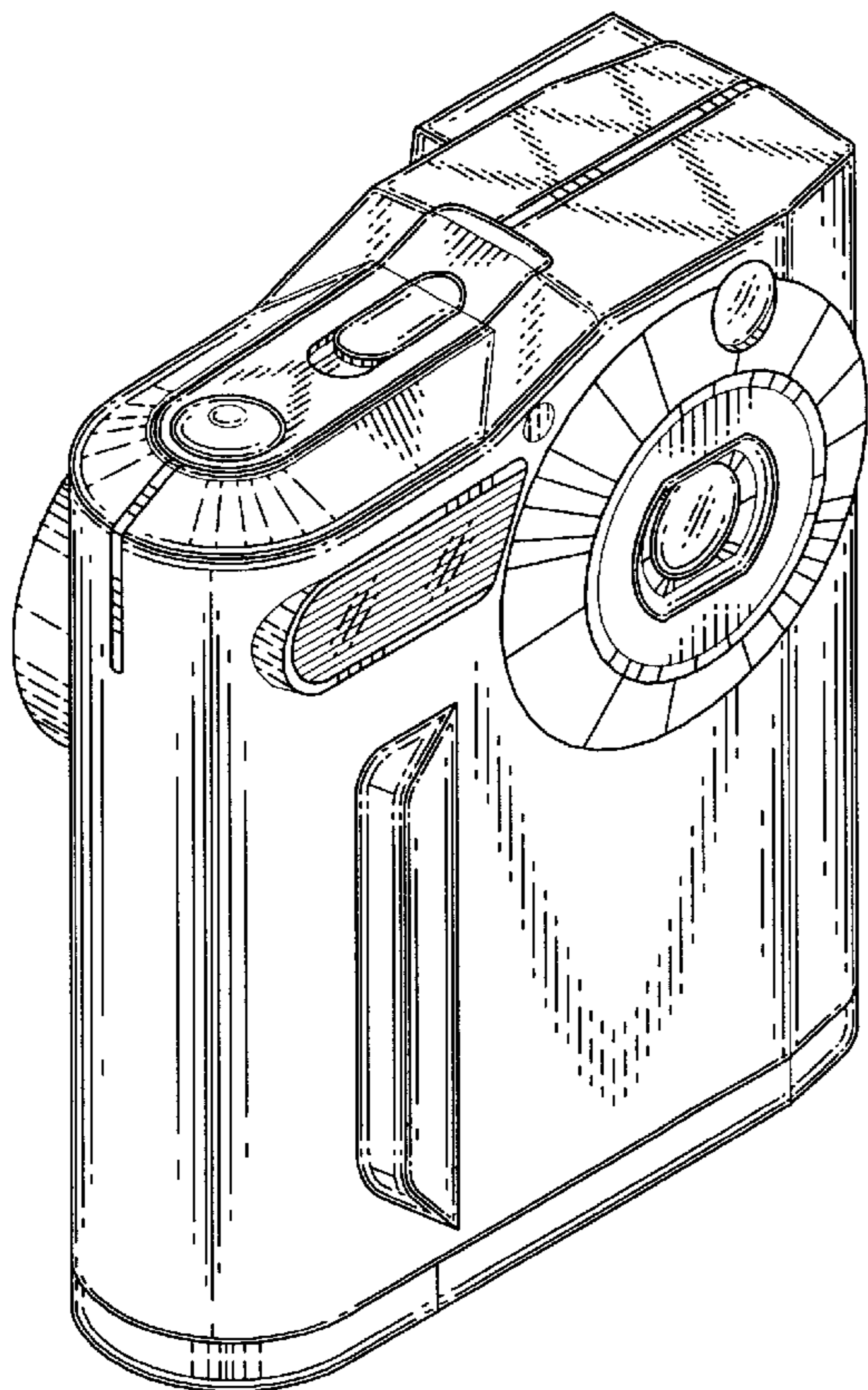


Fig. 1

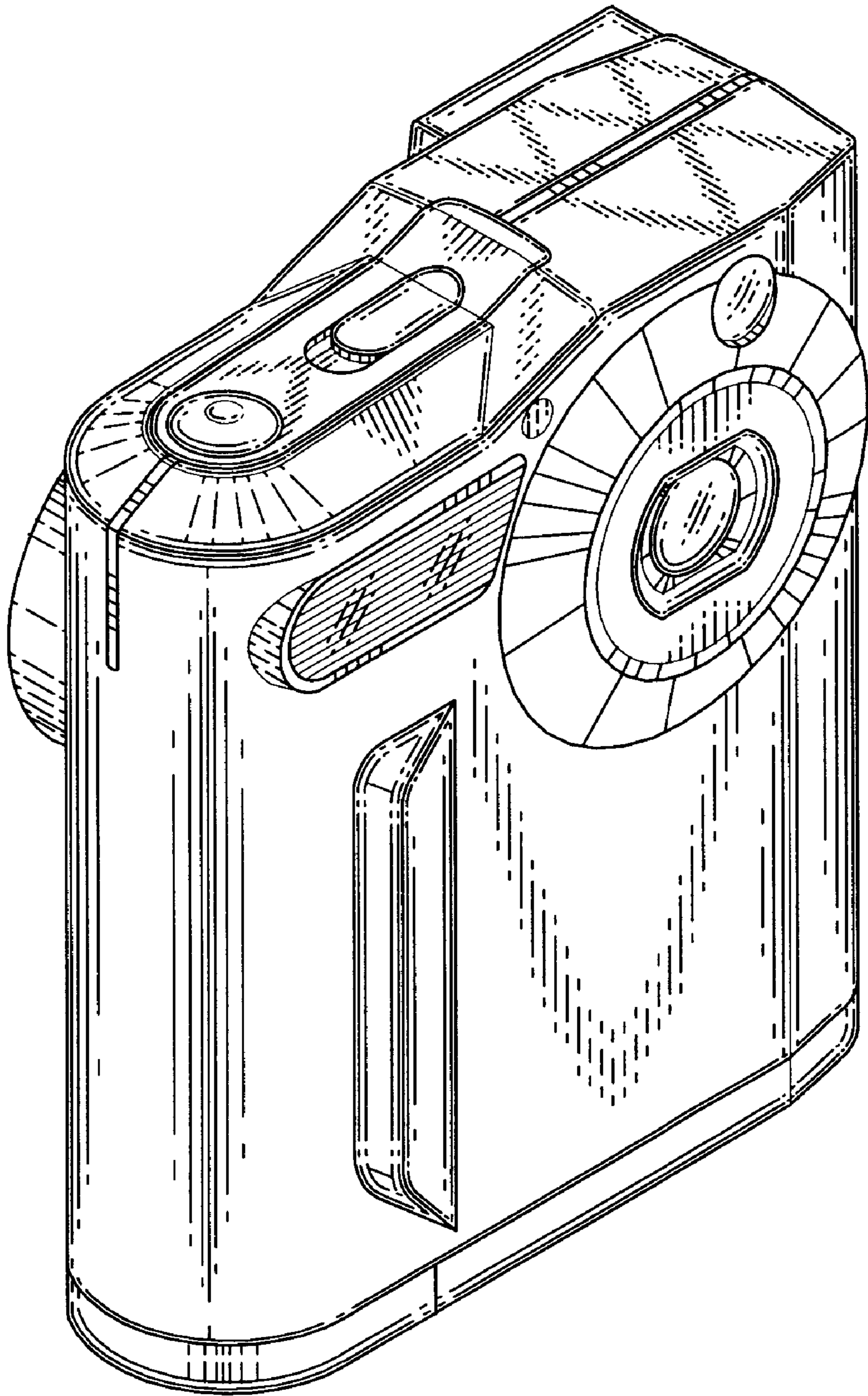


Fig. 2

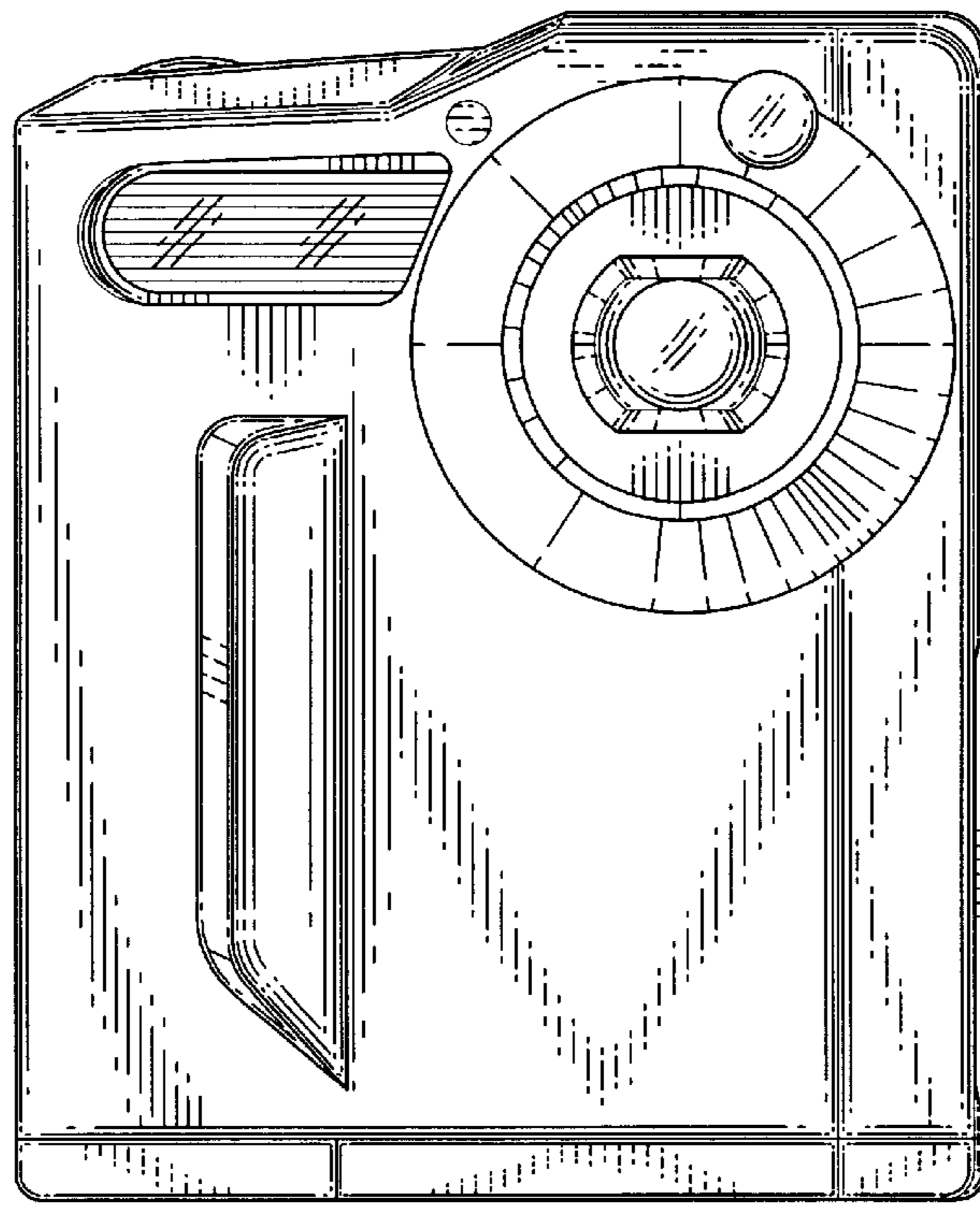
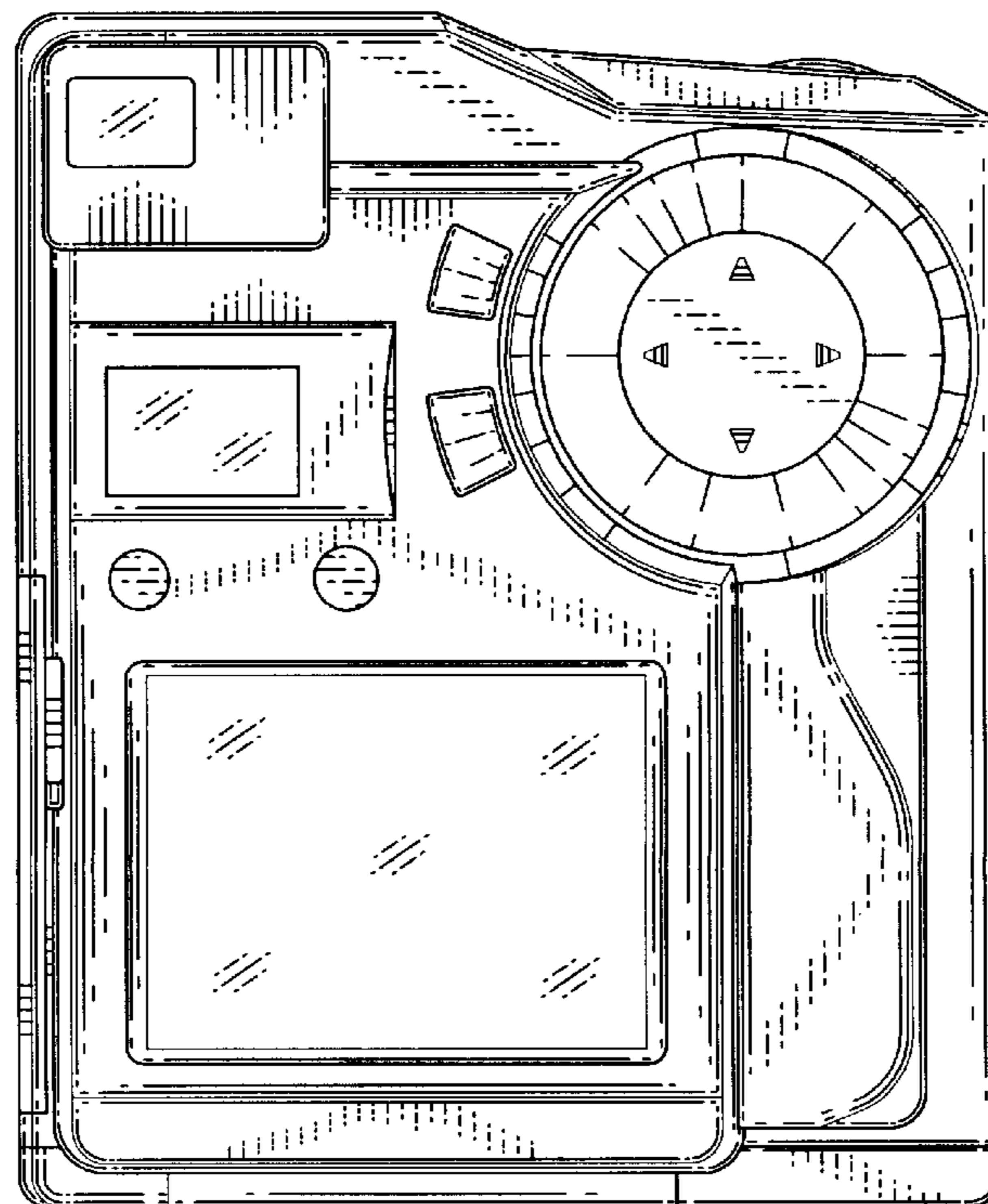
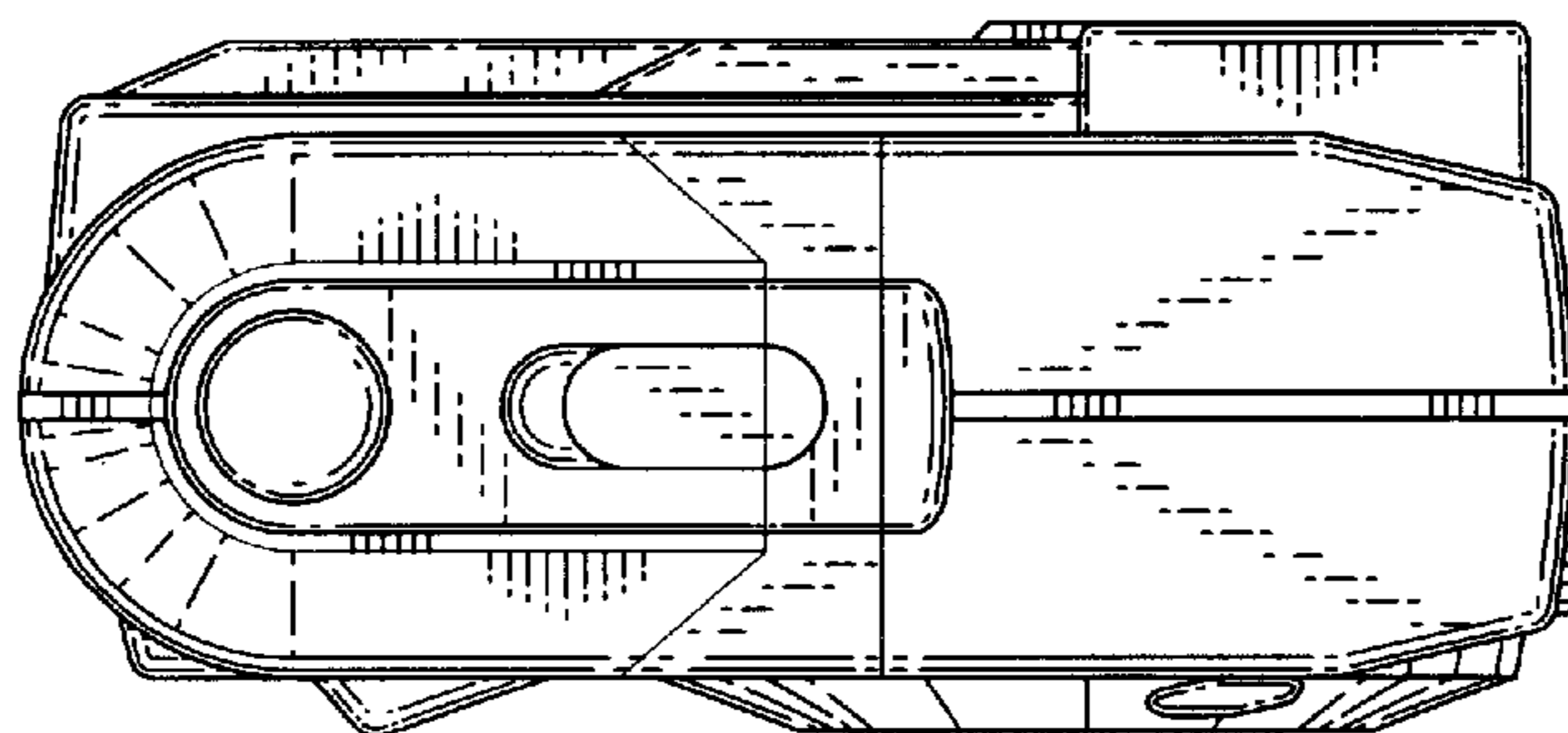


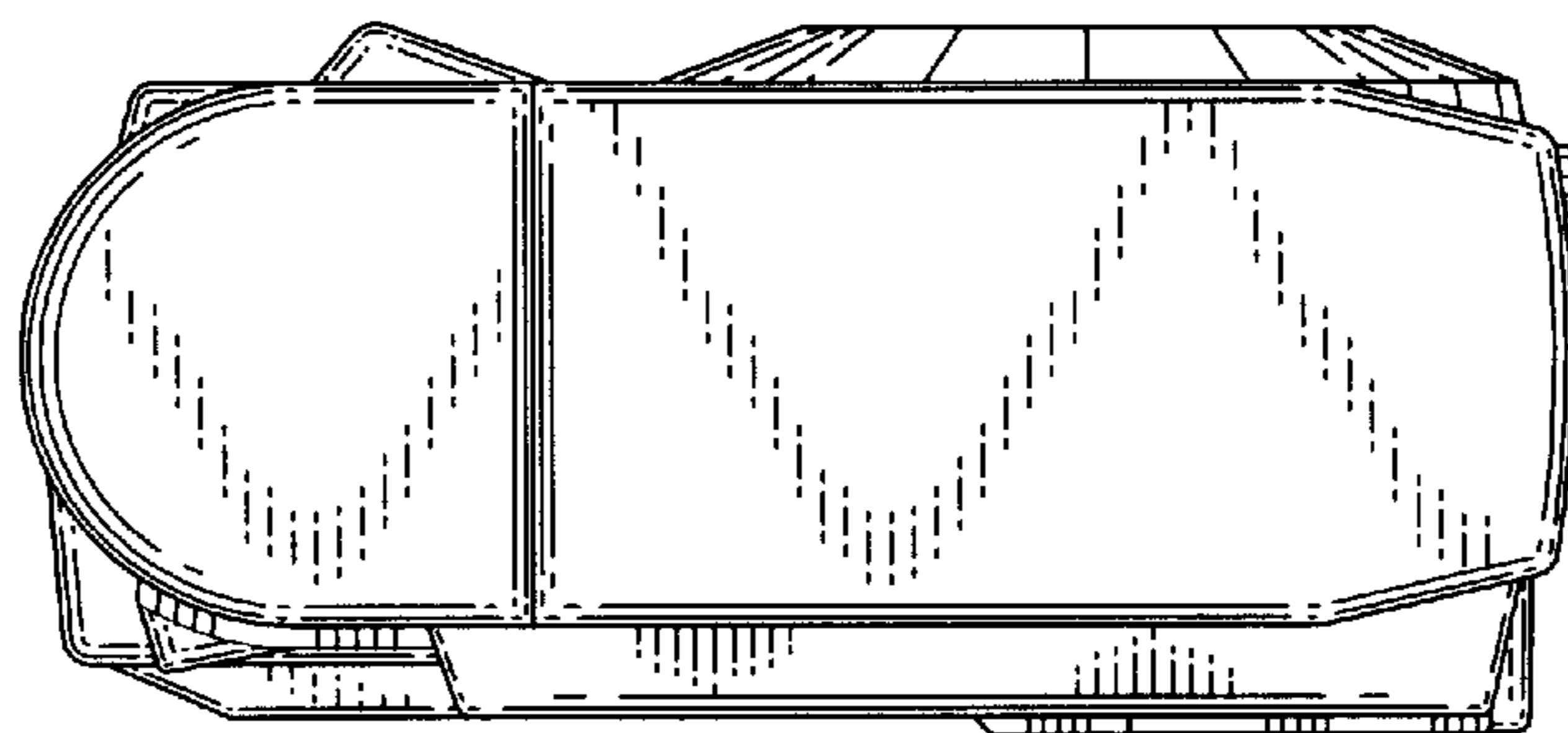
Fig. 3



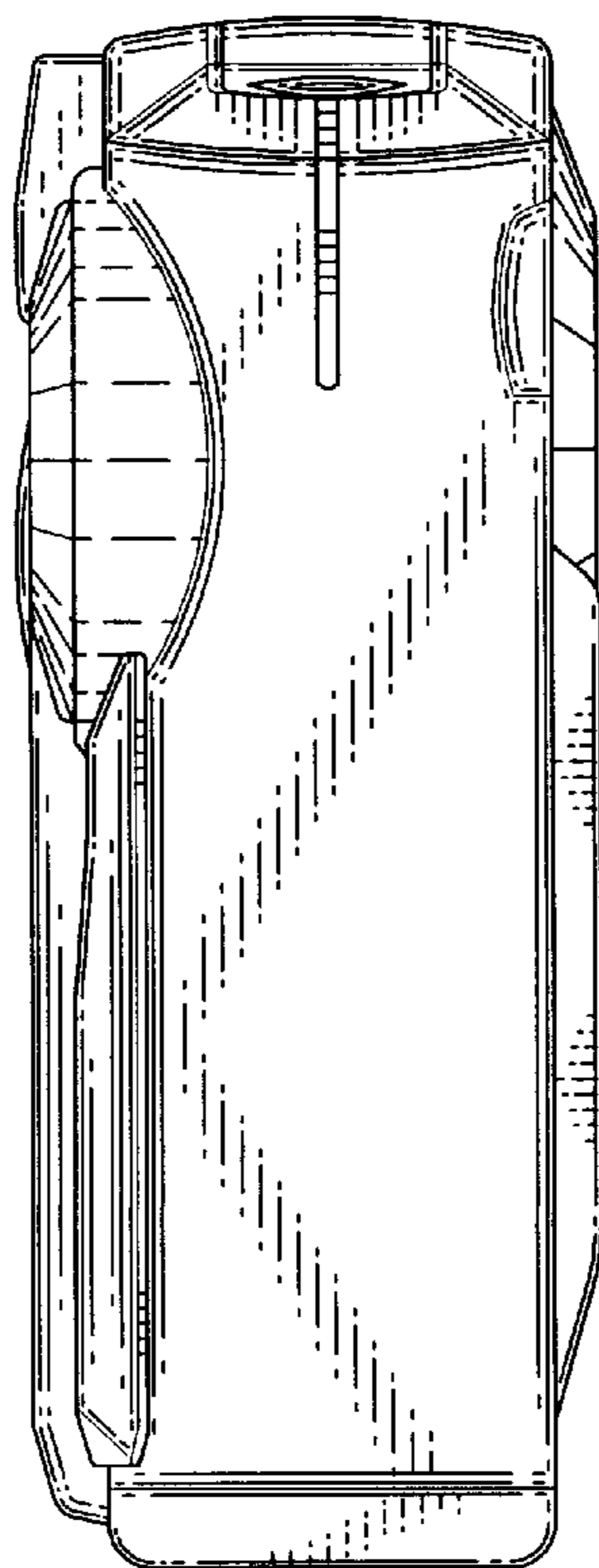
F i g . 4



F i g . 5



F i g . 7



F i g . 6

