



US00D422290S

United States Patent [19]

[11] Patent Number: **Des. 422,290**

Welsh et al.

[45] Date of Patent: **** Apr. 4, 2000**

[54] **TABLE SAW**

5,158,001 10/1992 Udelhofen et al. 83/477.1 X
5,174,349 12/1992 Svetlik et al. 83/477.2 X
5,619,896 4/1997 Eccardt et al. 83/477.2

[75] Inventors: **Robert P. Welsh**, Hunt Valley, Md.;
David E. Duncanson, W. Newbury,
Mass.; **Mark A. Nichols**, Boston,
Mass.; **Scott E. Stropkay**, Carlisle,
Mass.

Primary Examiner—Antoine Duval Davis
Attorney, Agent, or Firm—Adan Ayala

[73] Assignee: **Black & Decker Inc.**, Newark, Del.

[57] **CLAIM**

[**] Term: **14 Years**

The ornamental design for a table saw, as shown and described.

[21] Appl. No.: **29/103,366**

DESCRIPTION

[22] Filed: **Apr. 13, 1999**

FIG. 1 is a front elevational view of a first embodiment of the present invention;
FIG. 2 is a rear elevational view thereof;
FIG. 3 is a left side elevational view thereof;
FIG. 4 is a right side elevational view thereof;
FIG. 5 is a top plan view thereof;
FIG. 6 is a front perspective view thereof;
FIG. 7 is a front elevational view of a second embodiment of the present invention;
FIG. 8 is a rear elevational view thereof;
FIG. 9 is a left side elevational view thereof;
FIG. 10 is a right side elevational view thereof;
FIG. 11 is a top plan view thereof; and,
FIG. 12 is a front perspective view thereof.

[51] **LOC (6) Cl.** **15-09**

[52] **U.S. Cl.** **D15/133**

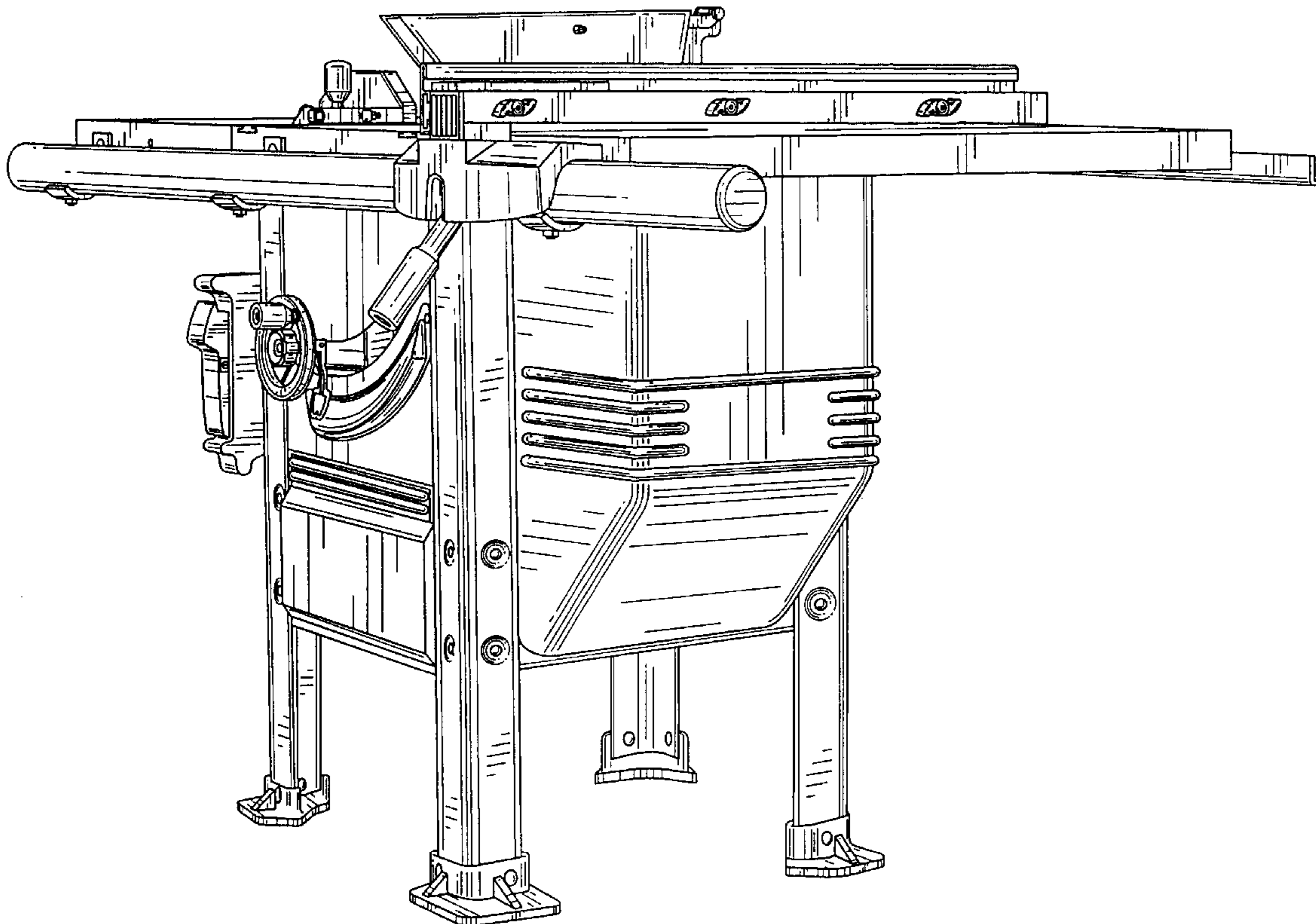
[58] **Field of Search** D15/133; 83/432,
83/435, 468.7, 468.3, 477, 477.2, 478;
144/287

[56] **References Cited**

U.S. PATENT DOCUMENTS

D. 326,666	6/1992	Miyamoto et al.	D15/133
D. 377,654	1/1997	Jedlicka et al.	D15/133
D. 394,071	5/1998	Cerroll et al.	D15/133
D. 411,090	6/1999	Chang	D15/133 X
5,123,317	6/1992	Barnes, Jr. et al.	83/477.1 X

1 Claim, 12 Drawing Sheets



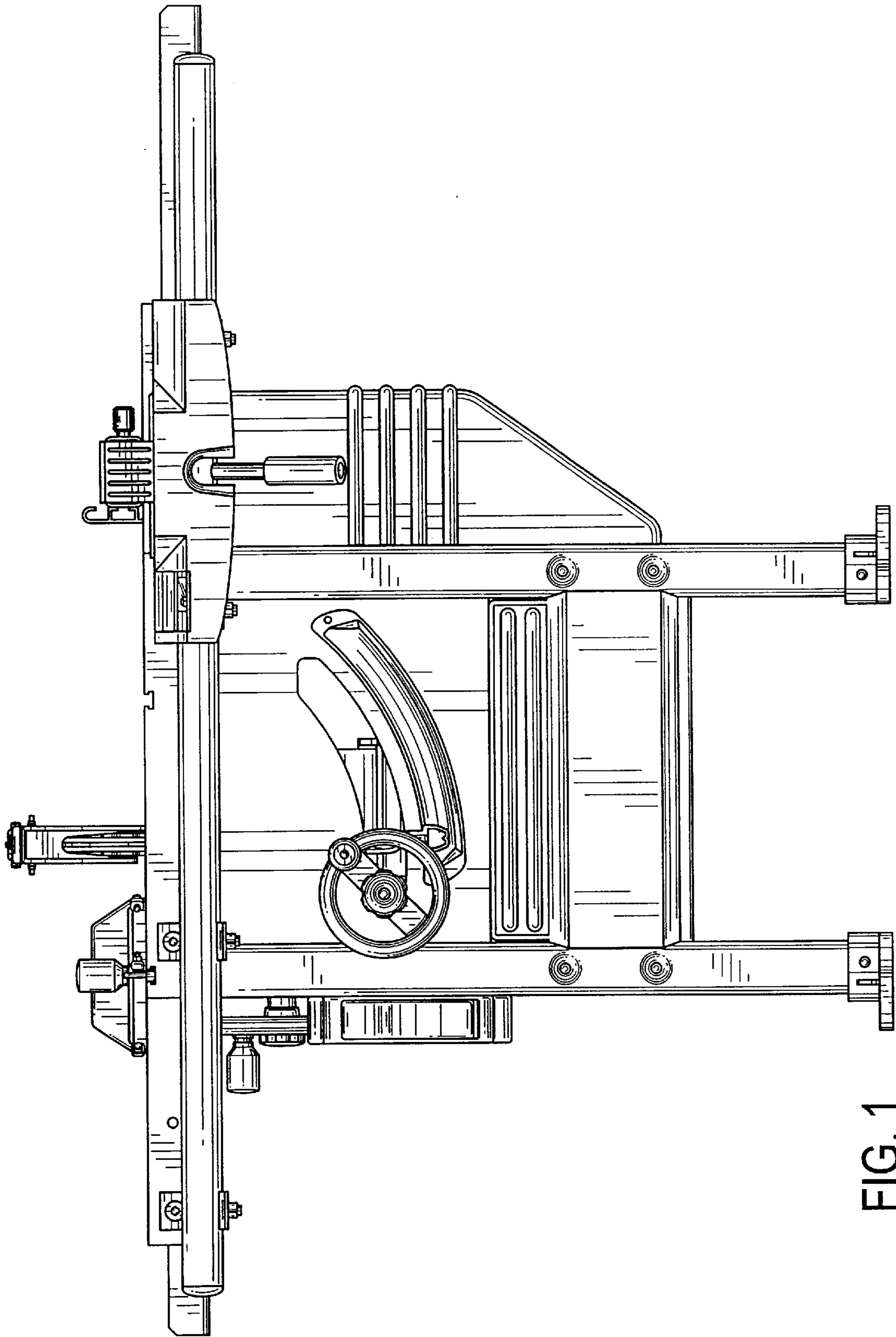


FIG. 1

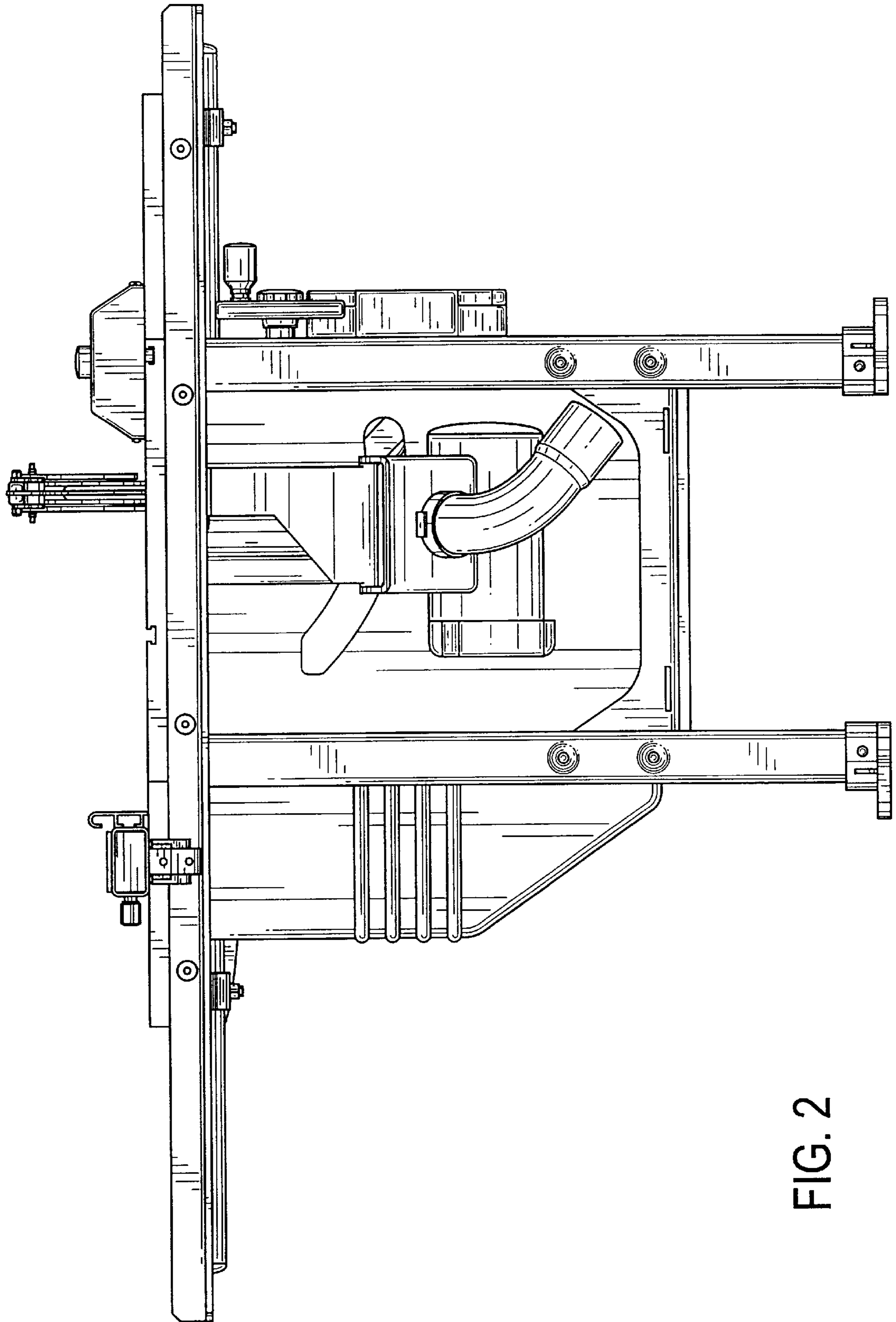


FIG. 2

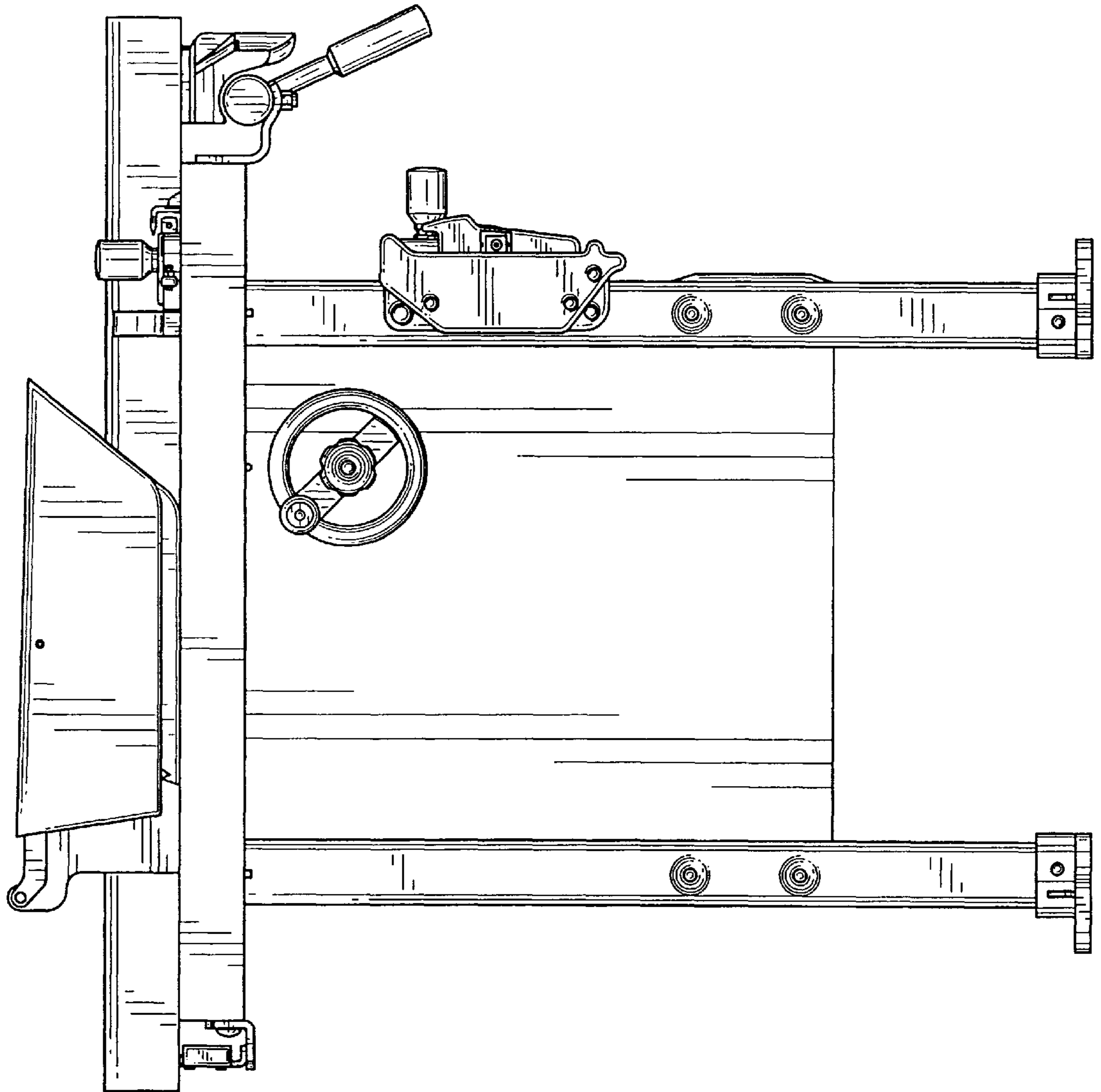


FIG. 3

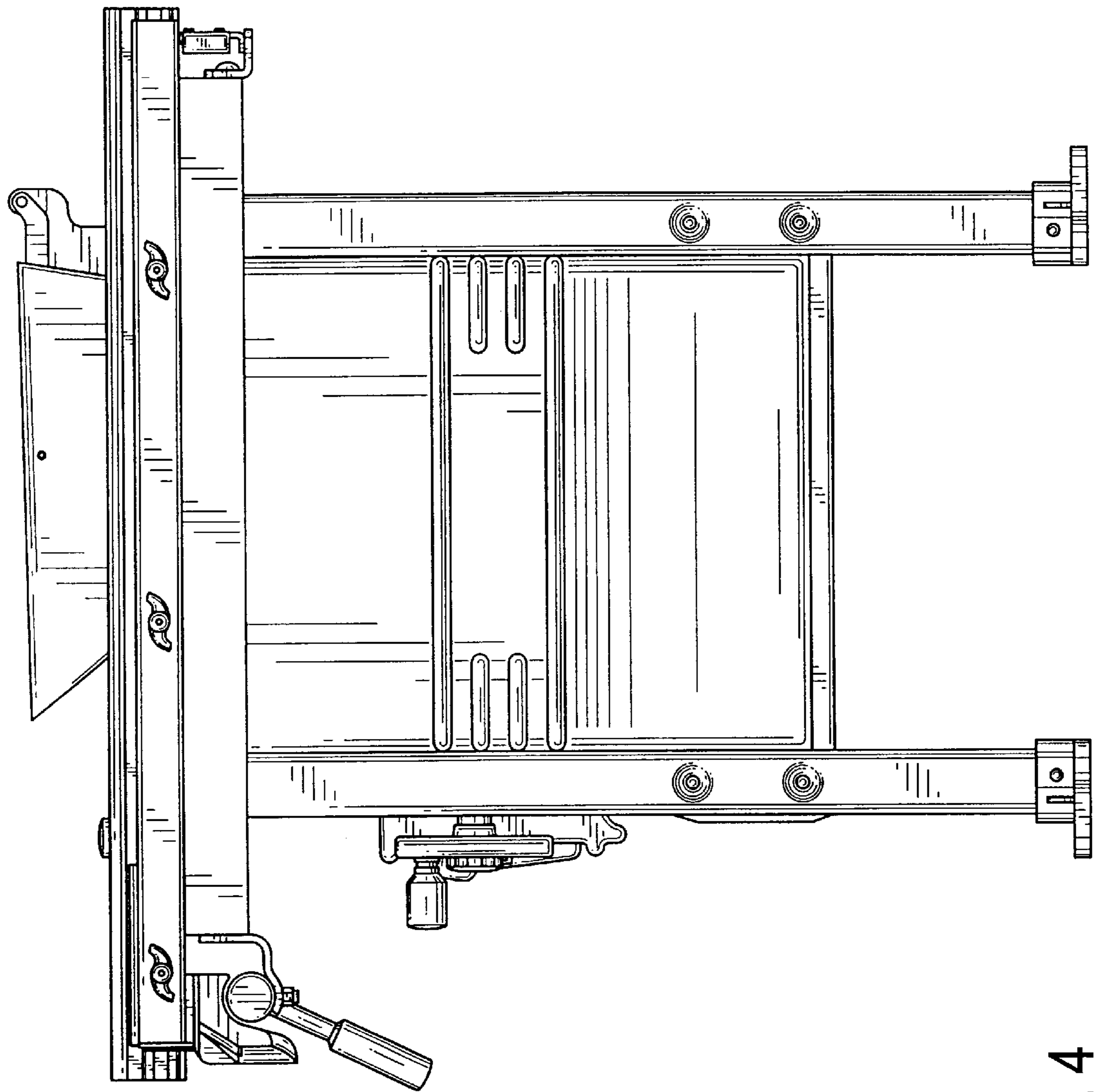


FIG. 4

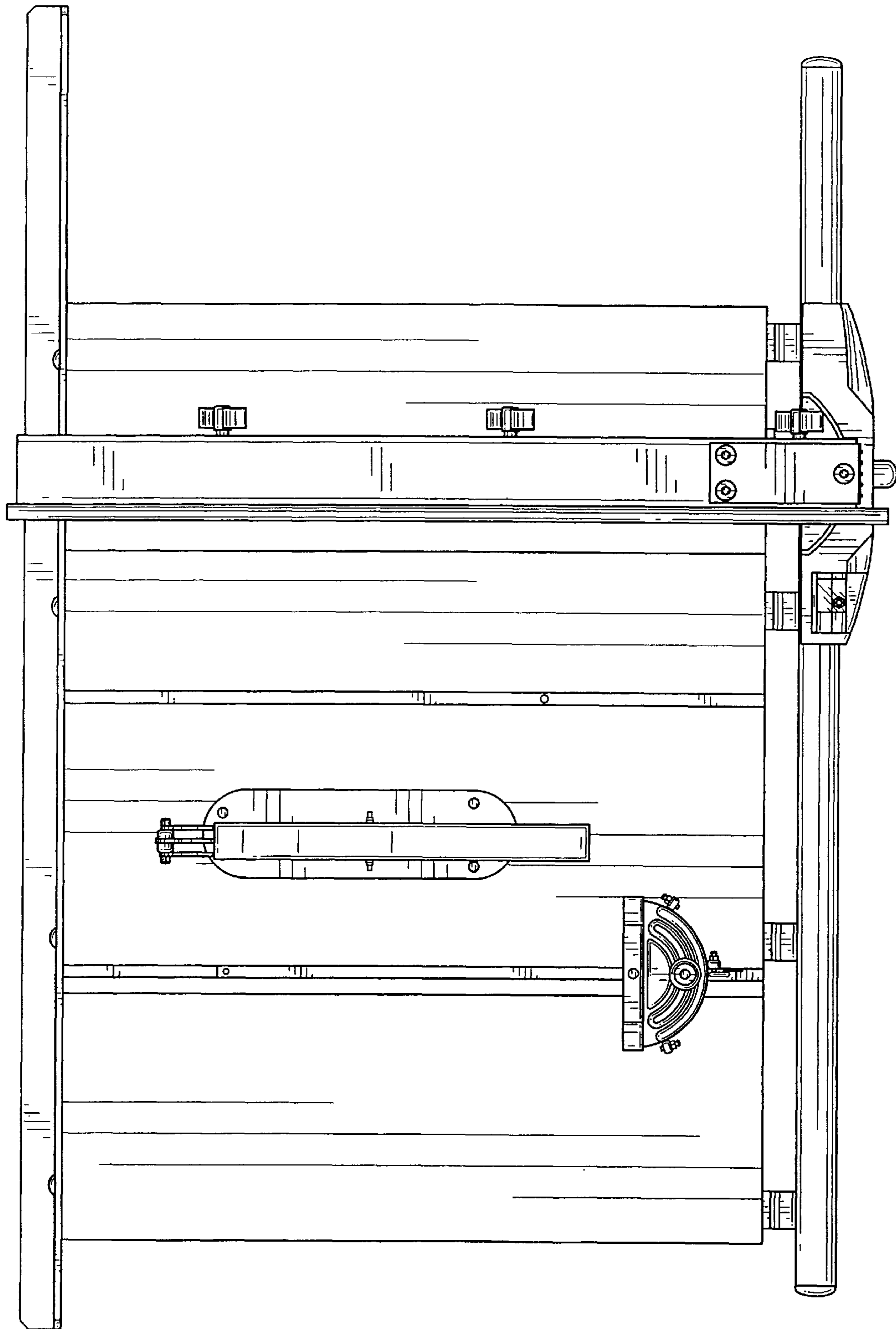


FIG. 5

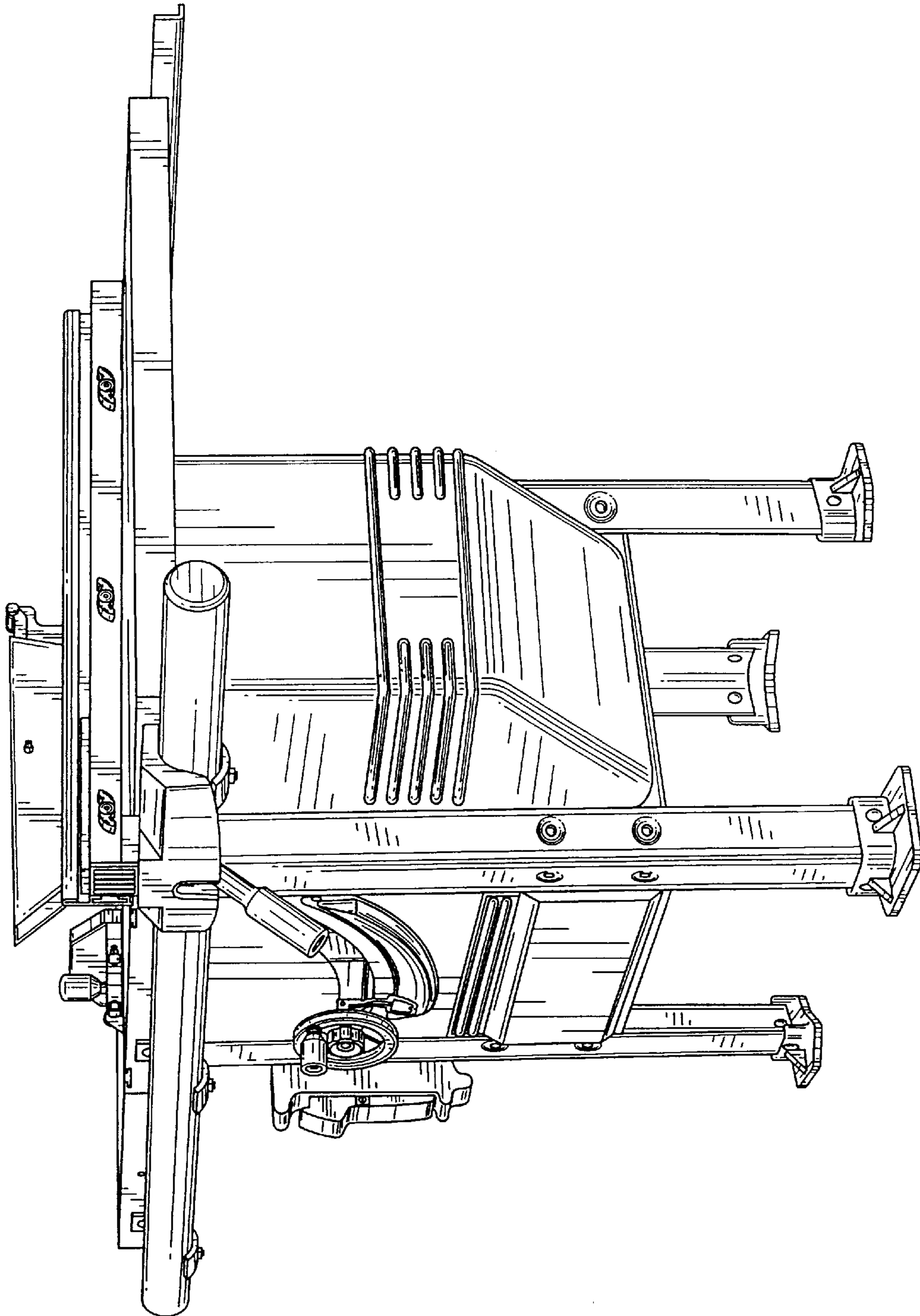


FIG. 6

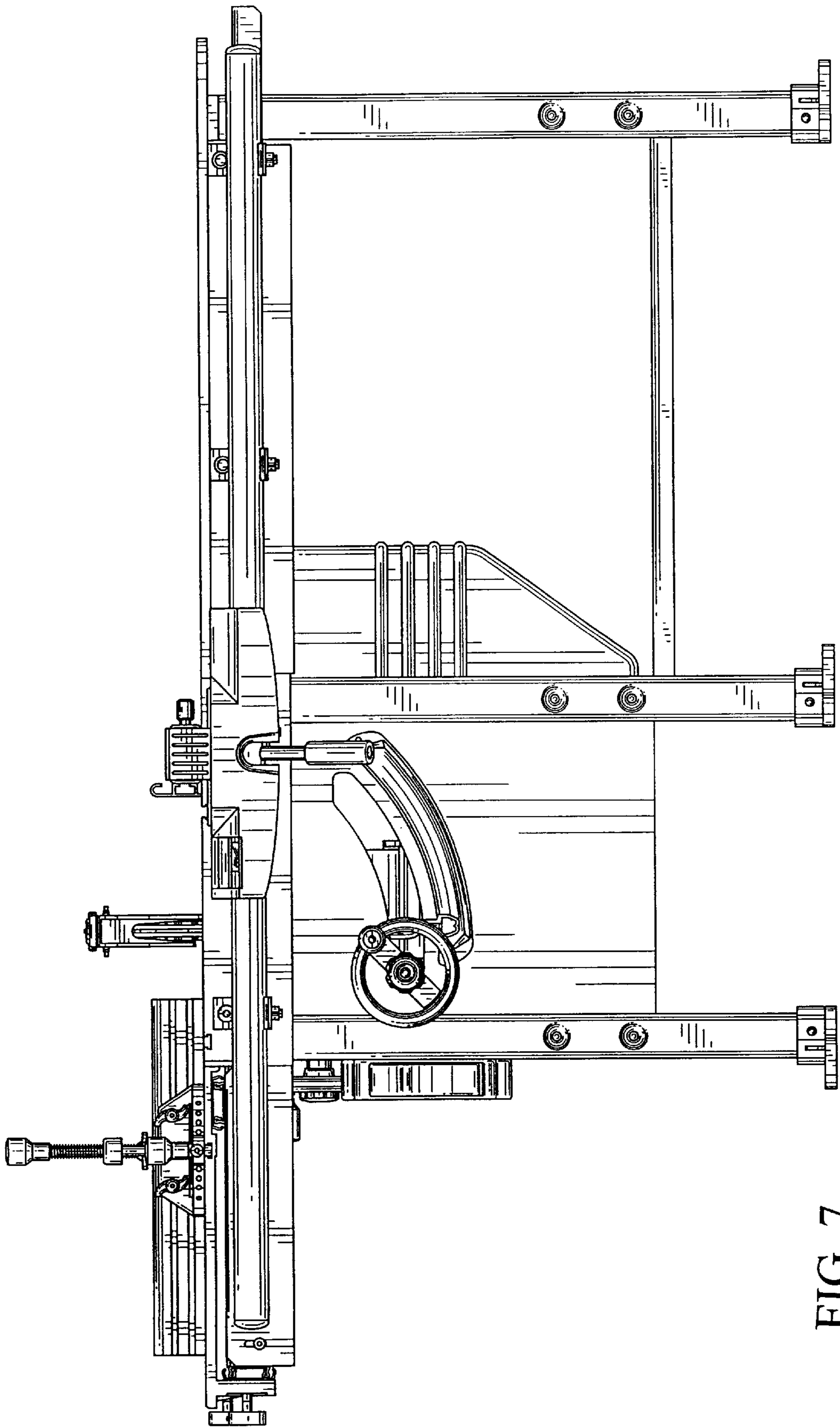


FIG. 7

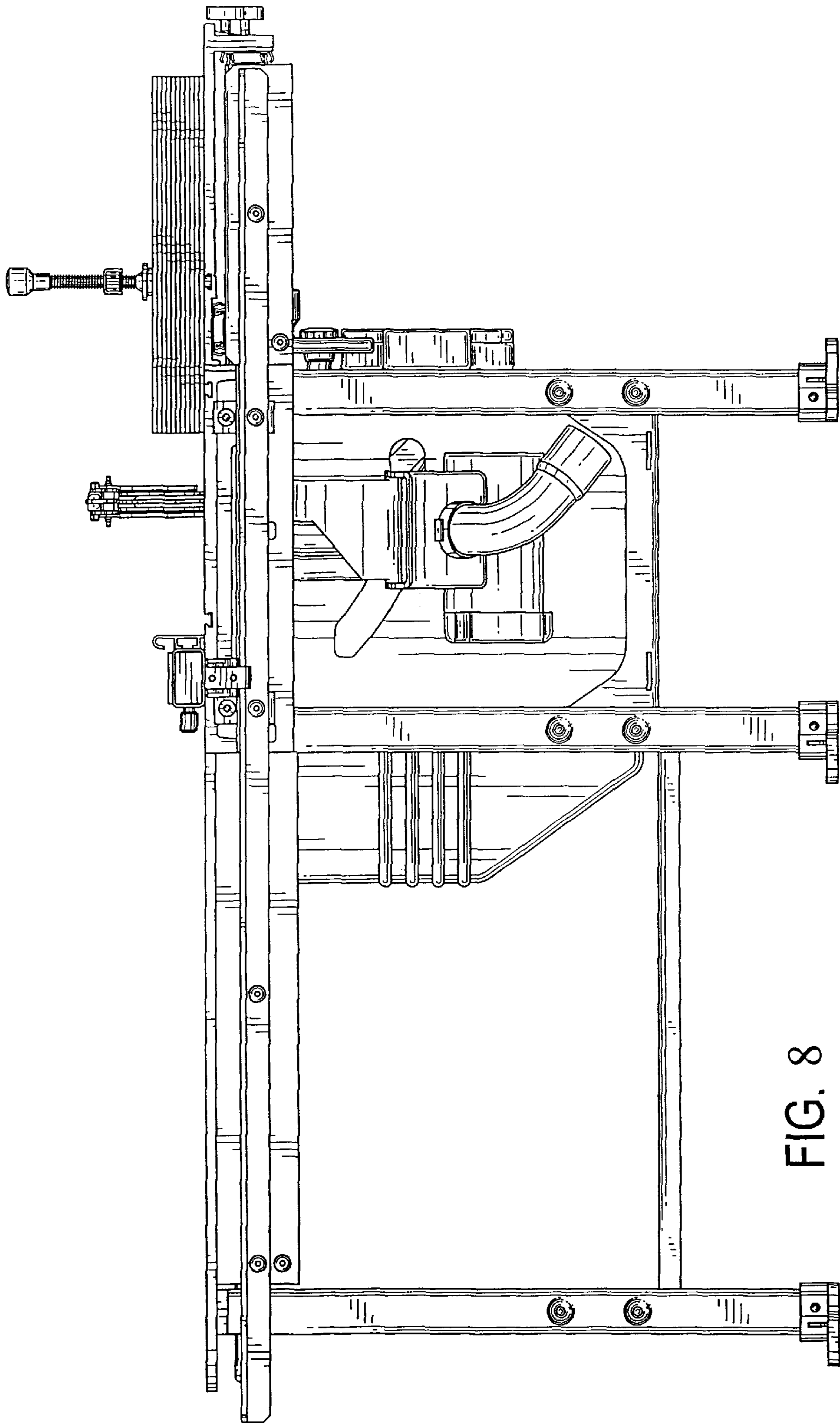


FIG. 8

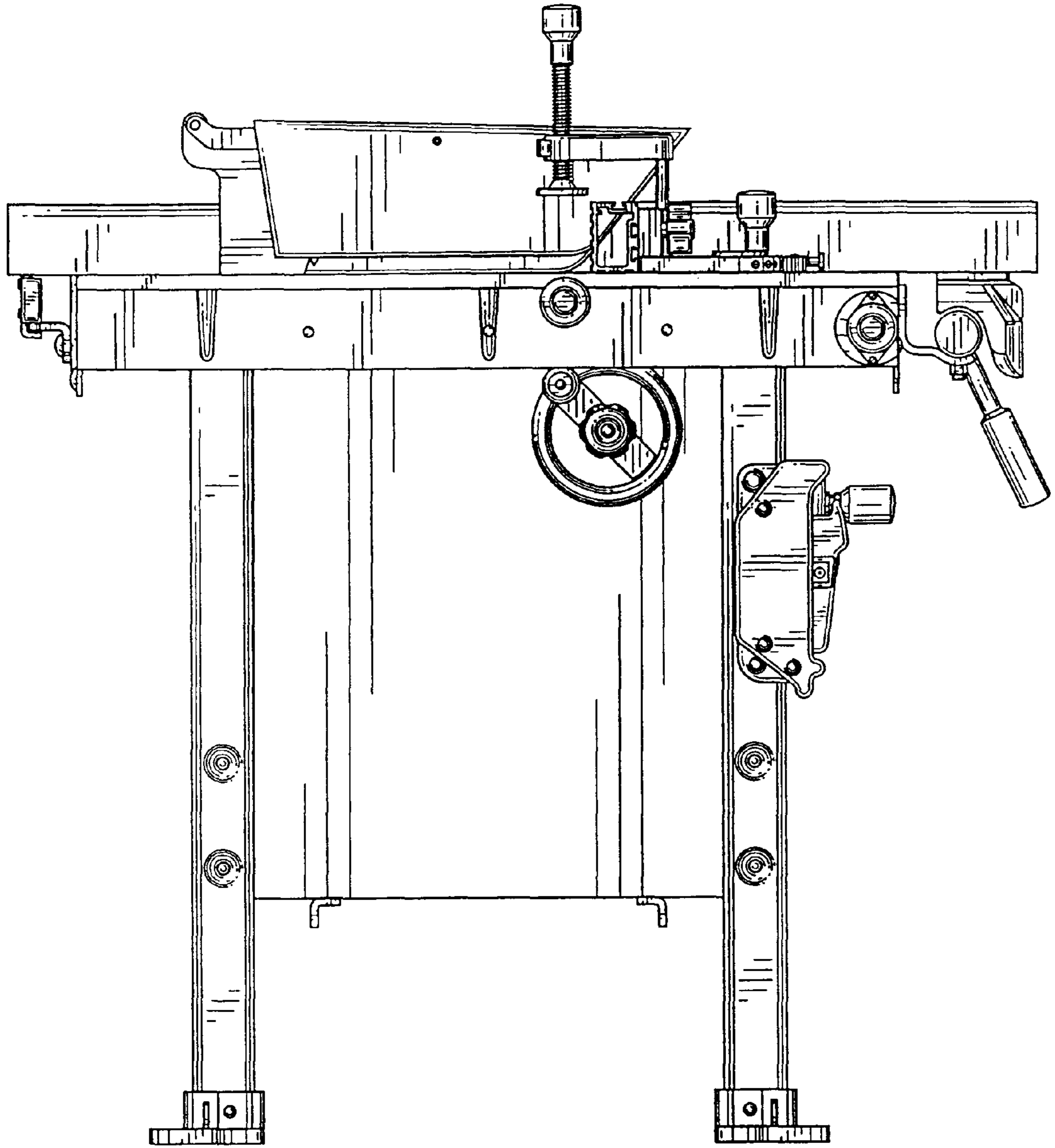


FIG. 9

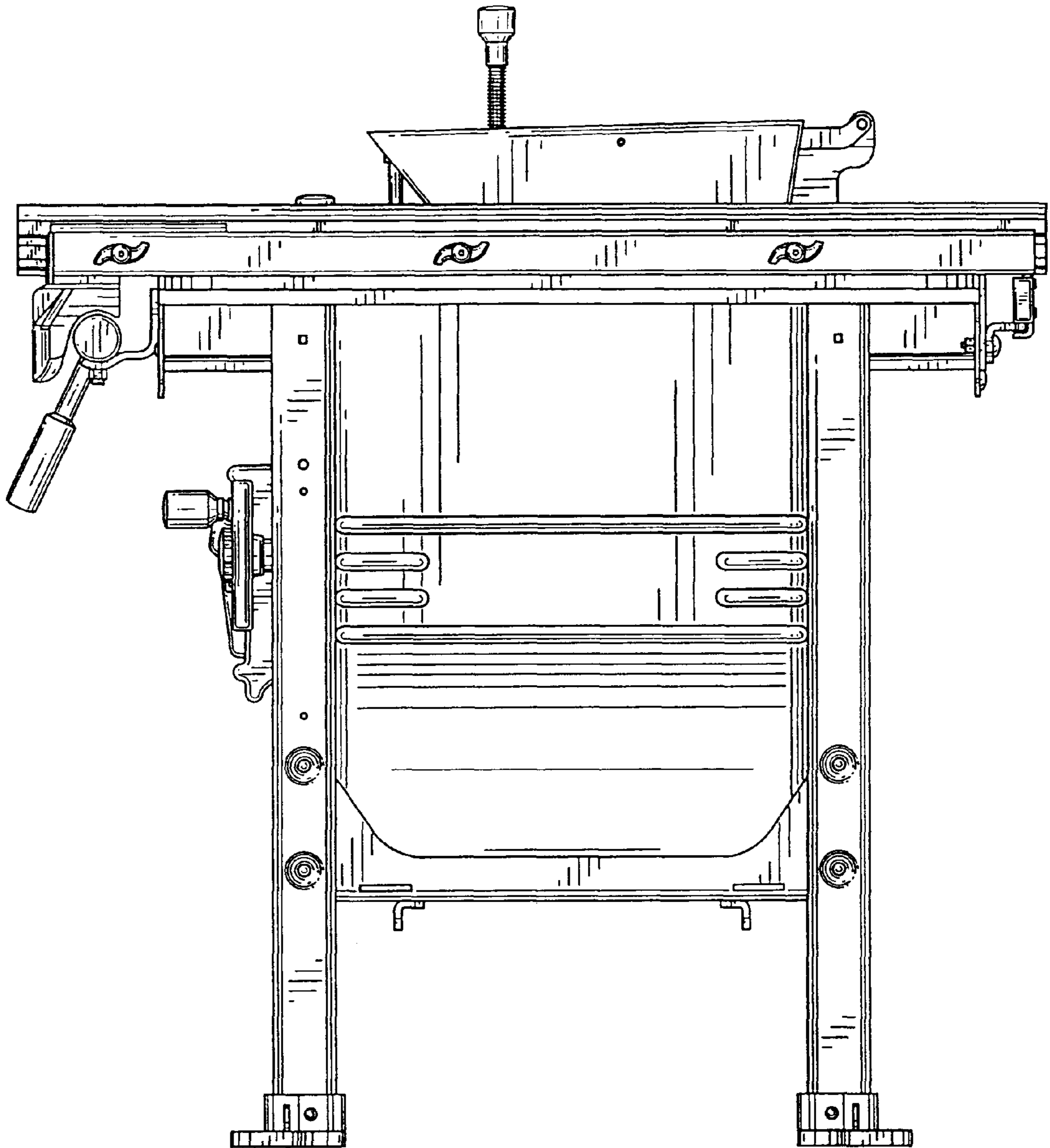


FIG. 10

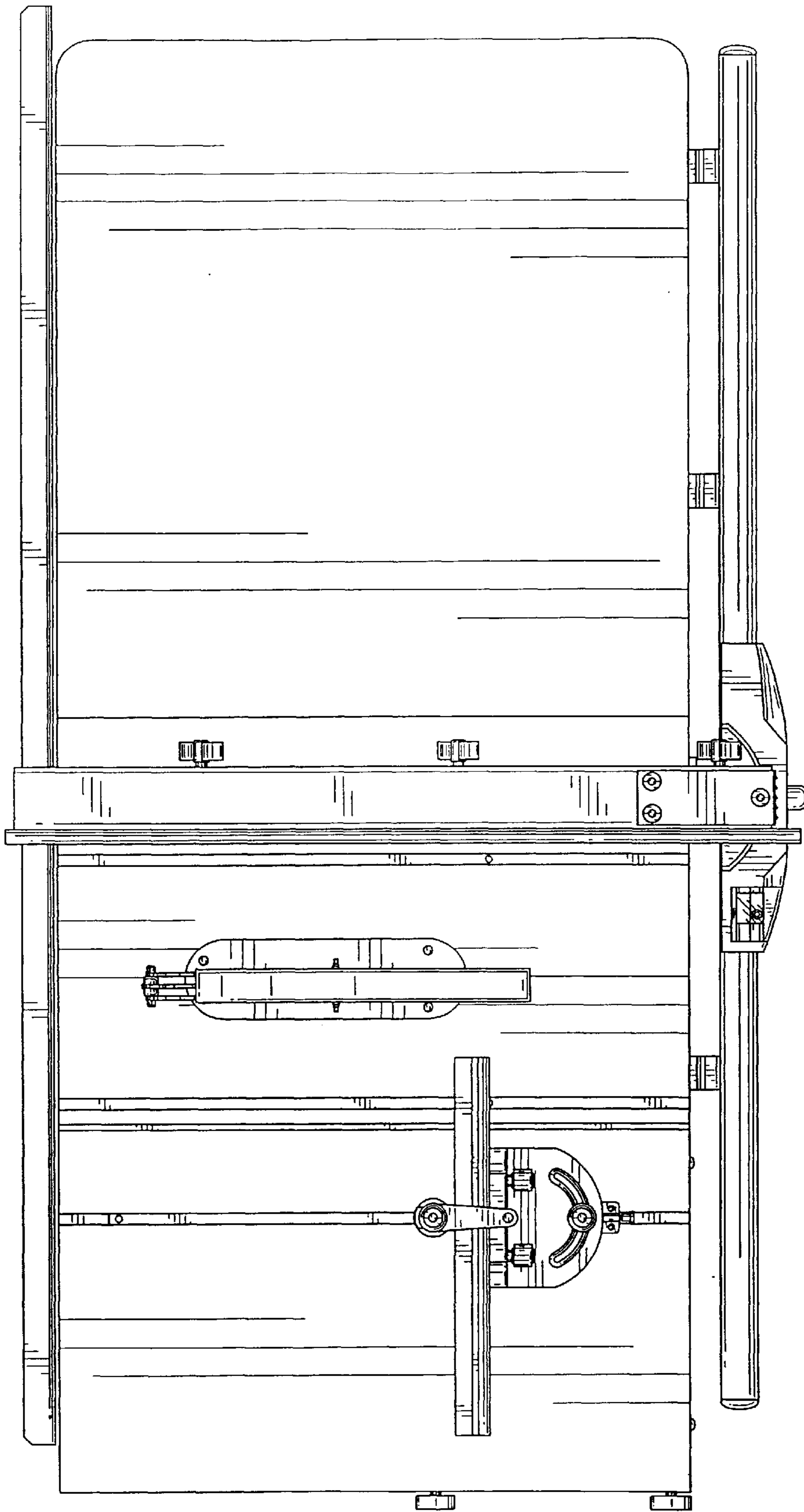


FIG. 11

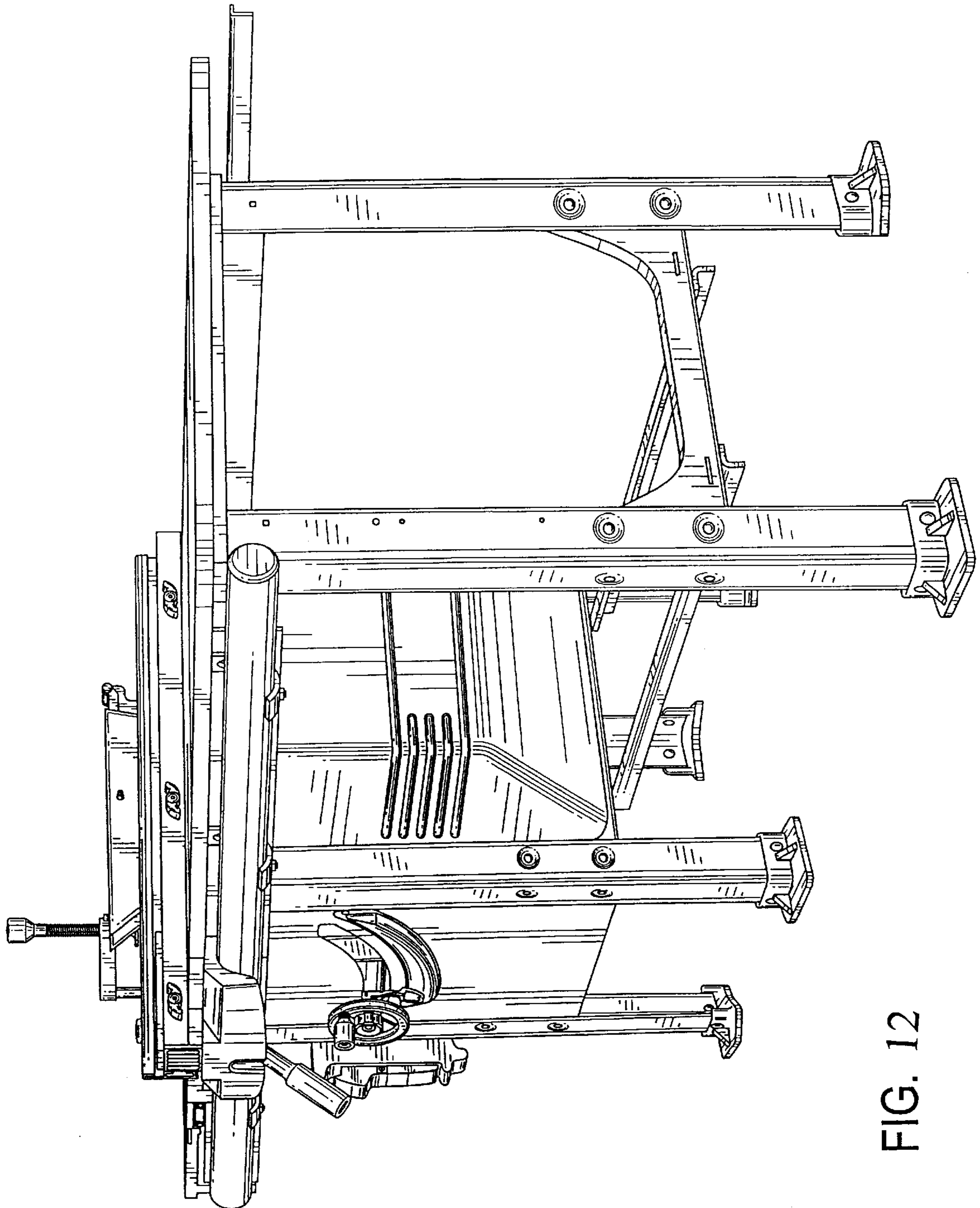


FIG. 12