



US00D422287S

# United States Patent [19]

Gibson et al.

[11] Patent Number: **Des. 422,287**

[45] Date of Patent: **\*\* Apr. 4, 2000**

[54] **COOLER**

[75] Inventors: **Robert Gibson; Ian W. Cunningham,**  
both of Charlotte, N.C.

[73] Assignee: **The Coca-Cola Company,** Atlanta, Ga.

[\*\*] Term: **14 Years**

[21] Appl. No.: **29/099,657**

[22] Filed: **Jan. 26, 1999**

[51] **LOC (6) Cl.** ..... **15-07**

[52] **U.S. Cl.** ..... **D15/83; D15/81; D34/39**

[58] **Field of Search** ..... D15/81, 83, 85-88,  
D15/91, 89; D9/549, 557; D19/85; D34/39;  
220/23.83, 592.02, 592.03, 592.04, 592.16,  
592.19; 312/138.1, 139.2, 236; 62/246,  
248, 249, 252, 449

[56] **References Cited**

**U.S. PATENT DOCUMENTS**

- D. 293,954 1/1988 Moore ..... D34/39
- D. 313,026 12/1990 Evans ..... D15/81

- D. 357,886 5/1995 Fuller ..... D19/85
- D. 408,113 4/1999 Hunter et al. .... D34/39
- 1,564,880 12/1925 Mauser .
- 2,171,934 9/1939 Kline .
- 5,626,240 5/1997 Friedrichs et al. .... 220/23.83

*Primary Examiner*—B. J. Bullock  
*Attorney, Agent, or Firm*—Thomas C. McThenia, Jr.

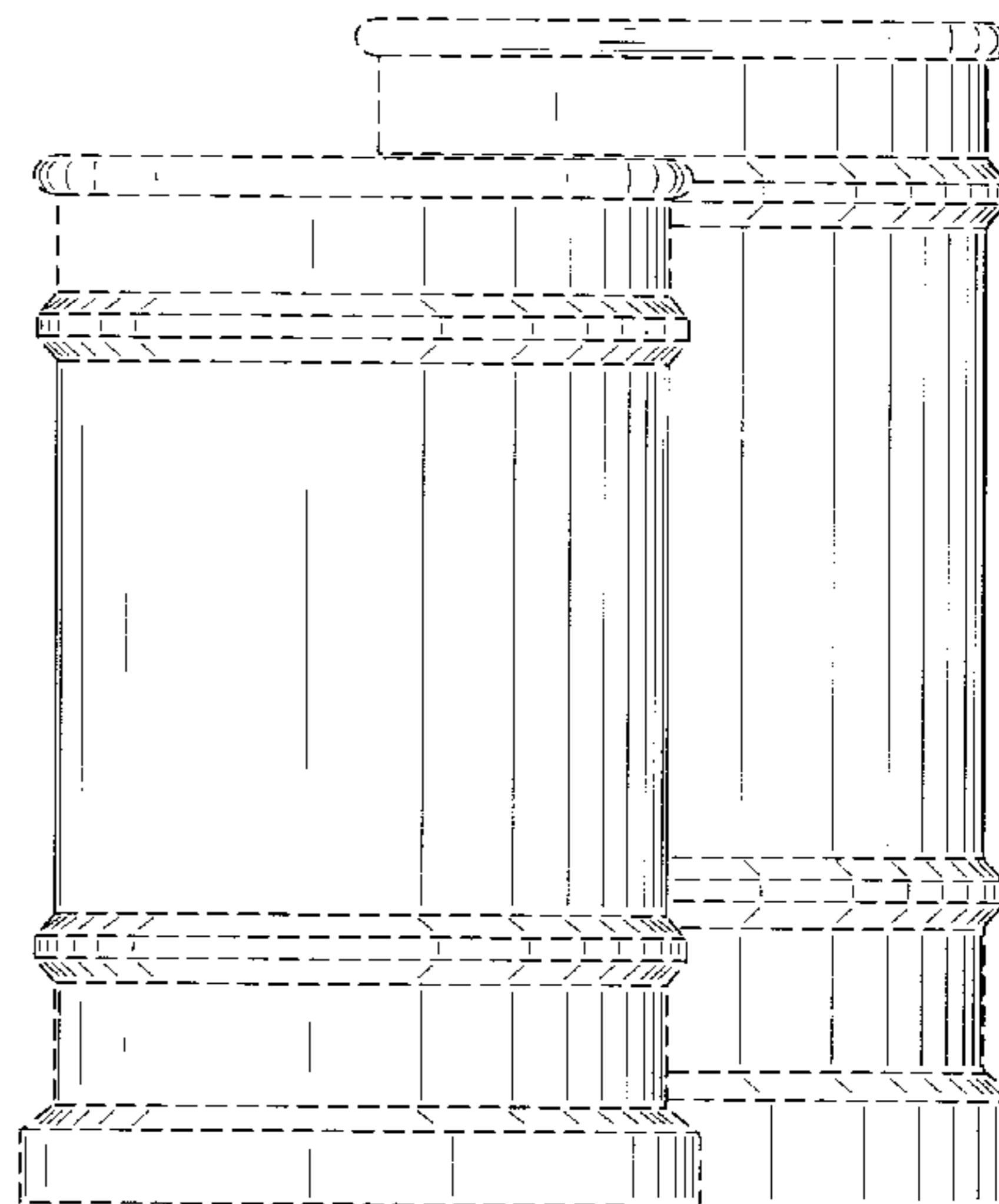
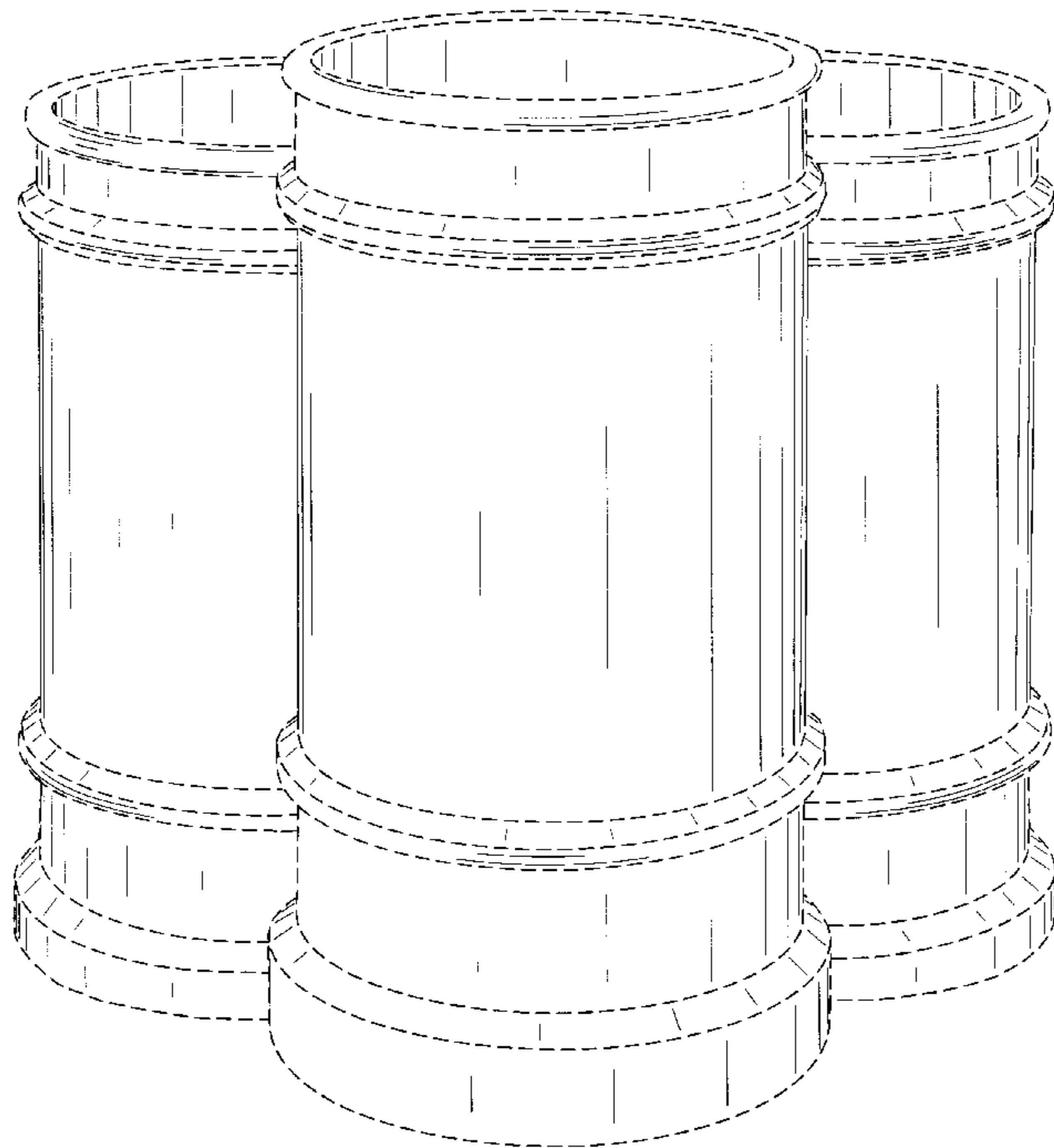
[57] **CLAIM**

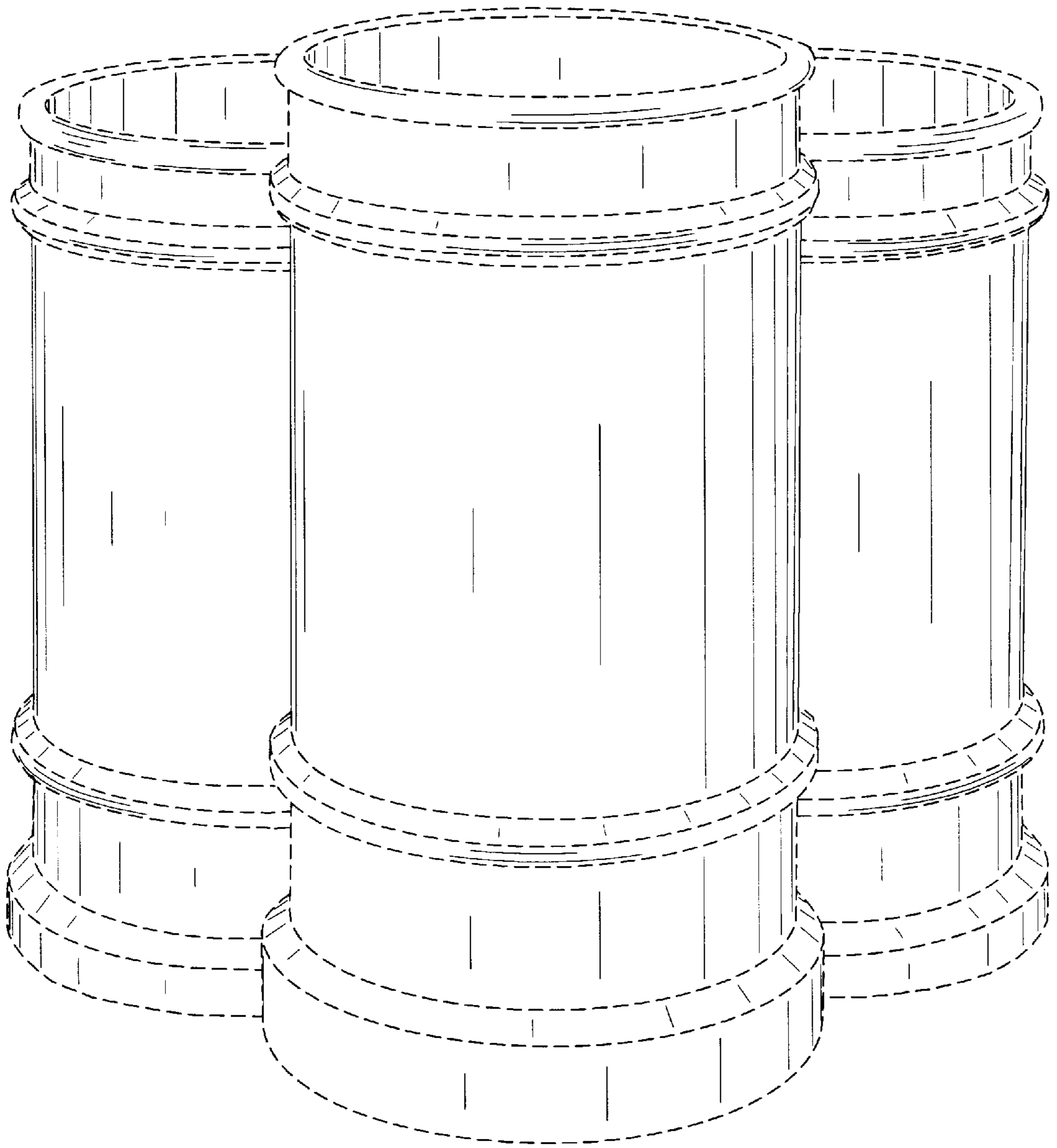
We claim the ornamental design for a cooler, as shown and described.

**DESCRIPTION**

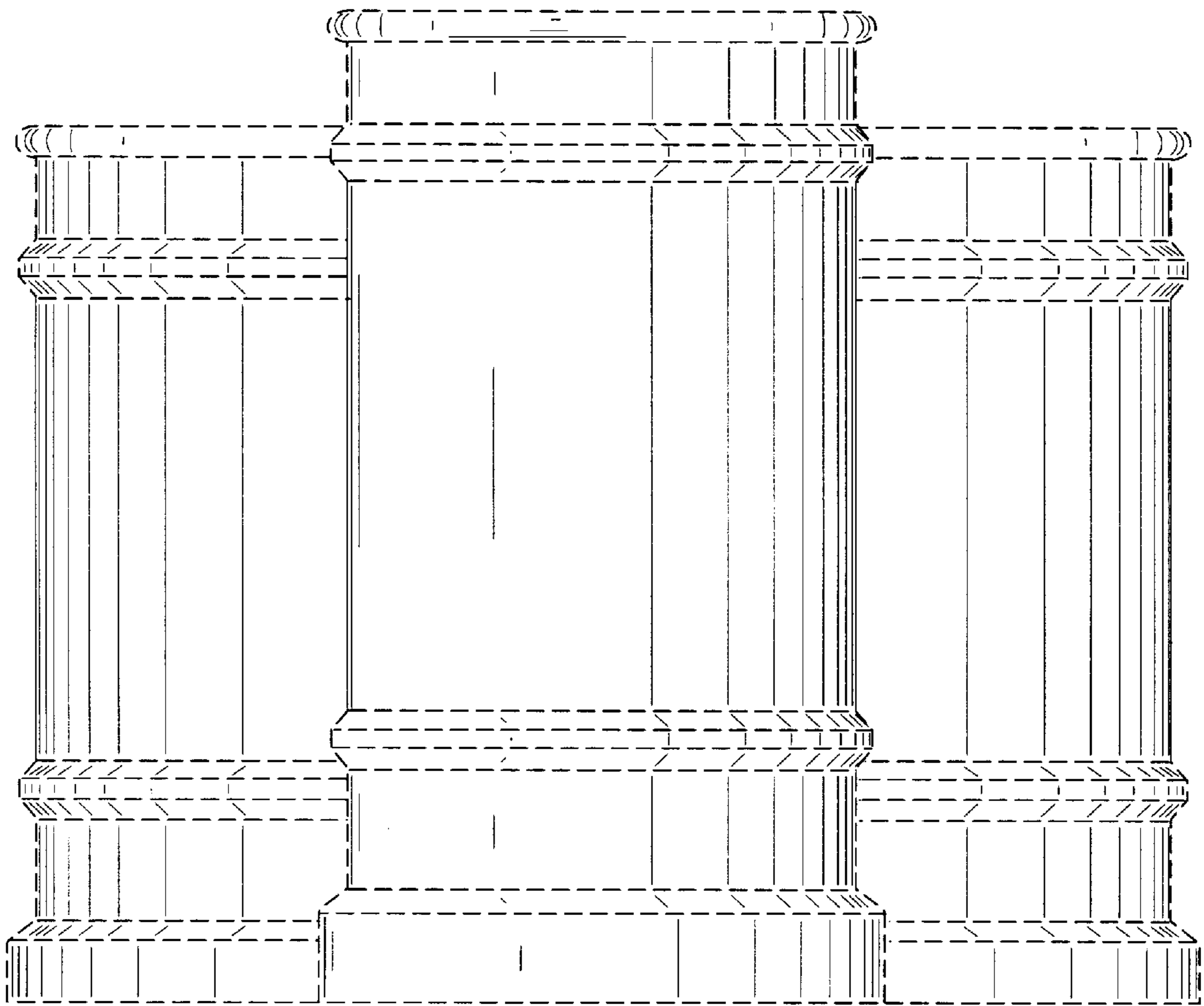
FIG. 1 is a top front slightly left side perspective view of a cooler showing our new design;  
FIG. 2 is a front elevational view thereof;  
FIG. 3 is a left side view thereof (the right side is a mirror image of FIG. 3);  
FIG. 4 is a top plan view thereof; and,  
FIG. 5 is a rear elevational view thereof.  
The broken lines represent the bounds of the claimed design but form no part thereof.

**1 Claim, 4 Drawing Sheets**



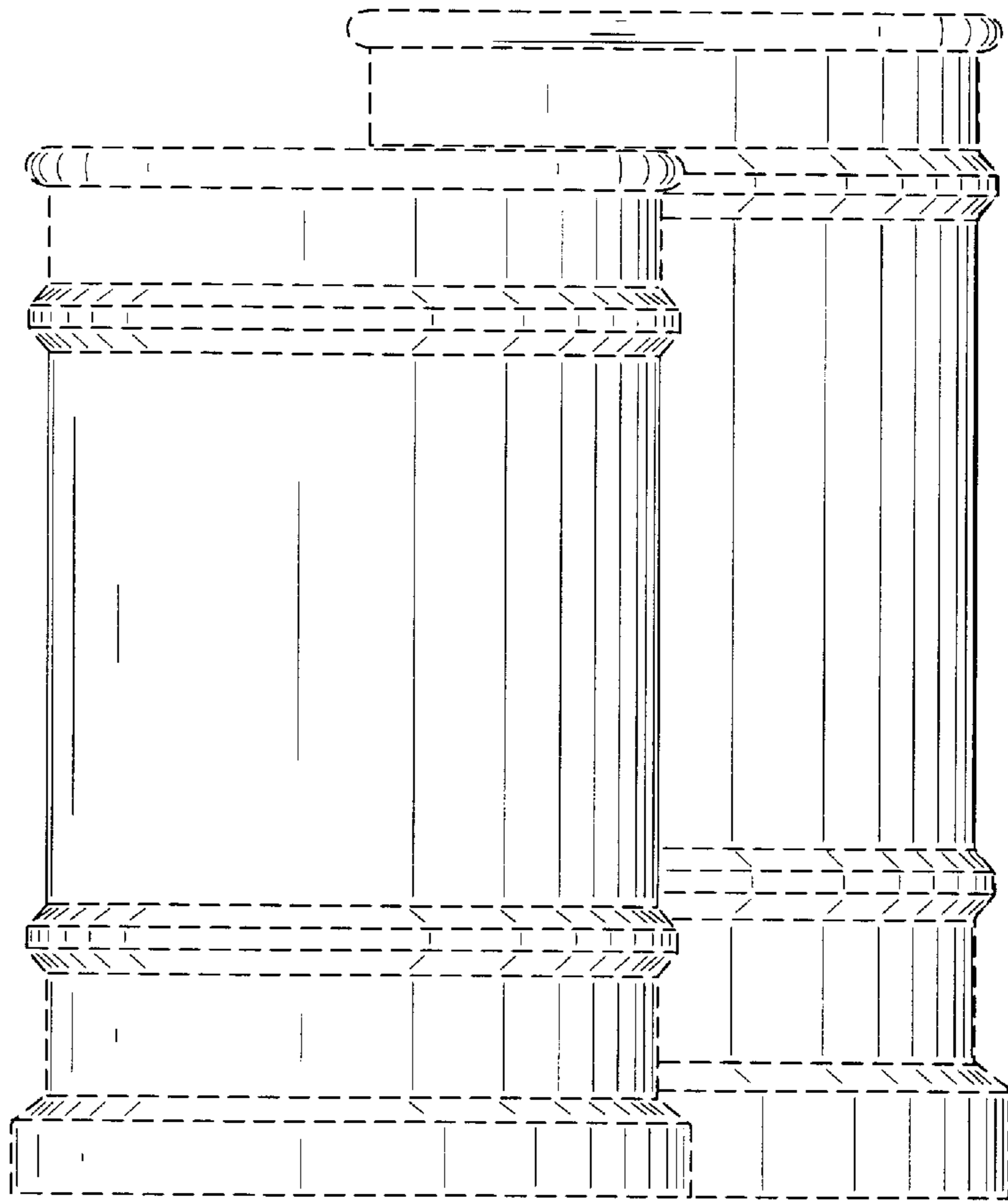


**FIG. 1**

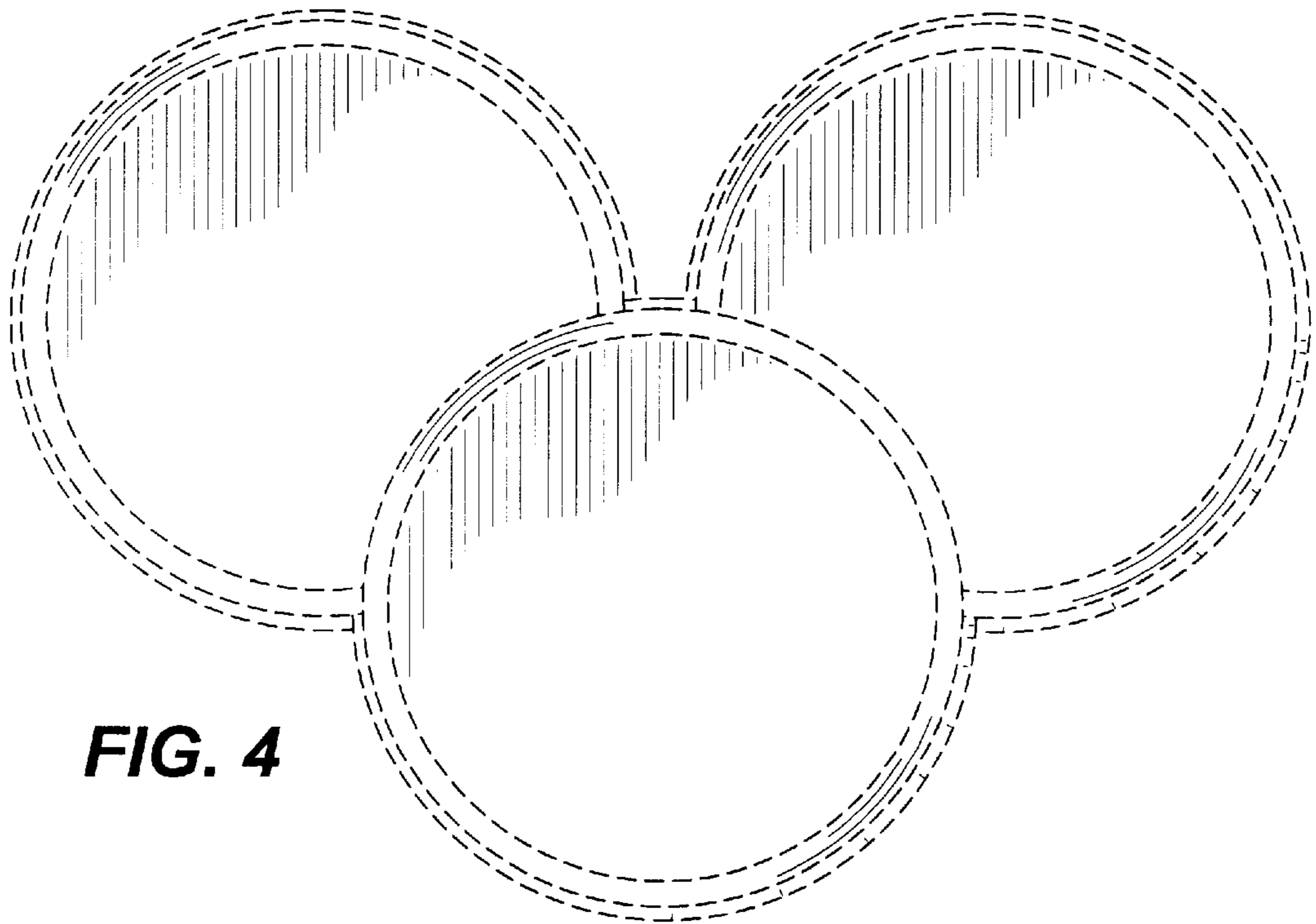


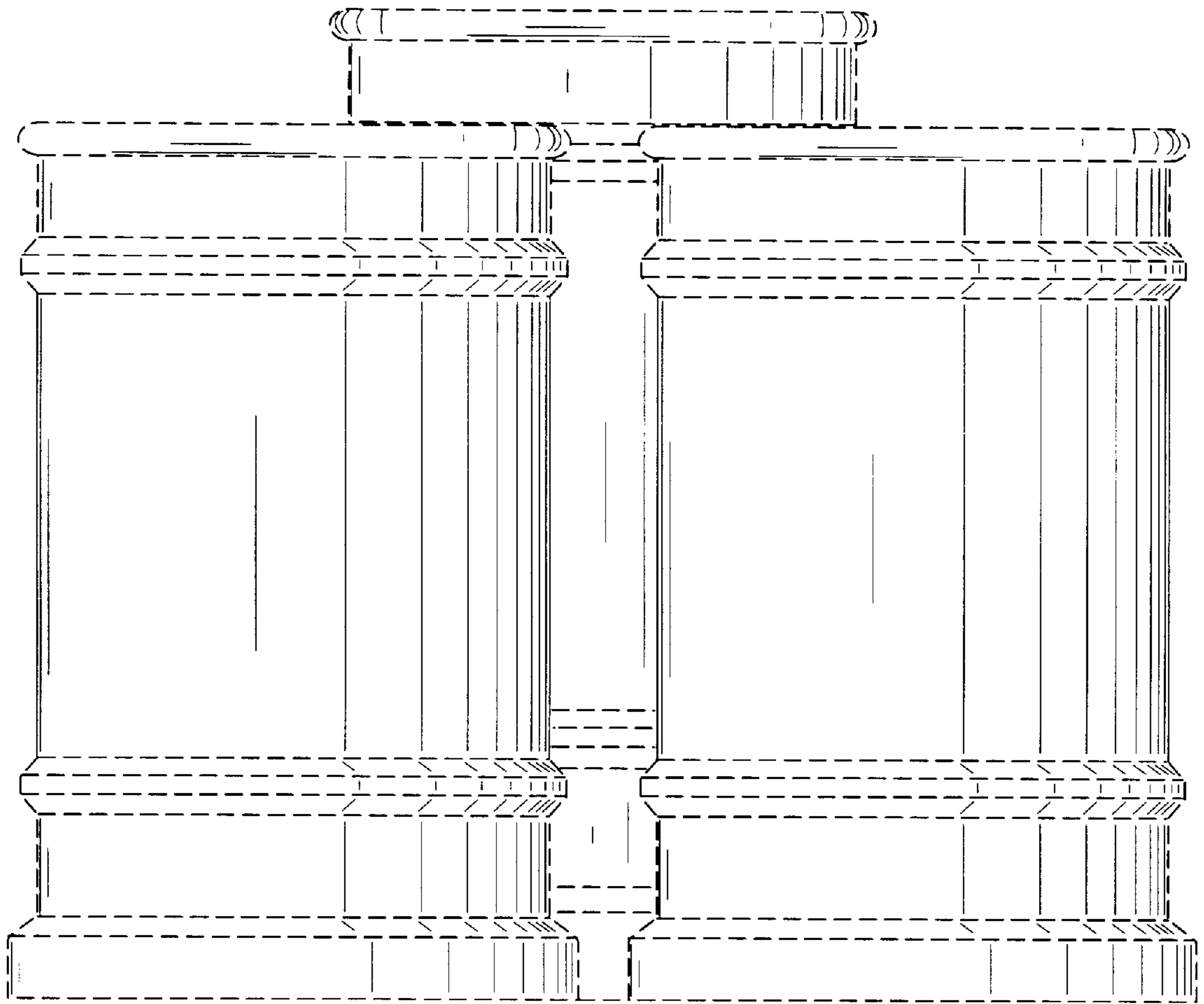
**FIG. 2**

**FIG. 3**



**FIG. 4**





**FIG. 5**