



US00D422284S

# United States Patent [19]

Kuan et al.

[11] Patent Number: **Des. 422,284**

[45] Date of Patent: **\*\* Apr. 4, 2000**

[54] AIR CYLINDER

[76] Inventors: **Min-Yuan Kuan; Kun-Shan Hsu**, both of 58, Ma Yuan West St., Taichung, Taiwan

[\*\*] Term: **14 Years**

[21] Appl. No.: **29/107,114**

[22] Filed: **Jun. 30, 1999**

[51] LOC (6) Cl. .... **15-02**

[52] U.S. Cl. .... **D15/9**

[58] Field of Search ..... D15/7-9; 417/63, 417/234, 410, 411, 415

### [56] References Cited

#### U.S. PATENT DOCUMENTS

- D. 273,789 5/1984 Davis ..... D15/9
- D. 273,958 5/1984 Mariol ..... D15/9

- D. 280,993 10/1985 Mariol ..... D15/9
- D. 281,609 12/1985 Herbst ..... D15/9
- D. 281,691 12/1985 Vitaloni ..... D15/9

*Primary Examiner*—Ralf Seifert

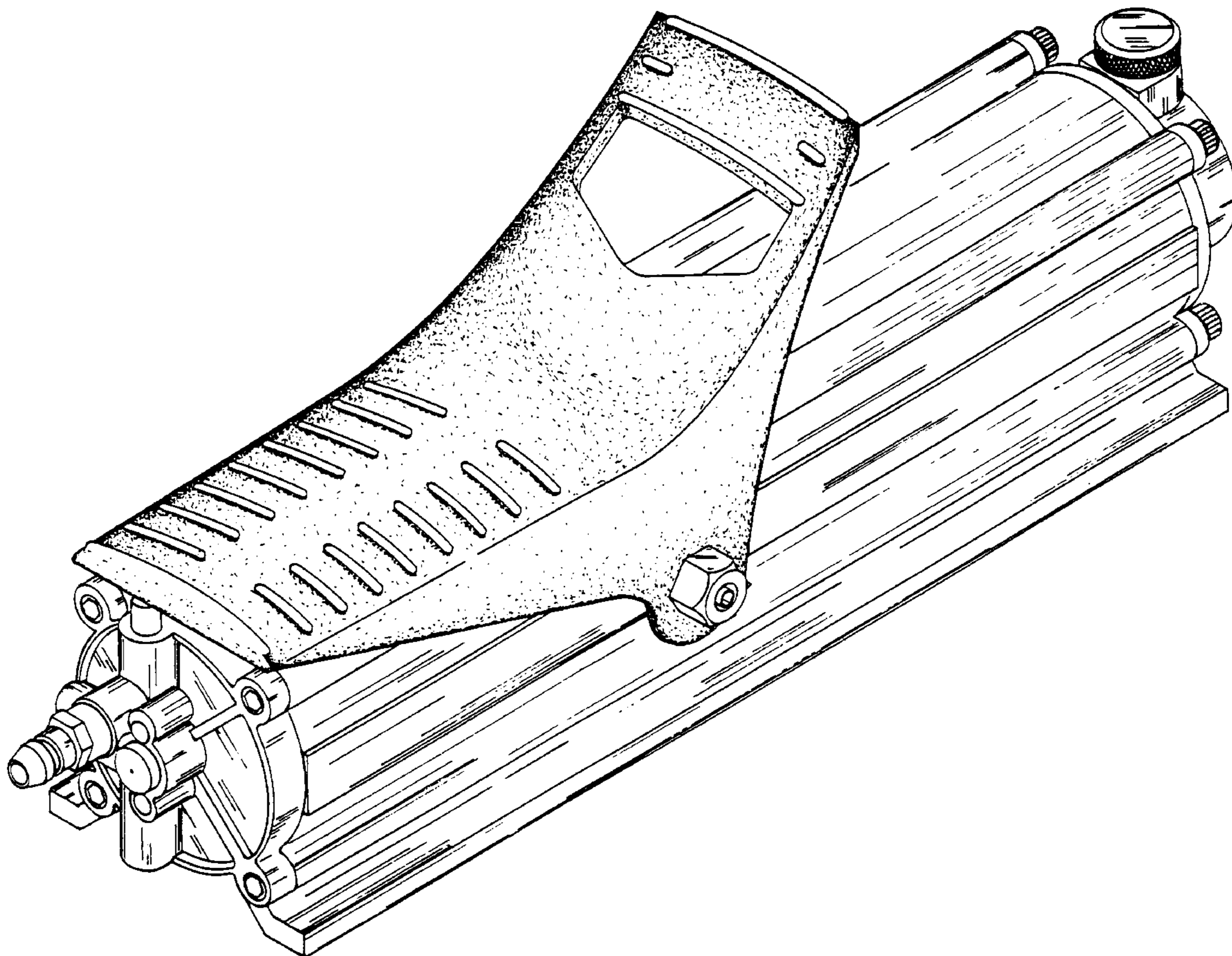
### [57] CLAIM

The ornamental design for a air cylinder, as shown and described.

### DESCRIPTION

FIG. 1 is a perspective view of air cylinder showing my new design;  
 FIG. 2 is a front elevational view thereof;  
 FIG. 3 is a rear elevational view thereof;  
 FIG. 4 is a left side elevational view thereof;  
 FIG. 5 is a right side elevational view thereof;  
 FIG. 6 is a top plan view thereof; and,  
 FIG. 7 is a bottom plan view thereof.

**1 Claim, 6 Drawing Sheets**



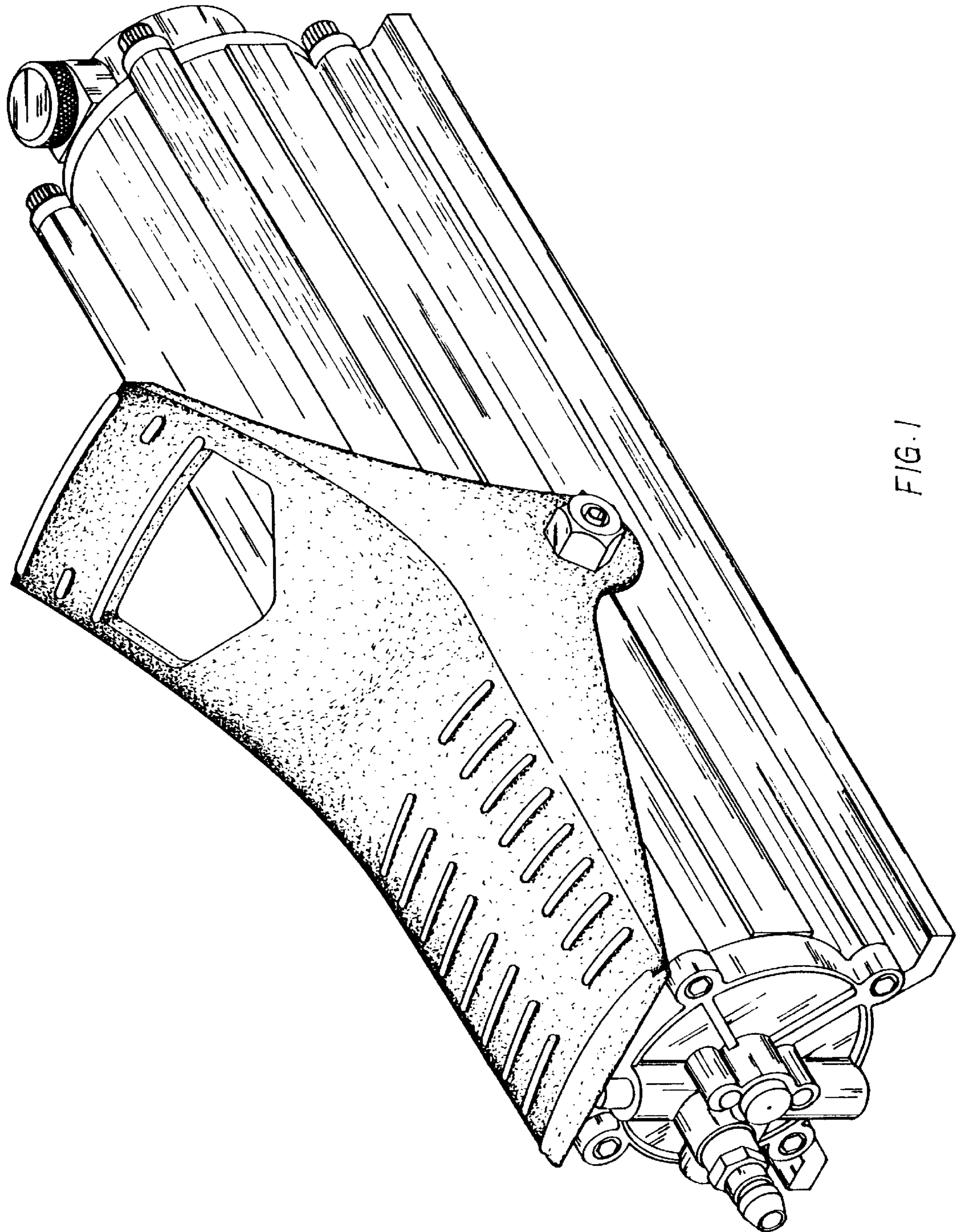


FIG. 1

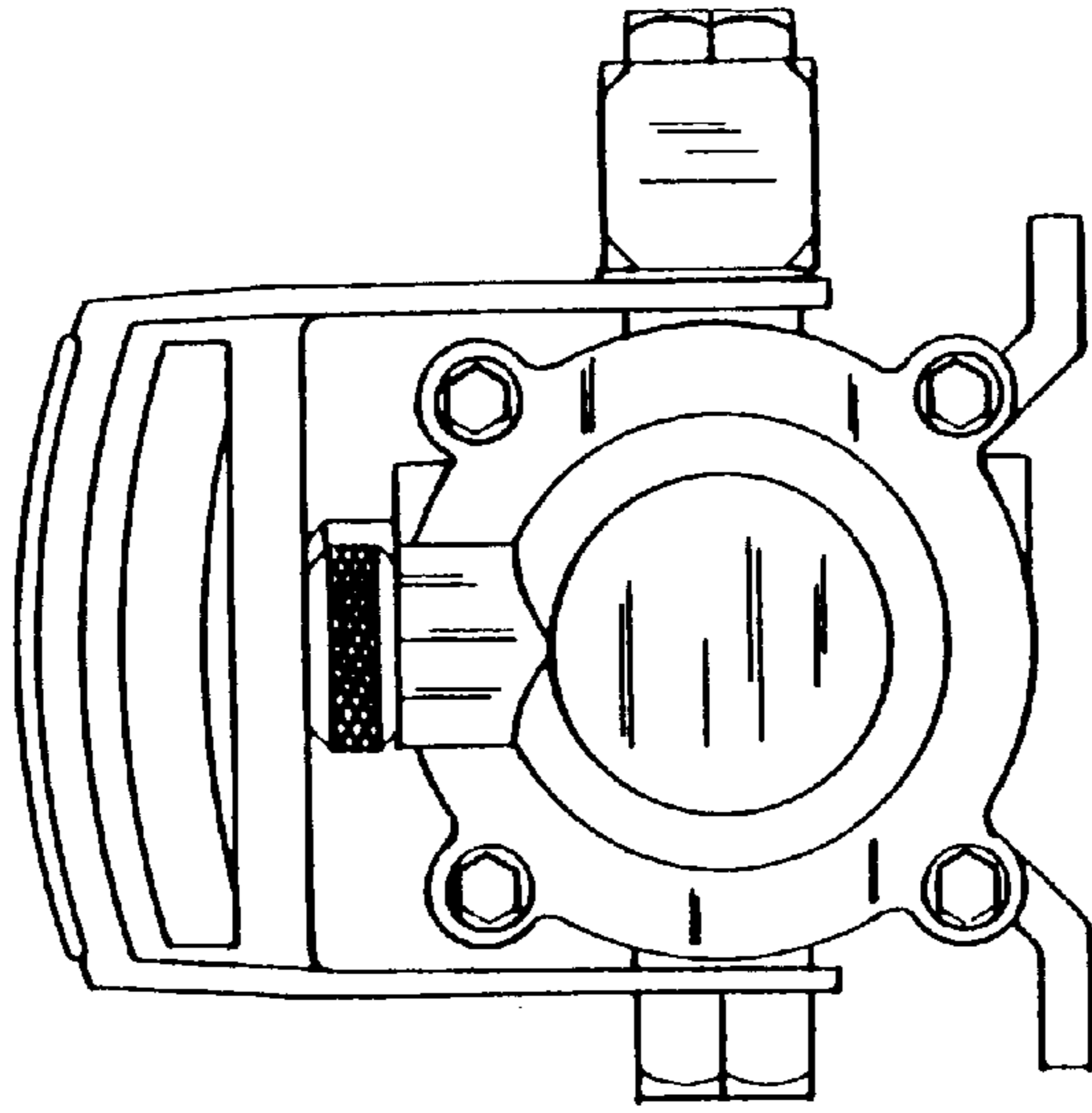


FIG.3

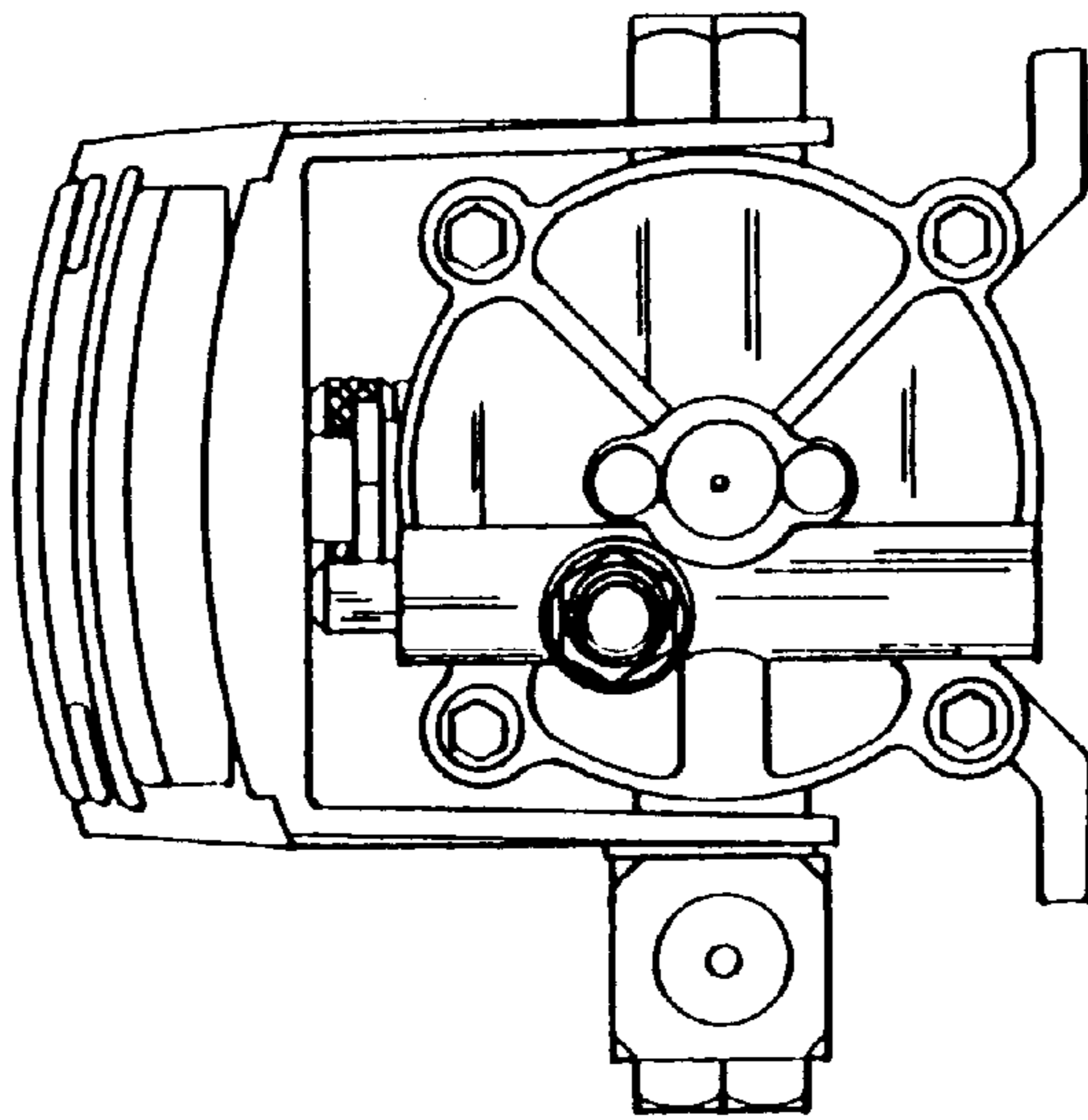


FIG.2



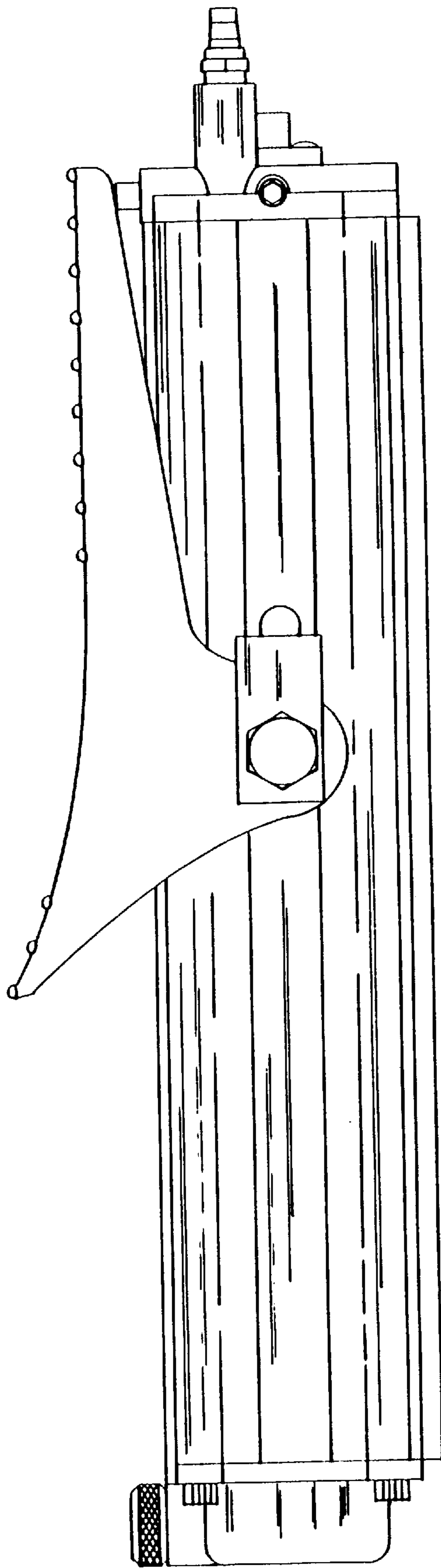


FIG. 4

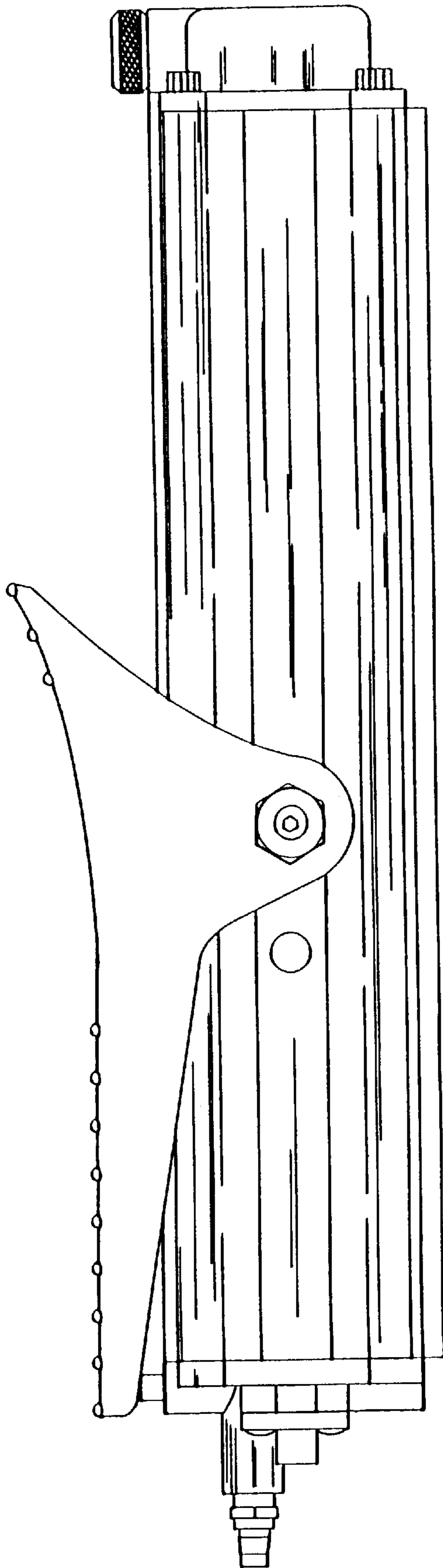


FIG. 5

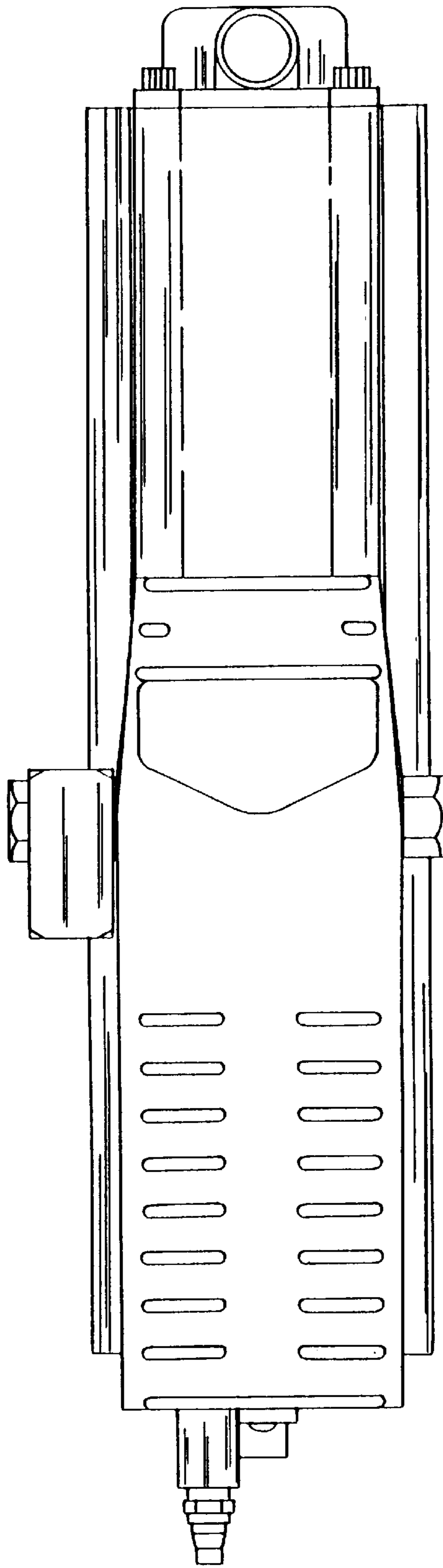


FIG. 6

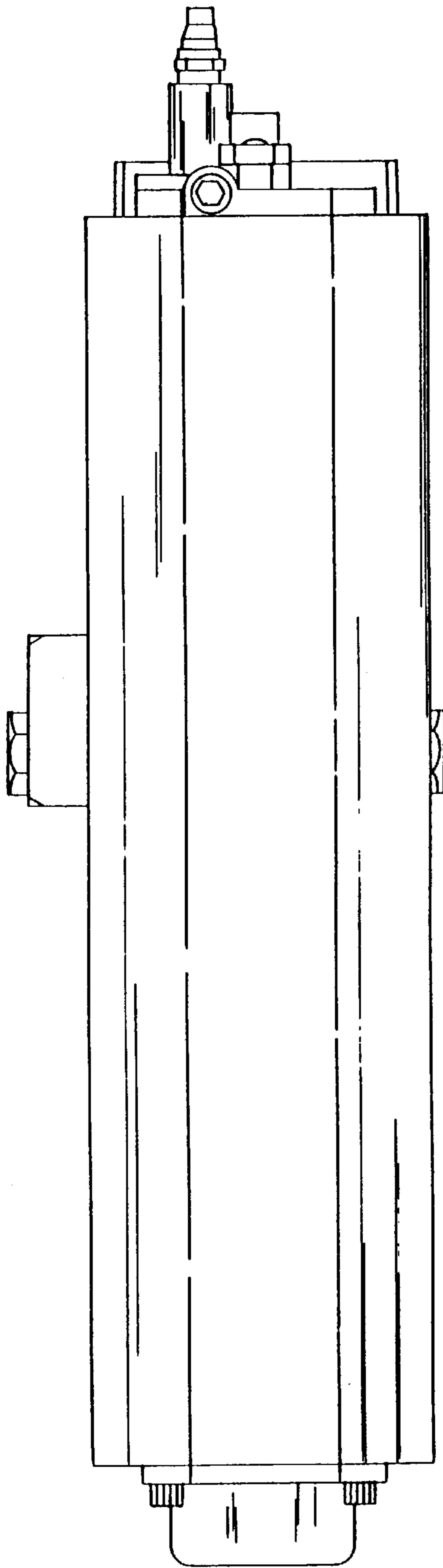


FIG. 7