



US00D422283S

United States Patent [19] Fennelly

[11] Patent Number: Des. 422,283

[45] Date of Patent: ** Apr. 4, 2000

[54] PAY TELEPHONE LOCK BOX

4,937,860 6/1990 Smith 379/445
5,483,583 1/1996 Chen 379/146

[76] Inventor: James B. Fennelly, 118 NE. 90th Ter.,
Kansas City, Mo. 64155

Primary Examiner—Jeffrey Asch
Attorney, Agent, or Firm—Litman, Kraai & Brown L.L.C.

[**] Term: 14 Years

[57] CLAIM

[21] Appl. No.: 29/097,495

The ornamental design for pay telephone lock box, as shown
and described.

[22] Filed: Dec. 8, 1998

DESCRIPTION

[51] LOC (6) Cl. 14-03

[52] U.S. Cl. D14/250; D14/146; D14/240

[58] Field of Search D14/146, 140,
D14/142, 240, 250, 253, 251; D8/330;
379/419, 420, 428, 440, 437, 435, 445,
451, 143-155, 454

FIG. 1 is a perspective view of the pay telephone lock box
in accordance with the present invention, shown with a coin
operated telephone indicated in phantom lines secured
therein.

FIG. 2 is a top plan view of the pay telephone lock box of
FIG. 1.

FIG. 3 is a front elevational view of the pay telephone lock
box of FIG. 1.

FIG. 4 is a rear elevational view of the pay telephone lock
box of FIG. 1.

FIG. 5 is a bottom plan view of the pay telephone lock box
of FIG. 1.

FIG. 6 is a left side elevational view of the pay telephone
lock box of FIG. 1; and,

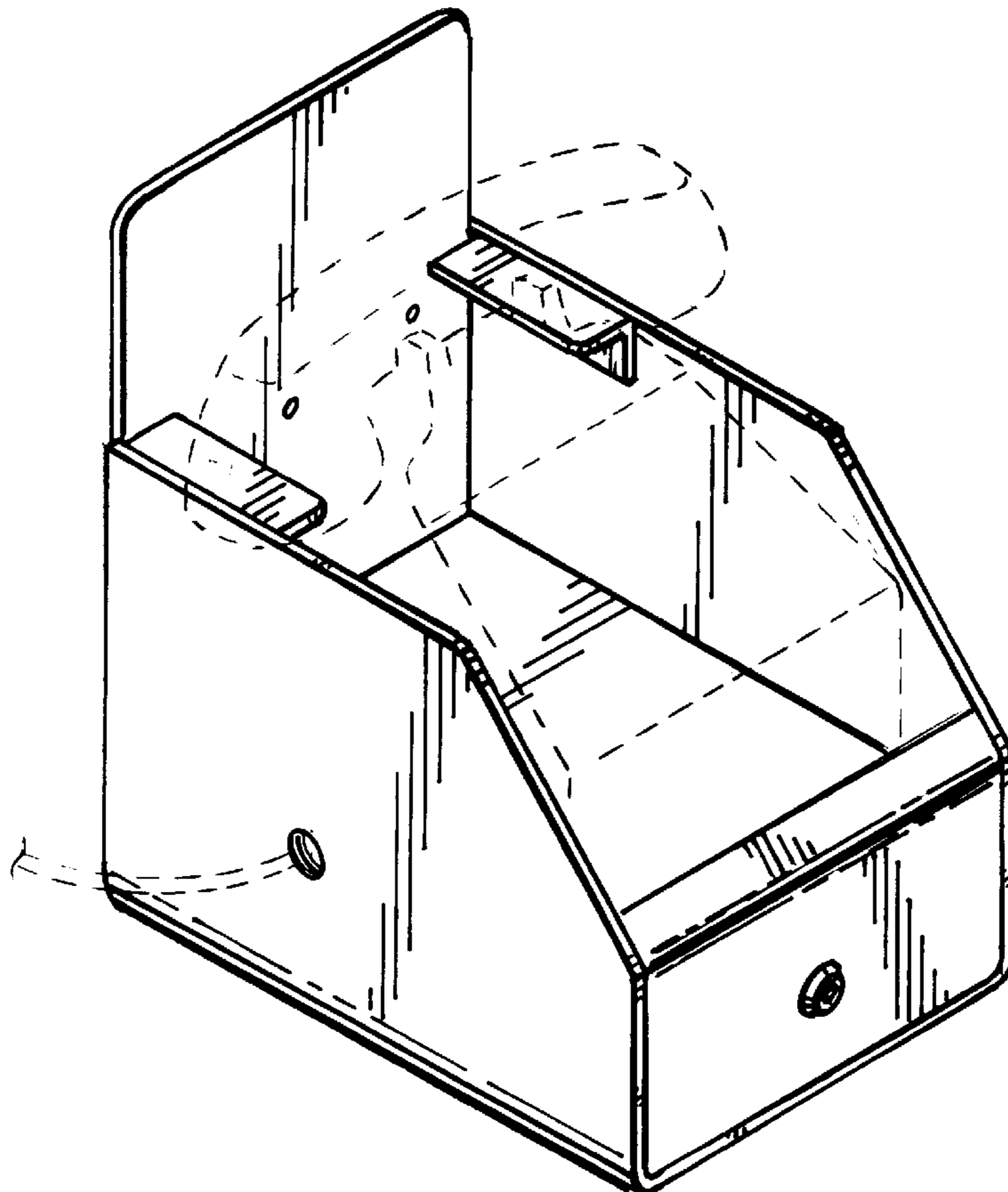
FIG. 7 is a right side elevational view of the pay telephone
lock box of FIG. 1.

[56] References Cited

U.S. PATENT DOCUMENTS

D. 274,331	6/1984	Karsch	D14/250
D. 297,235	8/1988	Albertson	D14/146
D. 315,909	4/1991	Ward	D14/250
D. 358,154	5/1995	Jondelius	D14/253
2,928,909	3/1960	Allen	379/445
3,715,519	2/1973	O'leary	379/454 X
4,178,477	12/1979	Sato	379/86
4,267,411	5/1981	Raines	379/451
4,736,408	4/1988	Chen	379/155
4,763,352	8/1988	Goff	.	

1 Claim, 3 Drawing Sheets



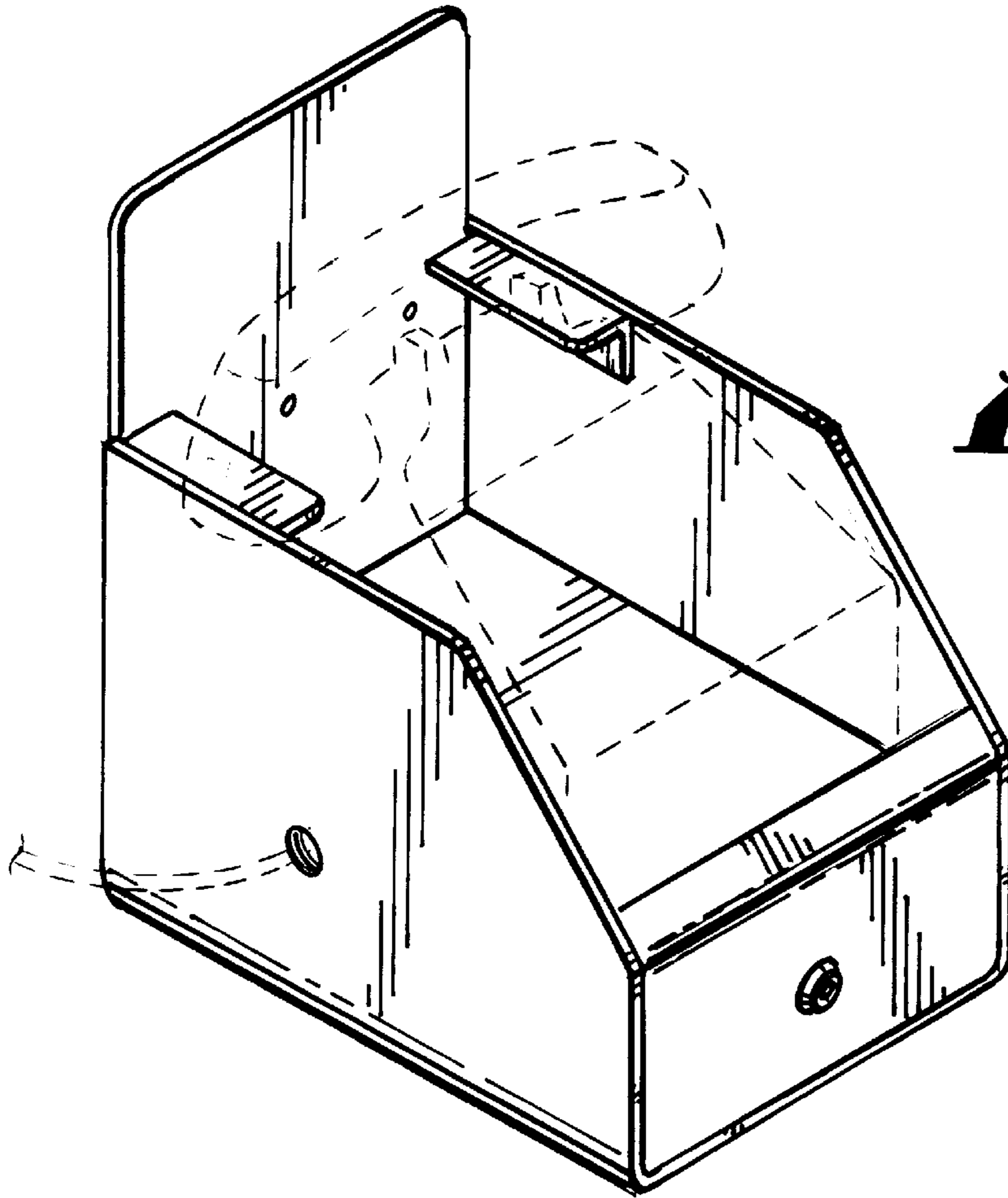


Fig. 1.

Fig. 2.

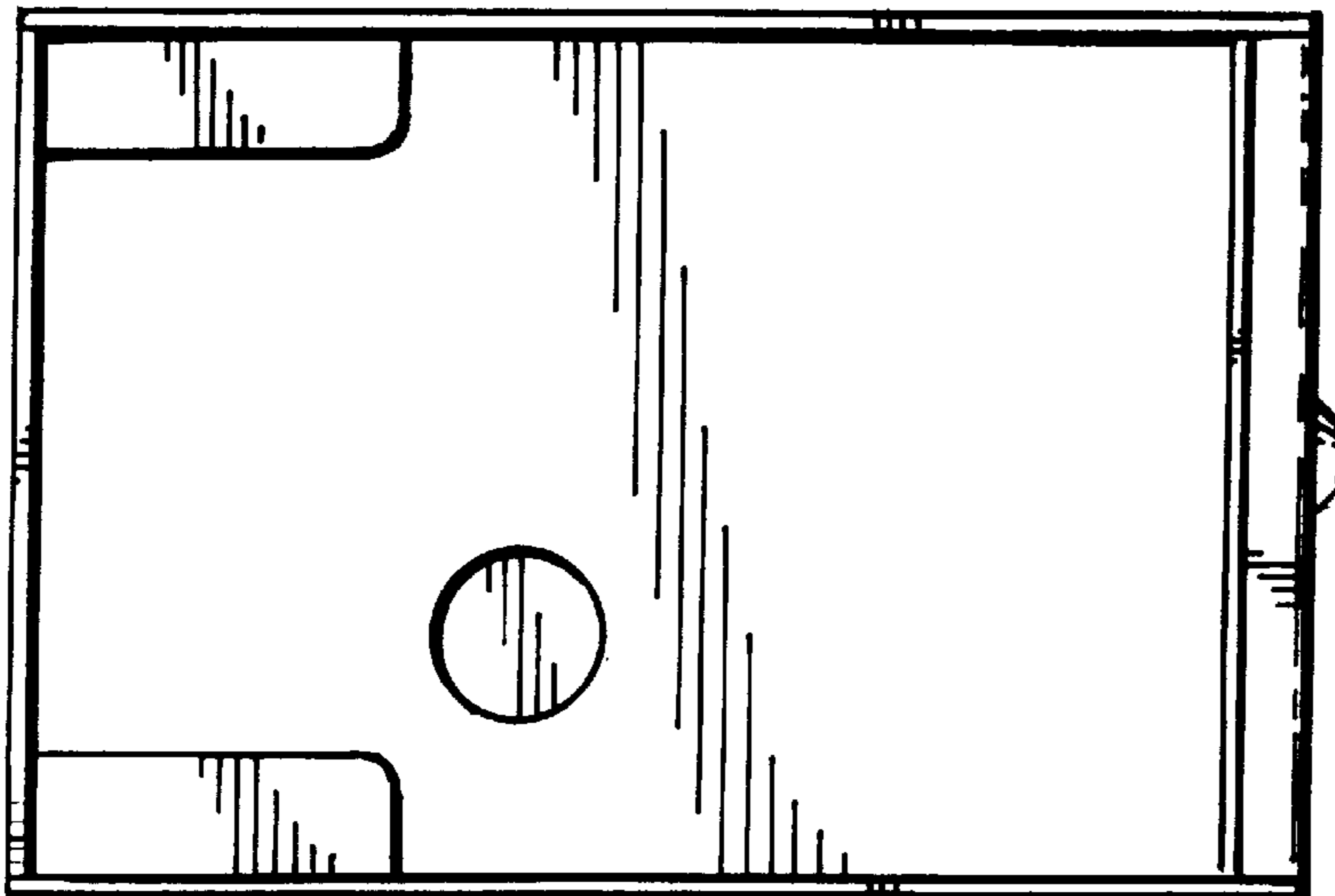


Fig. 3.

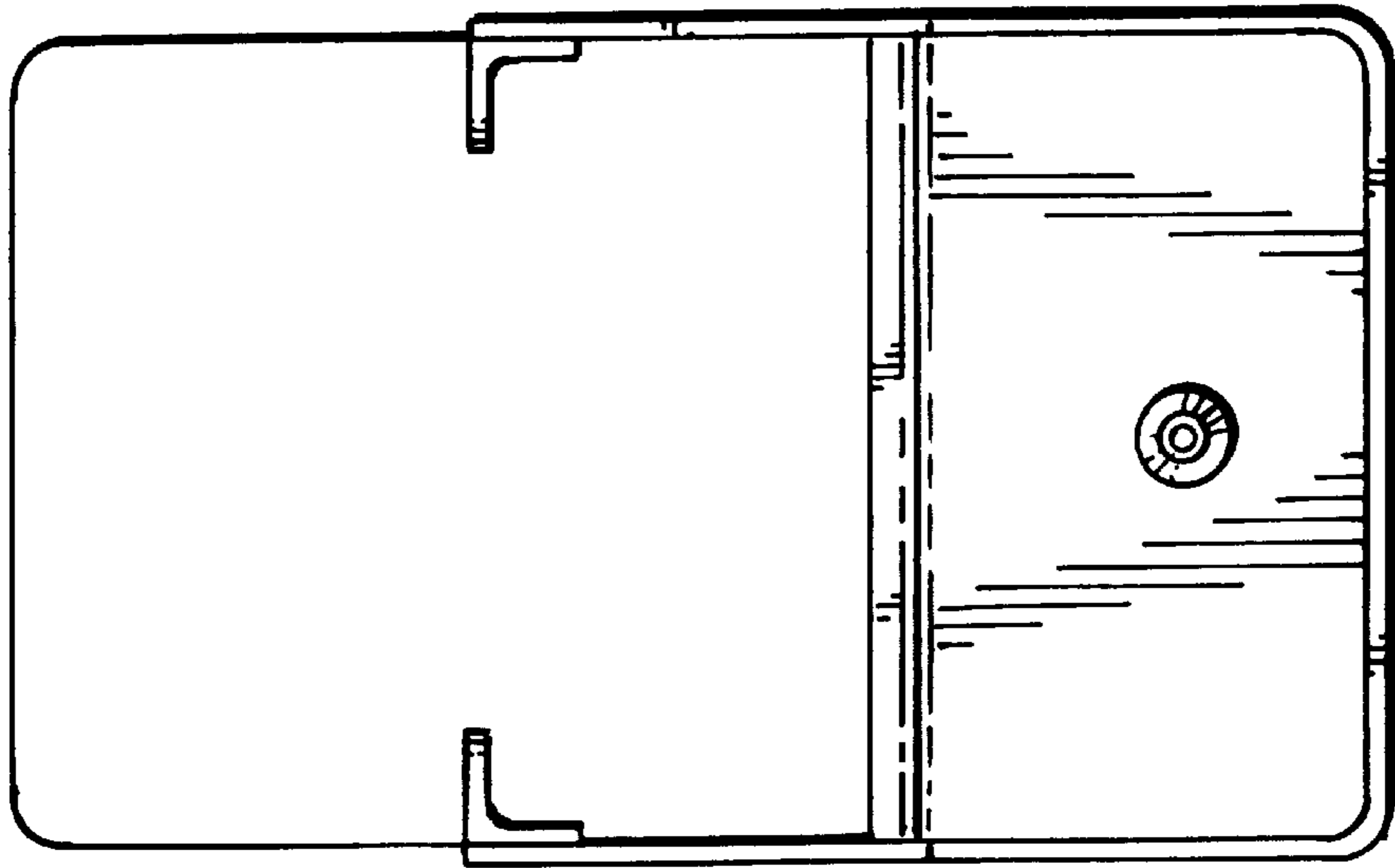


Fig. 4.

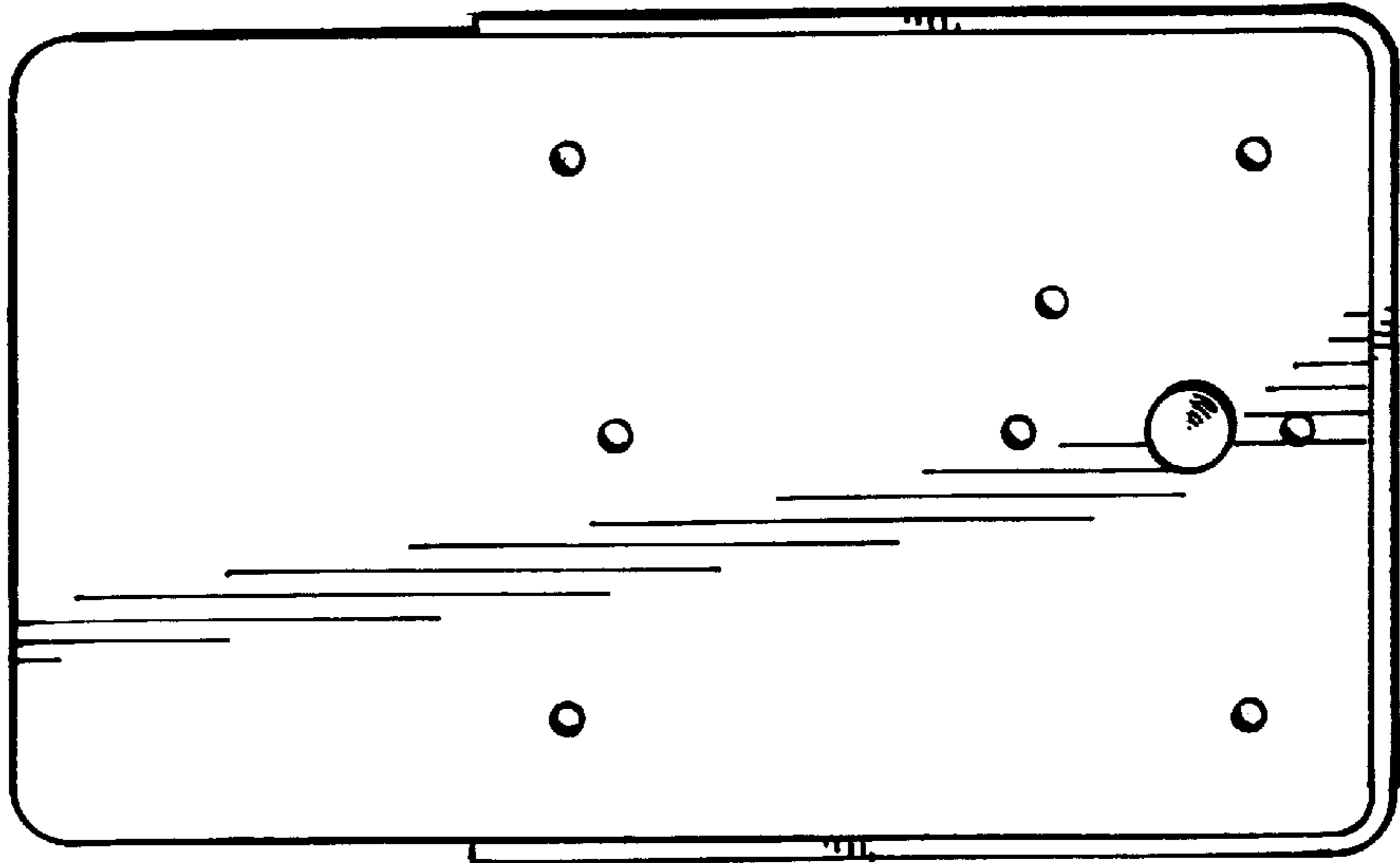


Fig. 5.

