



US00D422279S

United States Patent [19] Zeitman

[11] **Patent Number: Des. 422,279**

[45] **Date of Patent: ** *Apr. 4, 2000**

[54] **TELEPHONE SET**

[75] Inventor: **Josh Zeitman**, Brooklyn, N.Y.

[73] Assignee: **Lennox Electronics Corp.**, Brooklyn, N.Y.

[*] Notice: This patent is subject to a terminal disclaimer.

[**] Term: **14 Years**

[21] Appl. No.: **29/037,668**

[22] Filed: **Apr. 18, 1995**

[51] **LOC (6) Cl. 14-03**

[52] **U.S. Cl. D14/151; D14/241**

[58] **Field of Search D14/149-151, D14/140, 142, 240, 241, 147-148, 252; 379/454, 455, 433-436, 419, 420, 428, 440**

[56] **References Cited**

U.S. PATENT DOCUMENTS

- D. 291,439 8/1987 Wu D14/151
- D. 295,936 5/1988 Ohta et al. D14/151
- D. 301,138 5/1989 Lee D14/252 X

- D. 321,871 11/1991 Ando D14/241 X
- D. 339,583 9/1993 Taniguchi D14/151
- D. 356,087 3/1995 Jarrett et al. D14/151

OTHER PUBLICATIONS

B.A.Pargh Catalog, Spring/Summer 1992, p. 316, Panasonic Telephone at top left.

Primary Examiner—Jeffrey Asch
Attorney, Agent, or Firm—Burns, Doane, Swecker & Mathis, L.L.P.

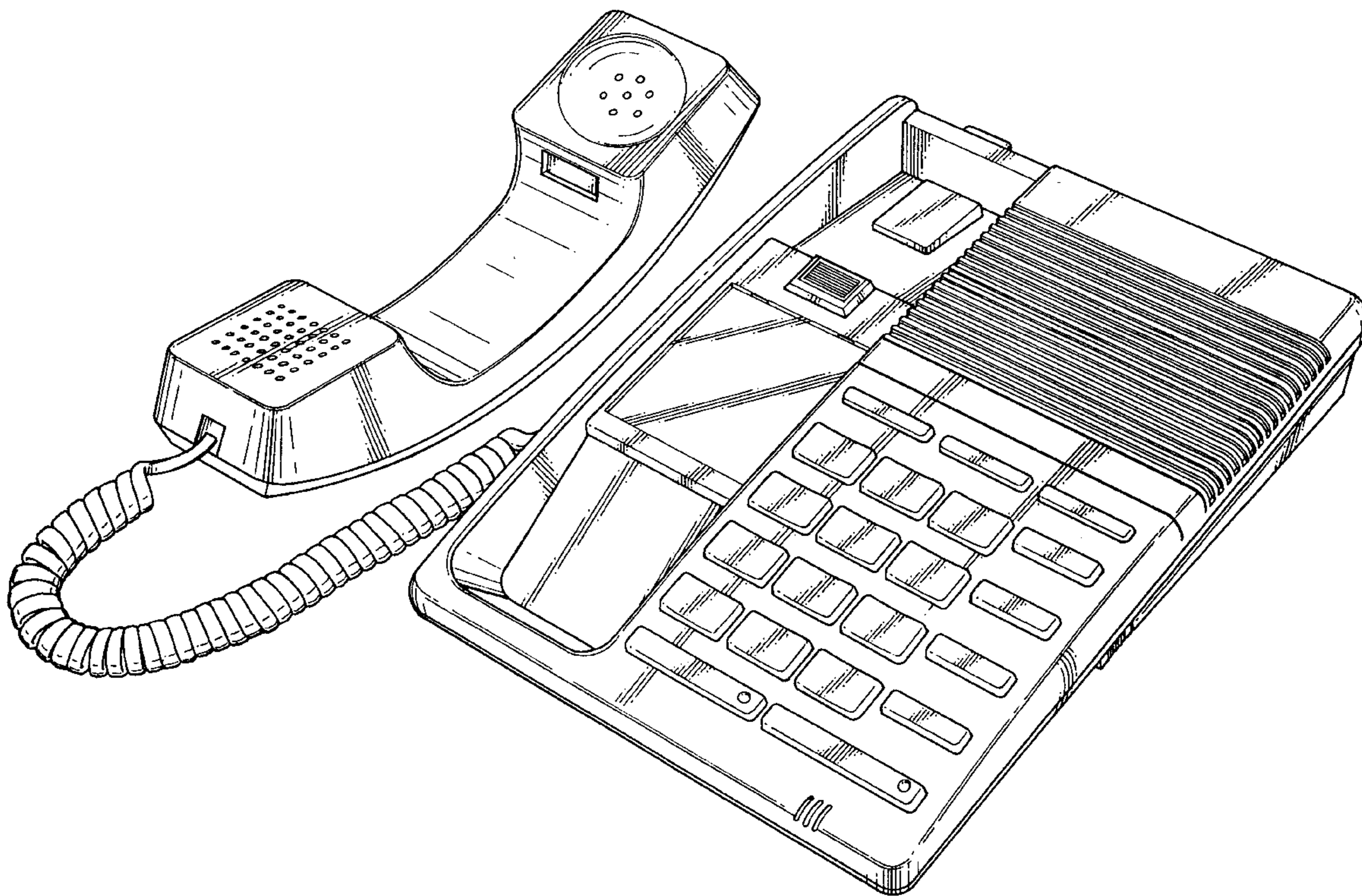
[57] **CLAIM**

The ornamental design for a “telephone set,” as shown and described.

DESCRIPTION

FIG. 1 is the perspective view from above and right side with the handset removed;
FIG. 2 is the front view thereof;
FIG. 3 is the rear view thereof;
FIG. 4 is the left side view thereof;
FIG. 5 is the right side view thereof;
FIG. 6 is the top view thereof; and,
FIG. 7 is the bottom view thereof.

1 Claim, 5 Drawing Sheets



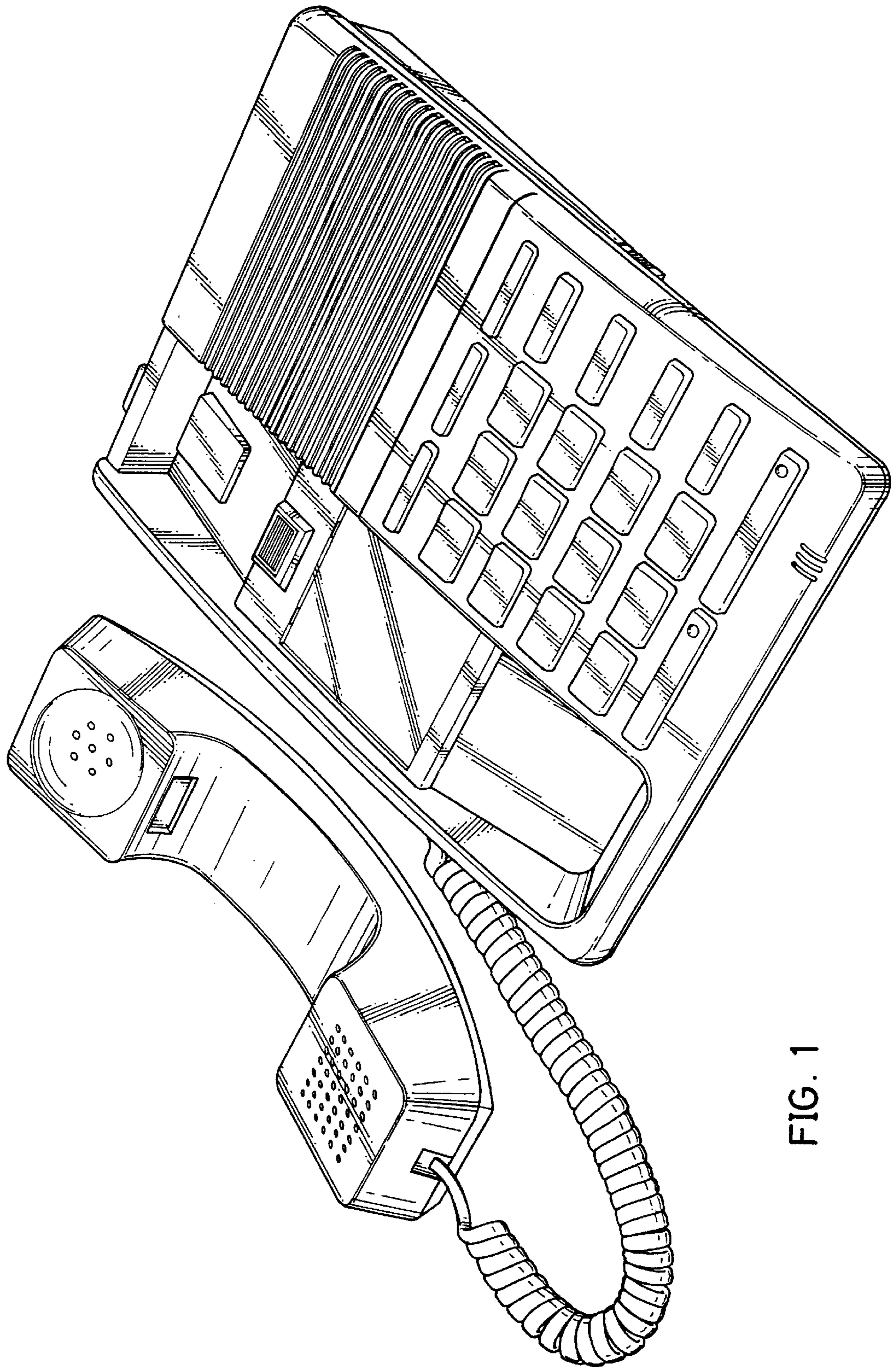


FIG. 1

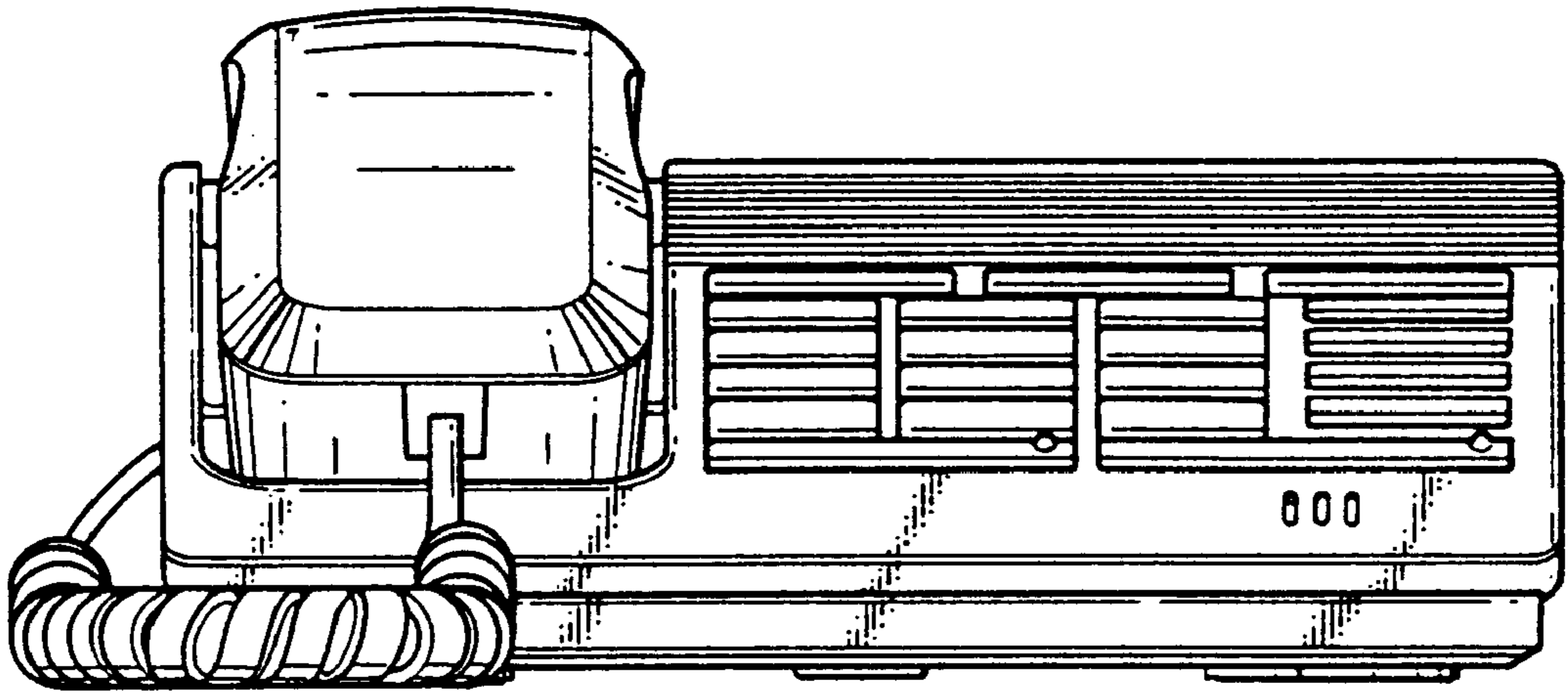


FIG. 2

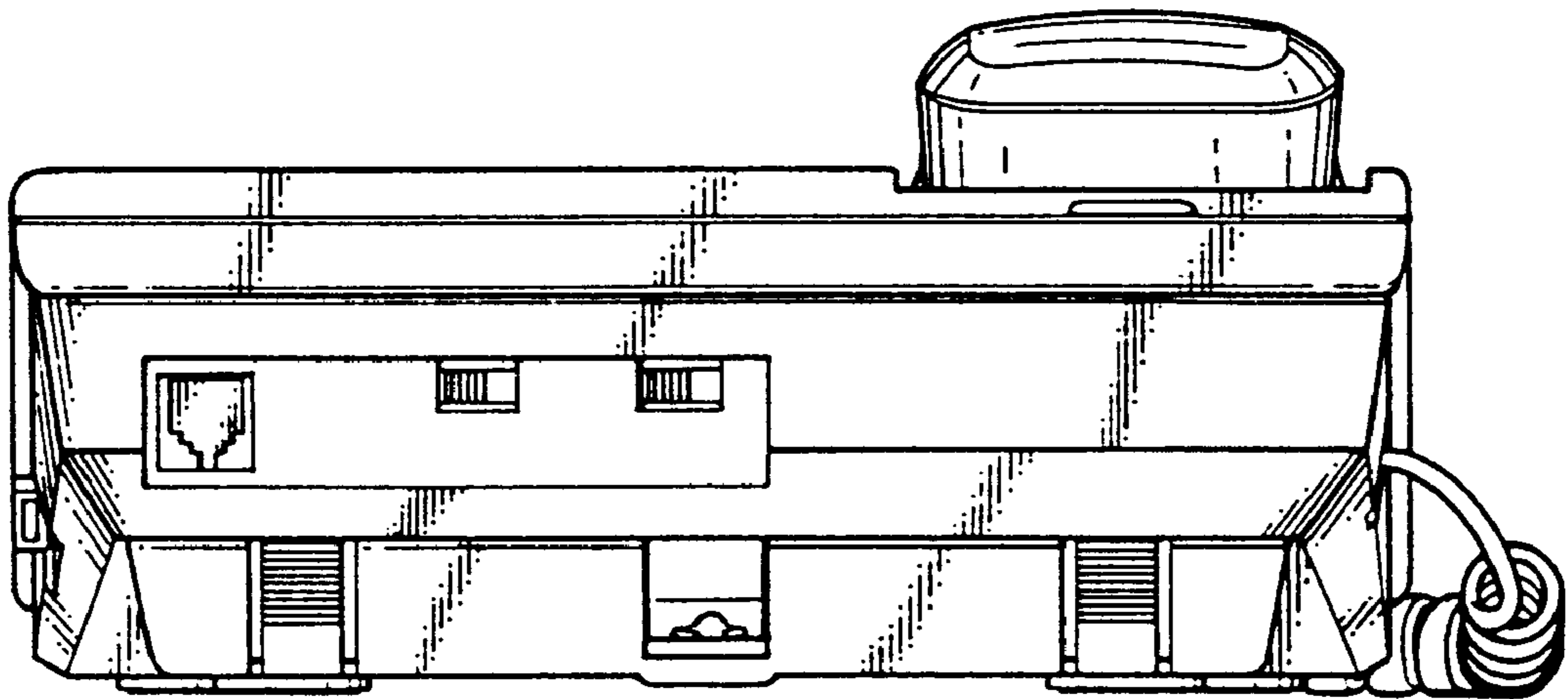


FIG. 3

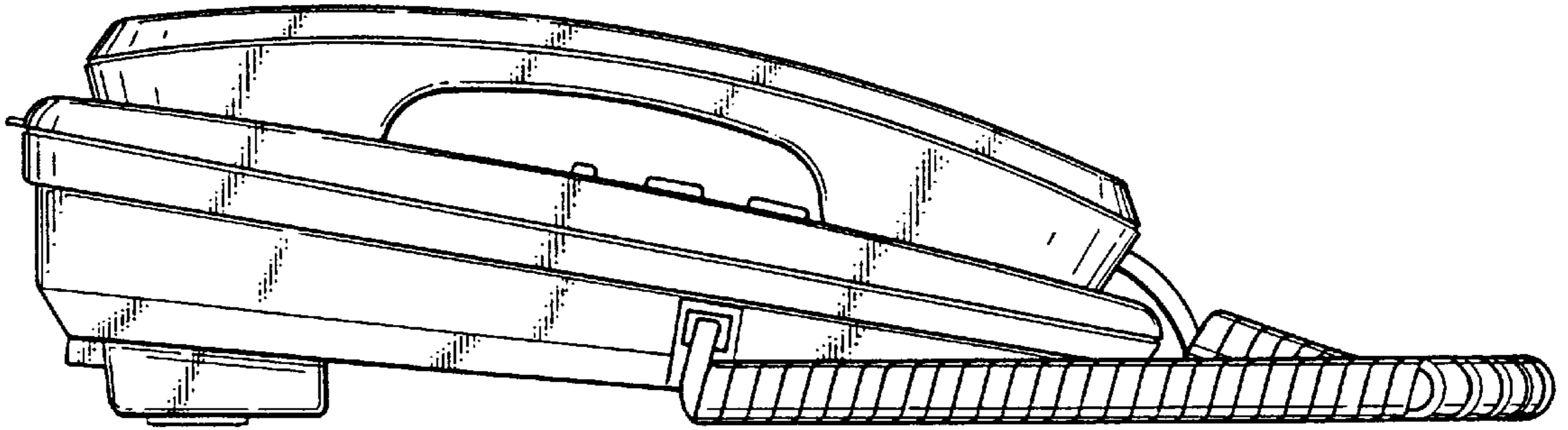


FIG. 4

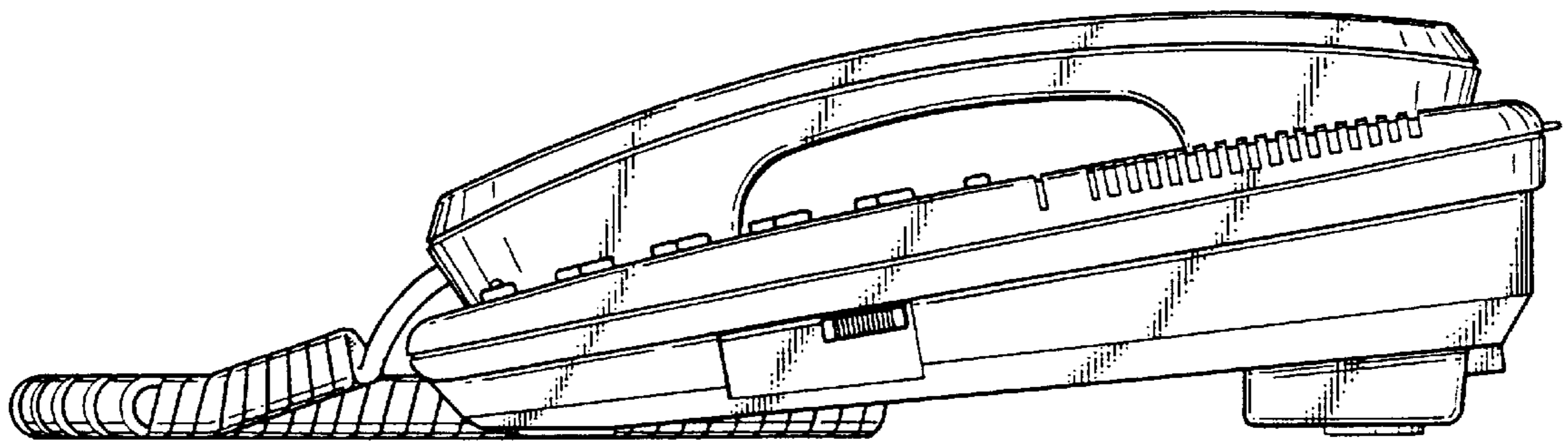


FIG. 5

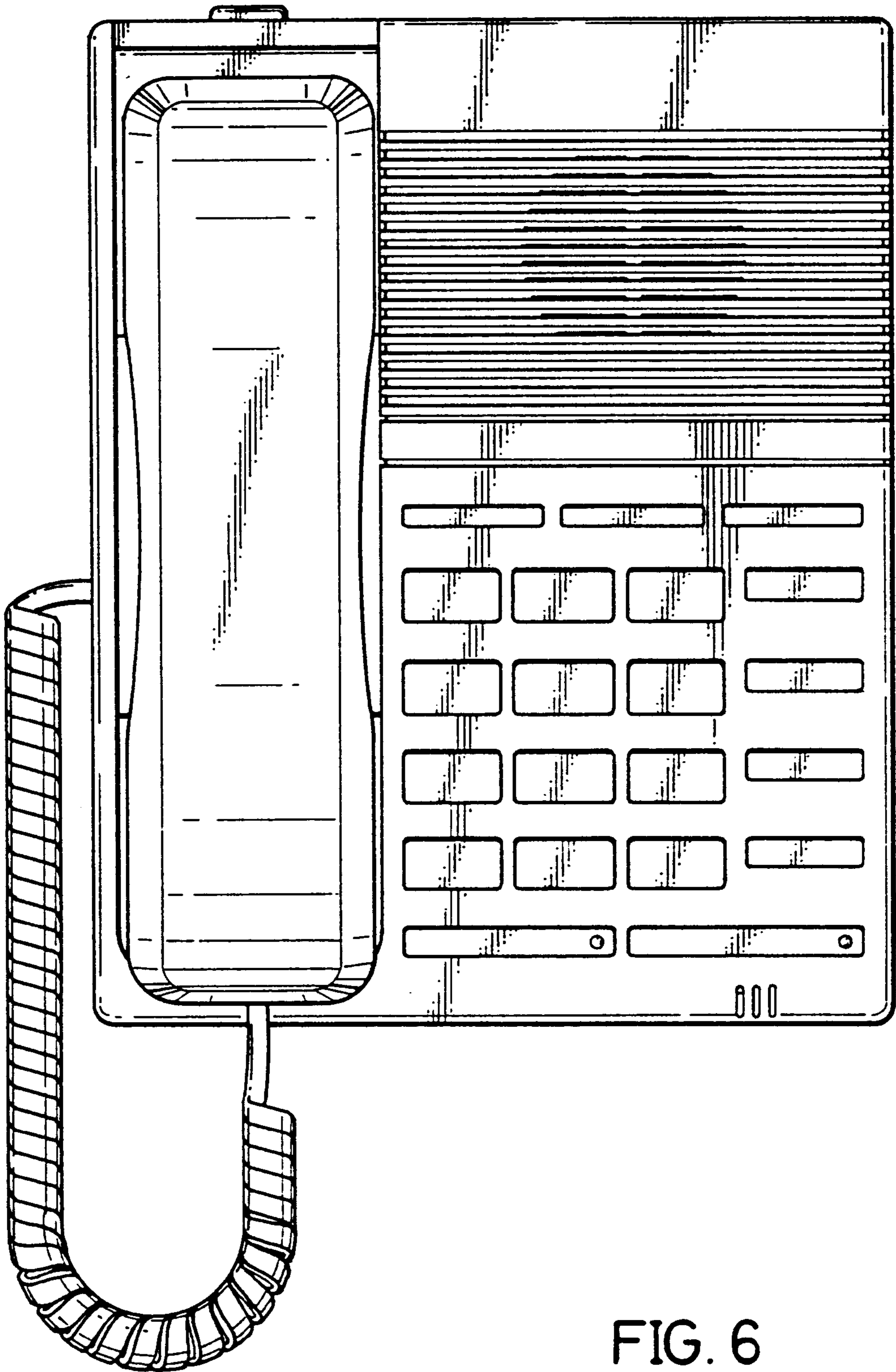


FIG. 6

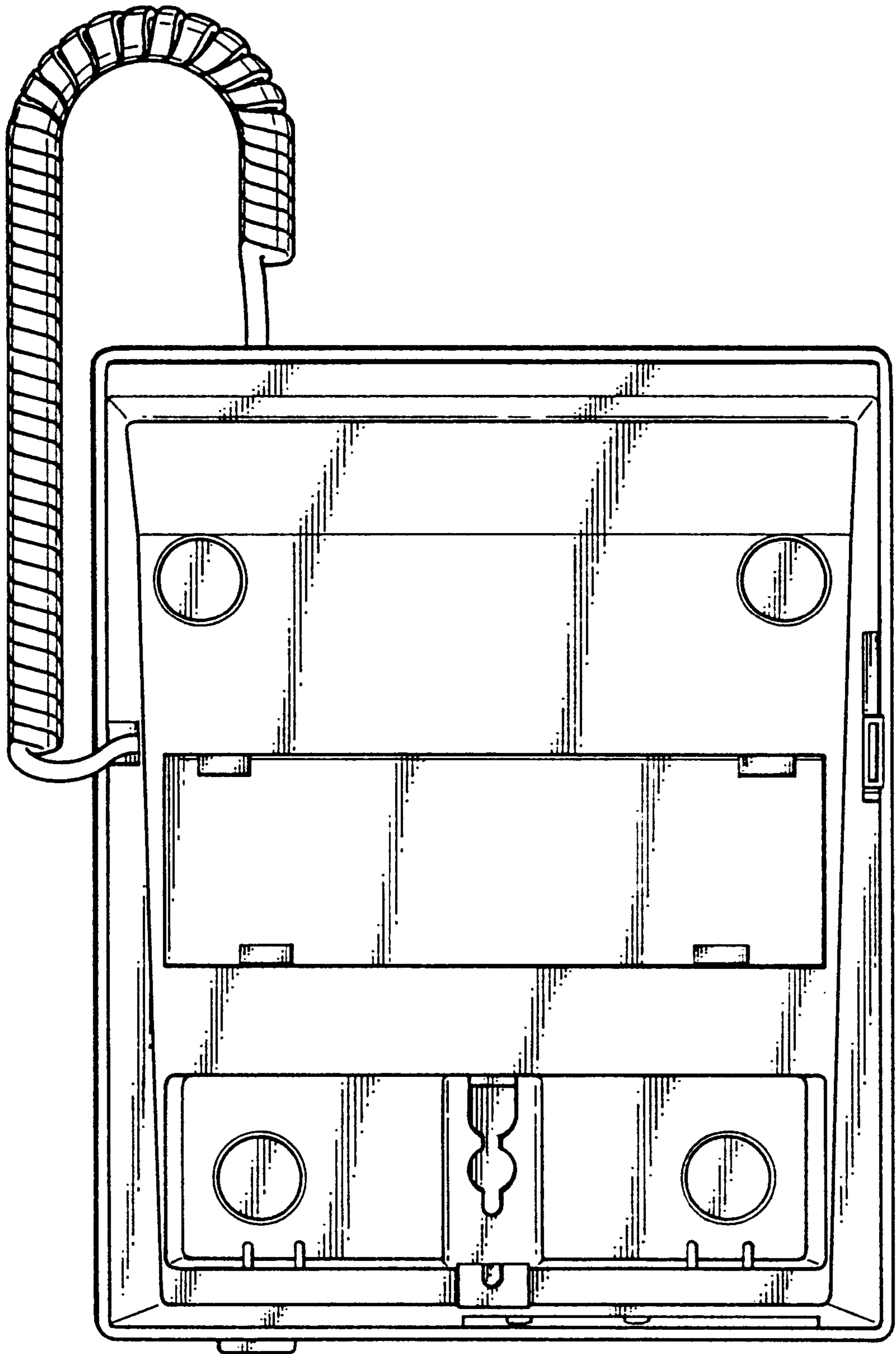


FIG. 7