



US00D422270S

# United States Patent [19] Wong

[11] **Patent Number: Des. 422,270**

[45] **Date of Patent: \*\* Apr. 4, 2000**

[54] **COMPUTER CASE**

D. 346,157 4/1994 Jordan, III ..... D14/100  
D. 378,515 3/1997 Senshiki ..... D14/100

[76] Inventor: **Cathy Wong**, No. 33-2, Alley 4, Lane 611, Yuan-San Rd., Chung-Ho City, Taipei Hsien, Taiwan

*Primary Examiner*—Freda Nunn  
*Attorney, Agent, or Firm*—Pro-Techtor International Services

[\*\*] Term: **14 Years**

### [57] CLAIM

[21] Appl. No.: **29/099,467**

The ornamental design for a computer case, as shown and described.

[22] Filed: **Jan. 21, 1999**

### DESCRIPTION

[51] **LOC (6) Cl.** ..... **14-02**

[52] **U.S. Cl.** ..... **D14/100; D14/109**

[58] **Field of Search** ..... D14/100, 102, D14/107-109; D13/162, 184, 199; D6/432, 436, 445, 448; 312/223.2; 360/99.12; 361/694, 696; 369/34, 36

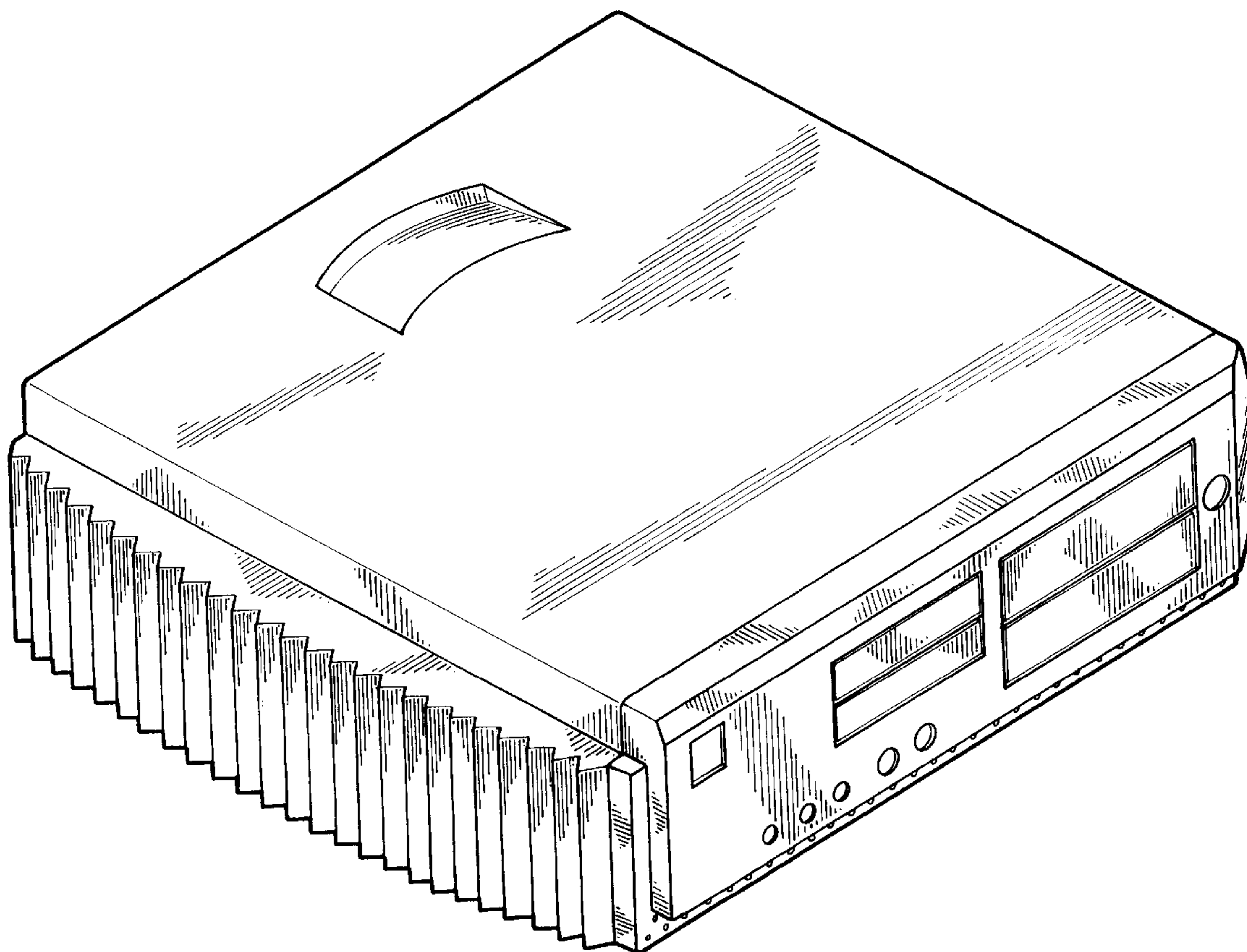
FIG. 1 is the front elevation view of a computer case showing my new design;  
FIG. 2 is the rear elevation view thereof;  
FIG. 3 is the left side view thereof;  
FIG. 4 is the right side view thereof;  
FIG. 5 is the top plan view thereof;  
FIG. 6 is the bottom plan view thereof; and,  
FIG. 7 is the perspective view thereof.

### [56] References Cited

#### U.S. PATENT DOCUMENTS

D. 342,724 12/1993 Yurkonis et al. .... D14/100

**1 Claim, 5 Drawing Sheets**



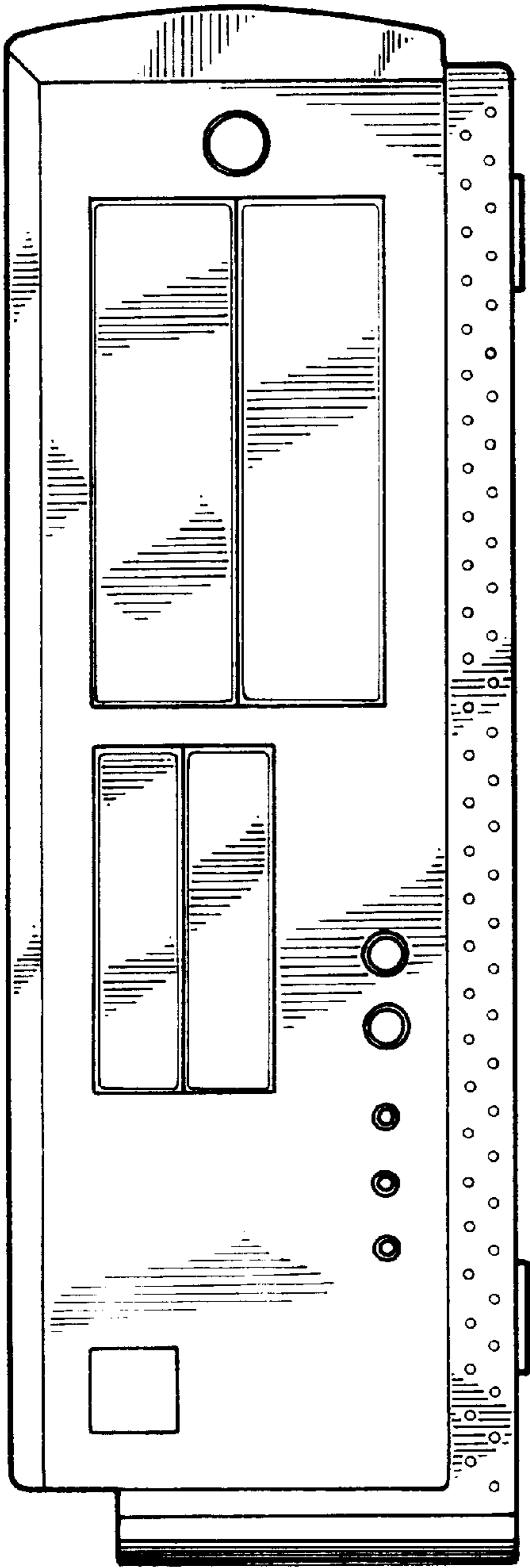


Fig. 1

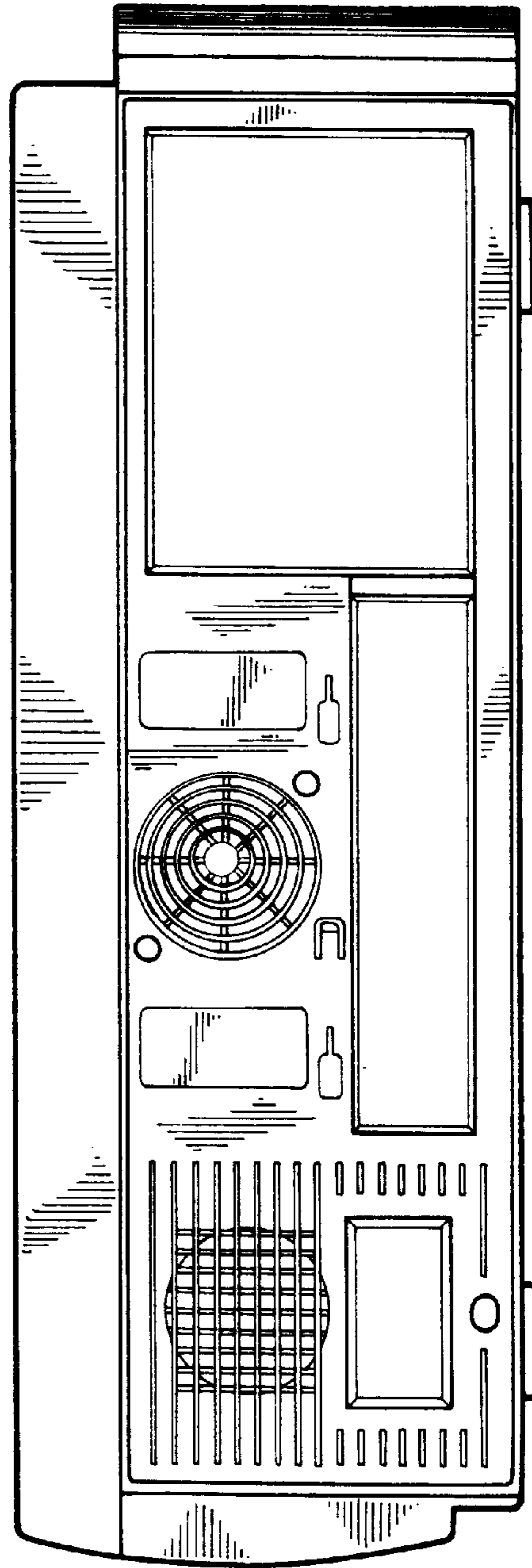


Fig. 2

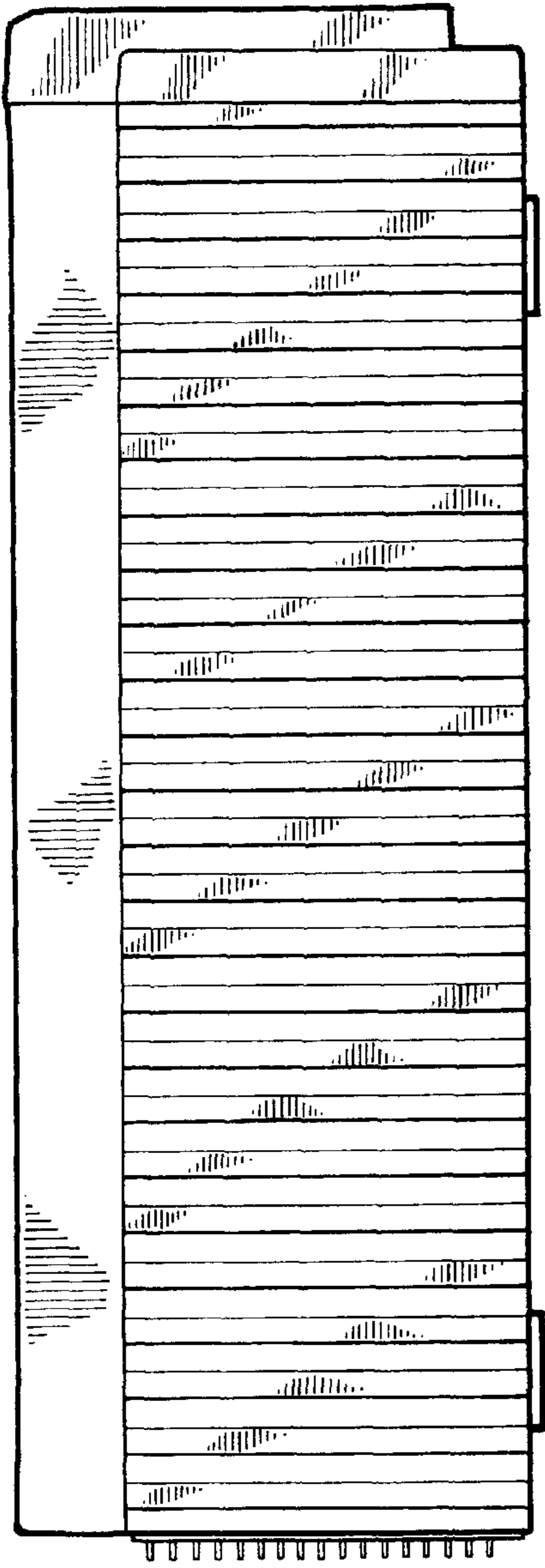


Fig. 3

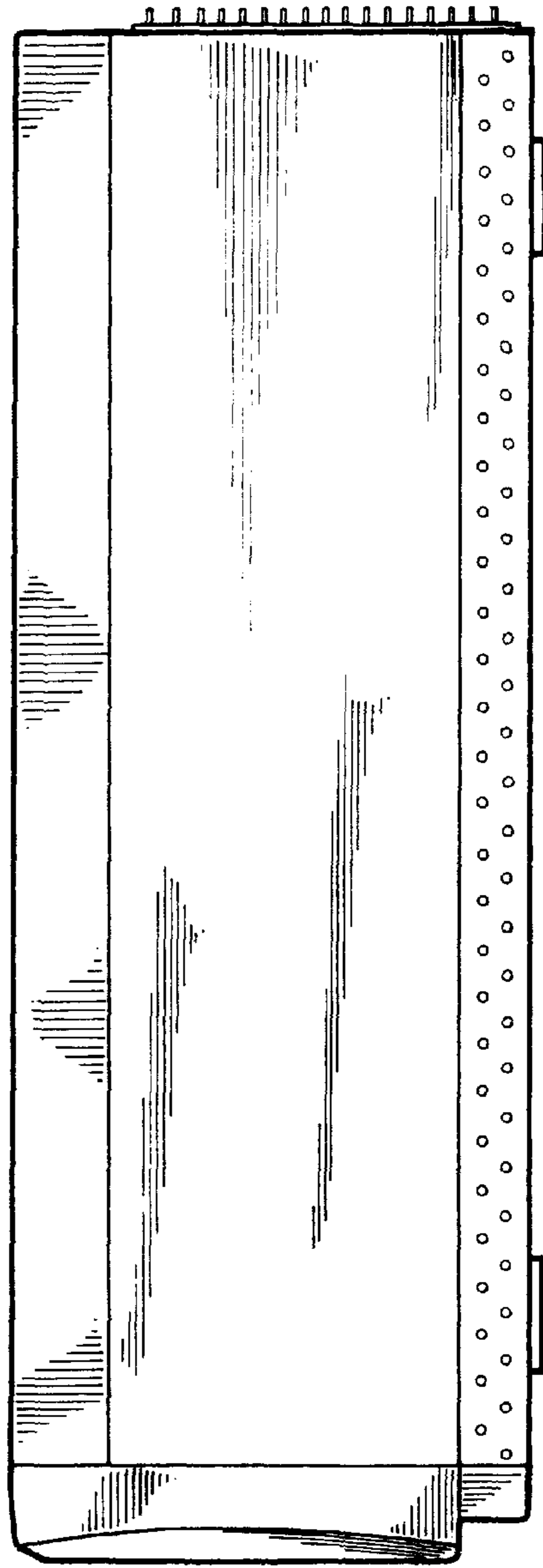


Fig. 4

Fig. 5

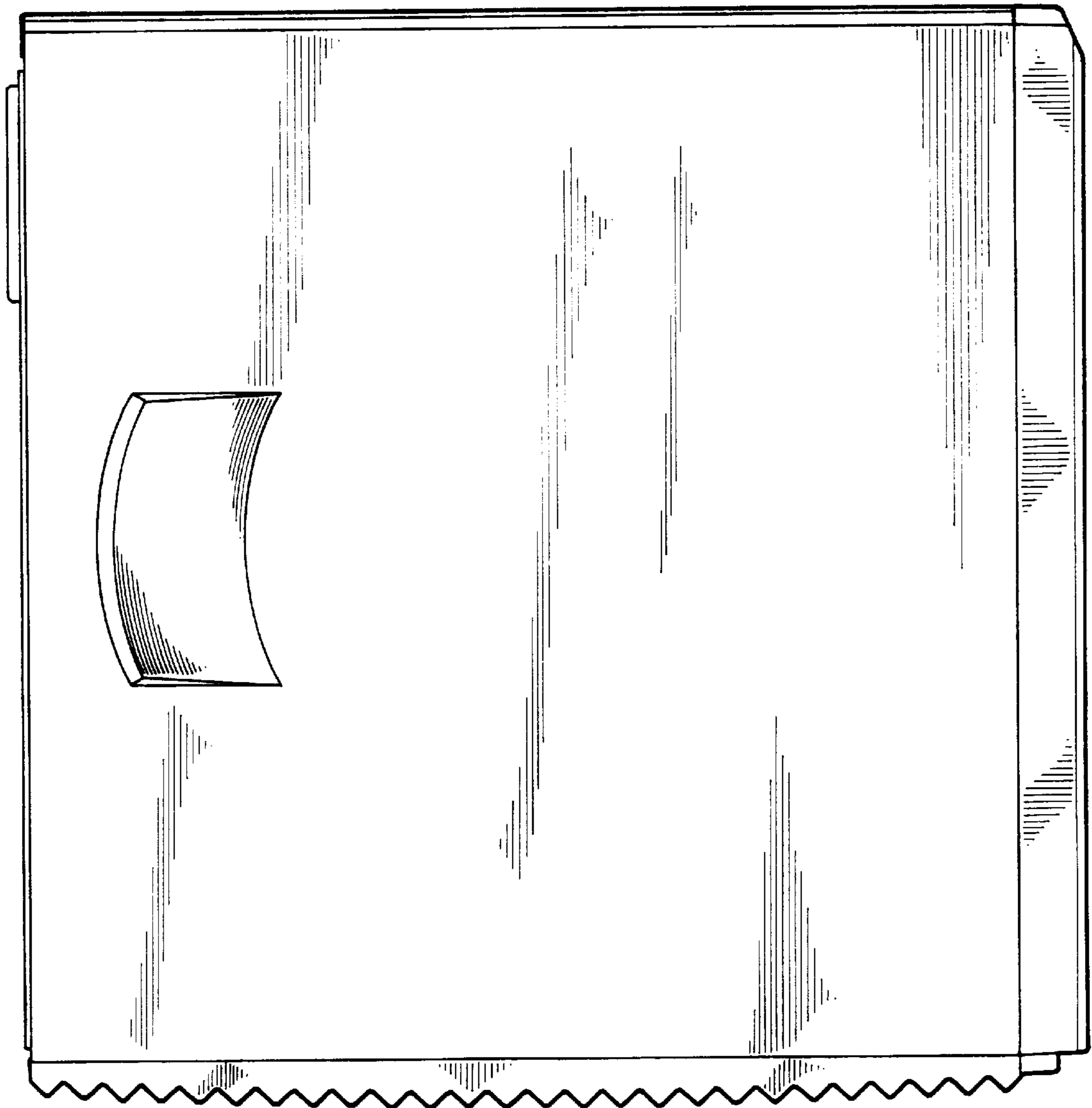
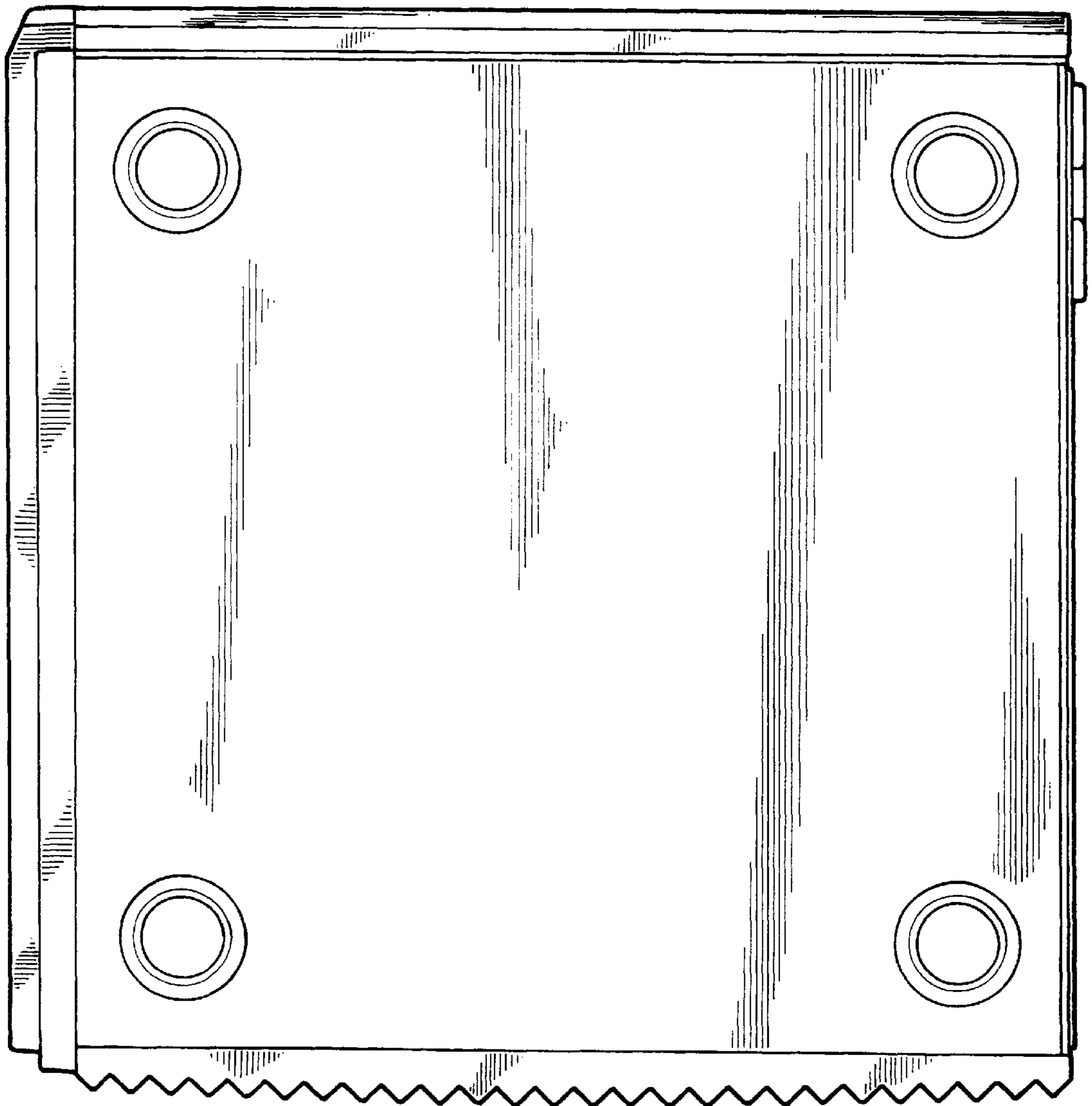


Fig. 6



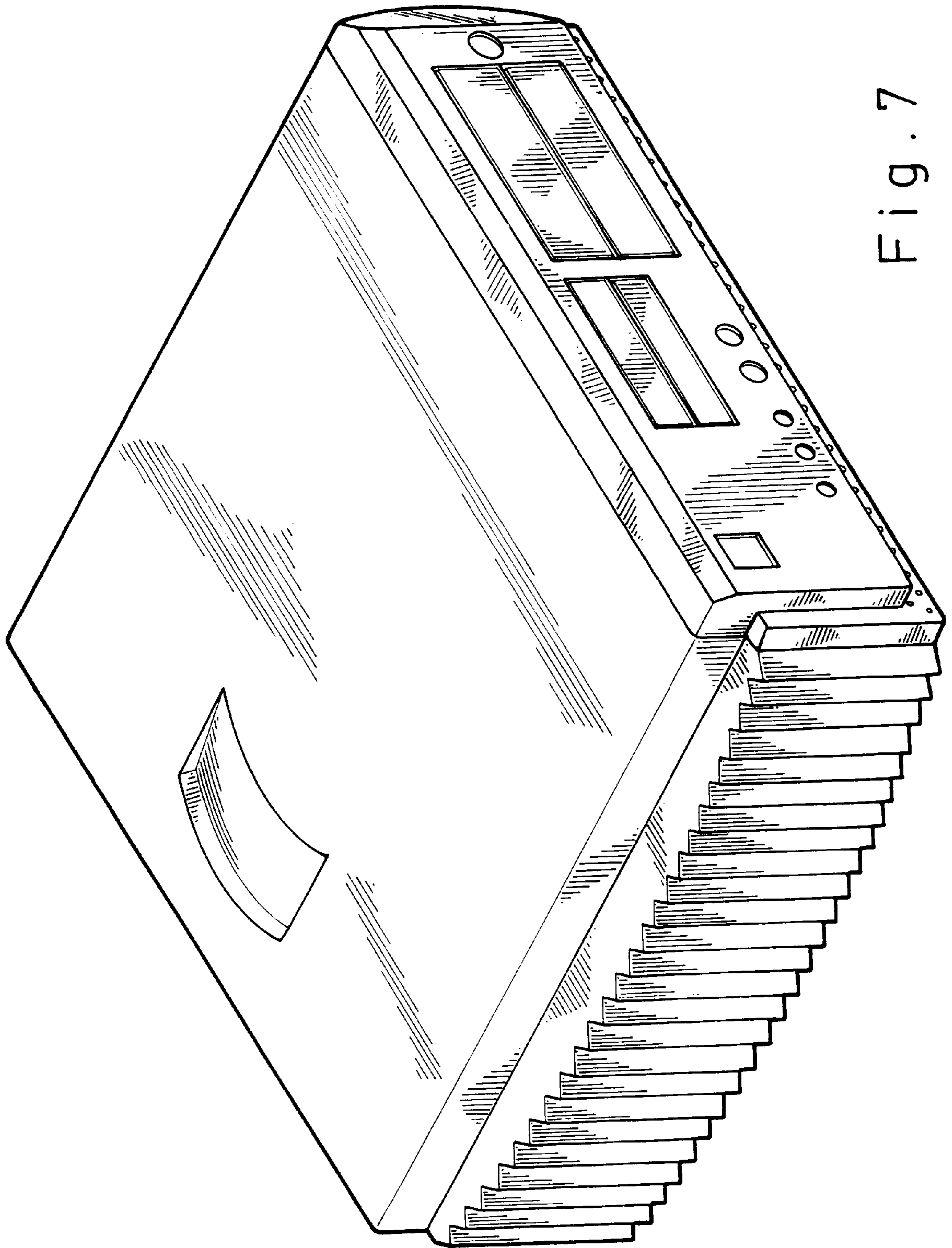


Fig. 7