



US00D422268S

United States Patent [19]

Tsui

[11] Patent Number: Des. 422,268

[45] Date of Patent: ** Apr. 4, 2000

[54] **REMOTE CONTROL UNIT**

[76] Inventor: **Philip Y. W. Tsui**, 3513 Ingram Road, Mississauga, Ontario, Canada, L5L 4M4

[**] Term: **14 Years**

[21] Appl. No.: **29/094,790**

[22] Filed: **Oct. 9, 1998**

[51] **LOC (6) Cl.** **13-03**

[52] **U.S. Cl.** **D13/168**

[58] **Field of Search** D13/168; D14/218, D14/191, 174; D21/324; 340/825, 825.22, 825.23, 825.24, 825.25, 825.31, 825.32, 825.36, 825.58, 825.69, 825.72; 341/176

[56] **References Cited**

U.S. PATENT DOCUMENTS

| | | | | |
|------------|---------|----------------|-------|-----------|
| D. 305,019 | 12/1989 | Pena et al. | | D13/168 X |
| D. 377,767 | 2/1997 | Doppelt et al. | | D13/168 X |
| D. 402,966 | 12/1998 | Lim | | D13/168 |
| D. 406,107 | 2/1999 | Flick | | D13/168 |
| D. 407,695 | 4/1999 | Hwang | | D13/168 |
| D. 409,577 | 5/1999 | Doppelt et al. | | D13/168 |
| 5,606,143 | 2/1997 | Young | | 340/825 X |

Primary Examiner—Brian N. Vinson
Attorney, Agent, or Firm—Blakely, Sokoloff, Taylor & Zafman

[57] **CLAIM**

The ornamental design for a remote control unit, as shown.

DESCRIPTION

FIG. 1 is a top perspective view of a remote control unit; FIG. 2 is a bottom perspective view of the remote control unit shown in FIG. 1; FIG. 3 is a front elevational view of the remote control unit shown in FIG. 1; FIG. 4 is a left side elevational view of the remote control unit shown in FIG. 1; FIG. 5 is a top plan view of the remote control unit shown in FIG. 1; FIG. 6 is a right side elevational view of the remote control unit shown in FIG. 1; FIG. 7 is a bottom plan view of the remote control unit shown in FIG. 1; and, FIG. 8 is a rear elevational view of the remote control unit shown in FIG. 1.

1 Claim, 2 Drawing Sheets

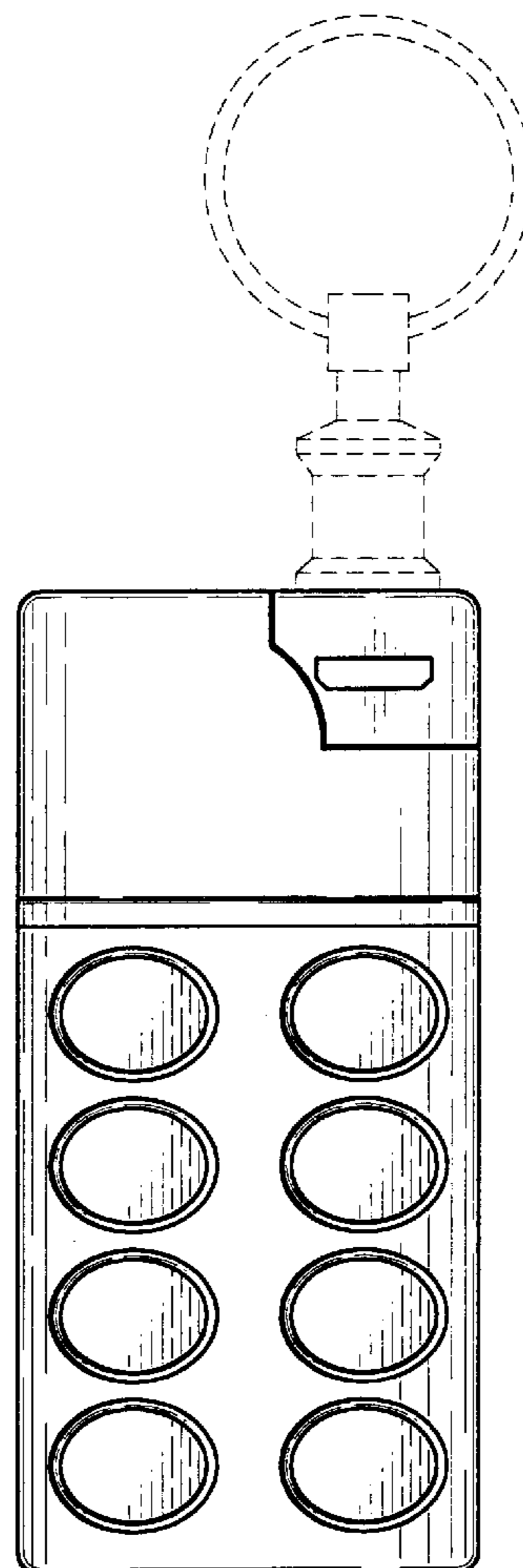
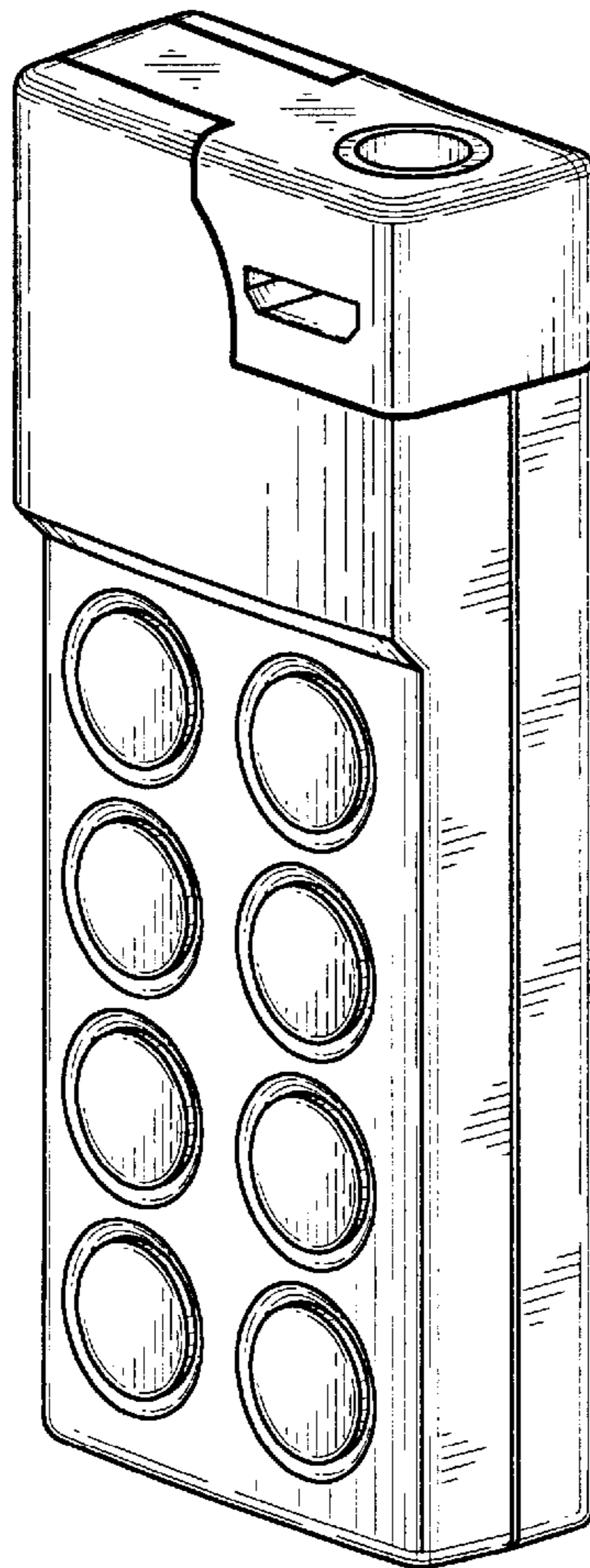


Fig. 1

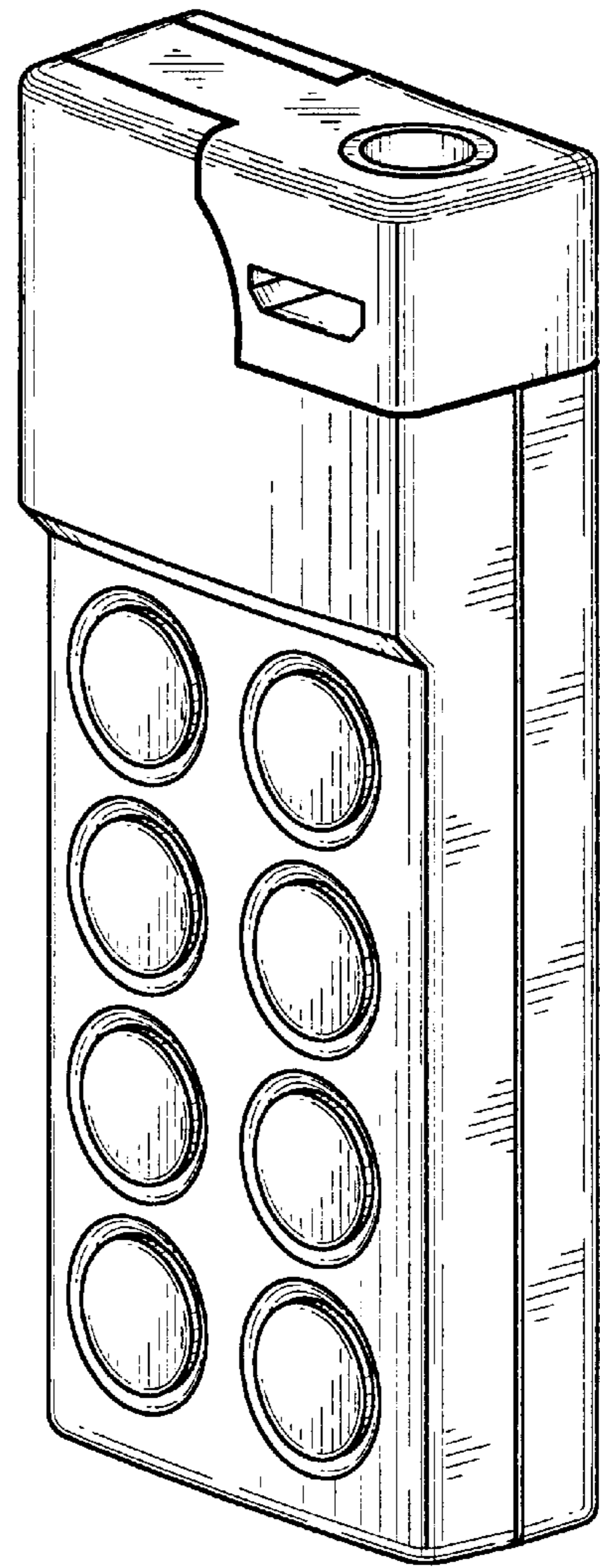


Fig. 2

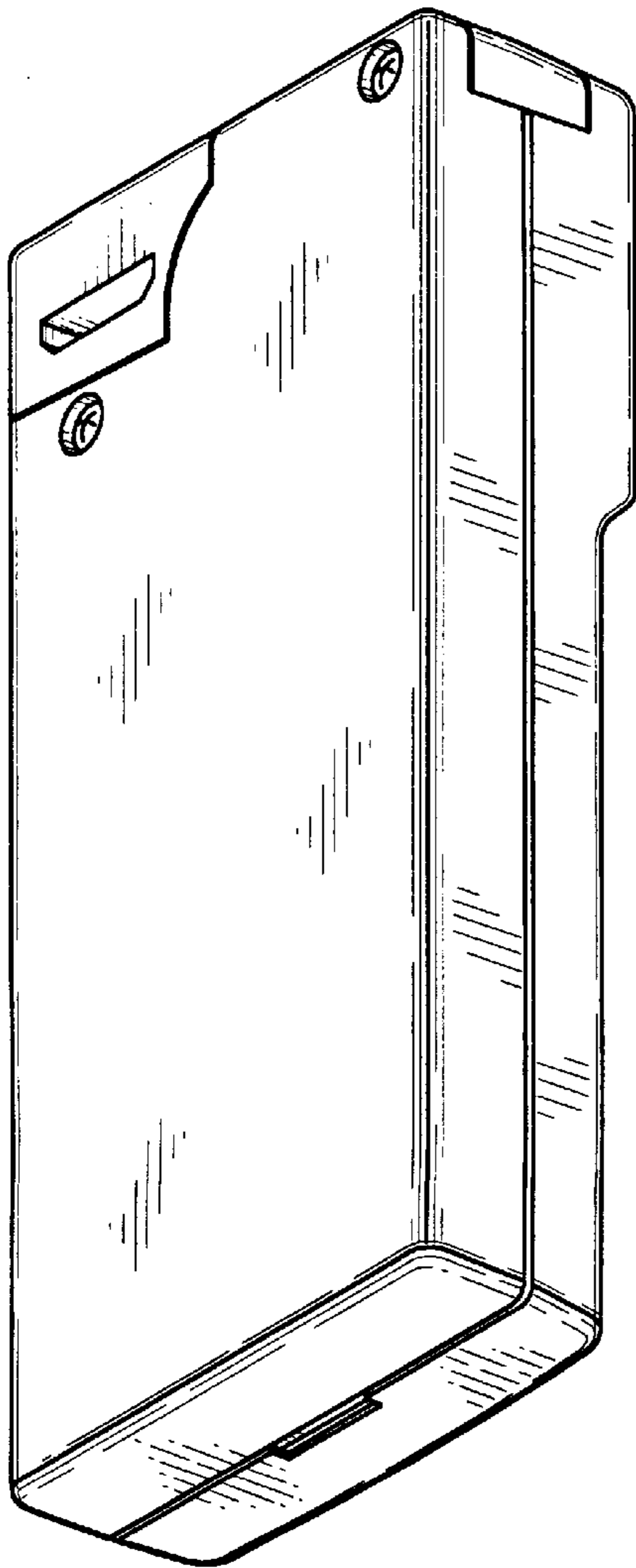


Fig. 3

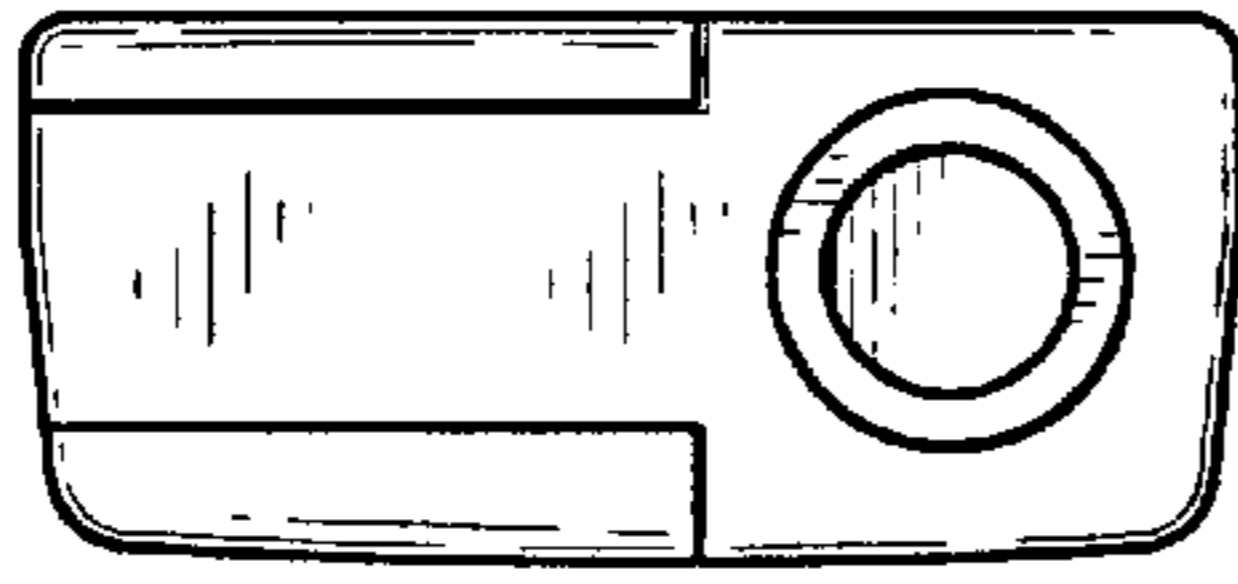


Fig. 4

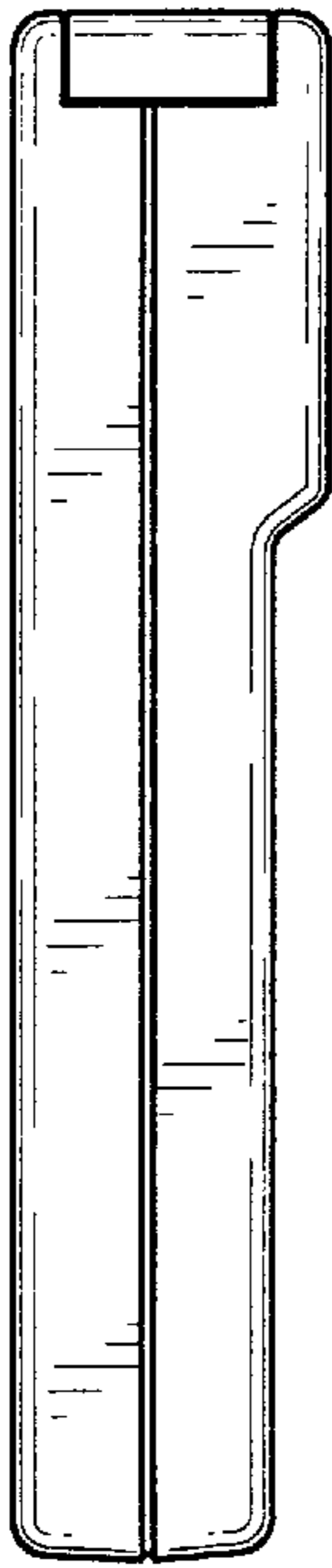


Fig. 5

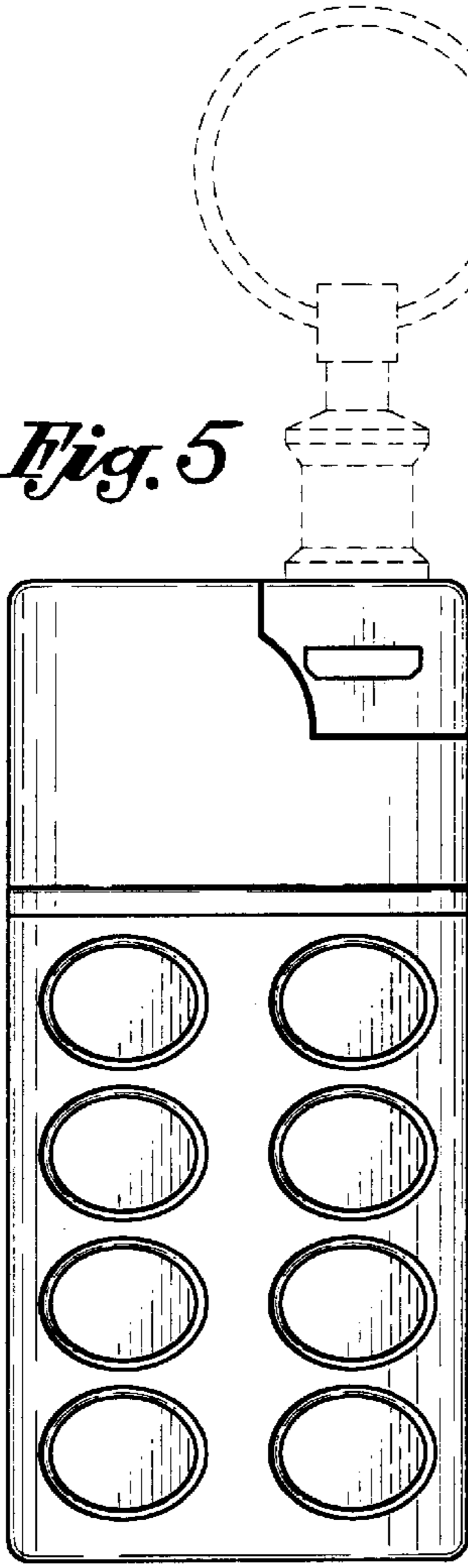


Fig. 6

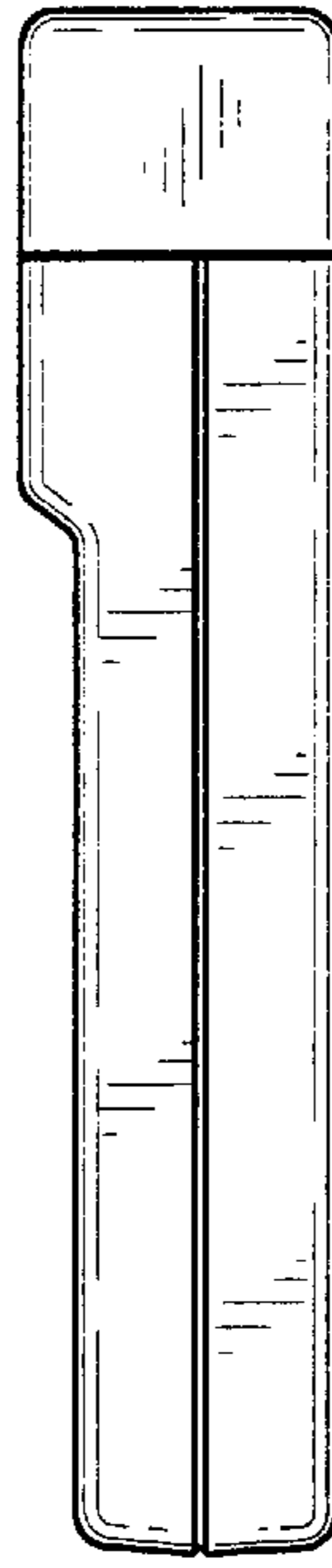


Fig. 7

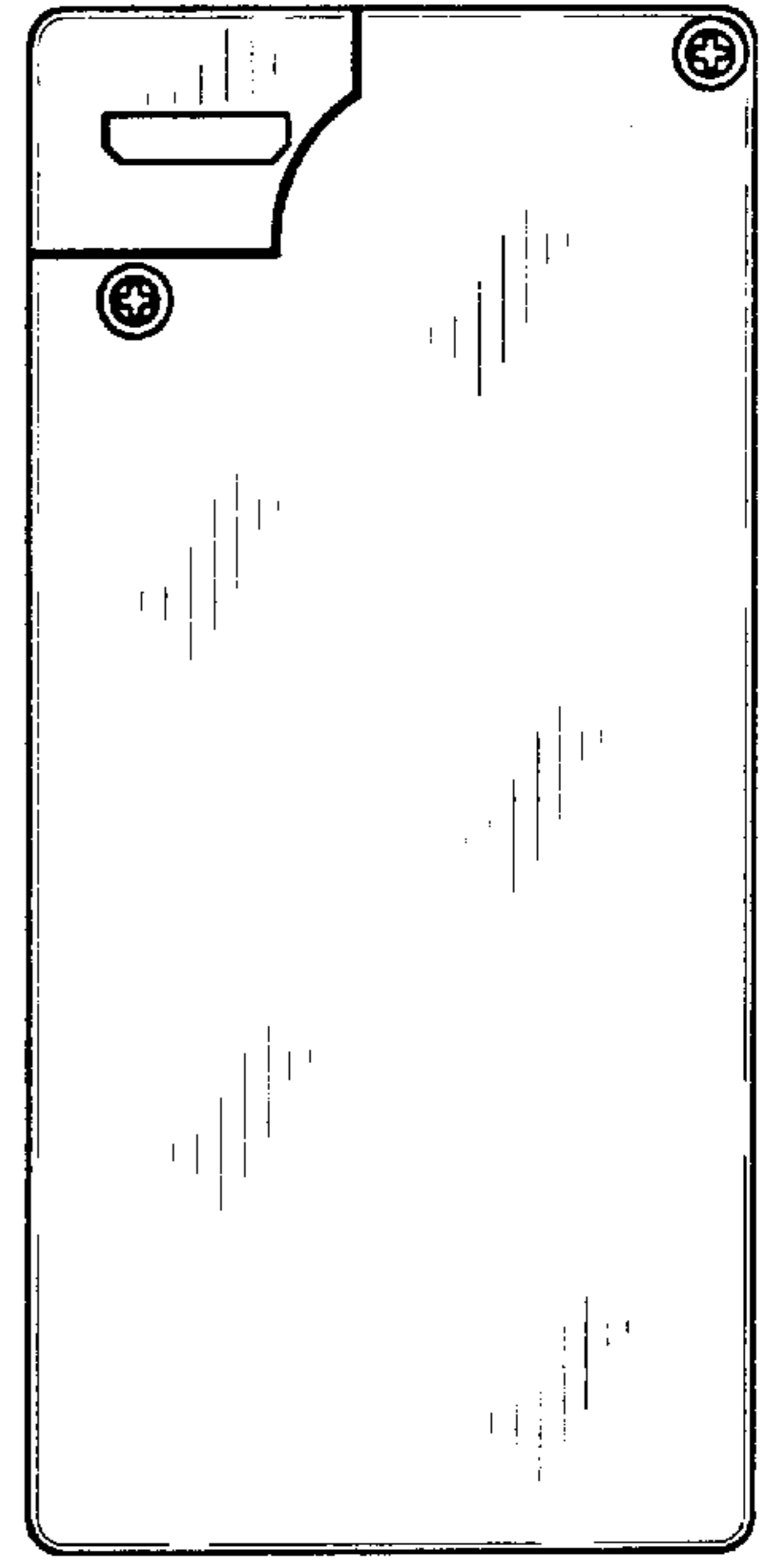


Fig. 8

