



US00D422267S

**United States Patent** [19]  
**Richards**

[11] **Patent Number: Des. 422,267**  
[45] **Date of Patent: \*\* Apr. 4, 2000**

[54] **HOUSING FOR AN ACCESSORY CONNECTOR**  
[75] Inventor: **Scott H. Richards**, Plantation, Fla.  
[73] Assignee: **Motorola, Inc.**, Schaumburg, Ill.  
[\*\*] Term: **14 Years**  
[21] Appl. No.: **29/084,483**  
[22] Filed: **Mar. 5, 1998**  
[51] **LOC (6) Cl. .... 13-03**  
[52] **U.S. Cl. .... D13/154; D13/147**  
[58] **Field of Search .... D13/133, 146, D13/147, 154; 439/358**

D. 379,968 6/1997 Tan et al. .... D13/147  
D. 384,330 9/1997 Ichikawa .... D13/147  
5,749,746 5/1998 Tan et al. .... 439/358 X

*Primary Examiner*—Joel Sincavage  
*Attorney, Agent, or Firm*—M. Mansour Ghomeshi

[57] **CLAIM**

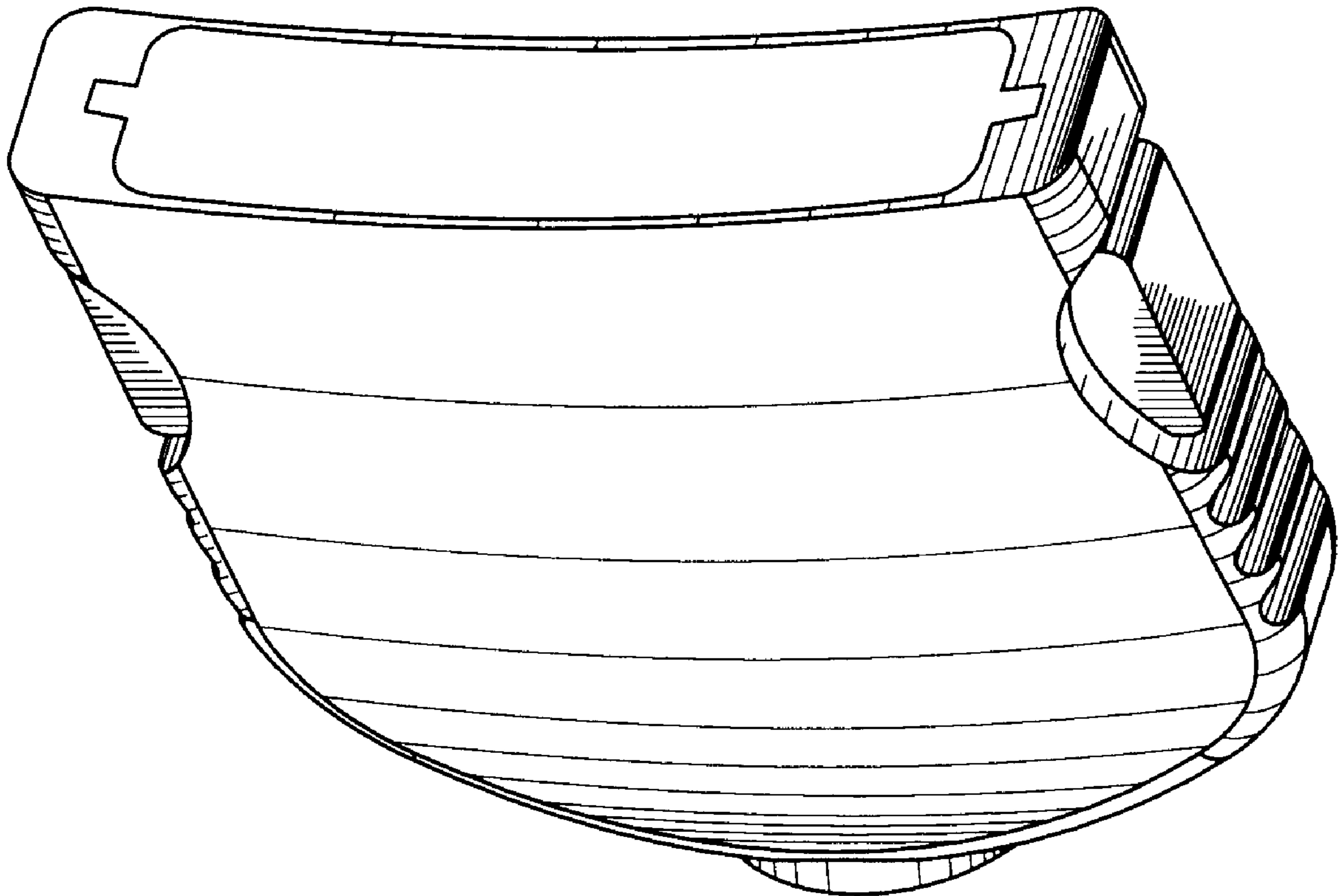
The ornamental design for, a housing for an accessory connector, as shown and described.

**DESCRIPTION**

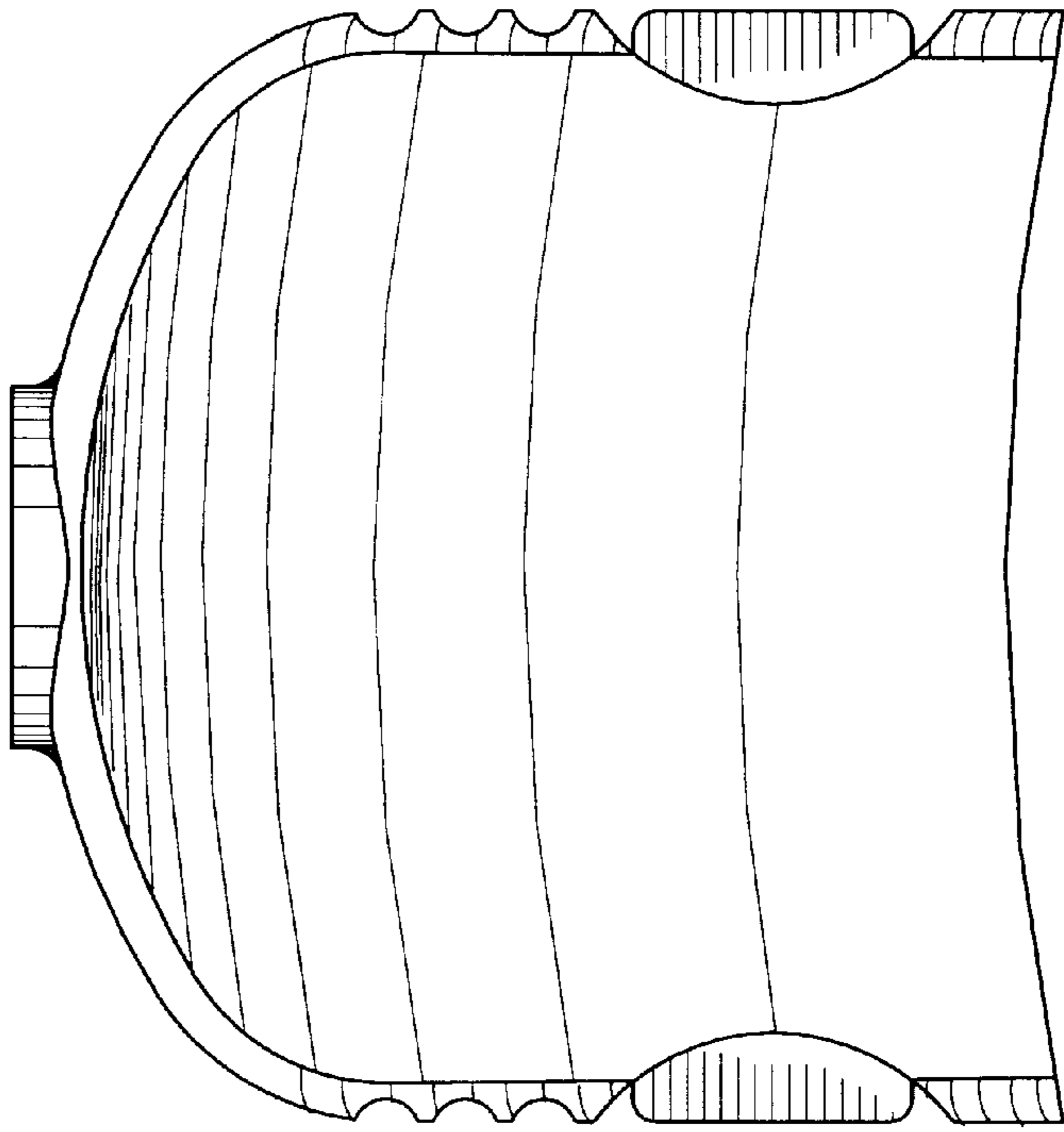
FIG. 1 is a top plan view of a housing for a housing for an accessory connector;  
FIG. 2 is a bottom plan view thereof;  
FIG. 3 is a left side elevational view thereof;  
FIG. 4 is a right side elevational view thereof;  
FIG. 5 is a front elevational view thereof;  
FIG. 6 is a back elevational view thereof; and,  
FIG. 7 is a front, bottom, right, isometric view thereof.

[56] **References Cited**  
**U.S. PATENT DOCUMENTS**  
D. 267,088 11/1982 Dahlberg .... D13/133  
D. 366,242 1/1996 Goto .... D13/147  
D. 376,581 12/1996 Suzuki .... D13/147

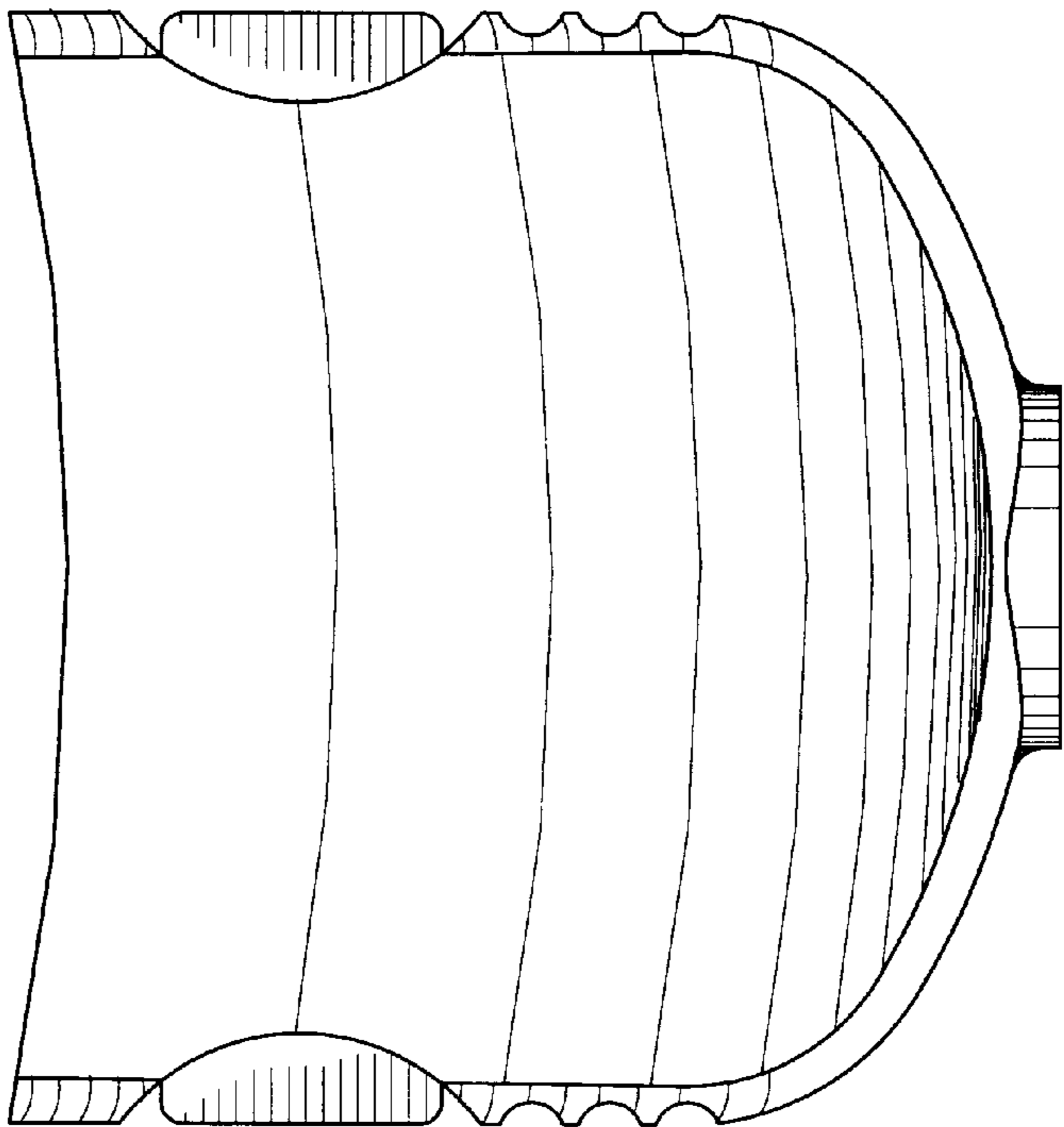
**1 Claim, 4 Drawing Sheets**



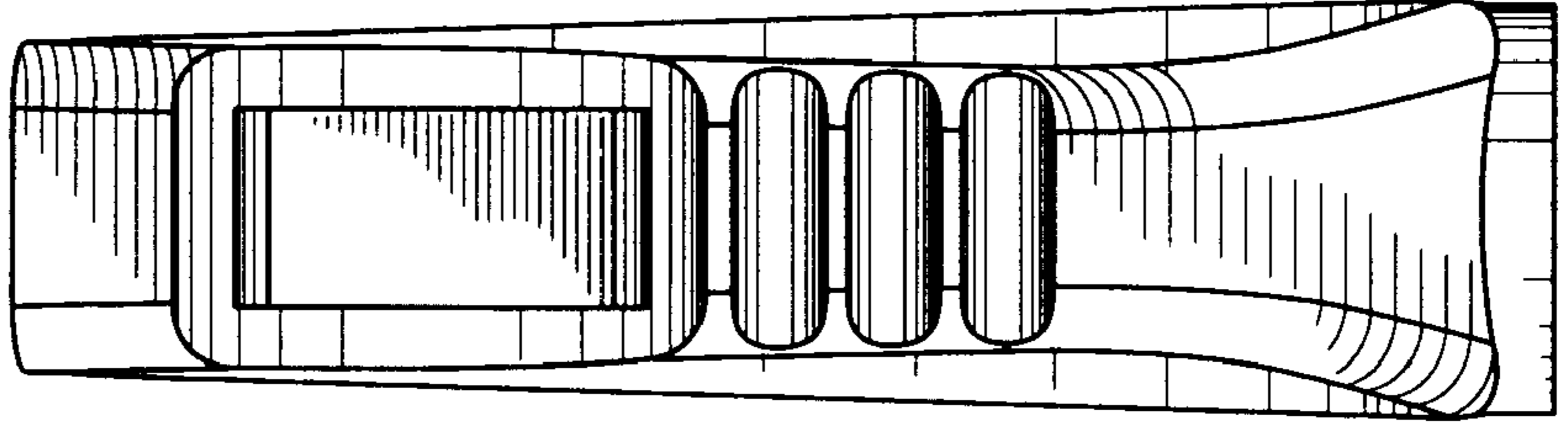
*FIG. 2*



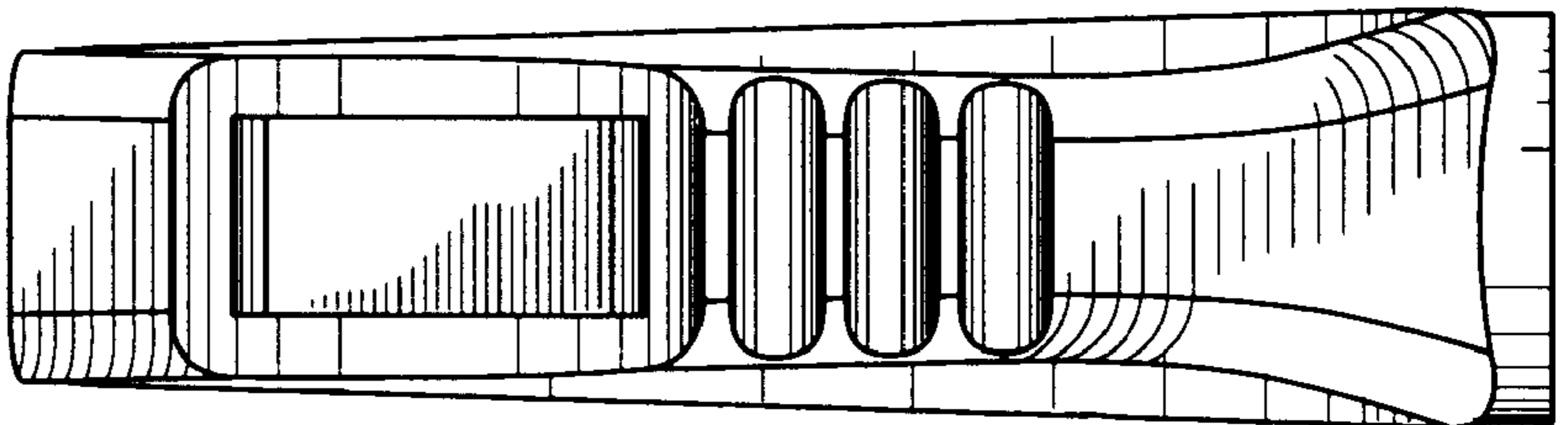
*FIG. 1*



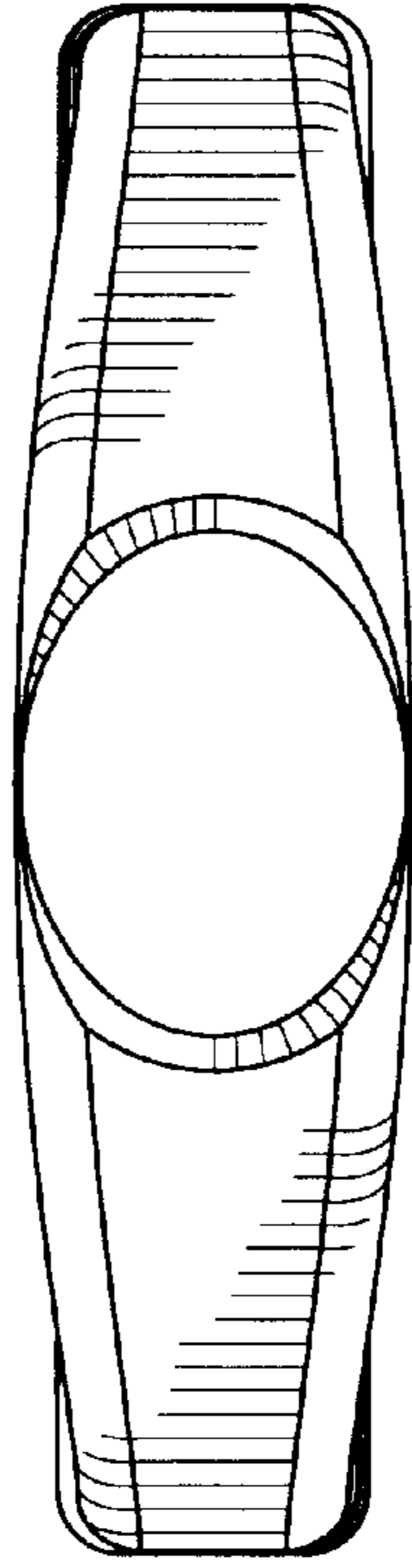
*FIG. 4*



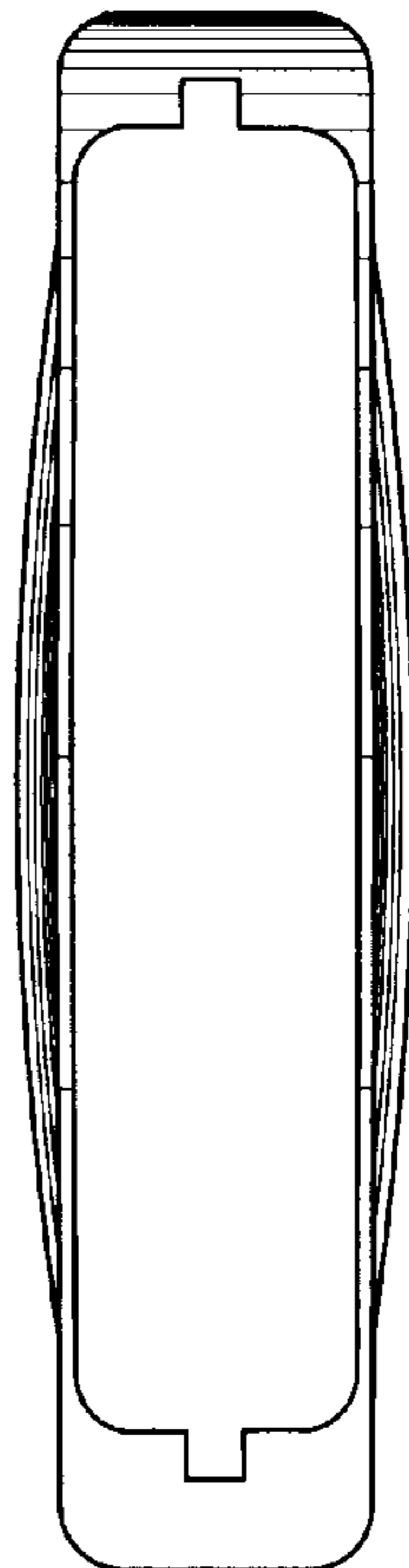
*FIG. 3*



*FIG. 6*



*FIG. 5*



*FIG. 7*

