



US00D422266S

United States Patent [19] Roesch

[11] Patent Number: Des. 422,266

[45] Date of Patent: ** Apr. 4, 2000

[54] ELECTRICAL BOX

[75] Inventor: Mark A. Roesch, Brecksville, Ohio

[73] Assignee: The Lamson & Sessions Co.,
Cleveland, Ohio

[**] Term: 14 Years

[21] Appl. No.: 29/107,719

[22] Filed: Jul. 13, 1999

[51] LOC (6) Cl. 13-03

[52] U.S. Cl. D13/152

[58] Field of Search D13/152; 174/53,
174/58, 63; 220/3.2, 3.3, 3.5, 3.9

[56] References Cited

U.S. PATENT DOCUMENTS

D. 390,200	2/1998	Spano	D13/184
3,358,866	12/1967	Kinney	220/3.9
3,740,451	6/1973	Schindler et al.	174/58
3,876,821	4/1975	Pringle	174/53
4,348,547	9/1982	Bowden, Jr.	220/3.2 X
4,757,158	7/1988	Lentz	174/53
5,834,692	11/1998	Lentz	174/57

OTHER PUBLICATIONS

Electrical box on p. 23 of New Equipment Digest Apr. 1993.

Primary Examiner—Joel Sincavage

Attorney, Agent, or Firm—Jones, Day, Reavis & Pogue

[57] CLAIM

I claim the ornamental design for an electrical box, as shown and described.

DESCRIPTION

FIG. 1 is an oblique view of an electrical box embodying the subject invention. The dotted lines are included to illustrate a two-gang version of the box and dotted-line showing forms no part of the claimed design;

FIG. 2 is a back view thereof;

FIG. 3 is a side view thereof;

FIG. 4 is a bottom view thereof;

FIG. 5 is a front view thereof;

FIG. 6 is a top view thereof;

FIG. 7 is a side view thereof;

FIG. 8 is an oblique view thereof. The dotted lines are included to illustrate a three-gang version of the box and dotted-line showing forms no part of the claimed design;

FIG. 9 is an oblique view thereof. The dotted lines are included to illustrate a four-gang version of the box and dotted-line showing forms no part of the claimed design;

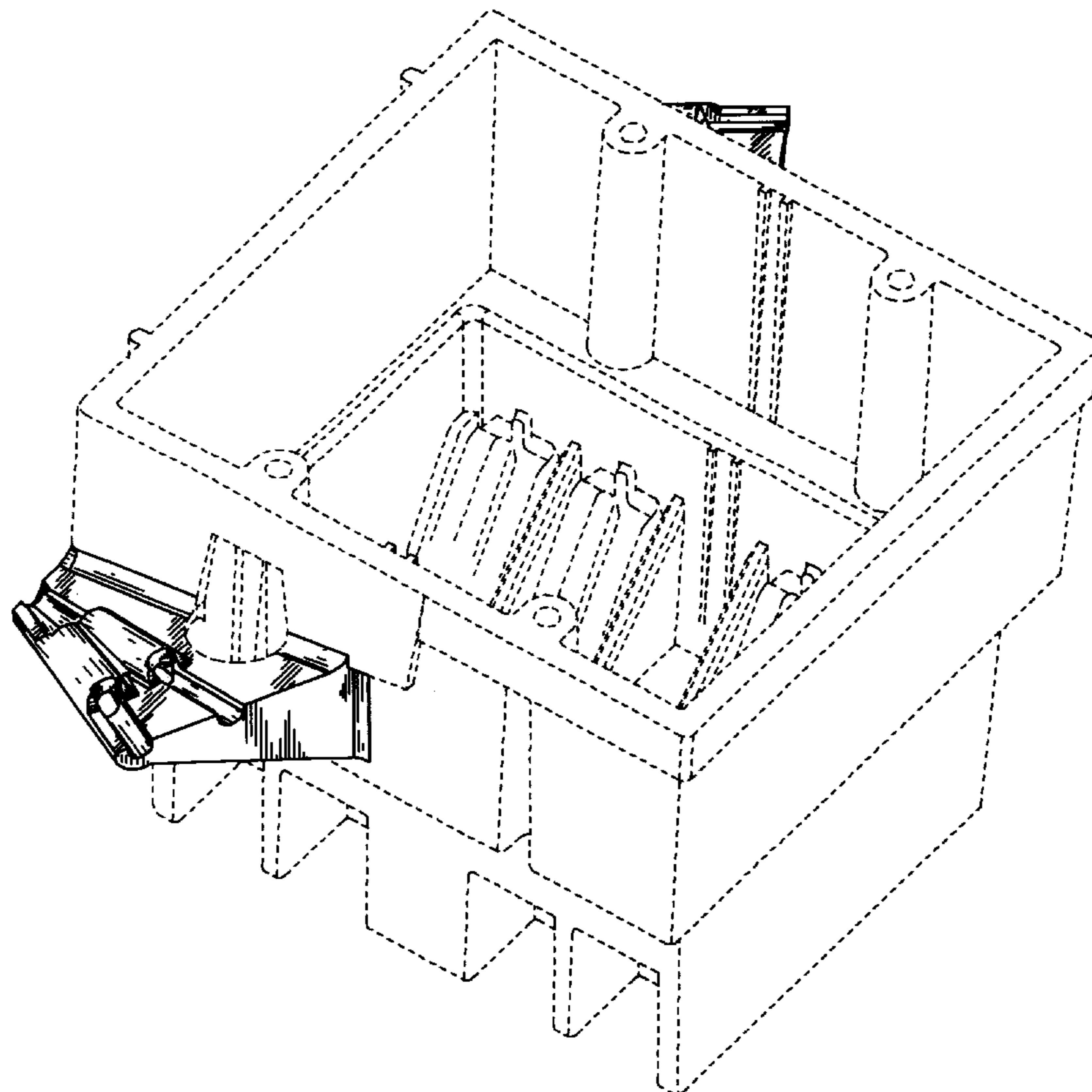
FIG. 10 is an oblique view of an electrical box showing a second embodiment of the subject invention. The dotted lines are included to illustrate a ceiling version of the box and dotted-line showing forms no part of the claimed design;

FIG. 11 is a bottom view thereof; and,

FIG. 12 is a back view thereof.

Where the dotted lines intrude upon surfaces illustrated in solid lines, the dotted lines form the boundary of the claimed design but form no part thereof.

1 Claim, 7 Drawing Sheets



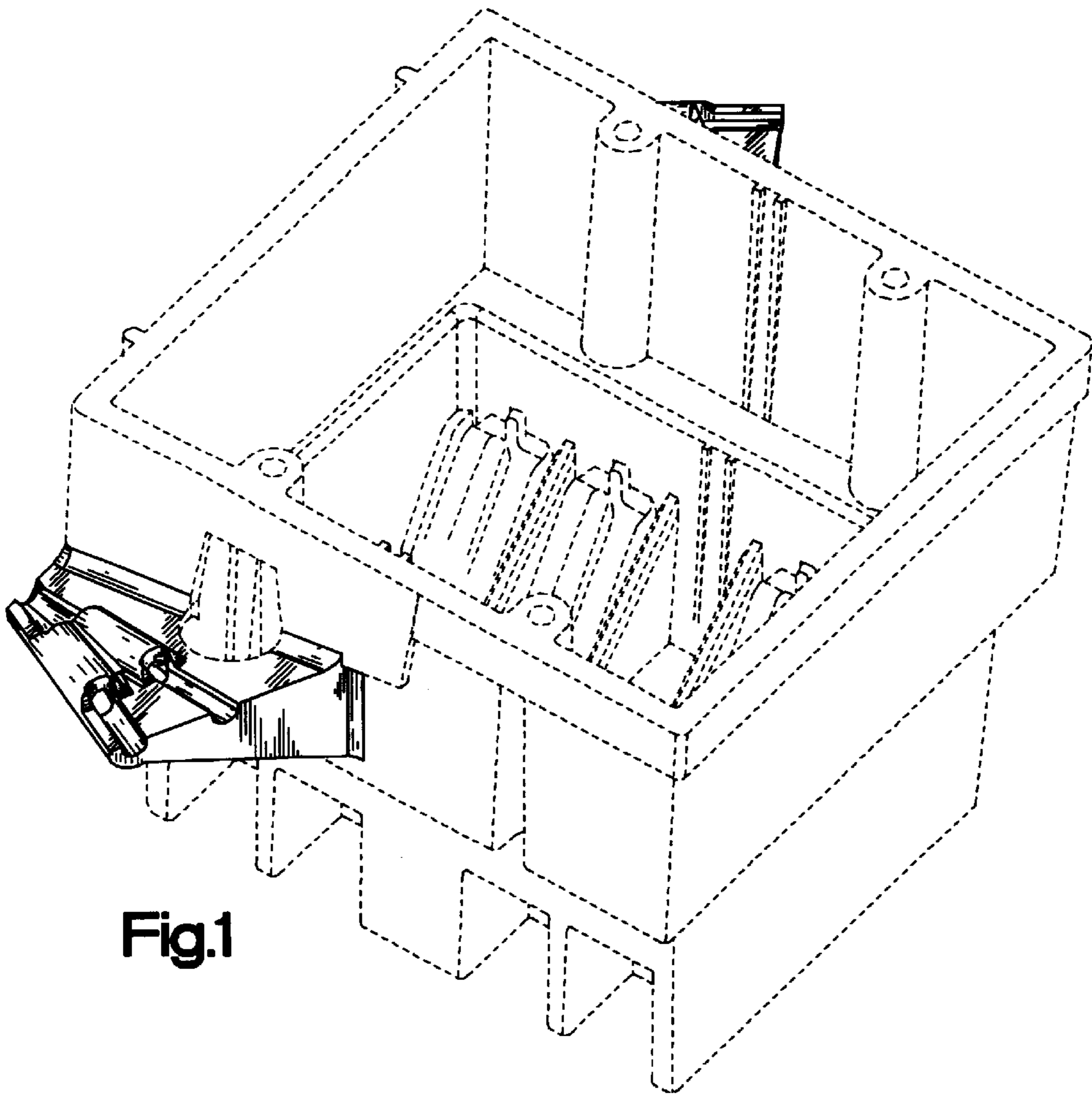


Fig.1

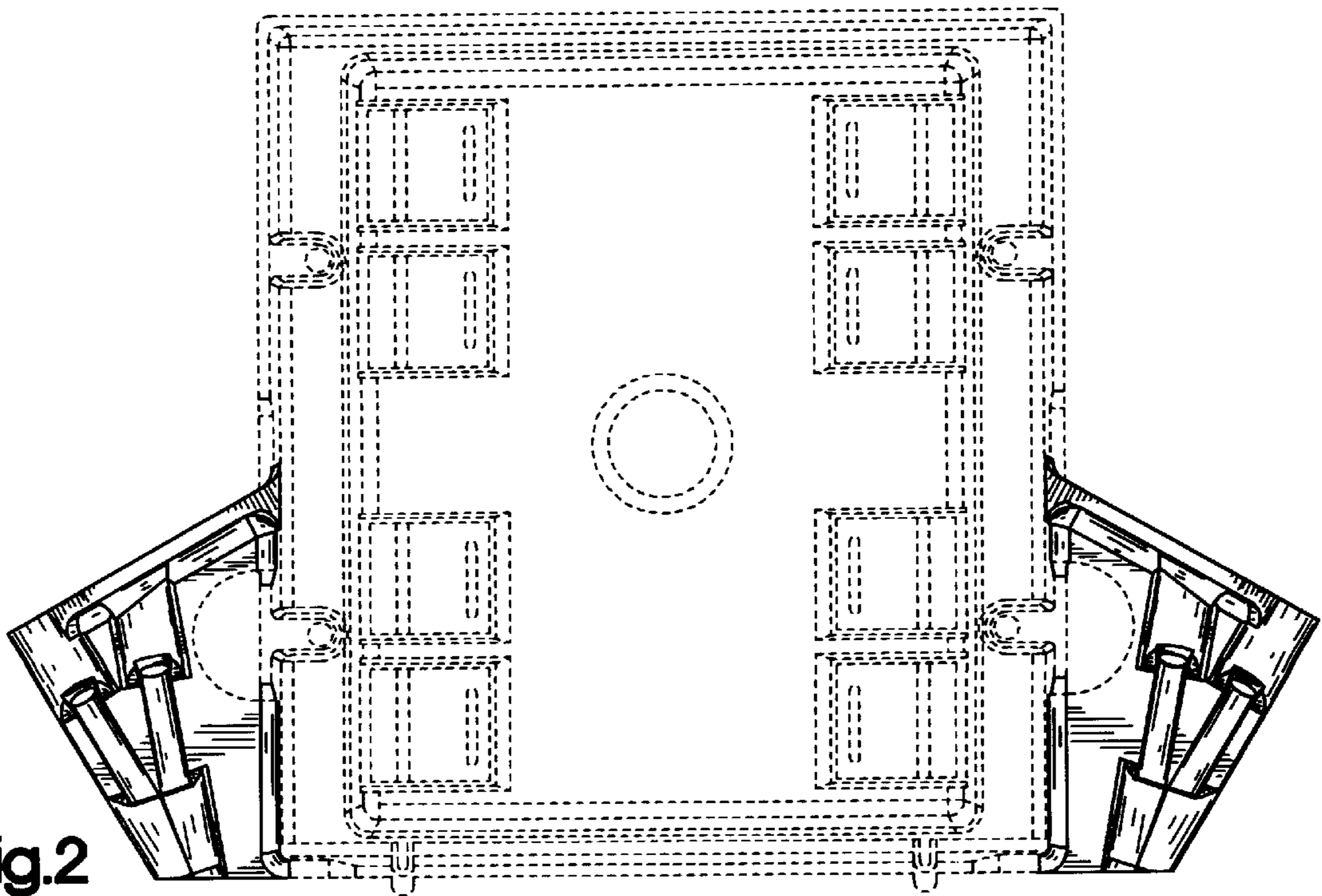


Fig.2

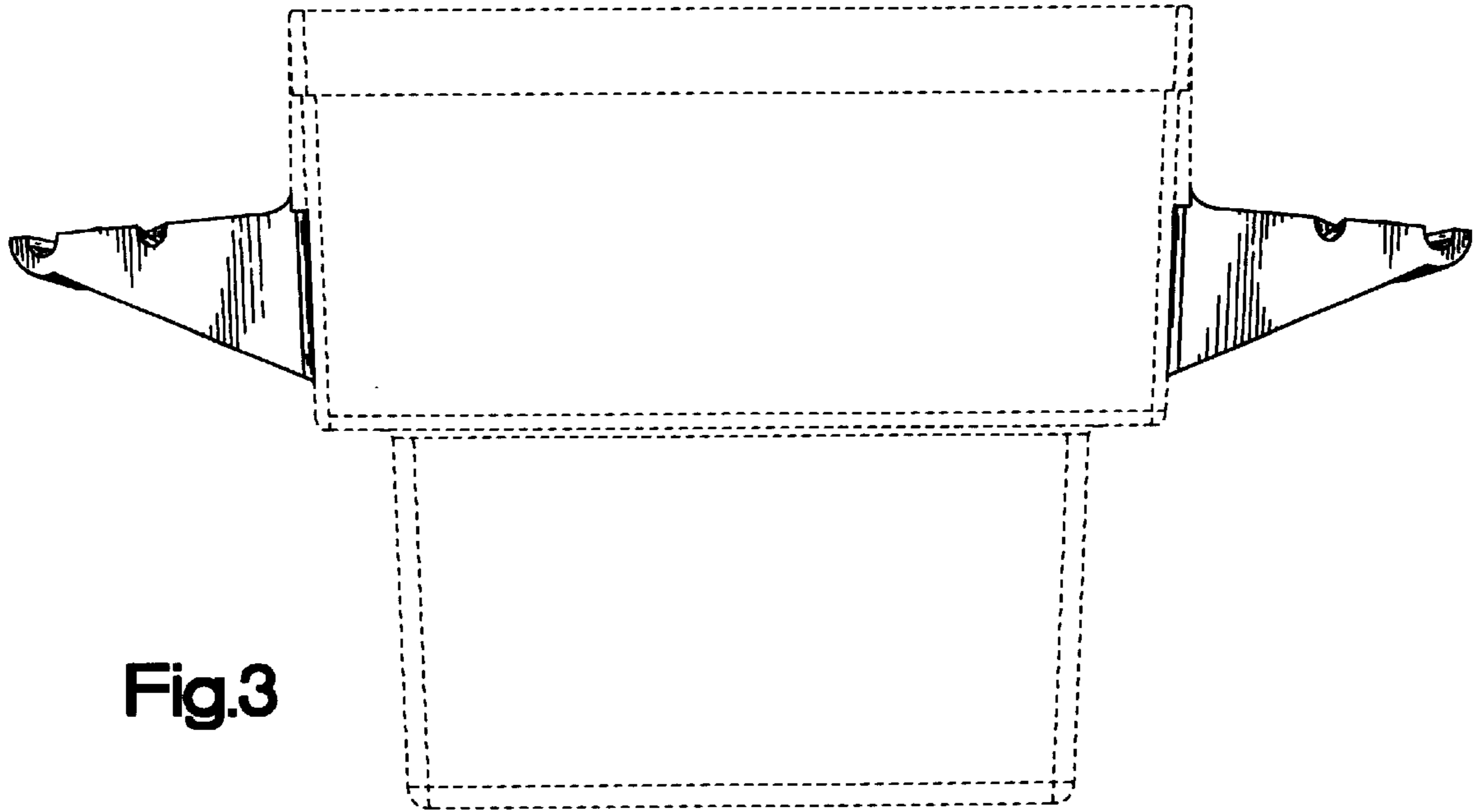


Fig.3

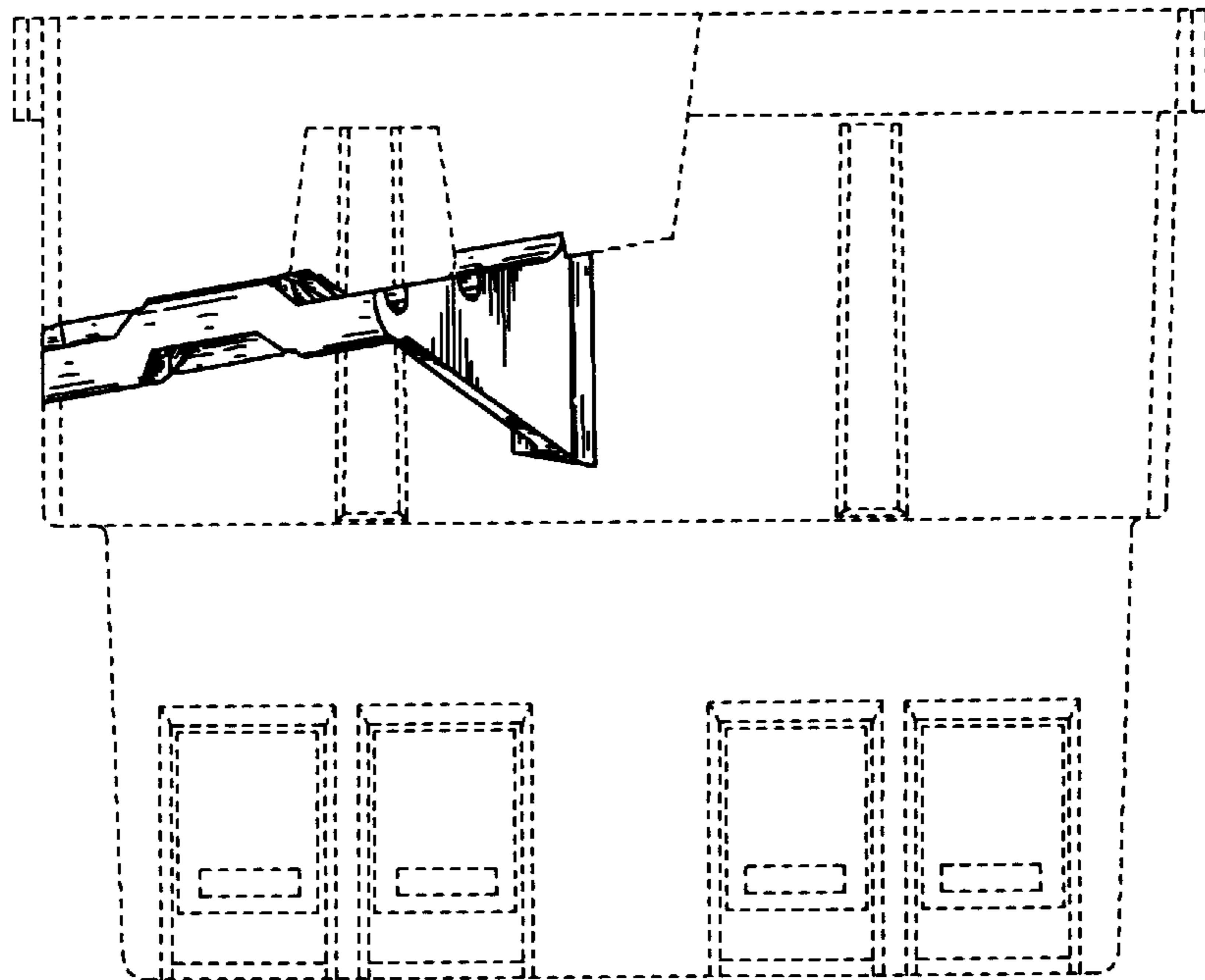


Fig.4

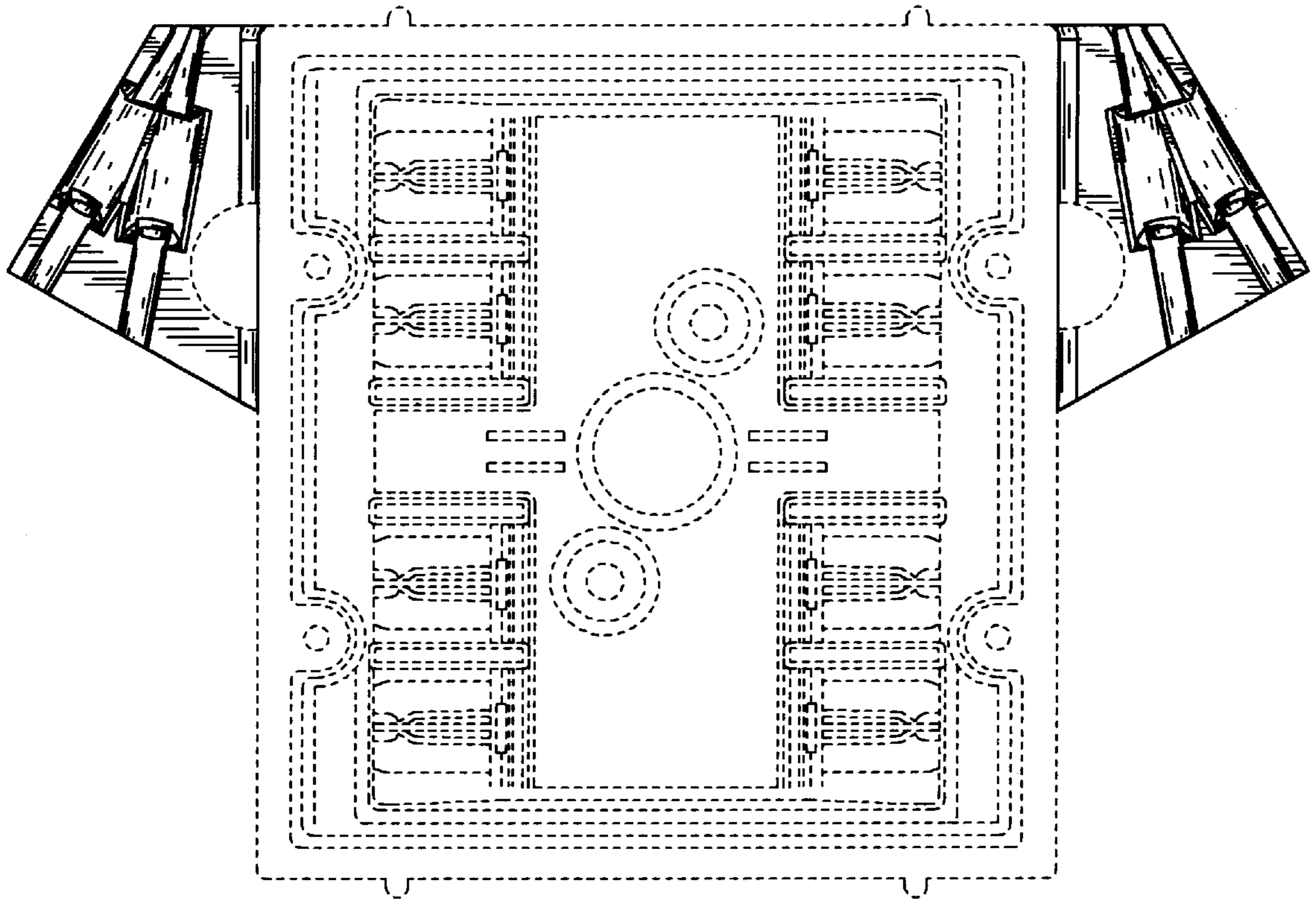


Fig.5

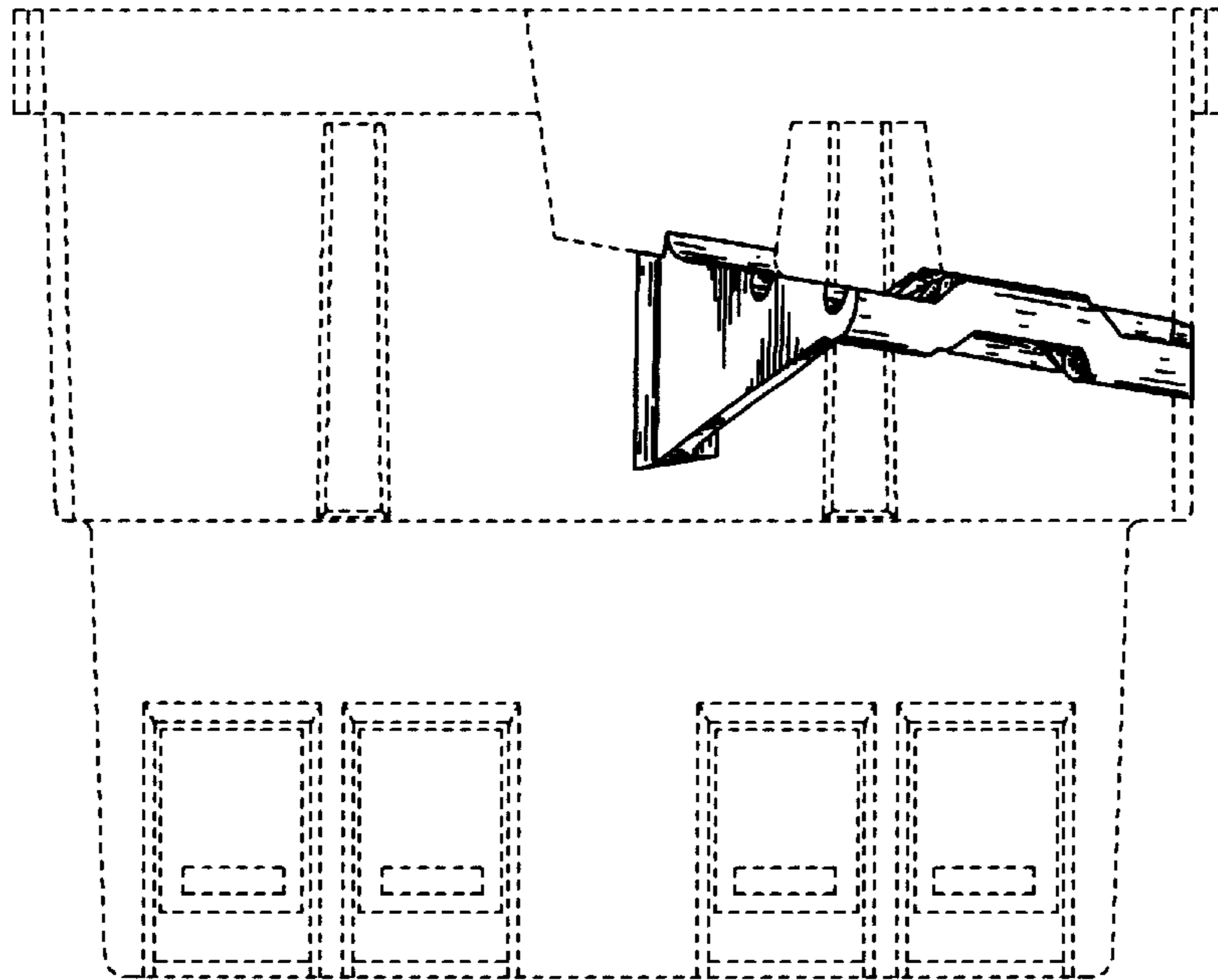


Fig.6

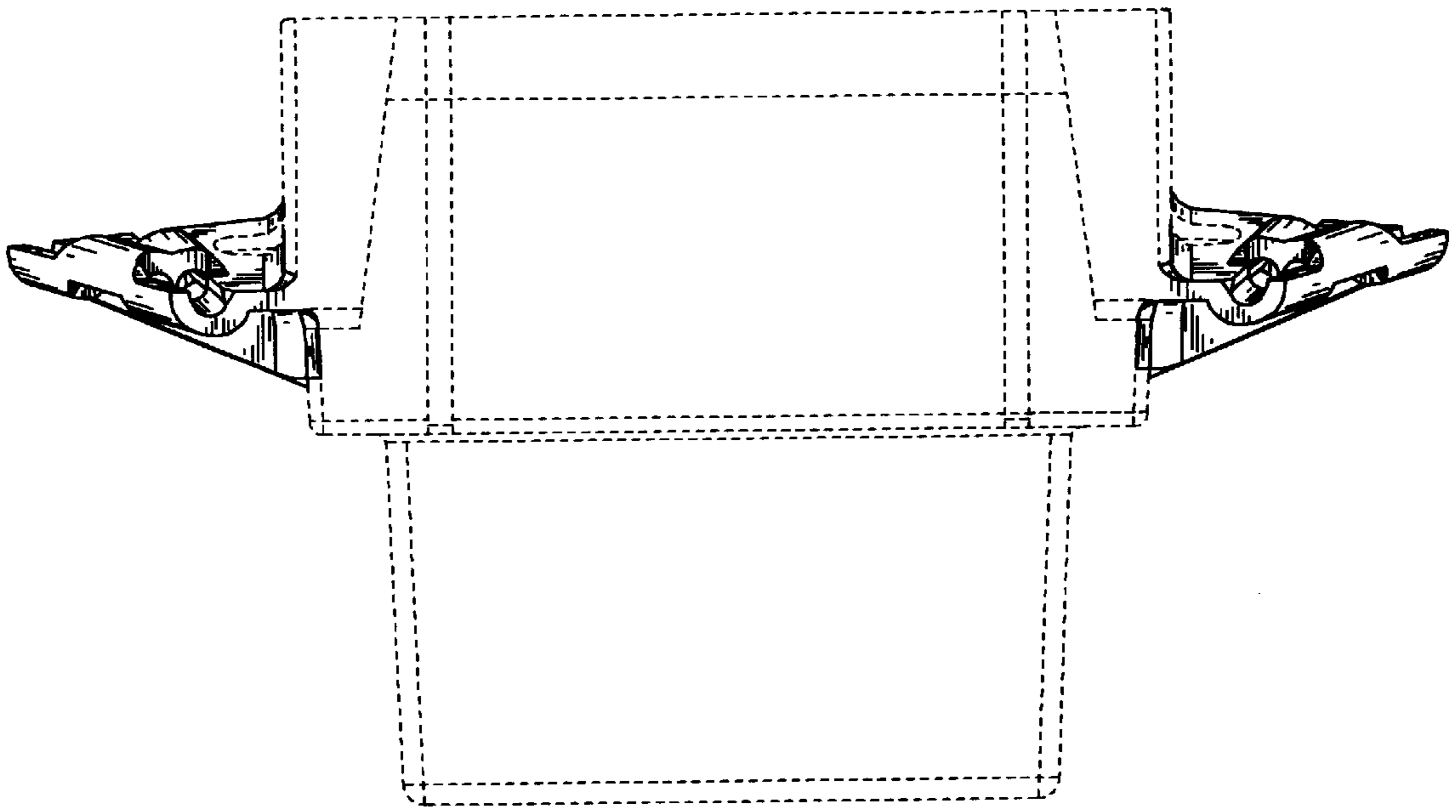


Fig.7

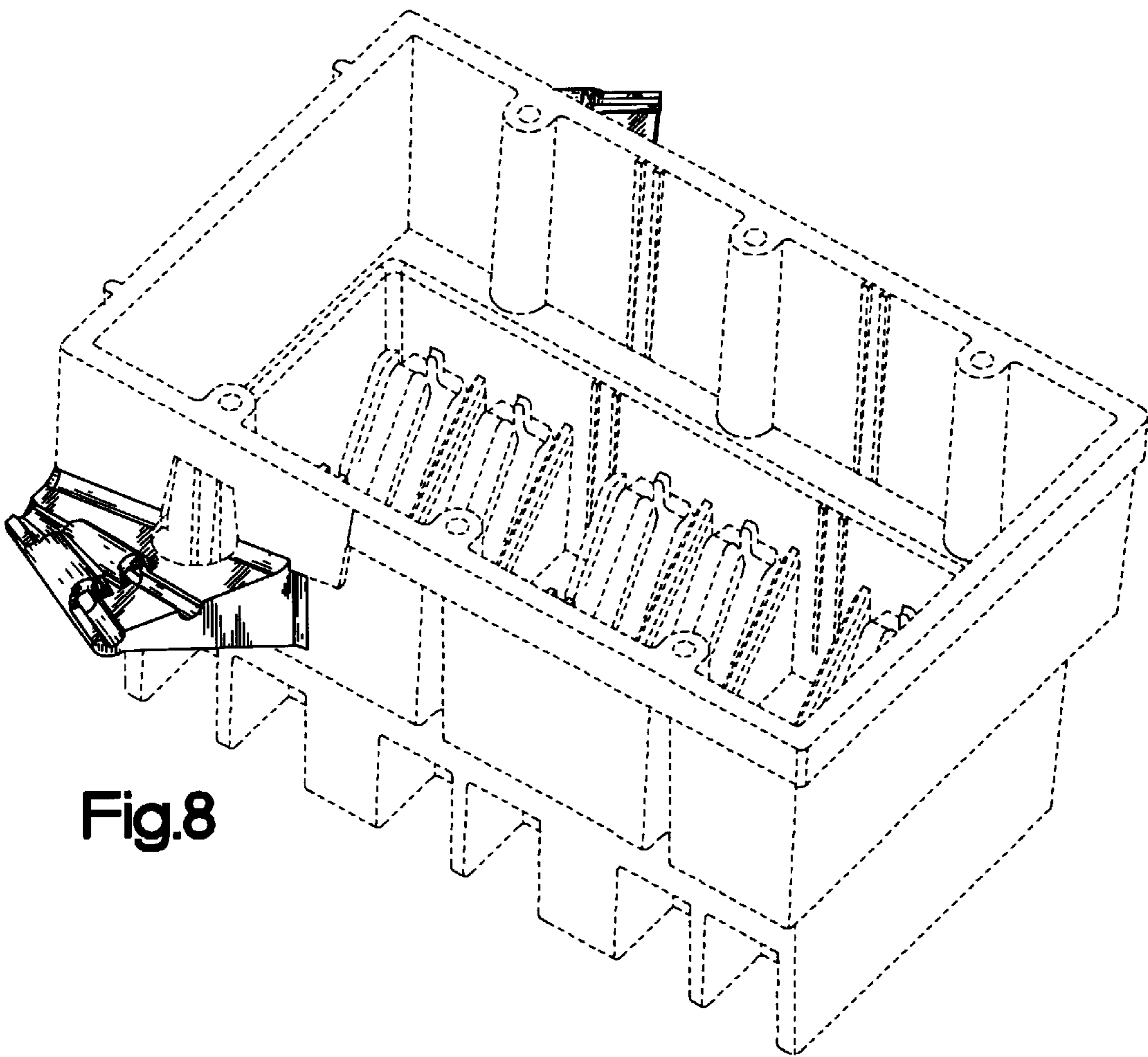


Fig.8

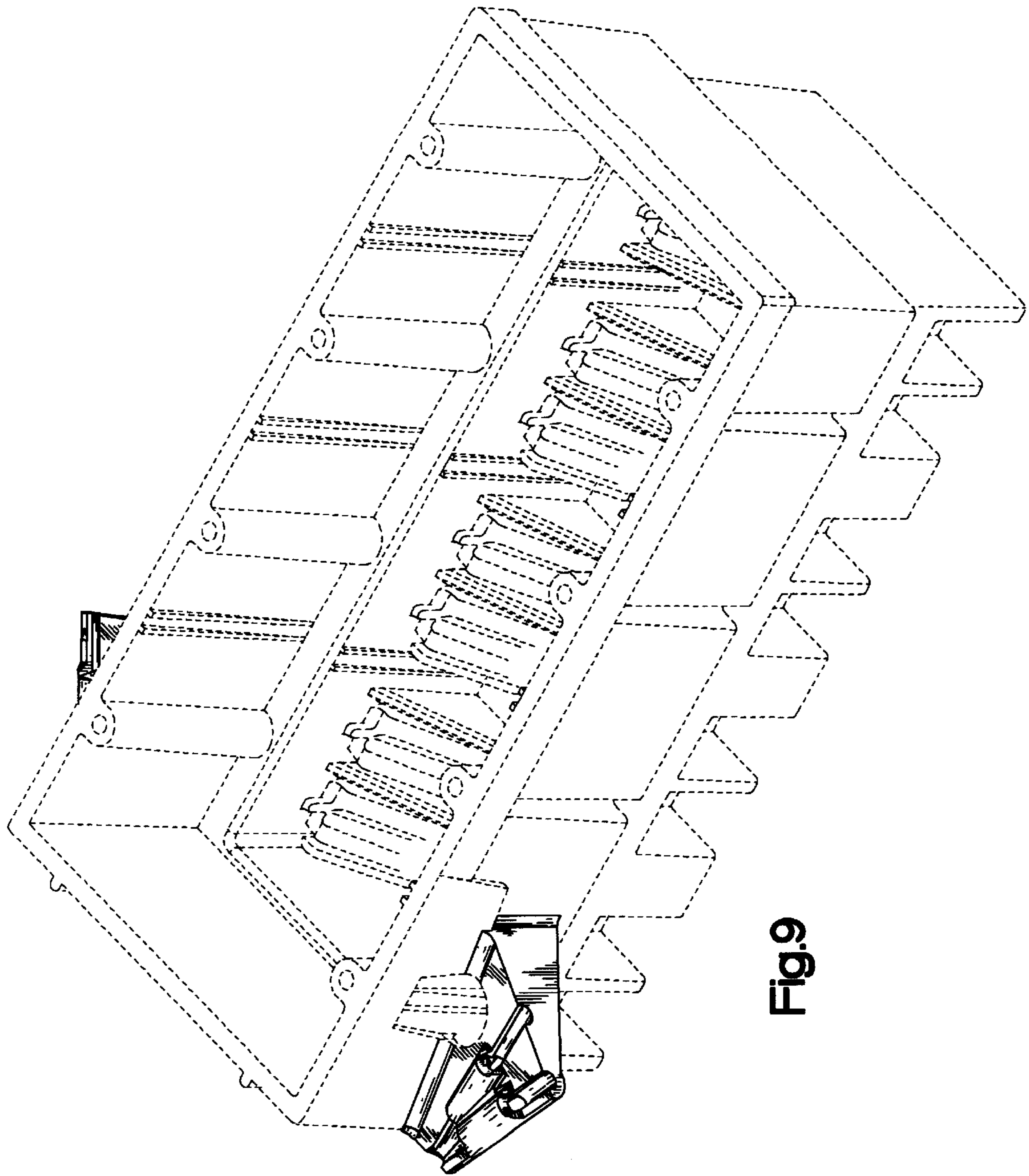


Fig.9

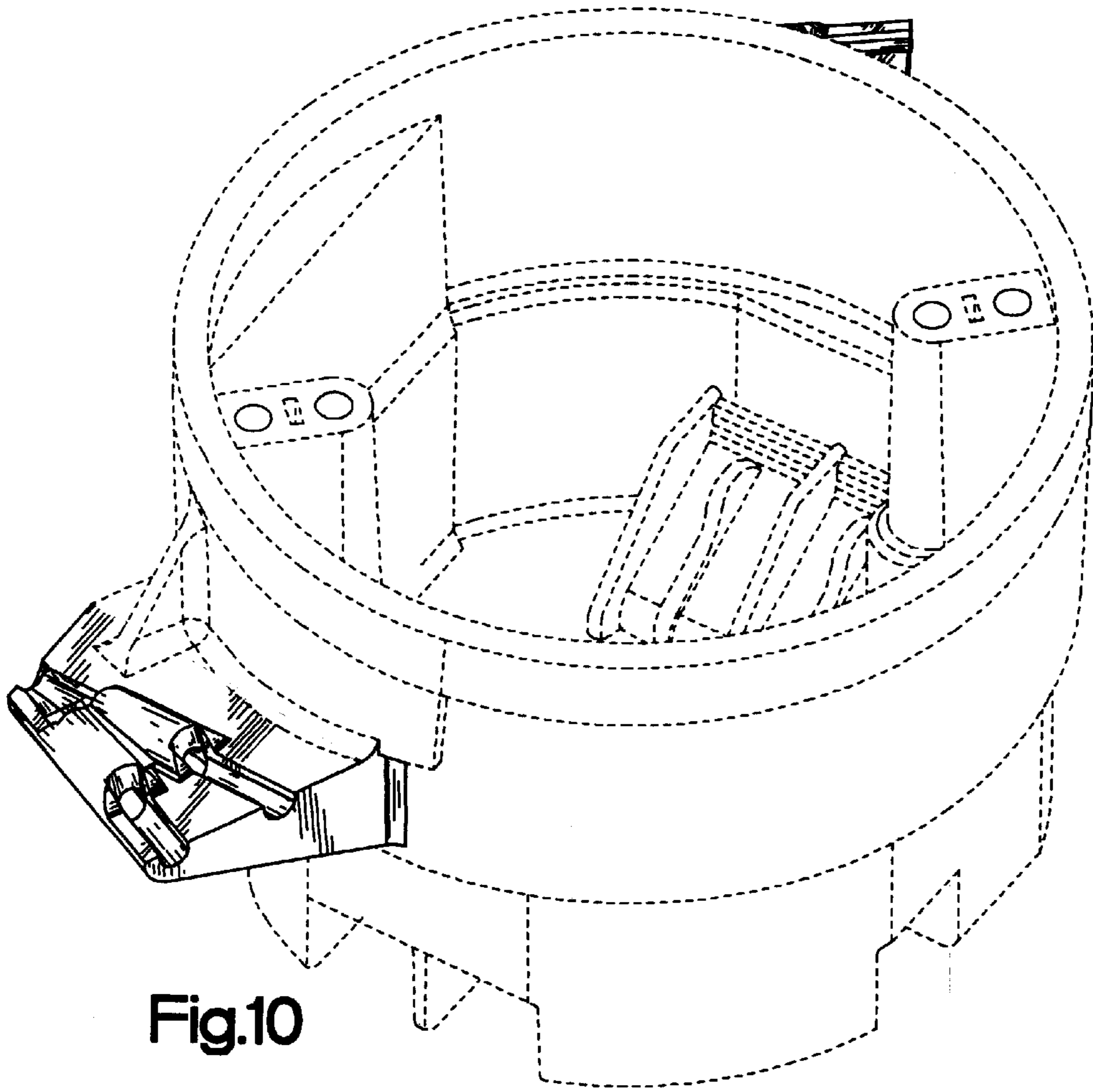


Fig.10

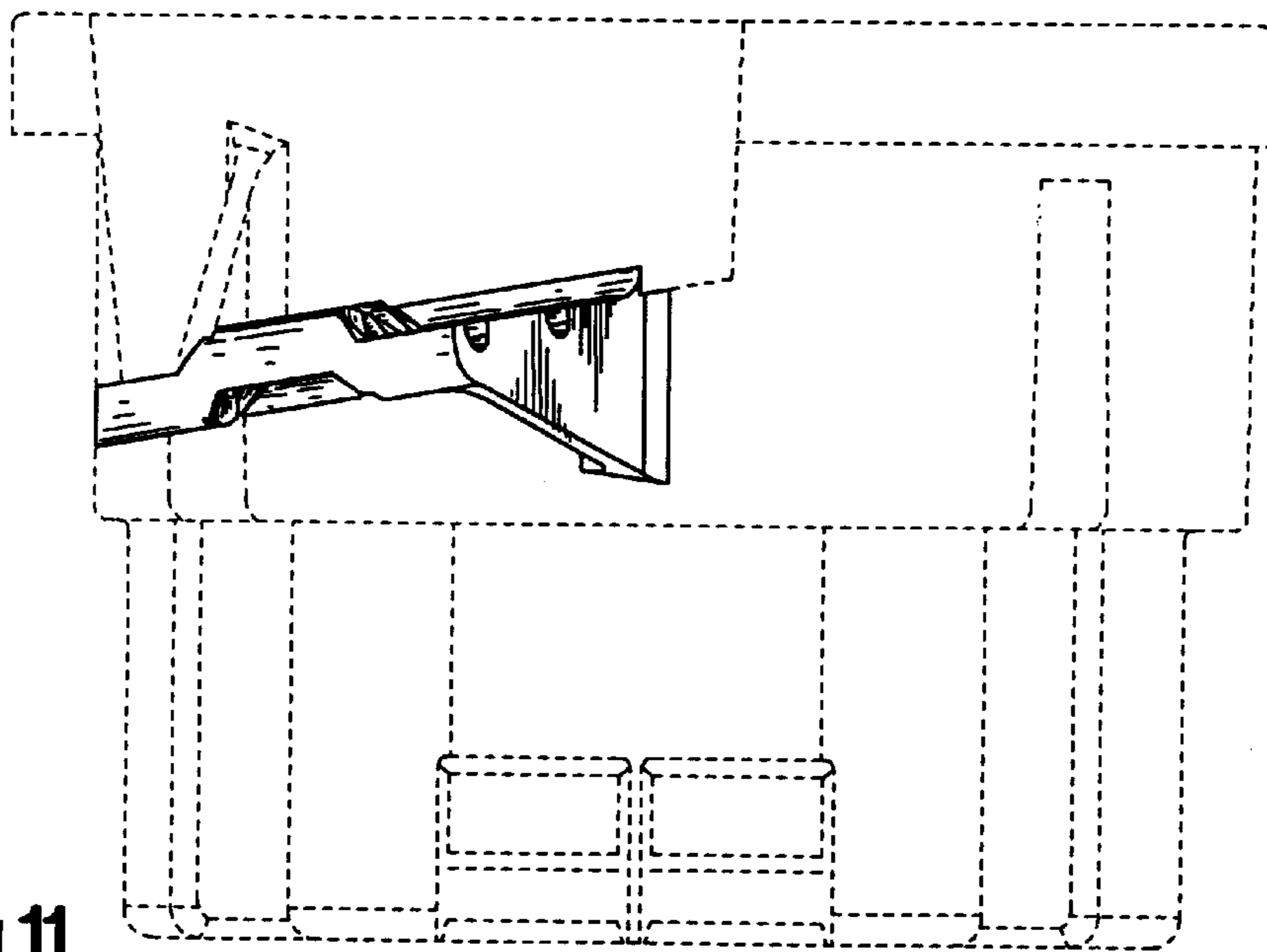


Fig.11

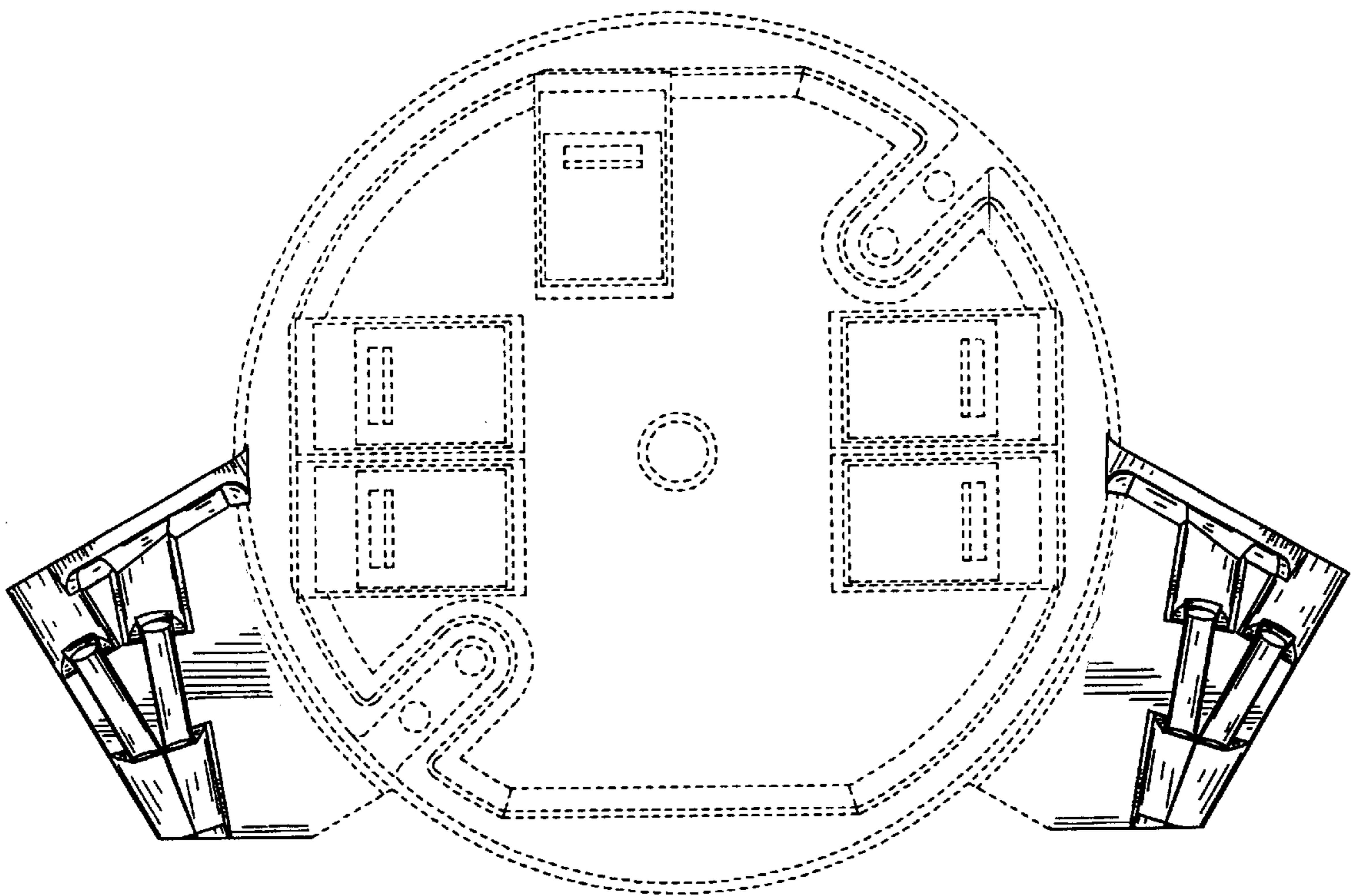


Fig.12