



US00D422265S

# United States Patent [19]

Noble et al.

[11] Patent Number: **Des. 422,265**

[45] Date of Patent: **\*\* Apr. 4, 2000**

[54] **FIBER OPTIC CABLE WALL MOUNT HOUSING**

[75] Inventors: **Jennifer D. Noble**, Fort Worth; **Carrie Lynn Gordon**, Saginaw, both of Tex.

[73] Assignee: **Siecor Operations, LLC**, Hickory, N.C.

[\*\*] Term: **14 Years**

[21] Appl. No.: **29/105,370**

[22] Filed: **May 24, 1999**

D. 264,583	5/1982	Kessler .....	D13/184
D. 324,207	2/1992	Nieves .....	D13/184
D. 375,082	10/1996	Messelhi .....	D13/152
D. 400,512	11/1998	Korhonen .....	D13/184
5,109,467	4/1992	Hogan et al. ....	385/135
5,247,603	9/1993	Vidacovich et al. ....	385/135

*Primary Examiner*—Joel Sincavage  
*Attorney, Agent, or Firm*—Michael L. Leetzow

### Related U.S. Application Data

[63] Continuation-in-part of application No. 09/222,584, Dec. 28, 1998.

[51] **LOC (6) Cl.** ..... **13-03**

[52] **U.S. Cl.** ..... **D13/152**

[58] **Field of Search** ..... D13/152, 184;  
D14/240; 319/325–330, 383, 399; 174/65 R,  
48; 385/134, 135

### [57] CLAIM

The ornamental design for a fiber optic cable wall mount housing, as shown and described.

### DESCRIPTION

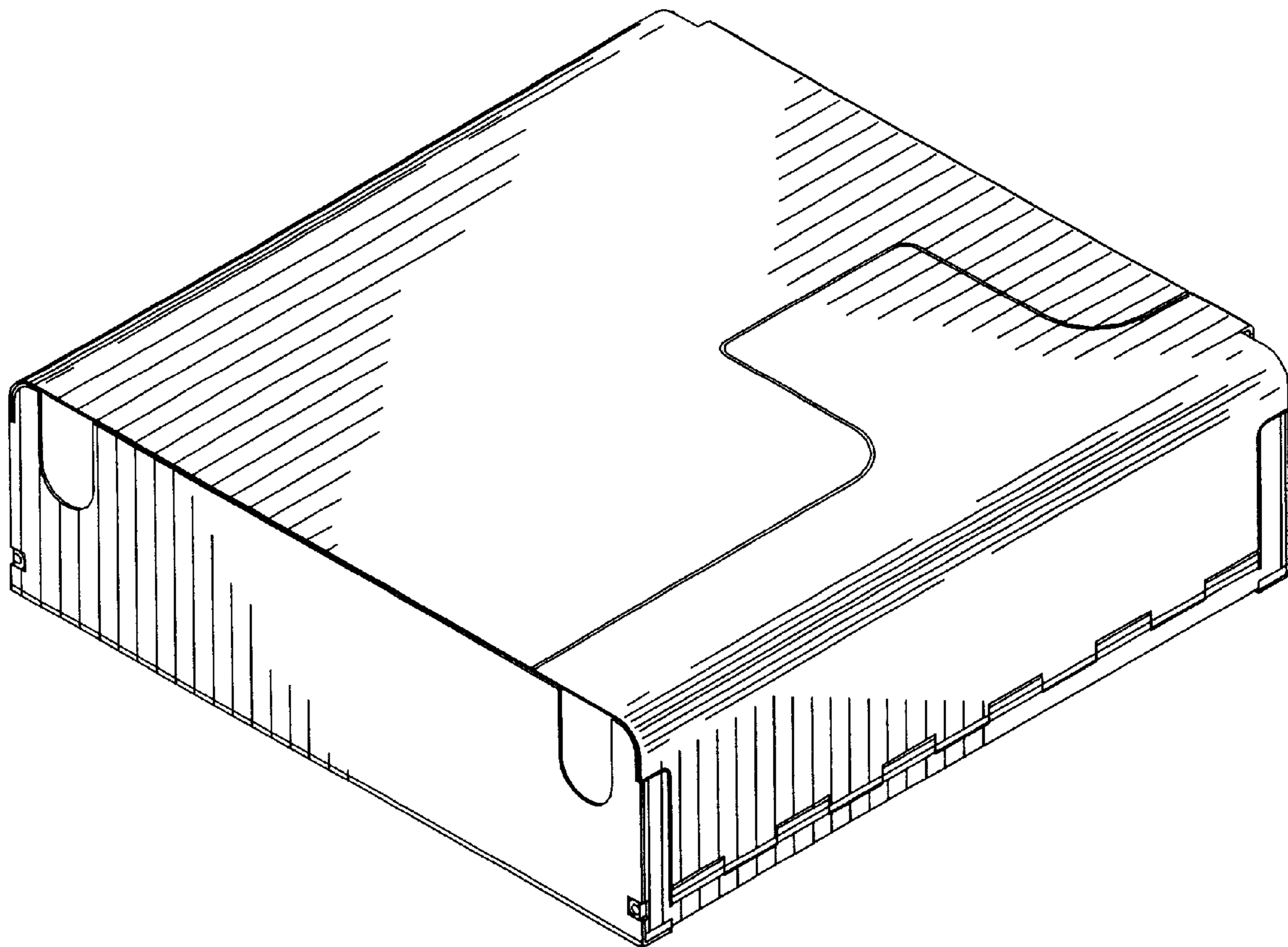
FIG. 1 is a perspective view of a fiber optic cable wall mount housing showing our new design;  
FIG. 2 is a front elevational view thereof;  
FIG. 3 is a rear elevational view thereof;  
FIG. 4 is a right view thereof;  
FIG. 5 is a left side view thereof;  
FIG. 6 is a top view thereof; and,  
FIG. 7 is a bottom view thereof.

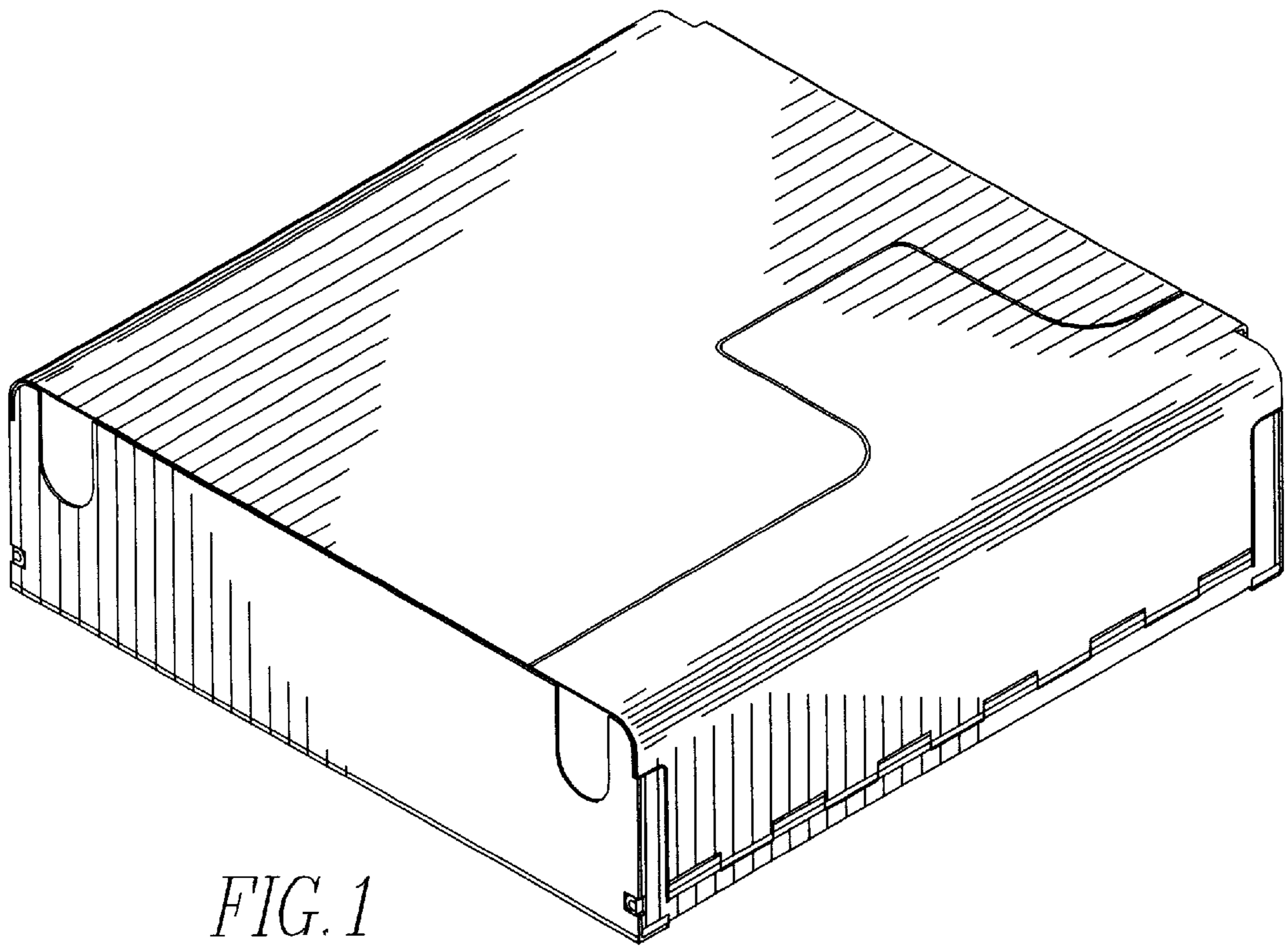
### [56] References Cited

#### U.S. PATENT DOCUMENTS

D. 252,510 7/1979 Fima ..... D13/152

**1 Claim, 2 Drawing Sheets**





*FIG. 1*

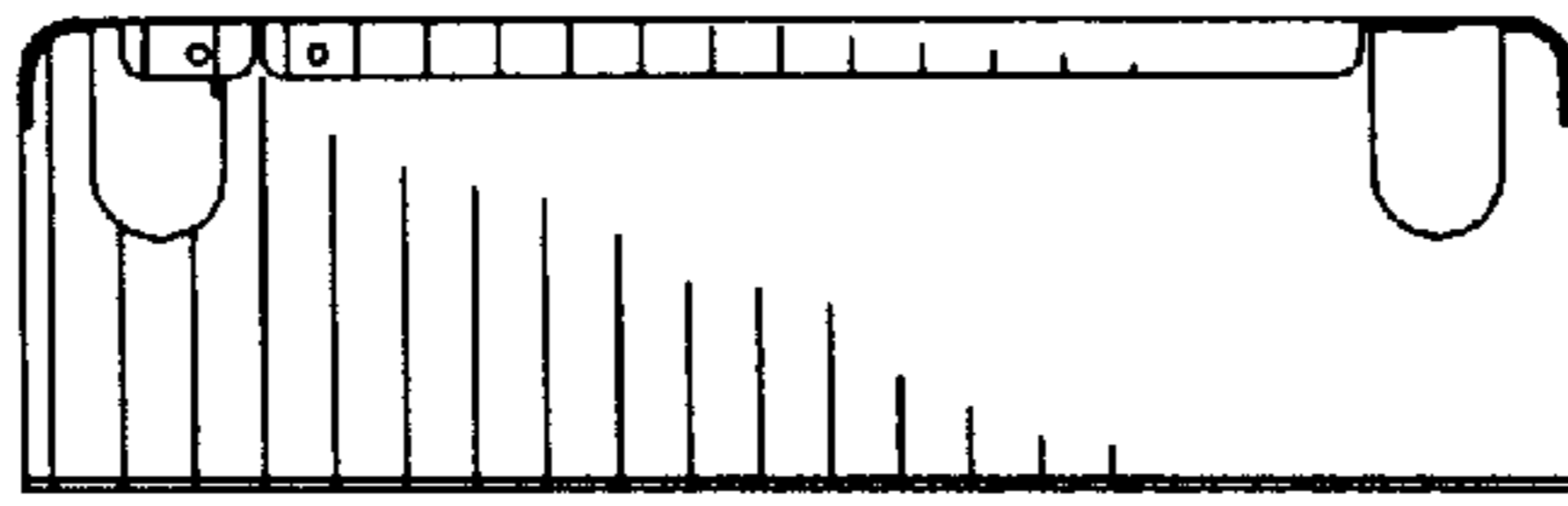


FIG. 6

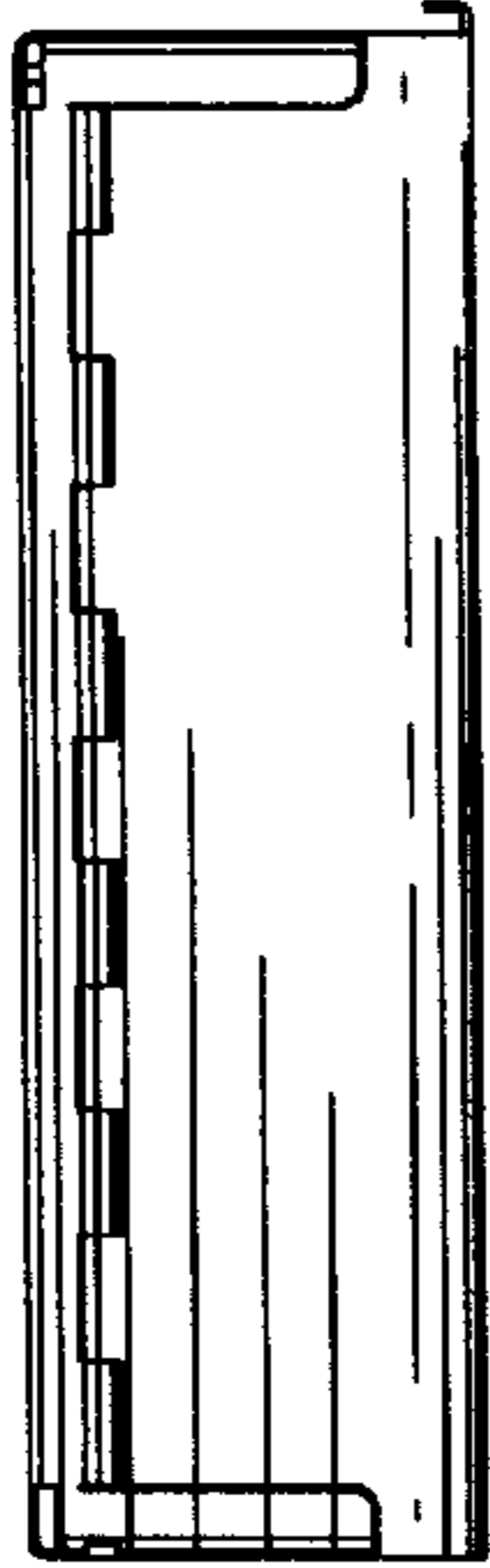


FIG. 5

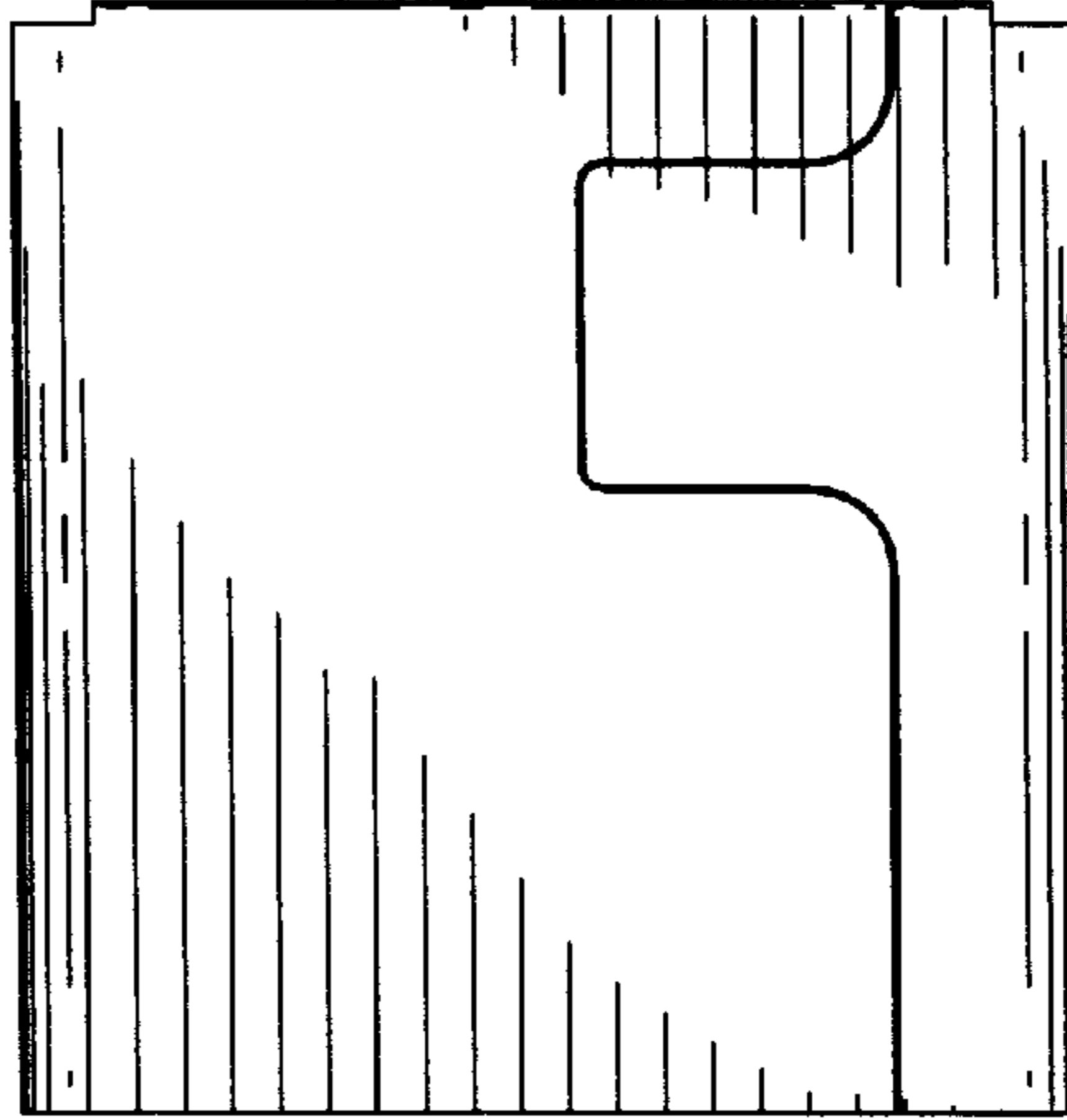


FIG. 2

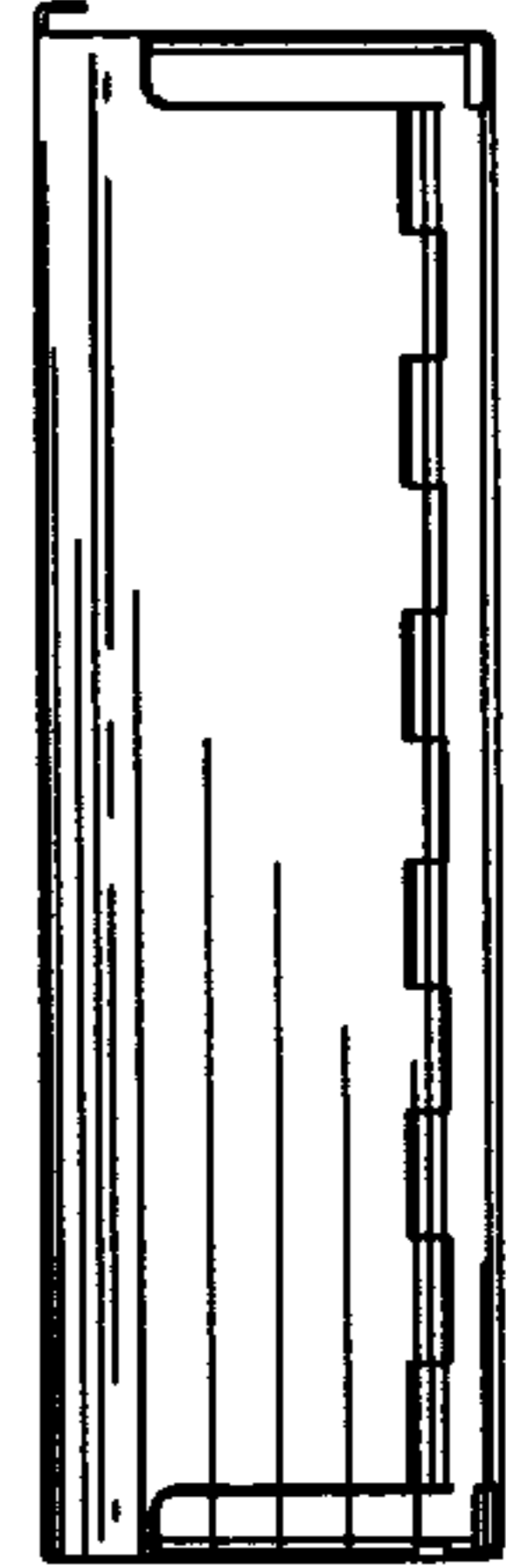


FIG. 4

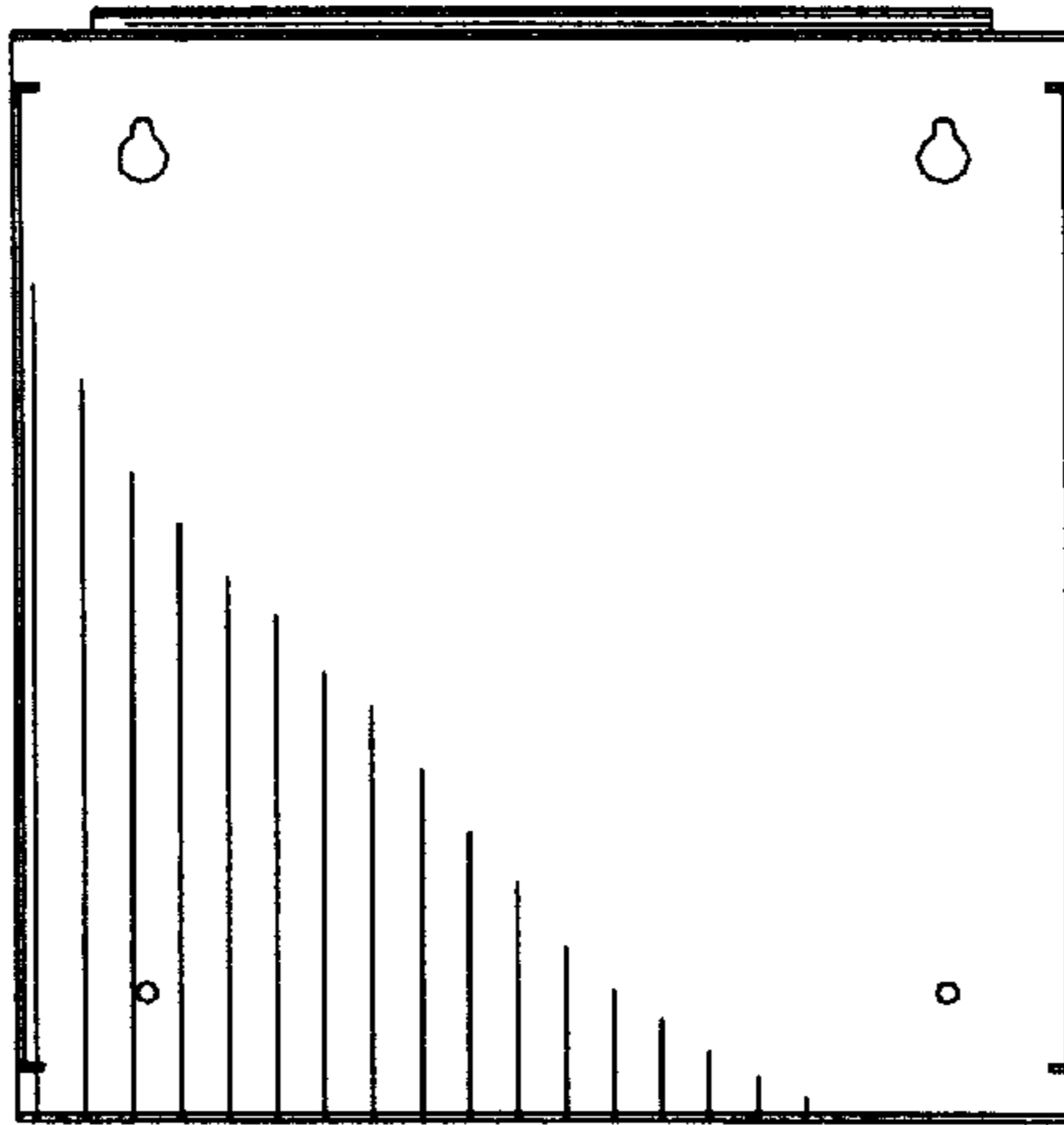


FIG. 3

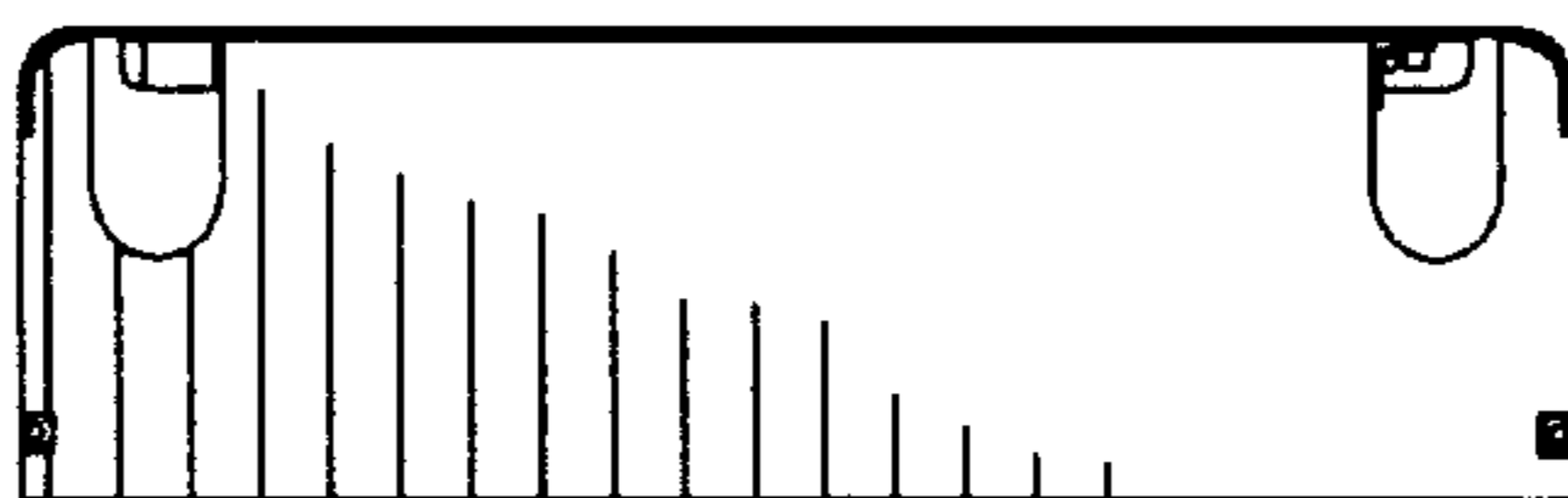


FIG. 7