



US00D422258S

United States Patent [19]
Hale, Jr.

[11] **Patent Number: Des. 422,258**
[45] **Date of Patent: ** Apr. 4, 2000**

[54] **VEHICLE-WHEEL FRONT FACE**

[75] Inventor: **Arthur D. Hale, Jr.**, Long Beach, Calif.

[73] Assignee: **Mobile Hi-Tech Wheels**, Torrance, Calif.

[**] Term: **14 Years**

[21] Appl. No.: **29/104,088**

[22] Filed: **Apr. 28, 1999**

[51] **LOC (6) Cl.** **12-16**

[52] **U.S. Cl.** **D12/211**

[58] **Field of Search** D12/204-213;
301/64.1, 65, 37.1

[56] **References Cited**

U.S. PATENT DOCUMENTS

D. 267,564	1/1983	Wright	D12/211
D. 361,547	8/1995	Weld	D12/211
D. 368,885	4/1996	Wagner	D12/209
D. 380,432	7/1997	Hettler	D12/209
D. 384,025	9/1997	Roesianto	D12/209
D. 388,046	12/1997	Roesianto	D12/209
D. 391,215	2/1998	Cervati	D12/209
D. 391,543	3/1998	Renkert	D12/209
D. 396,682	8/1998	Sacco et al.	D12/209
D. 398,573	9/1998	Cattaneo	D12/211
D. 398,574	9/1998	McMath	D12/211

D. 402,952	12/1998	Sycha	D12/211
D. 403,289	12/1998	Watanabe	D12/209
D. 407,364	3/1999	Fisker	D12/209
D. 407,680	4/1999	Bhambra	D12/209
D. 408,343	4/1999	Sacco et al.	D12/209
D. 410,618	6/1999	Hussaini et al.	D12/211
D. 412,692	8/1999	Hussaini	D12/209

Primary Examiner—Doris V. Coles
Assistant Examiner—Stacià Sinuik
Attorney, Agent, or Firm—Christie, Parker & Hale, LLP

[57] **CLAIM**

The ornamental design for a vehicle-wheel front face, as shown and described.

DESCRIPTION

FIG. 1 is a perspective view of a vehicle-wheel front face according to my new design;
FIG. 2 is a front elevational view thereof;
FIG. 3 is a side elevational view thereof;
FIG. 4 is a perspective view of a second embodiment of my new design;
FIG. 5 is a front elevational view of the second embodiment; and,
FIG. 6 is a side elevational view of the second embodiment. Portions of the wheel depicted in broken line are for illustrative purposes only, and form no part of the claimed design.

1 Claim, 6 Drawing Sheets

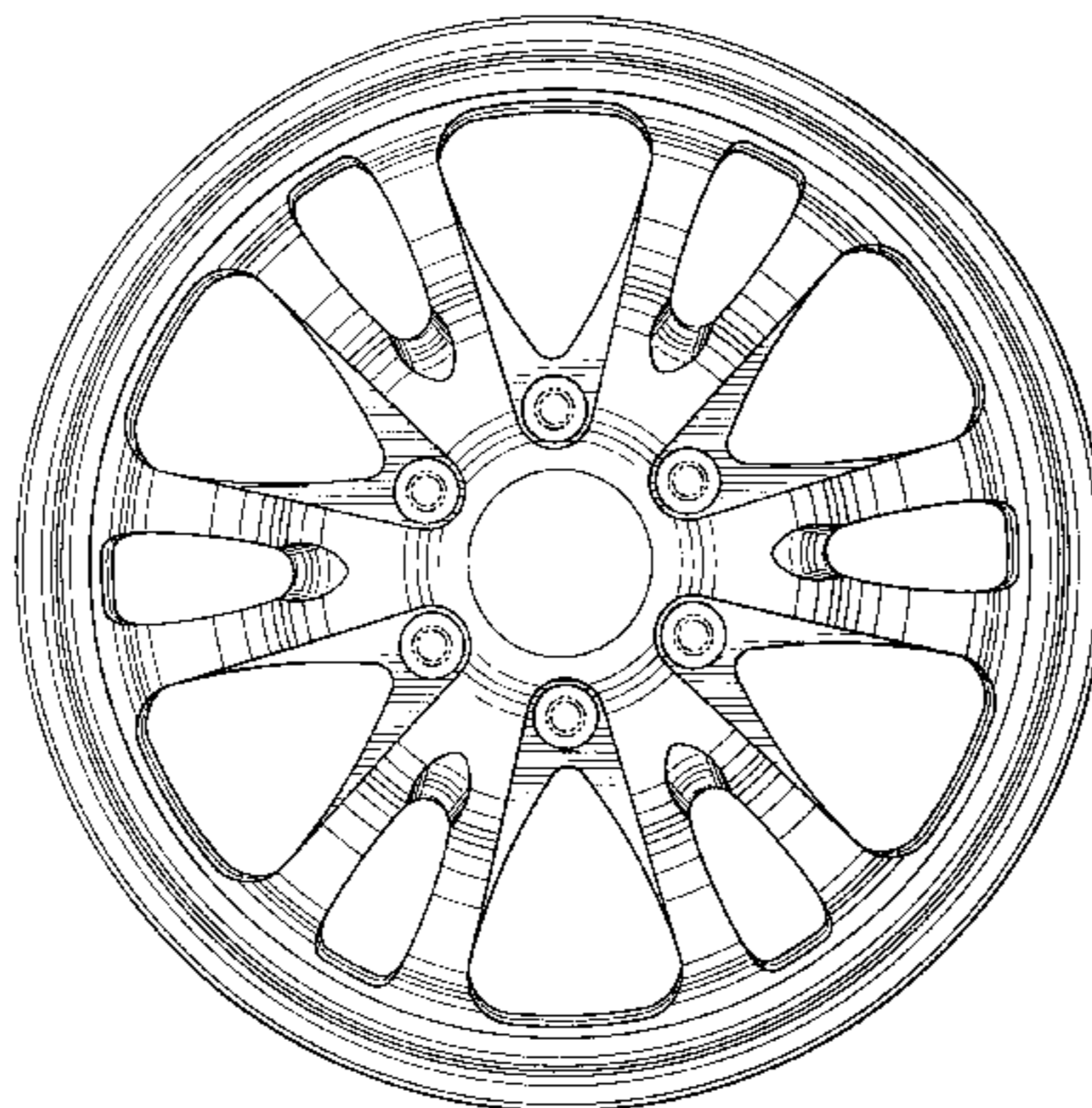
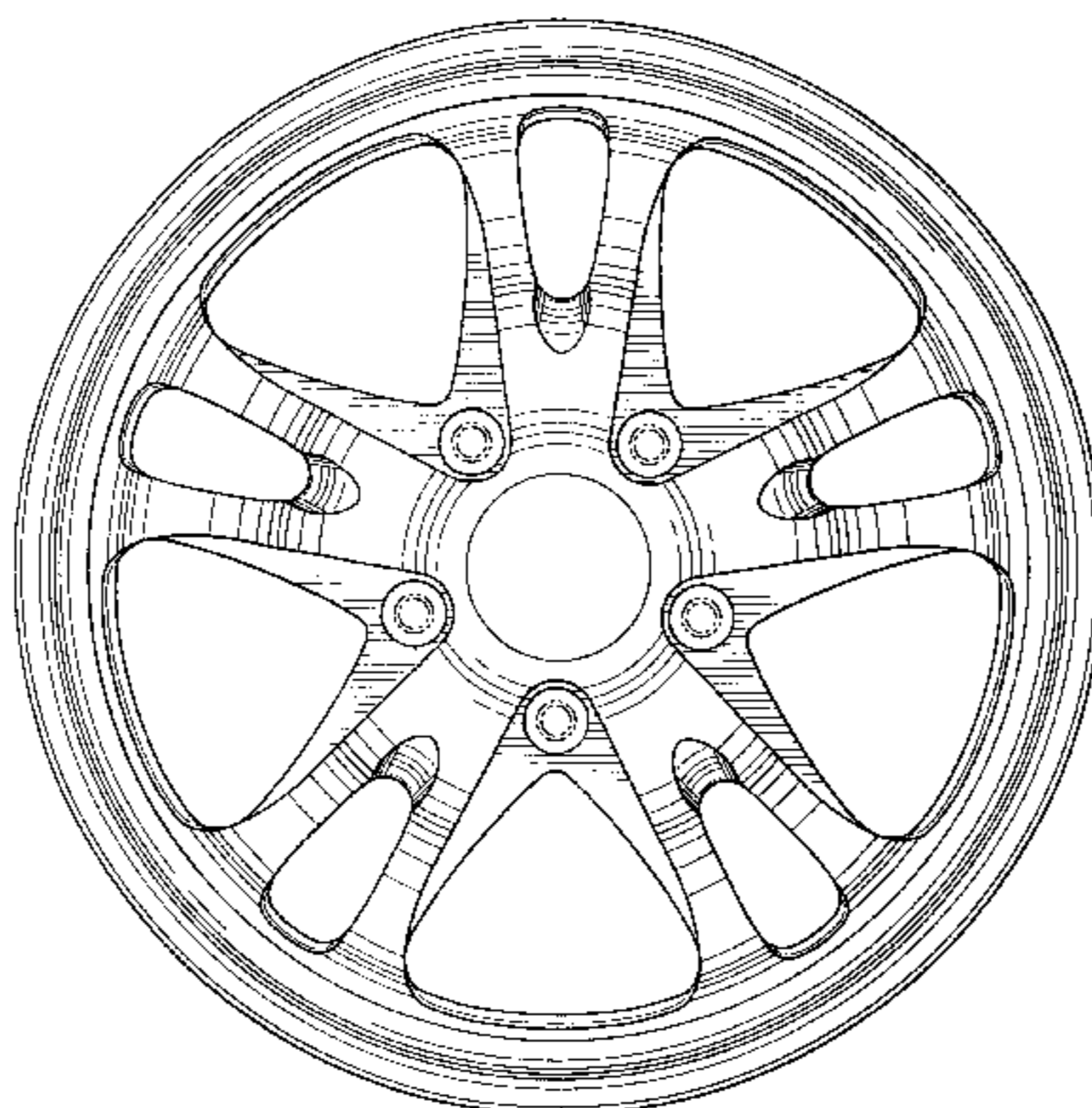


FIG. 1

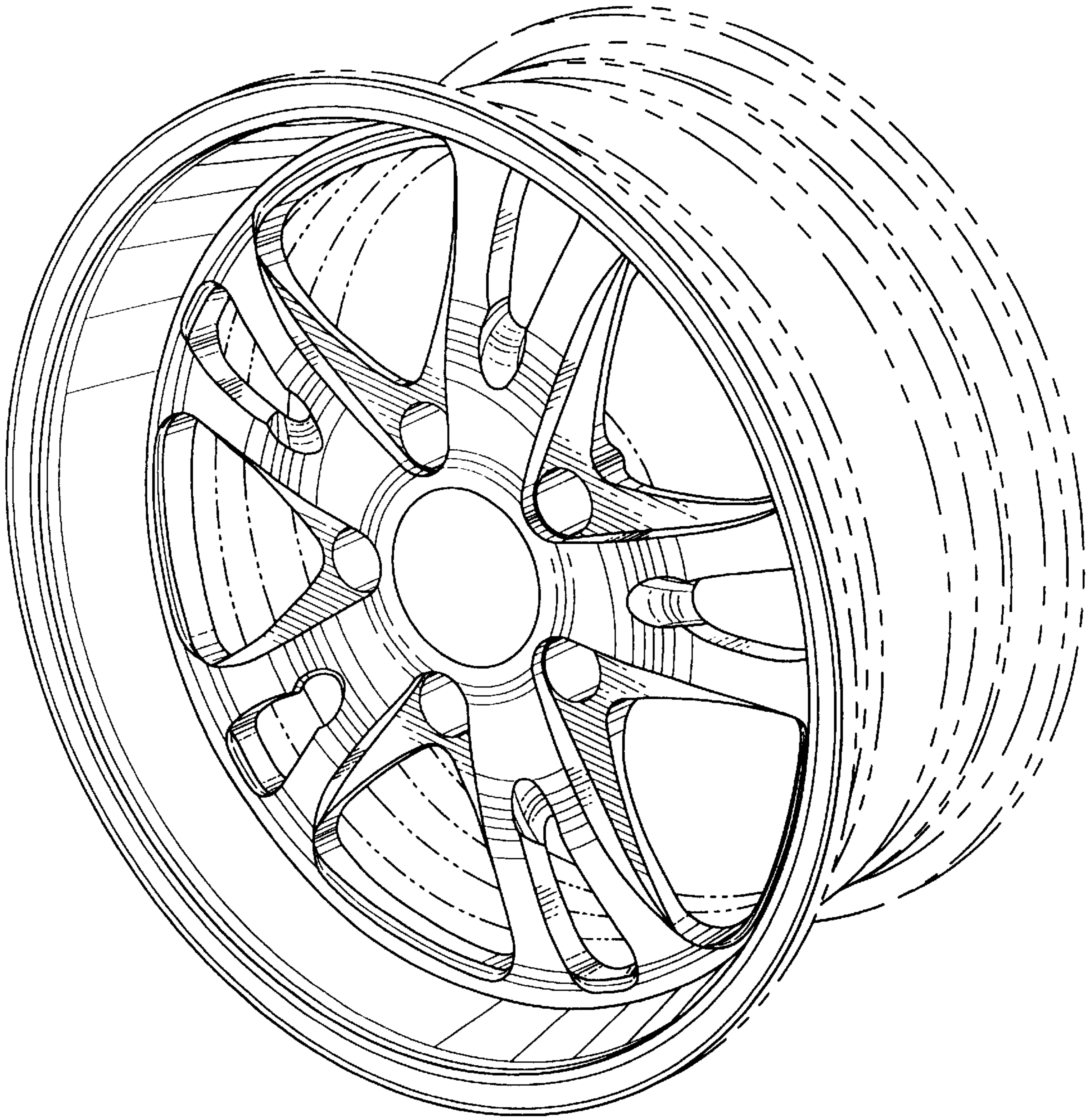


FIG. 2

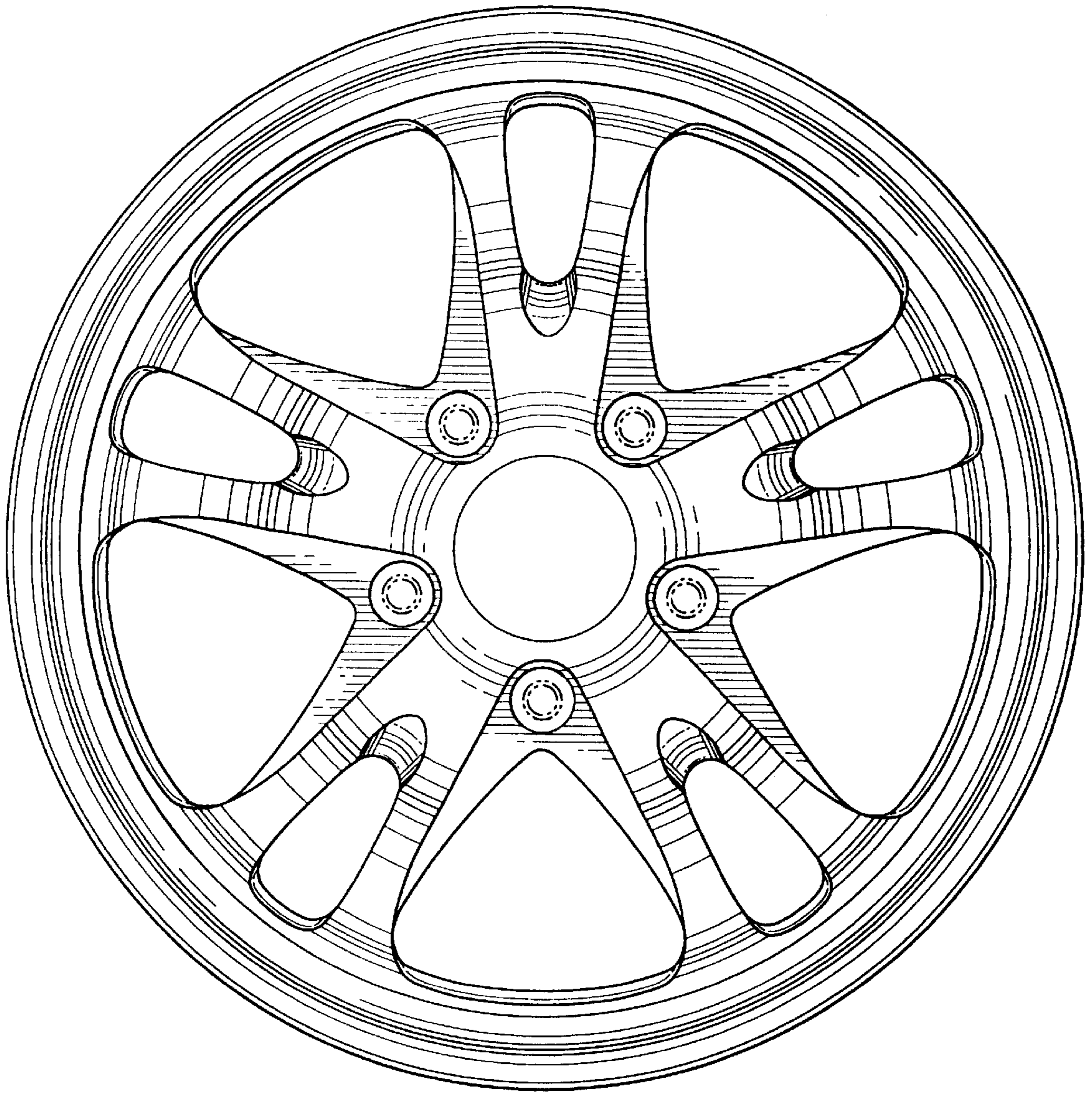


FIG. 3

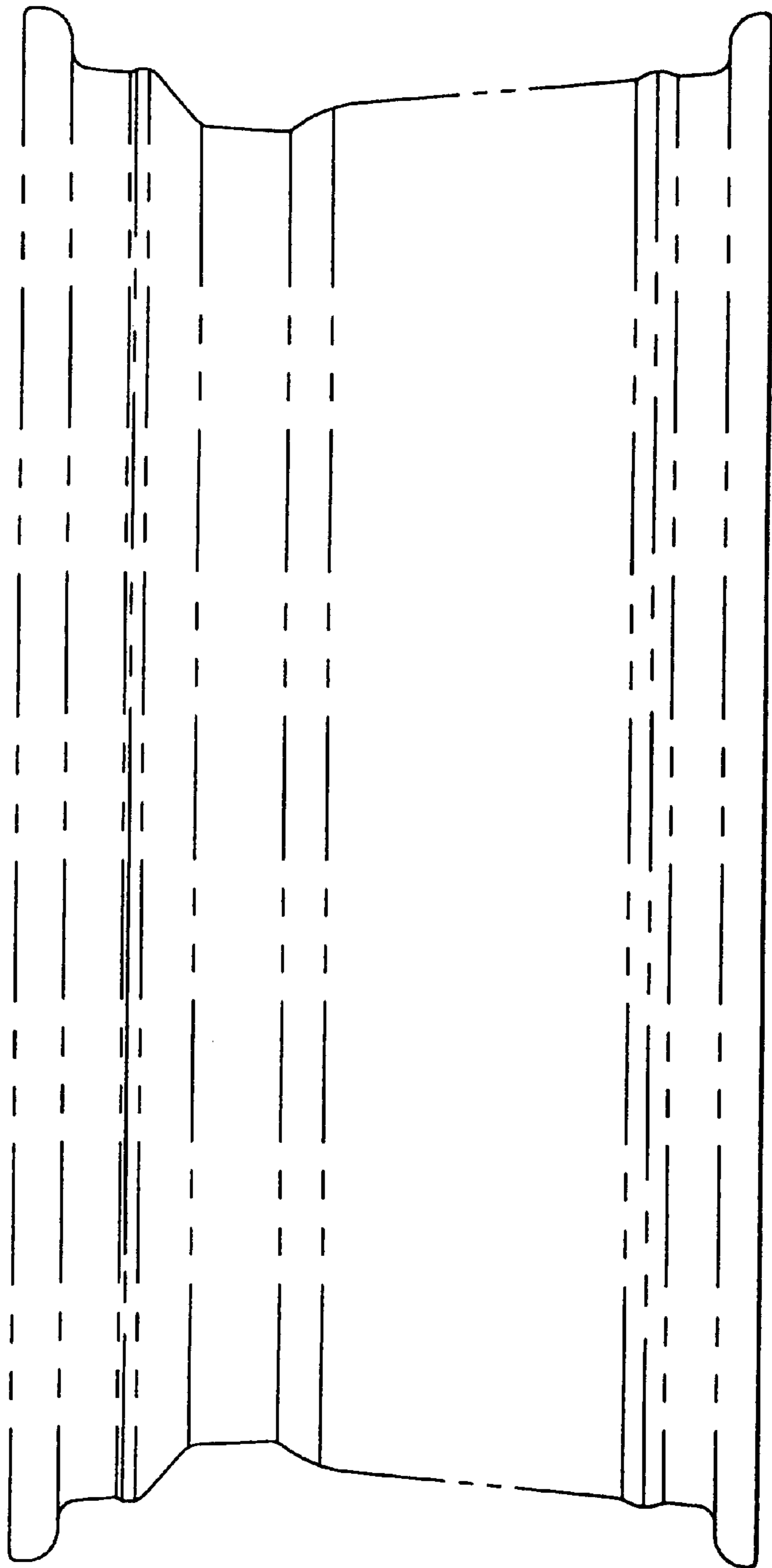


FIG. 4

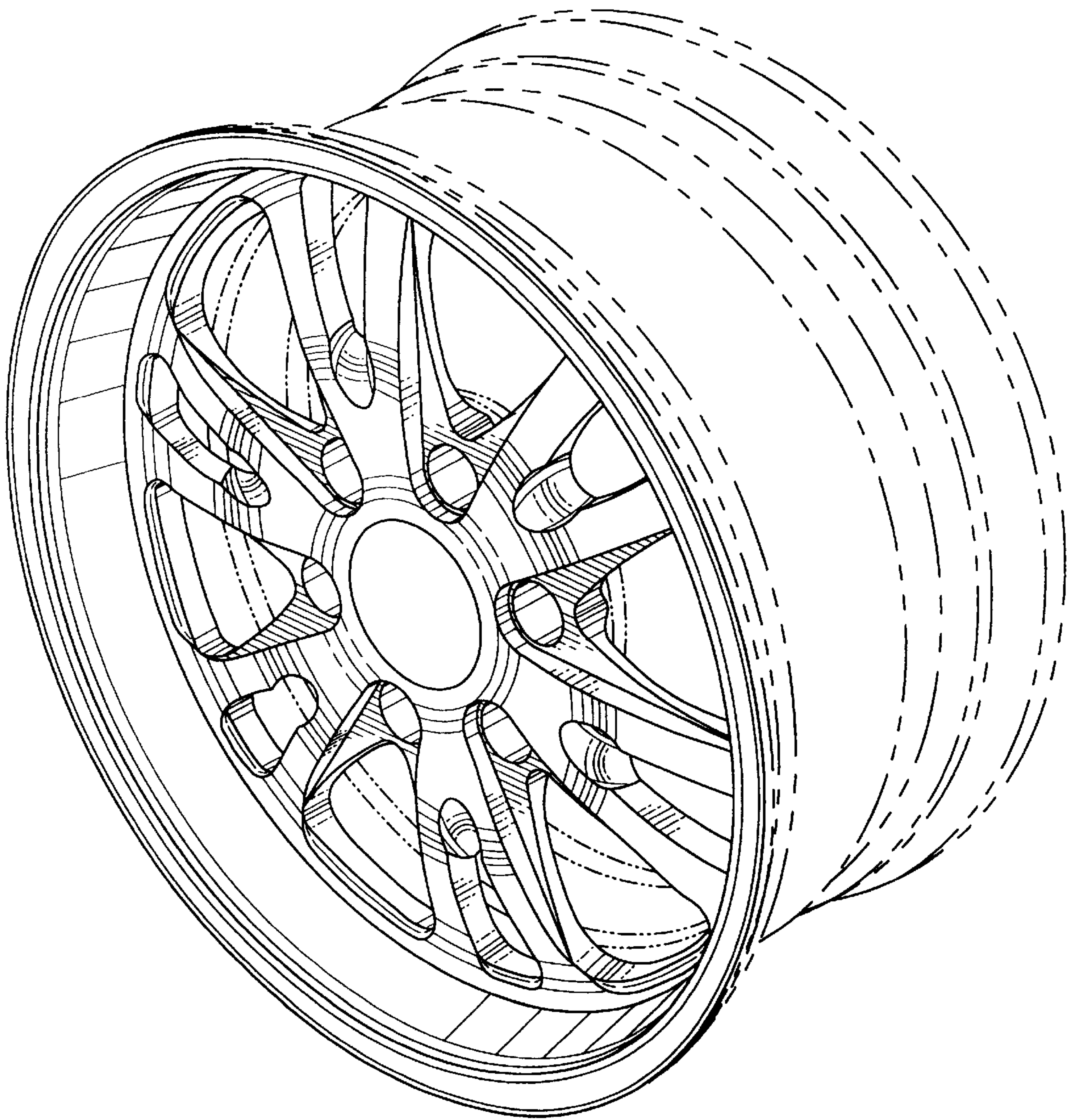


FIG. 5

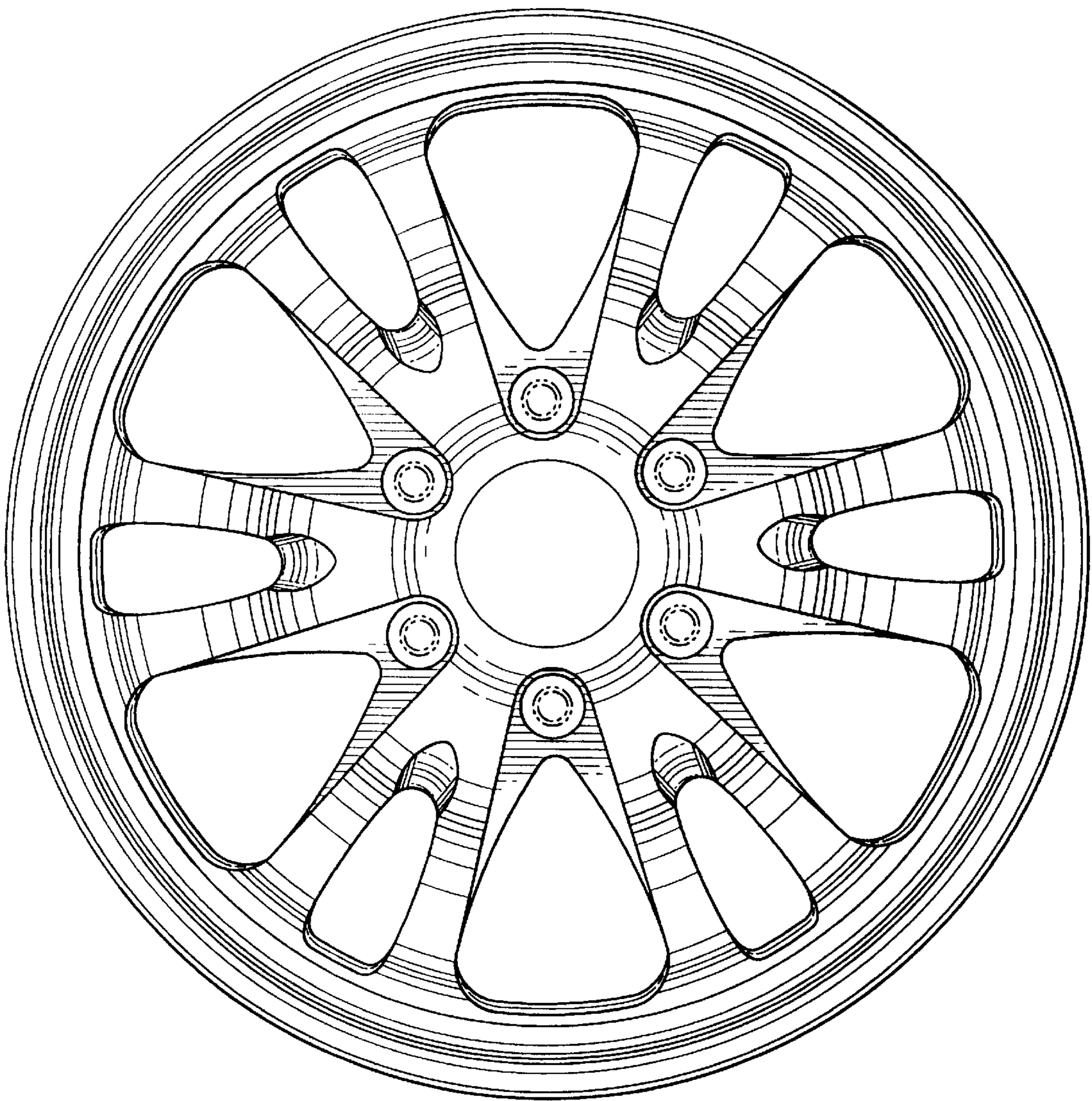


FIG. 6

