



US00D422255S

# United States Patent [19] Gonzales

[11] Patent Number: **Des. 422,255**

[45] Date of Patent: **\*\* Apr. 4, 2000**

[54] **MAGNETIC GAS CAP**

[76] Inventor: **Eddie R. Gonzales**, 358 Arvada Ave.,  
NE., Albuquerque, N.Mex. 87102

[\*\*] Term: **14 Years**

[21] Appl. No.: **29/084,661**

[22] Filed: **Mar. 6, 1998**

[51] **LOC (6) Cl.** ..... **12-16**

[52] **U.S. Cl.** ..... **D12/197**

[58] **Field of Search** ..... D12/197; D9/453;  
220/86.1, 86.2, 288, 4.14, DIG. 33

[56] **References Cited**

**U.S. PATENT DOCUMENTS**

- D. 233,138 10/1974 Vogel ..... D9/453
- D. 353,357 12/1994 Weinberg et al. .... D12/197
- D. 354,914 1/1995 Newman ..... D9/453

- D. 397,320 8/1998 Hoagland, IV ..... D12/197
- 4,290,466 9/1981 Villa et al. .... 220/288
- 4,399,926 8/1983 Eidels-Dubovoy ..... 220/288
- 4,813,453 3/1989 Jenkins et al. .... 220/86.2
- 5,908,130 6/1999 Chang ..... 220/86.2

*Primary Examiner*—Robert M. Spear  
*Attorney, Agent, or Firm*—Kevin Lynn Wildenstein, Esq.

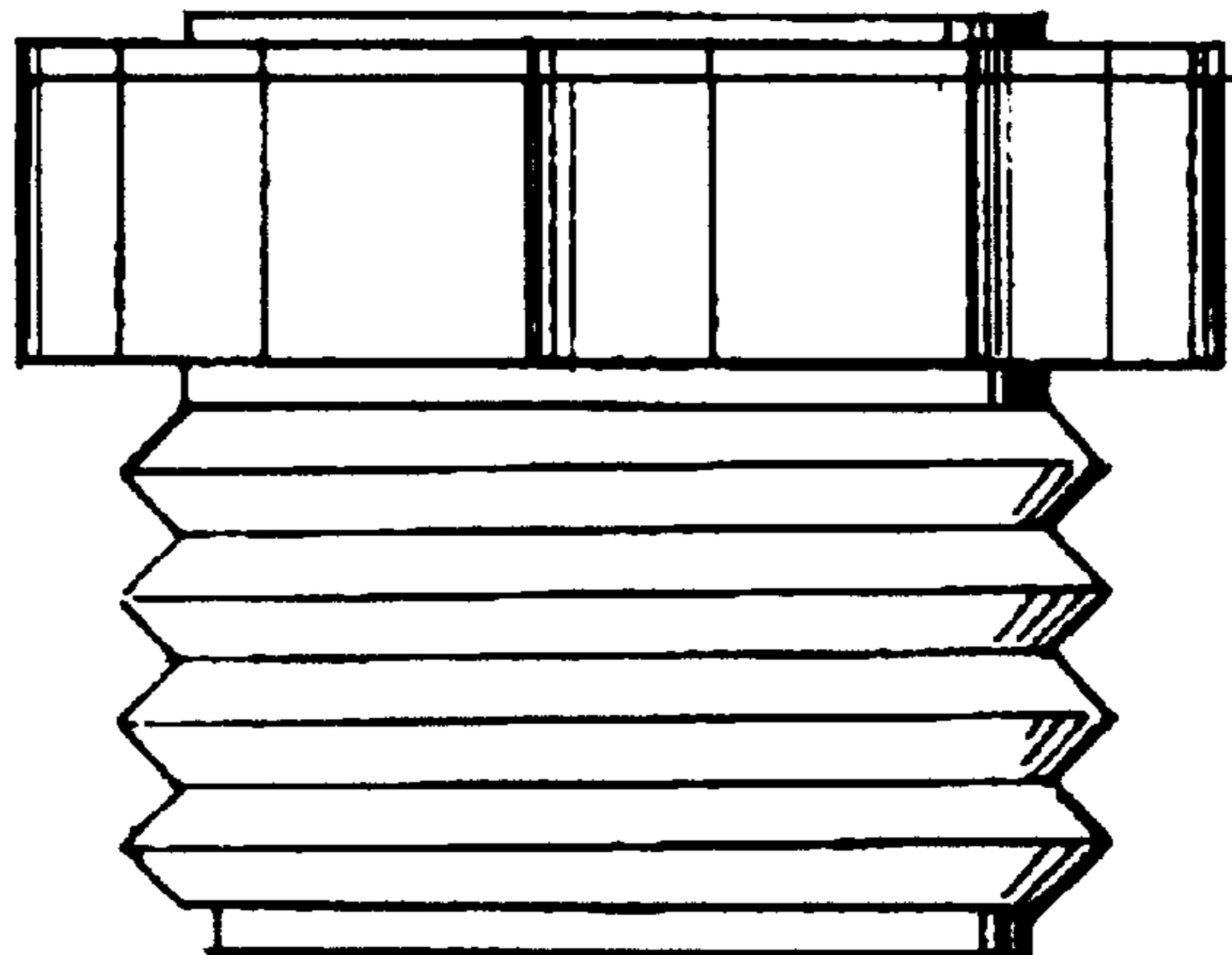
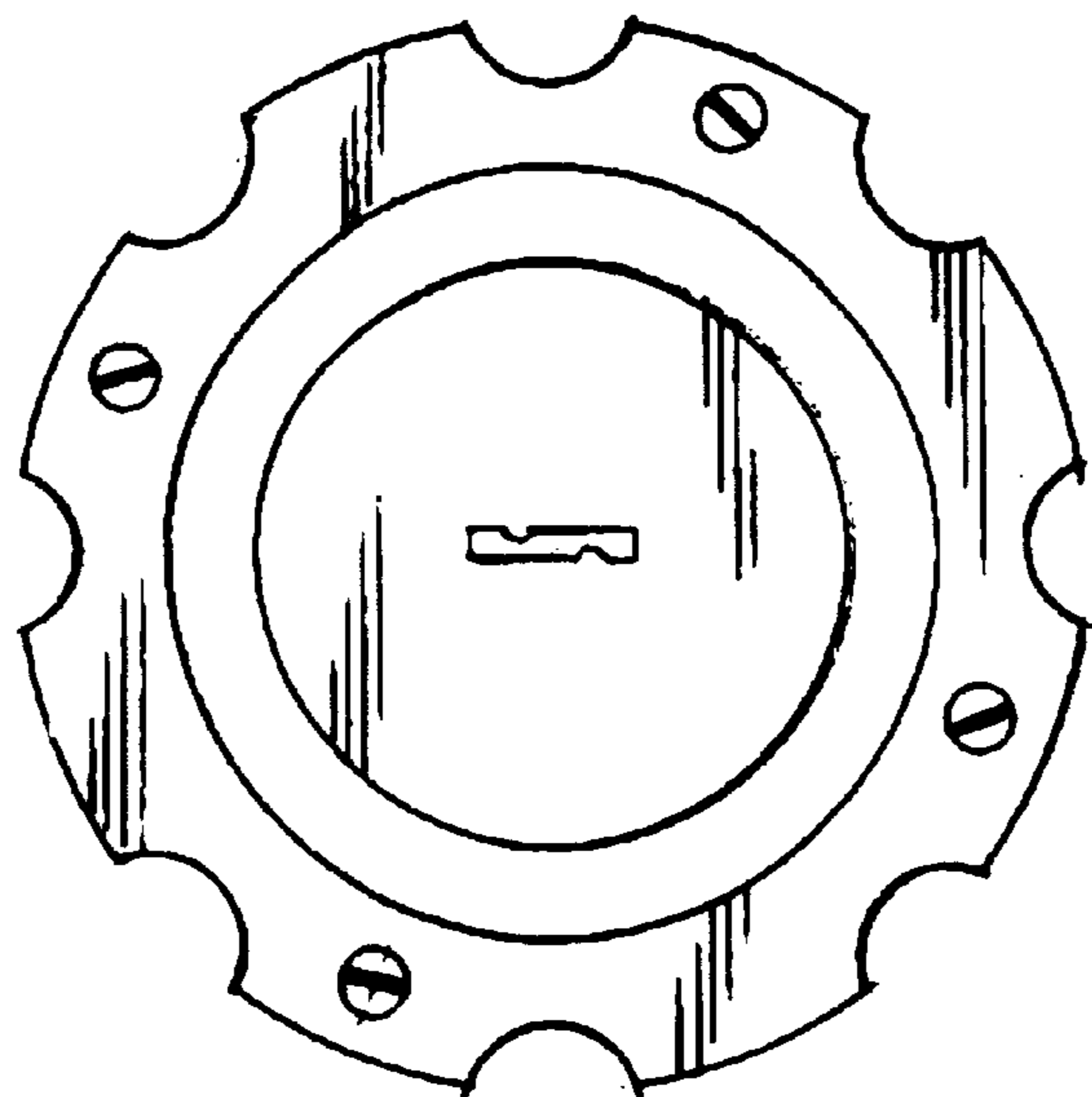
[57] **CLAIM**

I claim the ornamental design for a magnetic gas cap, as shown and described.

**DESCRIPTION**

FIG. 1 is a top view of the magnetic gas cap;  
FIG. 2 is a side view of the magnetic gas cap, the opposite side view being identical thereto;  
FIG. 3 is a bottom view of the magnetic gas cap; and,  
FIG. 4 is an exploded view of the magnetic gas cap.

**1 Claim, 1 Drawing Sheet**



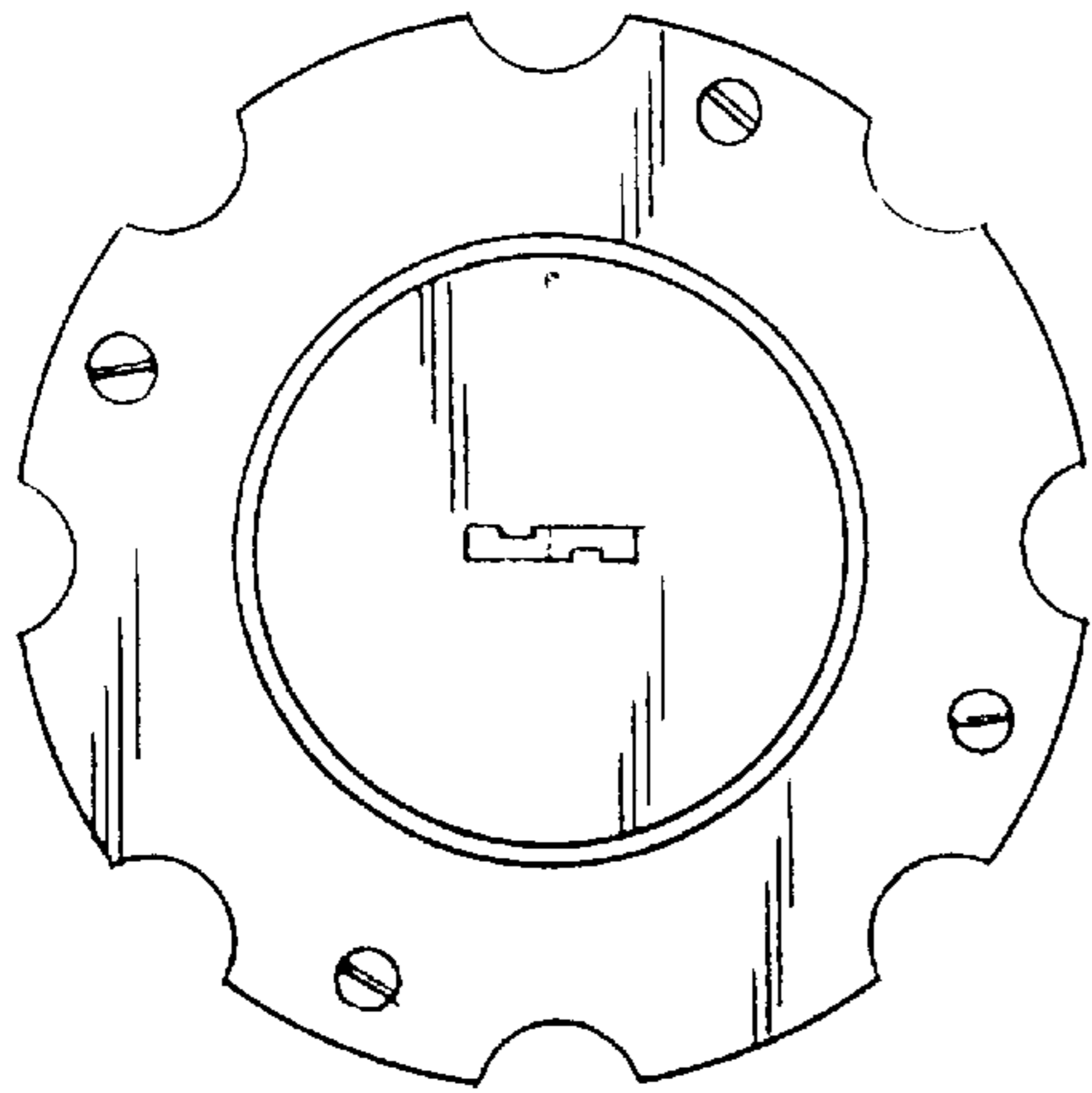


FIG-1

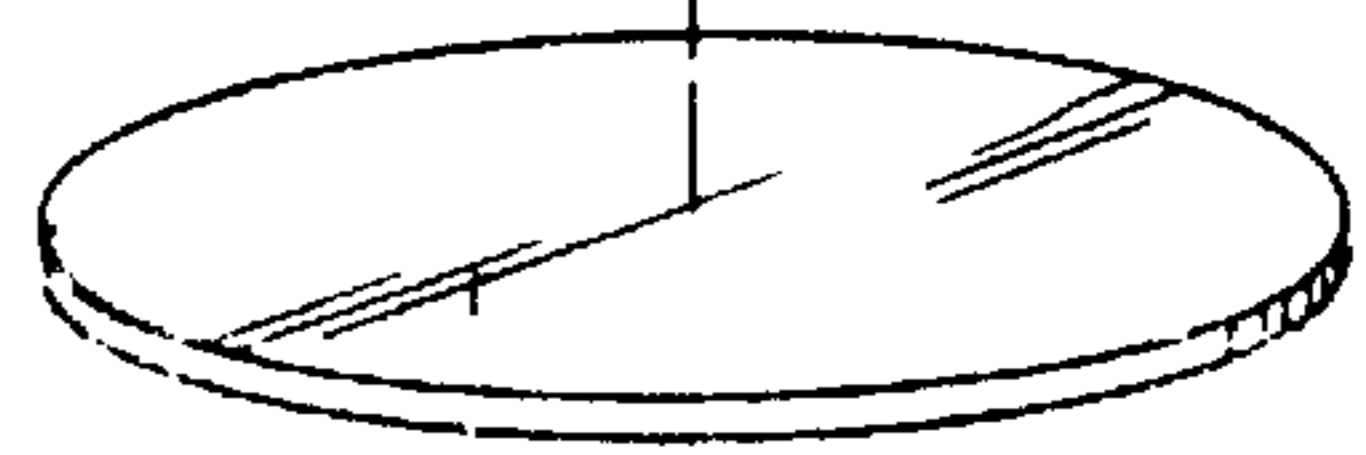
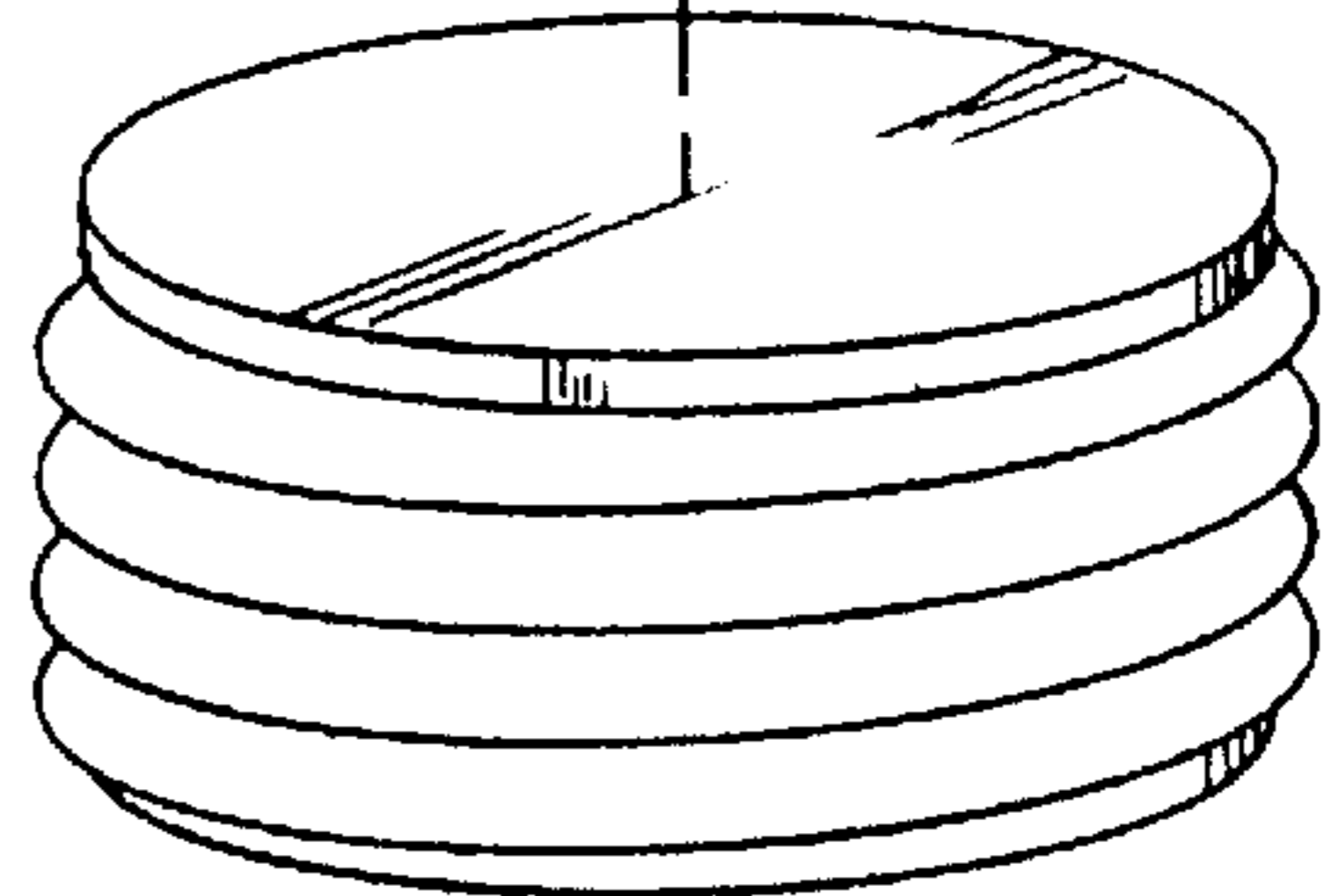
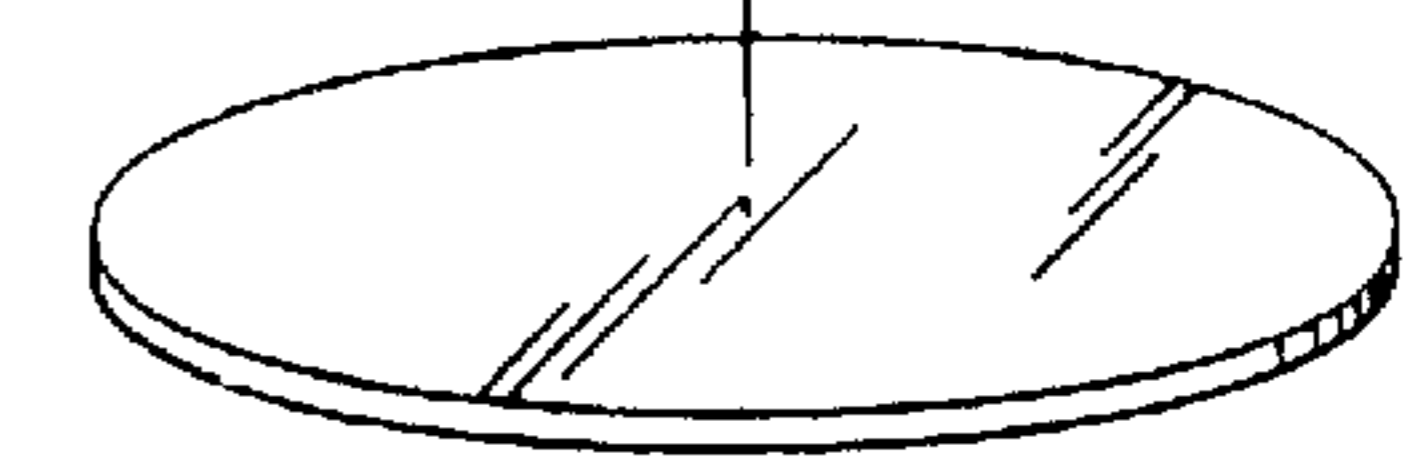
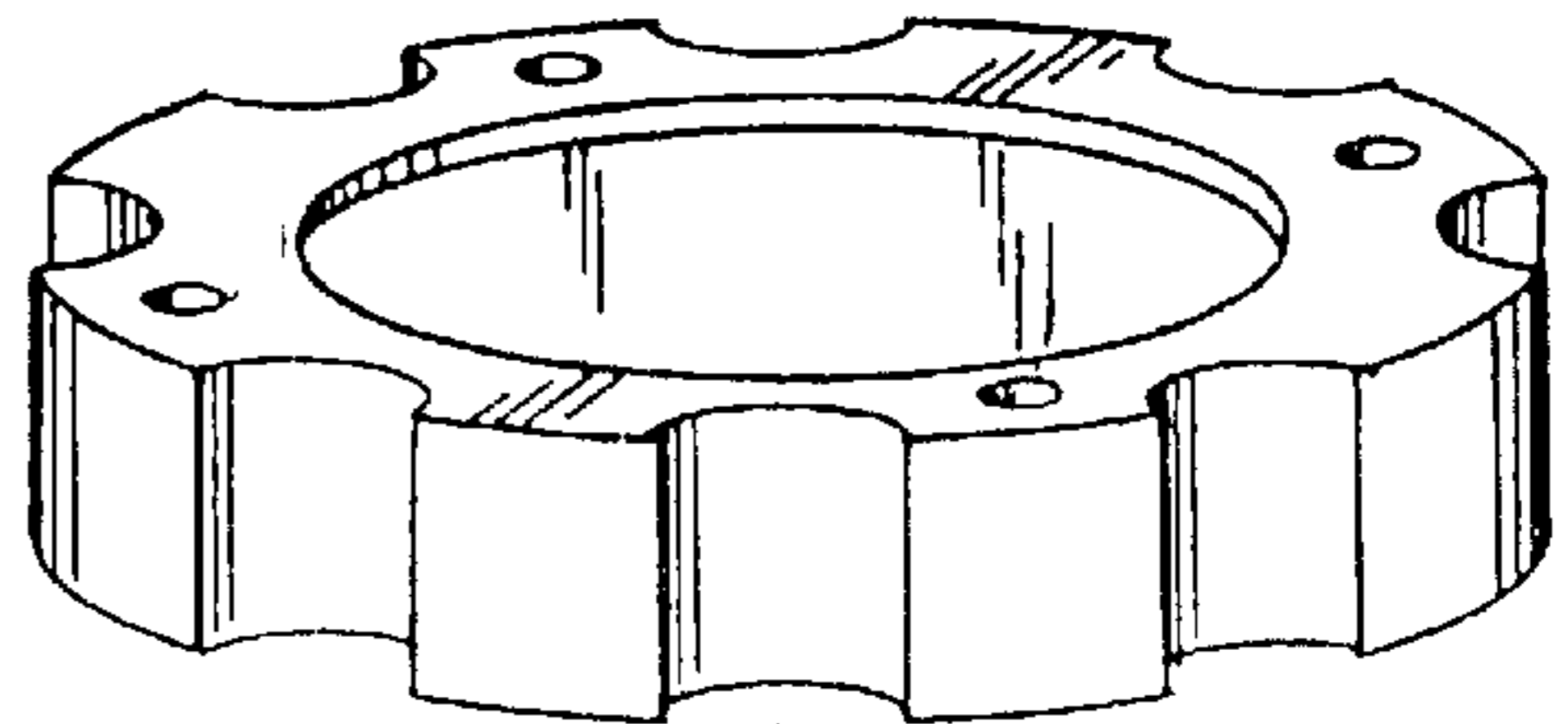
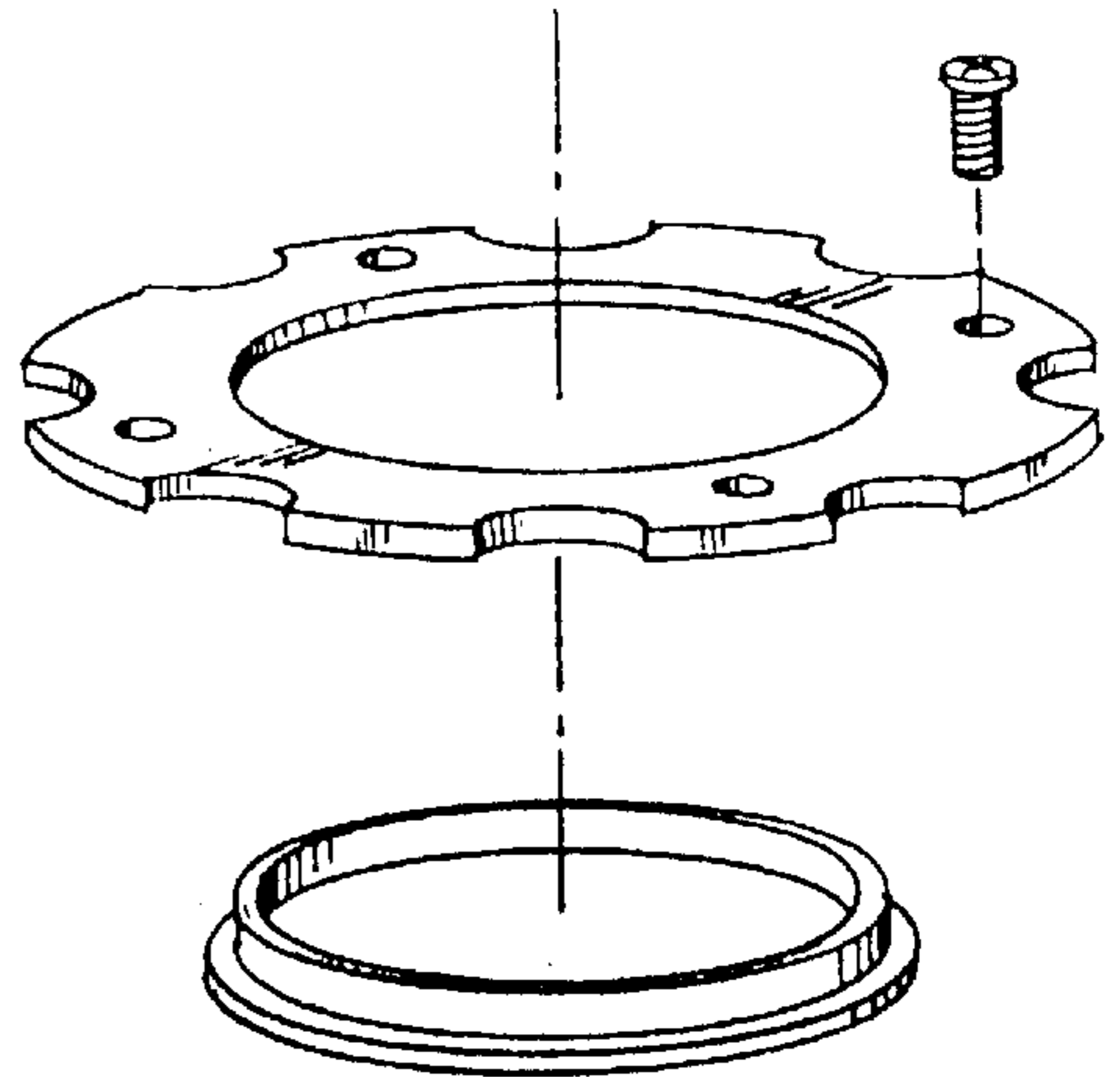


FIG-4

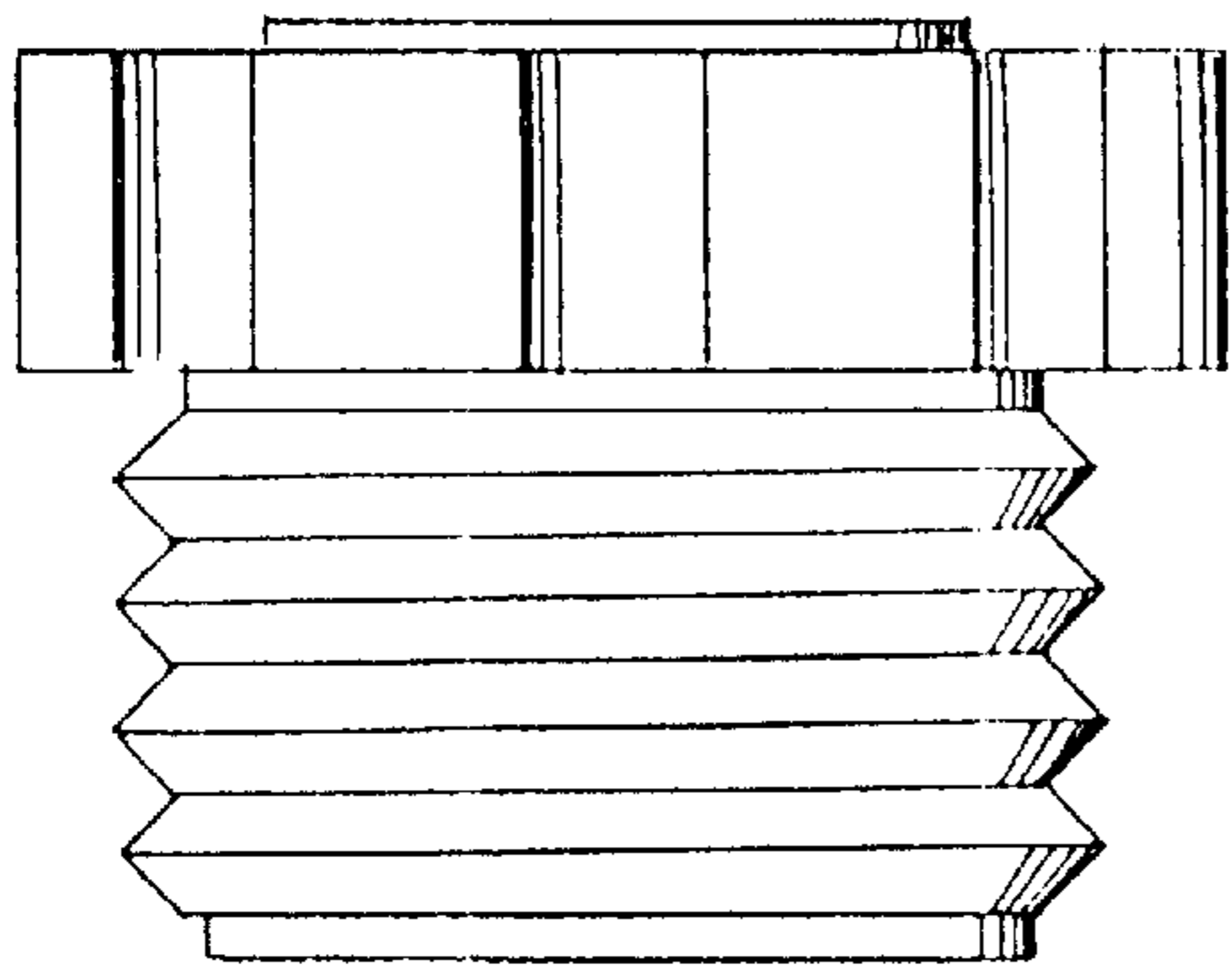


FIG-2

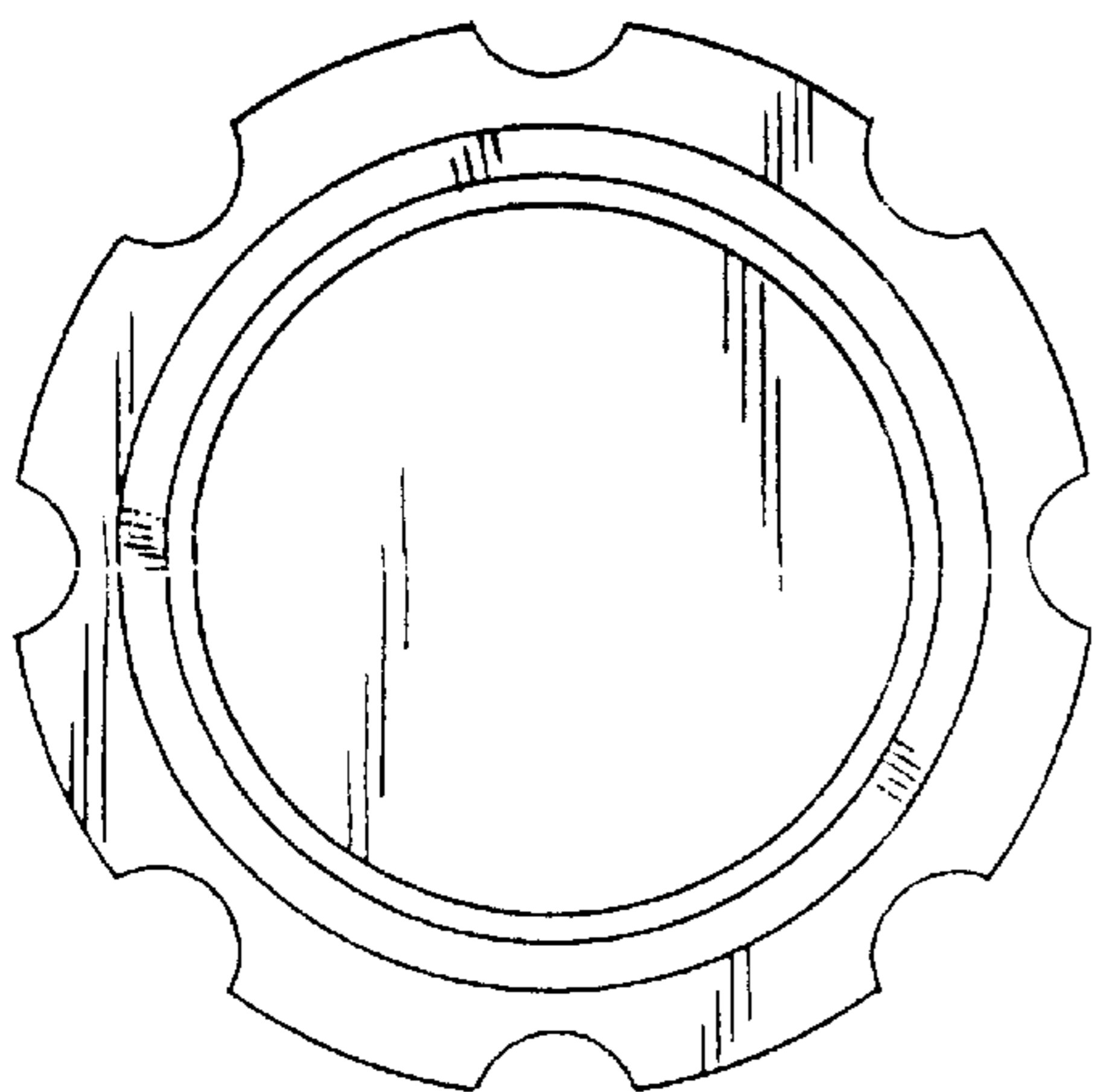


FIG-3