



US00D422253S

United States Patent [19] Boykin

[11] Patent Number: Des. 422,253

[45] Date of Patent: ** Apr. 4, 2000

[54] **AUTOMOBILE POWER BRAKE BOOSTER PLATE**

[76] Inventor: **James M. Boykin**, 3165 Washington, Riverside, Calif. 92504

[**] Term: **14 Years**

[21] Appl. No.: **29/106,140**

[22] Filed: **Jun. 9, 1999**

[51] **LOC (6) Cl.** **12-16**

[52] **U.S. Cl.** **D12/180; D12/179**

[58] **Field of Search** D12/180, 179, D12/126, 114; 76/560-563, 523; 188/71.1, 24.11, 73.3, 73.45, 73.34, 73.35, 72.27

[56] **References Cited**

U.S. PATENT DOCUMENTS

D. 319,423	8/1991	Kurszewski et al.	D12/179
D. 338,441	8/1993	Deubner	D12/179
D. 376,340	12/1996	Davidson et al.	D12/180
D. 392,604	3/1998	Wright et al.	D12/126
D. 416,520	11/1999	Bulger	D12/114
4,631,034	12/1986	Menne et al.	74/512

Primary Examiner—Melody N. Brown
Attorney, Agent, or Firm—James G. O'Neill

[57] **CLAIM**

The ornamental design for a automobile power brake booster plate, as shown and described.

DESCRIPTION

FIG. 1 is a front elevational view of a first embodiment of an automobile power brake booster plate showing my new design;

FIG. 2 is a top plan view of FIG. 1;

FIG. 3 is a left side elevational view of FIG. 1;

FIG. 4 is a right side elevational view of FIG. 1;

FIG. 5 is a bottom plan view of FIG. 1;

FIG. 6 is a rear elevational view of FIG. 1;

FIG. 7 is a front elevational view of a second embodiment of an automobile power brake booster plate showing my new design;

FIG. 8 is a top plan view of FIG. 7;

FIG. 9 is a left side elevational view of FIG. 7;

FIG. 10 is a right side elevational view of FIG. 7;

FIG. 11 is a bottom plan view of FIG. 7; and,

FIG. 12 is a rear elevational view of FIG. 7.

1 Claim, 4 Drawing Sheets

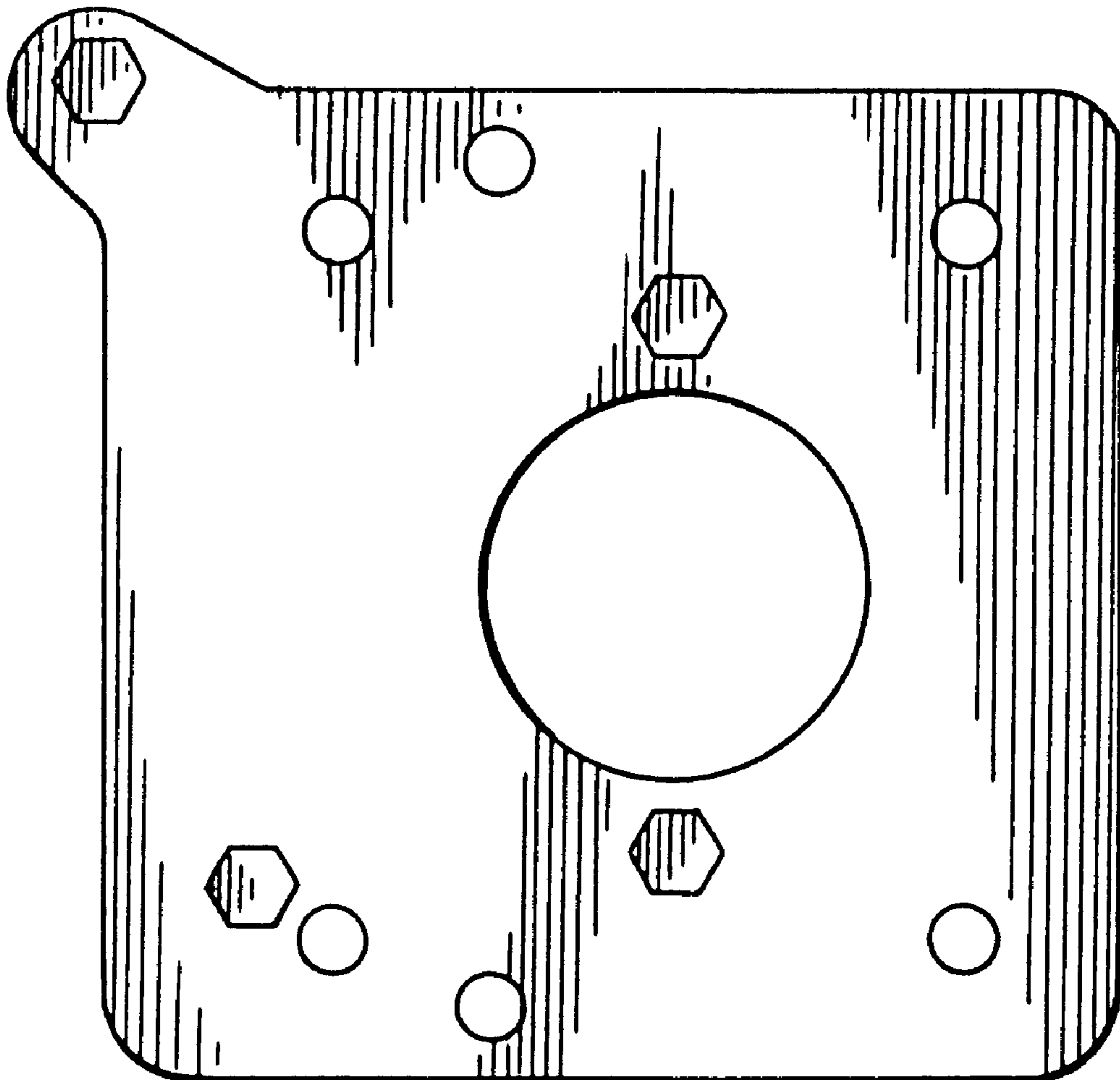


FIG. 2

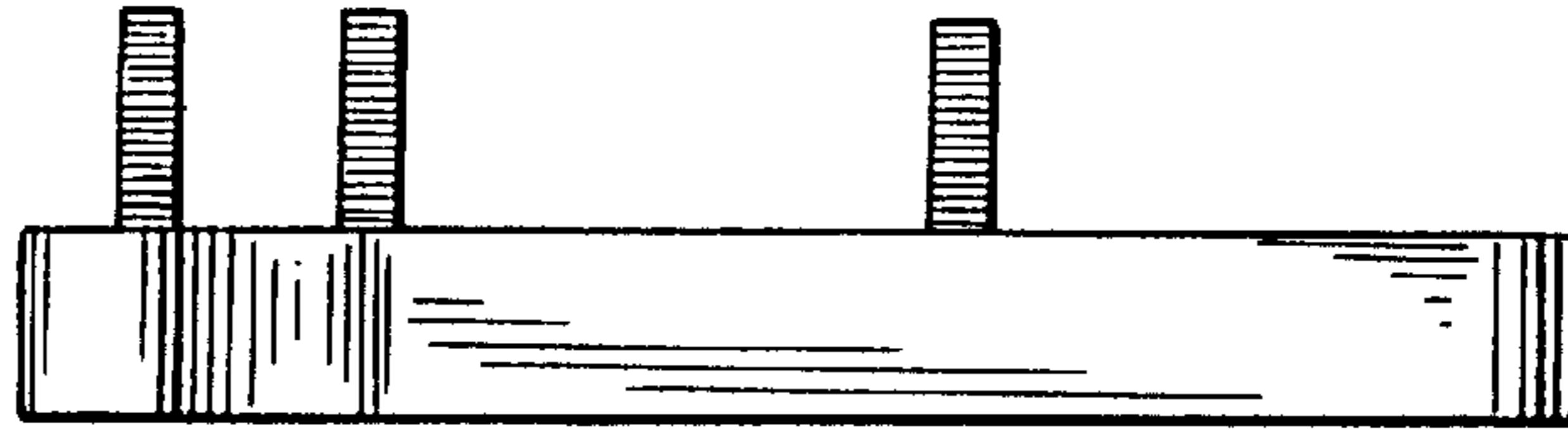


FIG. 3



FIG. 1

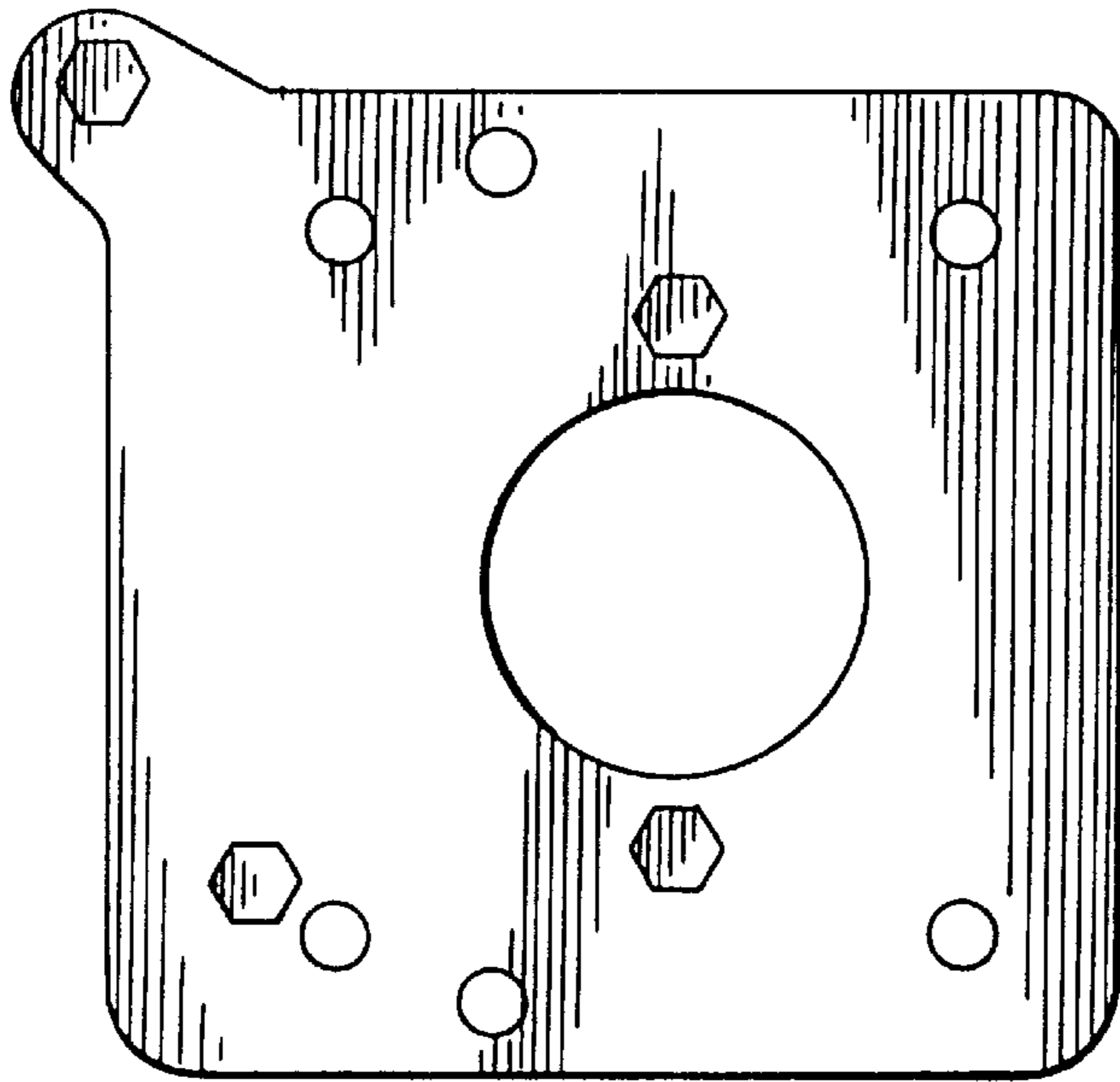
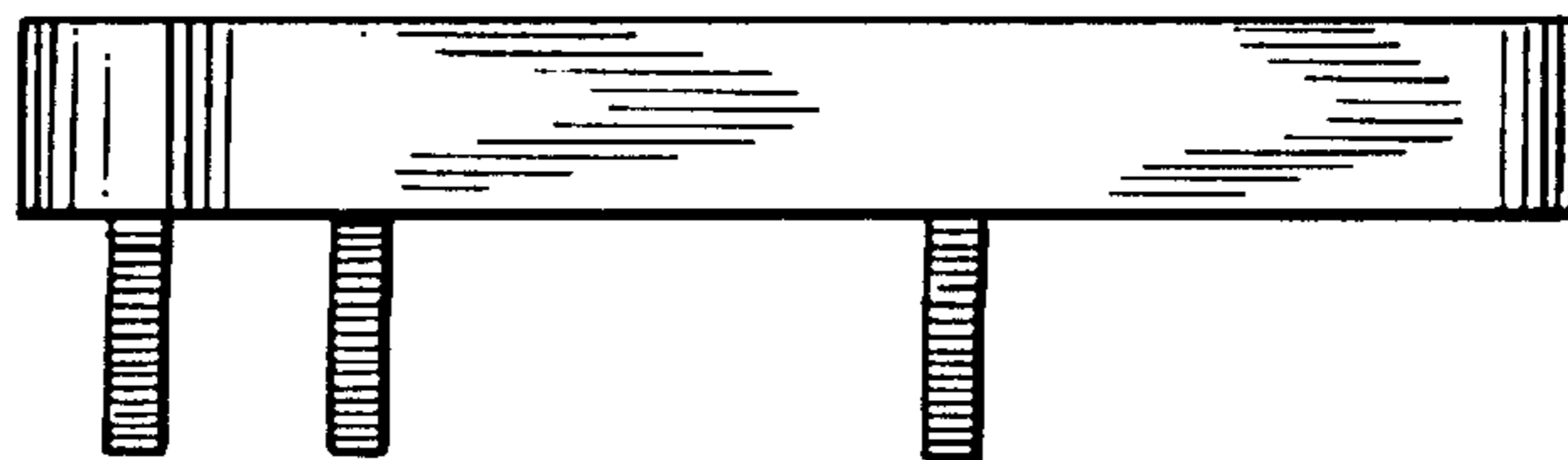


FIG. 4



FIG. 5



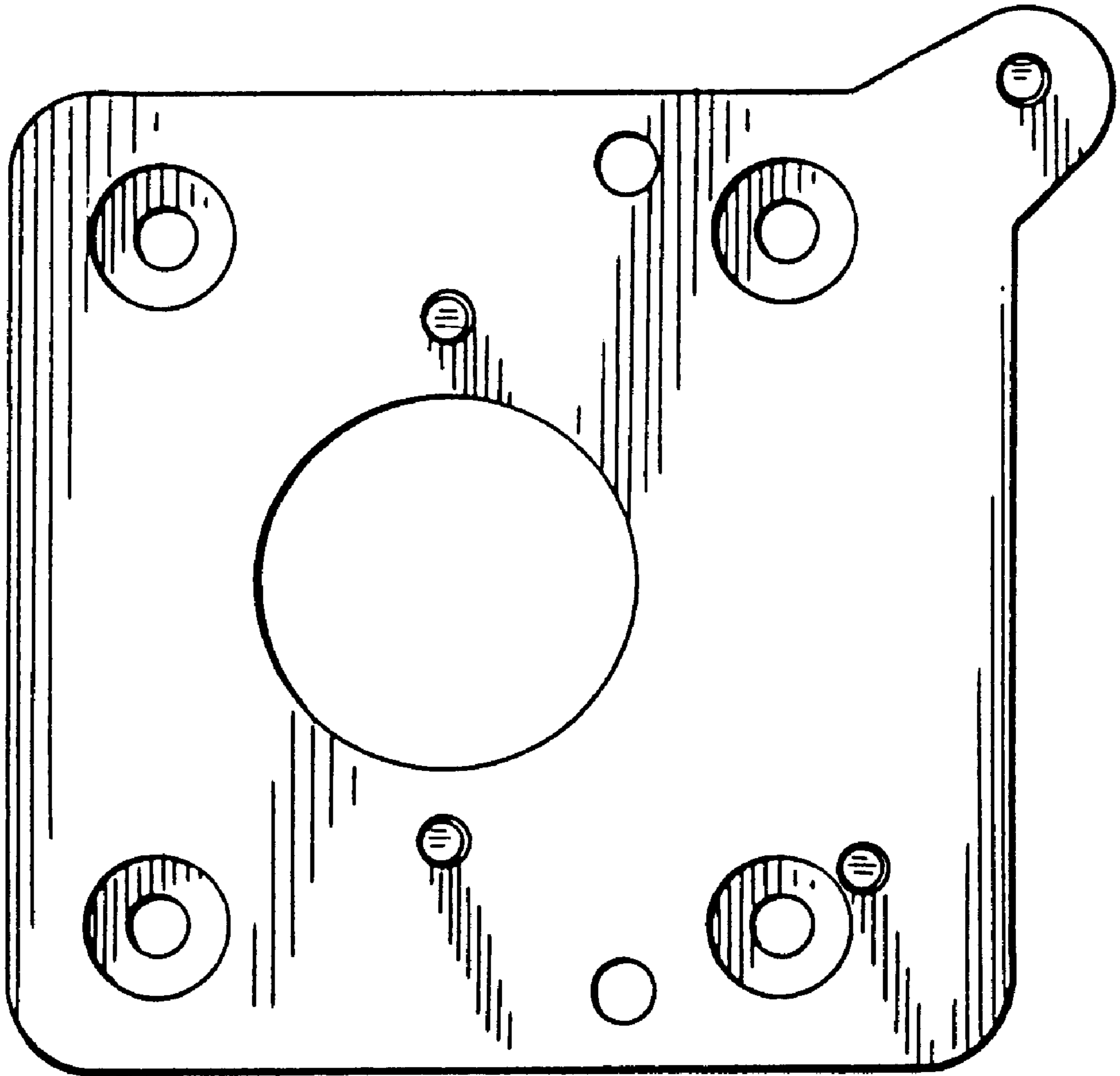


FIG. 6

FIG. 8

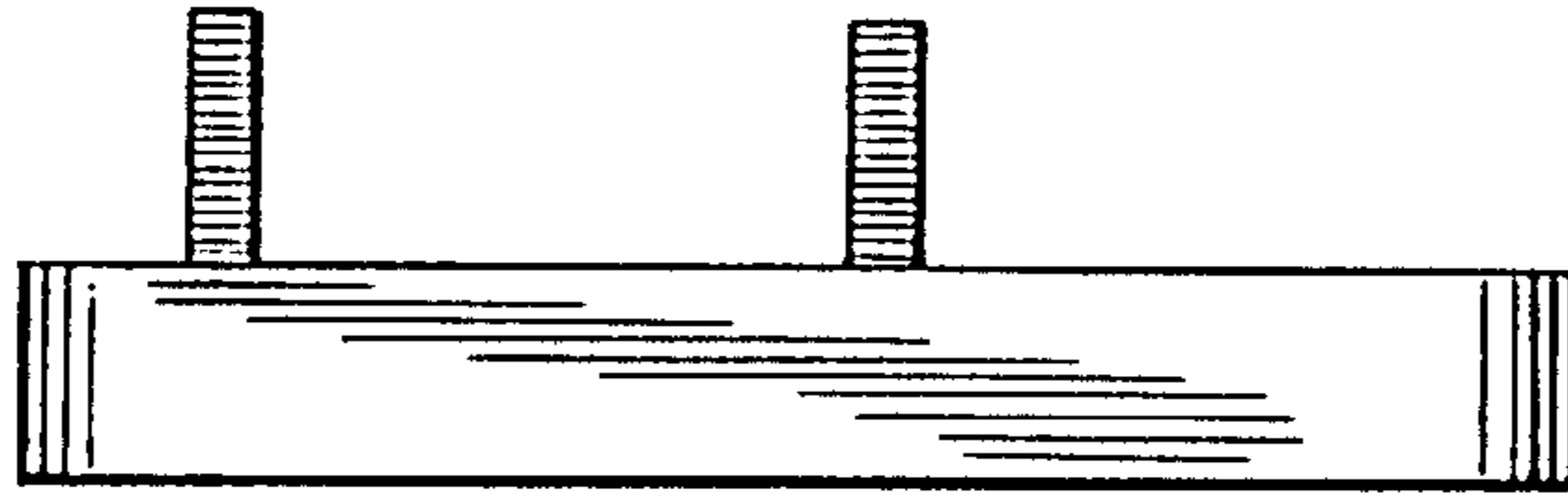


FIG. 9

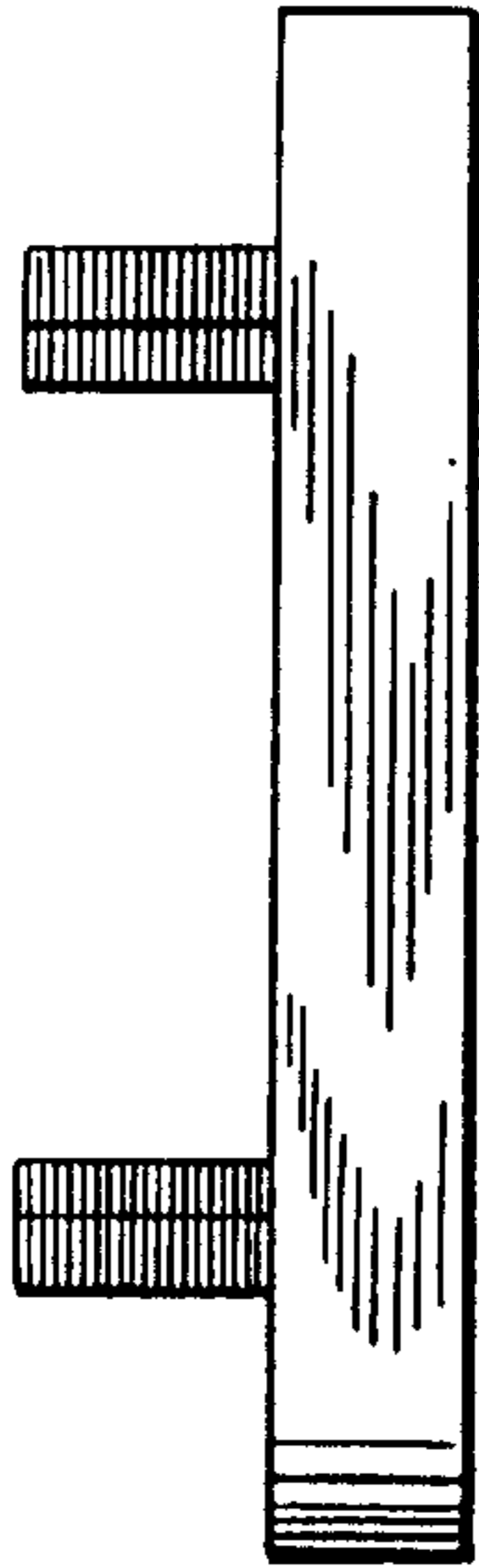


FIG. 7

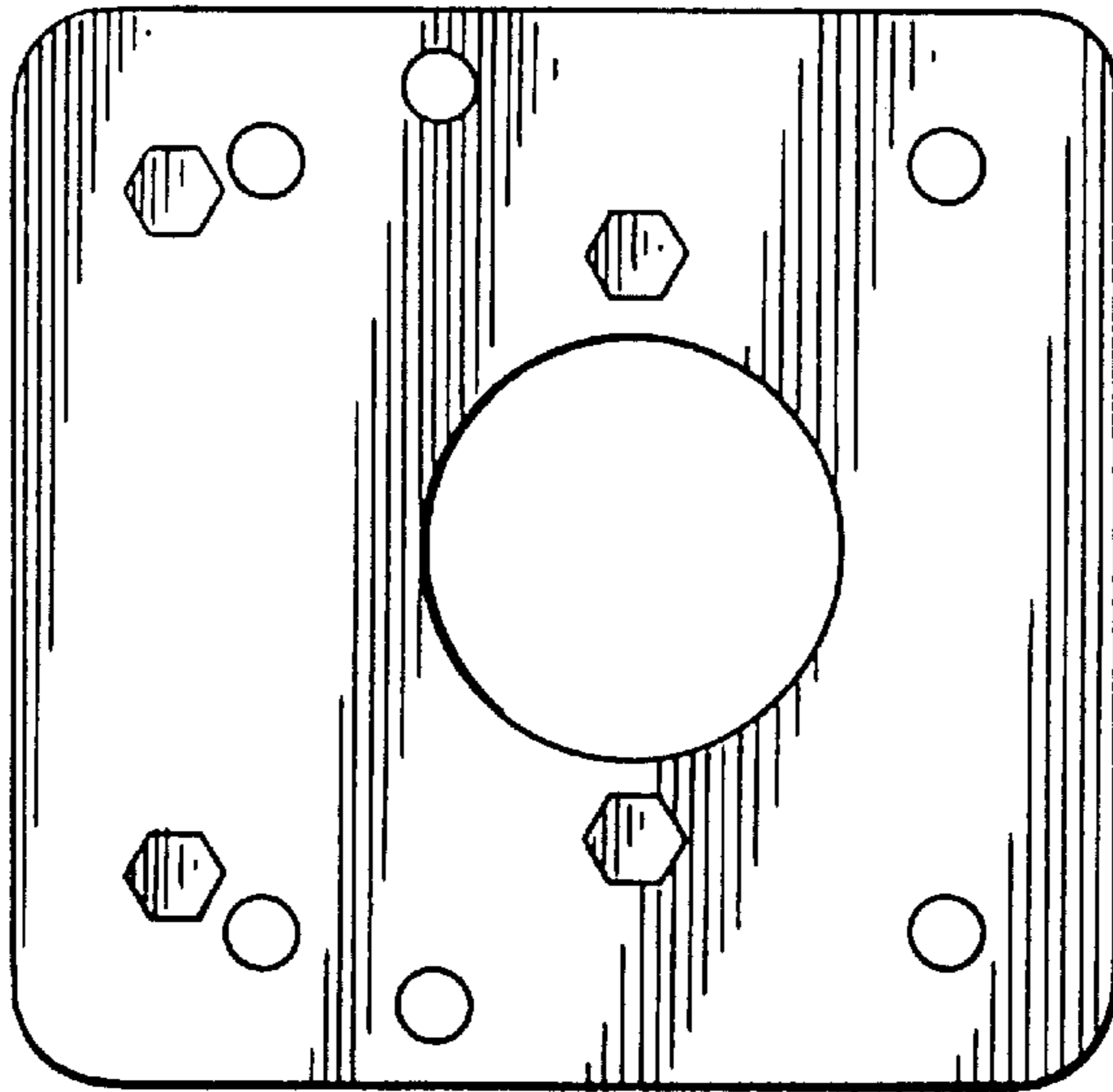


FIG. 10

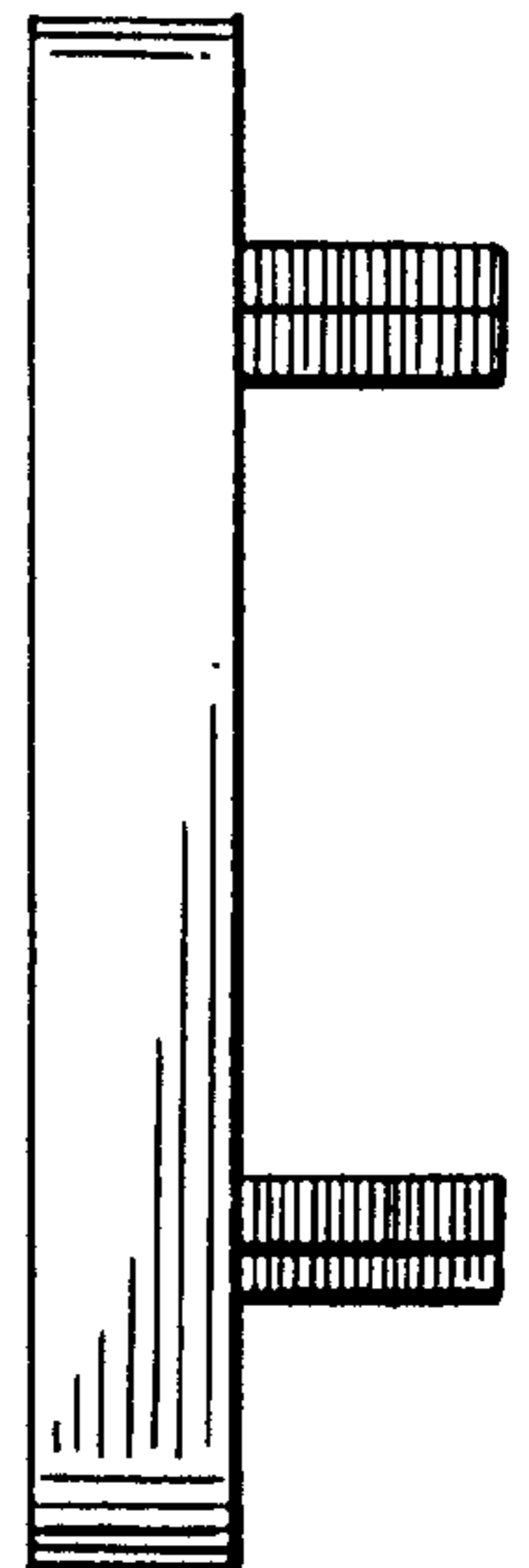
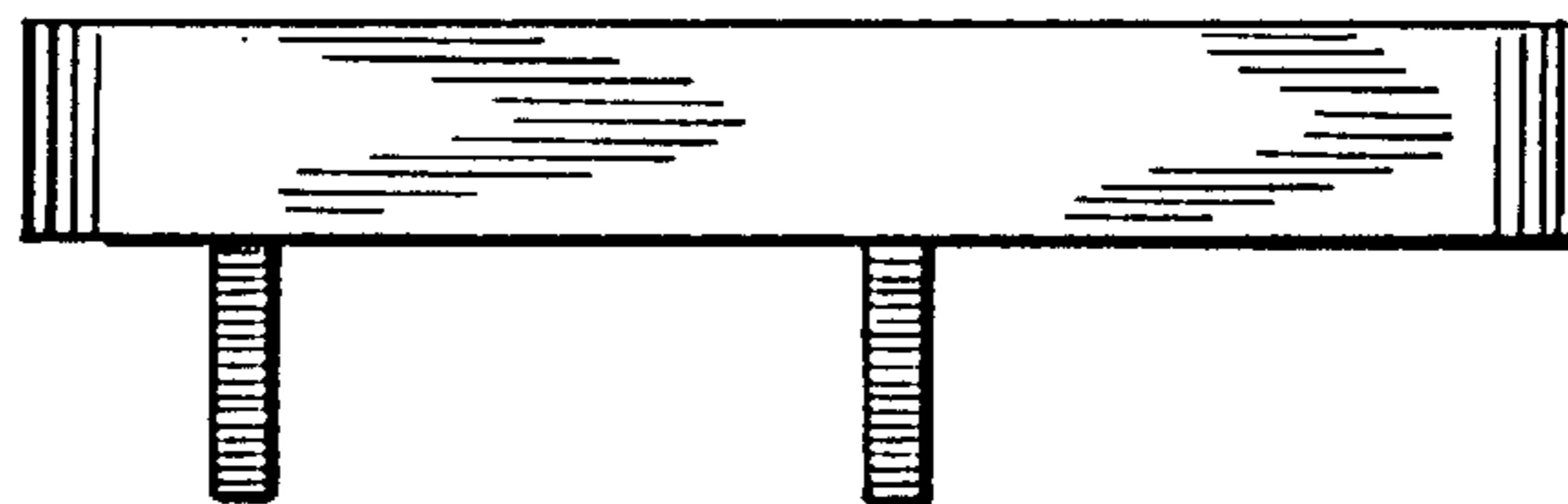


FIG. 11



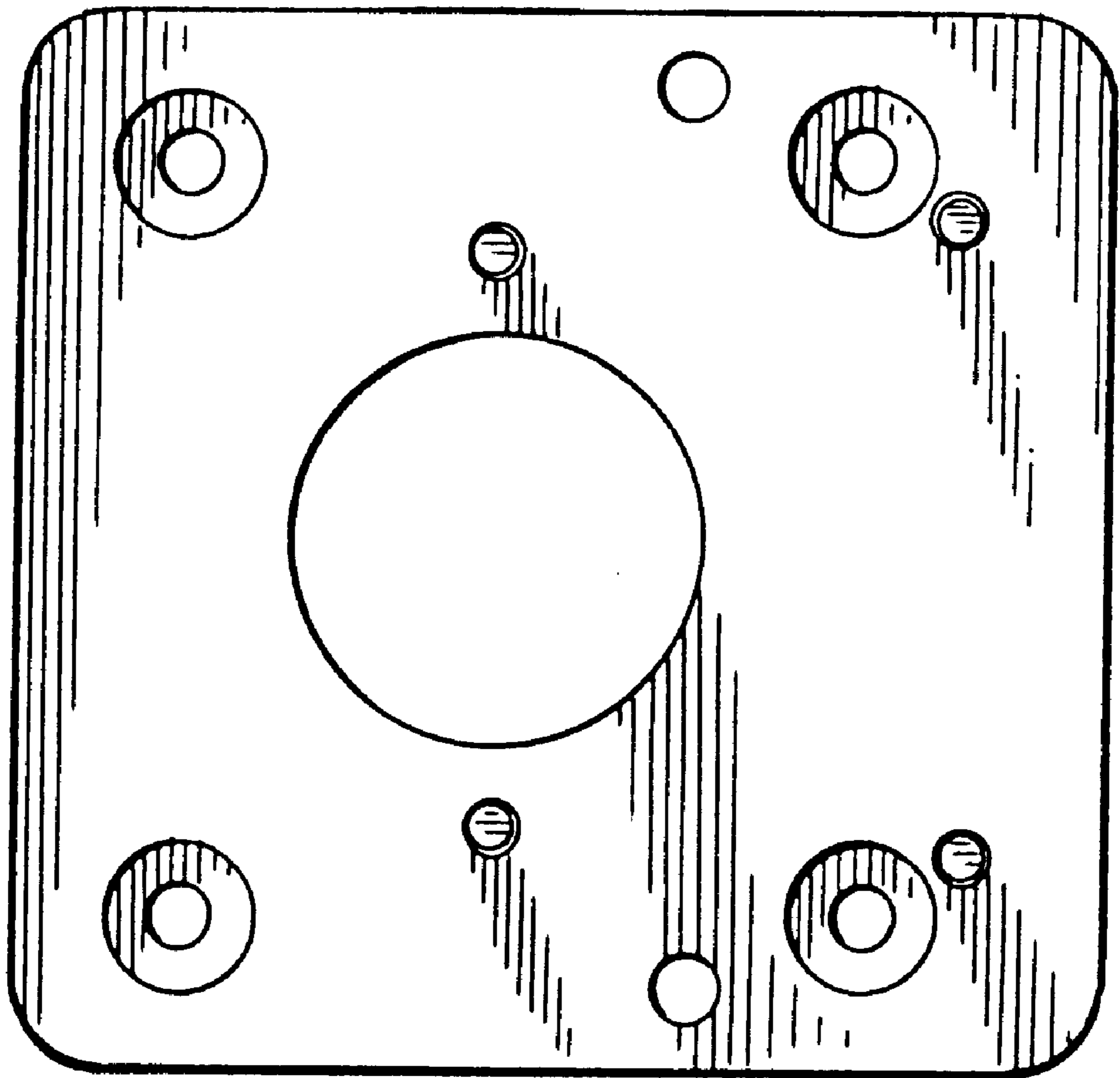


FIG. 12