



US00D422241S

United States Patent [19]

Uematsu et al.

[11] Patent Number: **Des. 422,241**

[45] Date of Patent: **** Apr. 4, 2000**

[54] **MOTOR VEHICLE**

[75] Inventors: **Takahiro Uematsu; Kunio Yoshida; Yuuichi Kushida**, all of Kanagawa, Japan

[73] Assignee: **Isuzu Motors Limited**, Tokyo, Japan

[**] Term: **14 Years**

[21] Appl. No.: **29/106,607**

[22] Filed: **Jun. 21, 1999**

[30] Foreign Application Priority Data

Dec. 22, 1998 [JP] Japan 10-36837

[51] **LOC (6) Cl.** **12-08**

[52] **U.S. Cl.** **D12/91**

[58] **Field of Search** D12/90-93, 86; 296/185

[56] References Cited

U.S. PATENT DOCUMENTS

- D. 374,415 10/1996 Thomson D12/91
- D. 379,945 6/1997 Kawase et al. D12/91
- D. 383,091 9/1997 Sacco et al. D12/91

- D. 396,203 7/1998 Uematsu et al. D12/91
- D. 397,065 8/1998 Uematsu et al. D12/91
- D. 401,185 11/1998 McGovern D12/91
- D. 411,815 7/1999 Yamamoto et al. D12/91

Primary Examiner—Melody N. Brown
Attorney, Agent, or Firm—Sughrue, Mion, Zinn, Macpeak & Seas, PLLC

[57] CLAIM

The ornamental design for a motor vehicle, as shown and described.

DESCRIPTION

FIG. 1 is a perspective view of the top, front and right side of a motor vehicle showing our new design;
 FIG. 2 is a perspective view of the top, rear and right side thereof;
 FIG. 3 is a right side elevational view thereof, the left side being a mirror image thereof with the gas cap cover eliminated;
 FIG. 4 is a top plan view thereof;
 FIG. 5 is a front elevational view thereof;
 FIG. 6 is a rear elevational view thereof; and,
 FIG. 7 is a bottom plan view thereof.

1 Claim, 6 Drawing Sheets

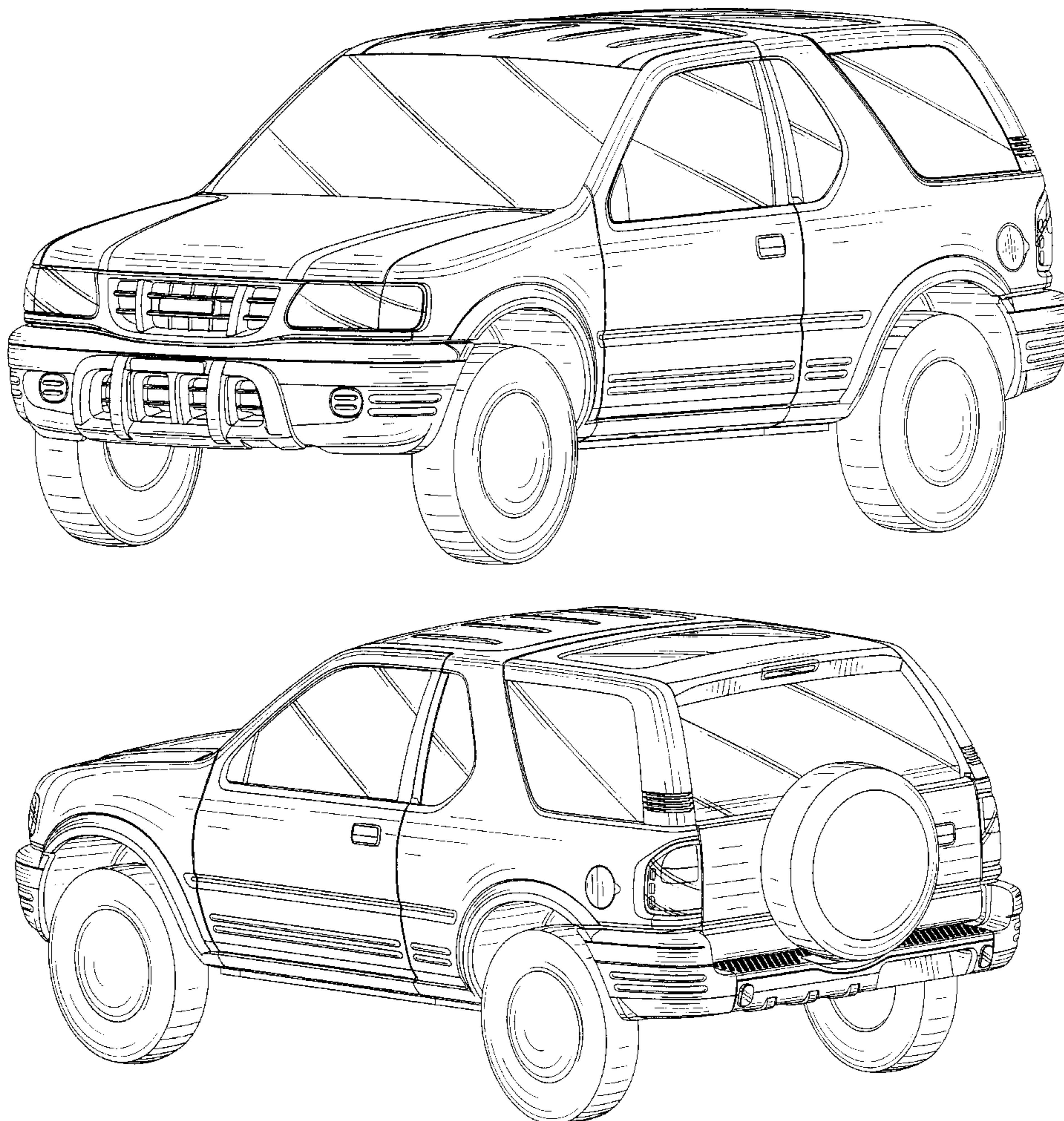


FIG. 1

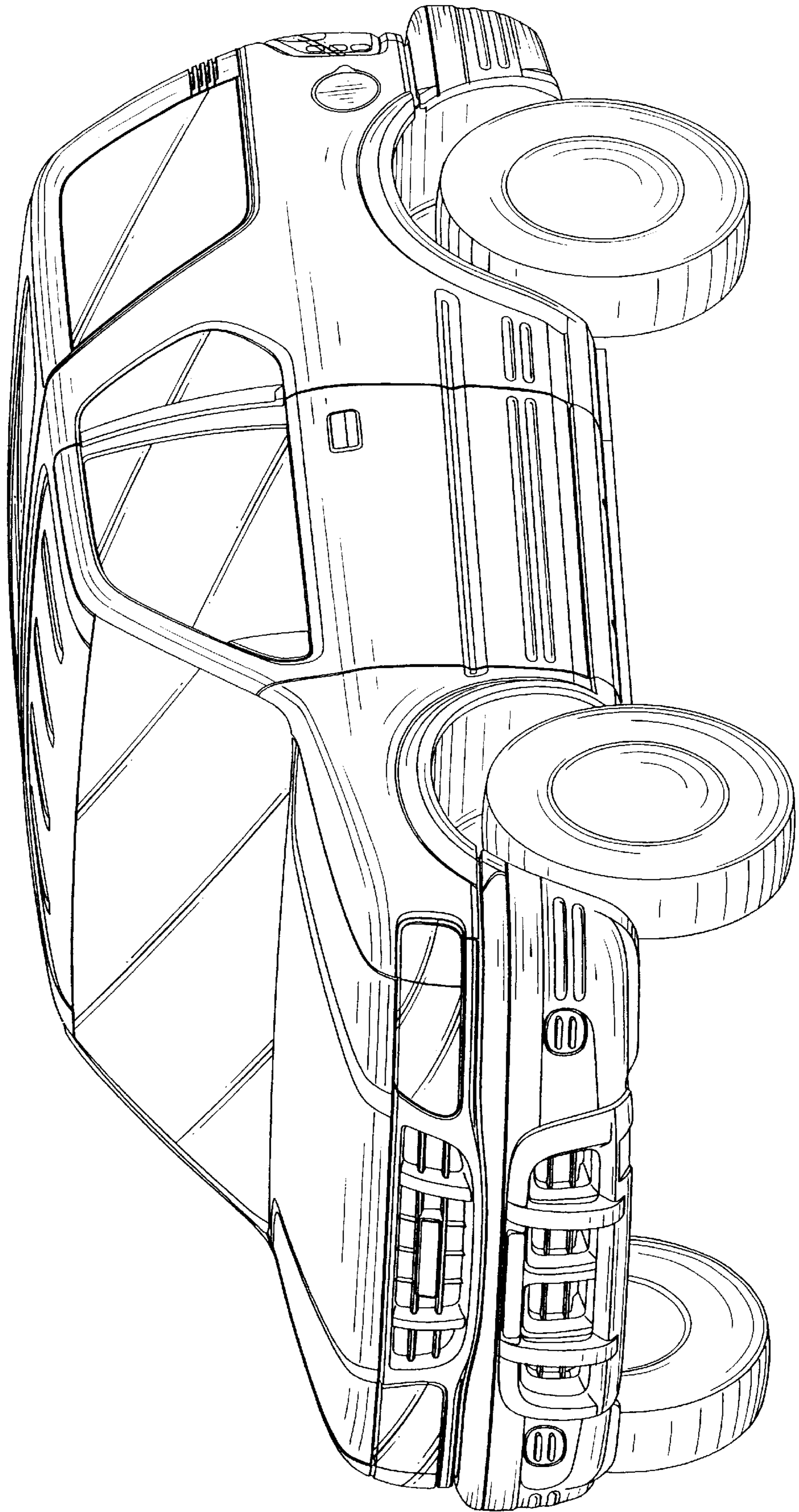


FIG. 2

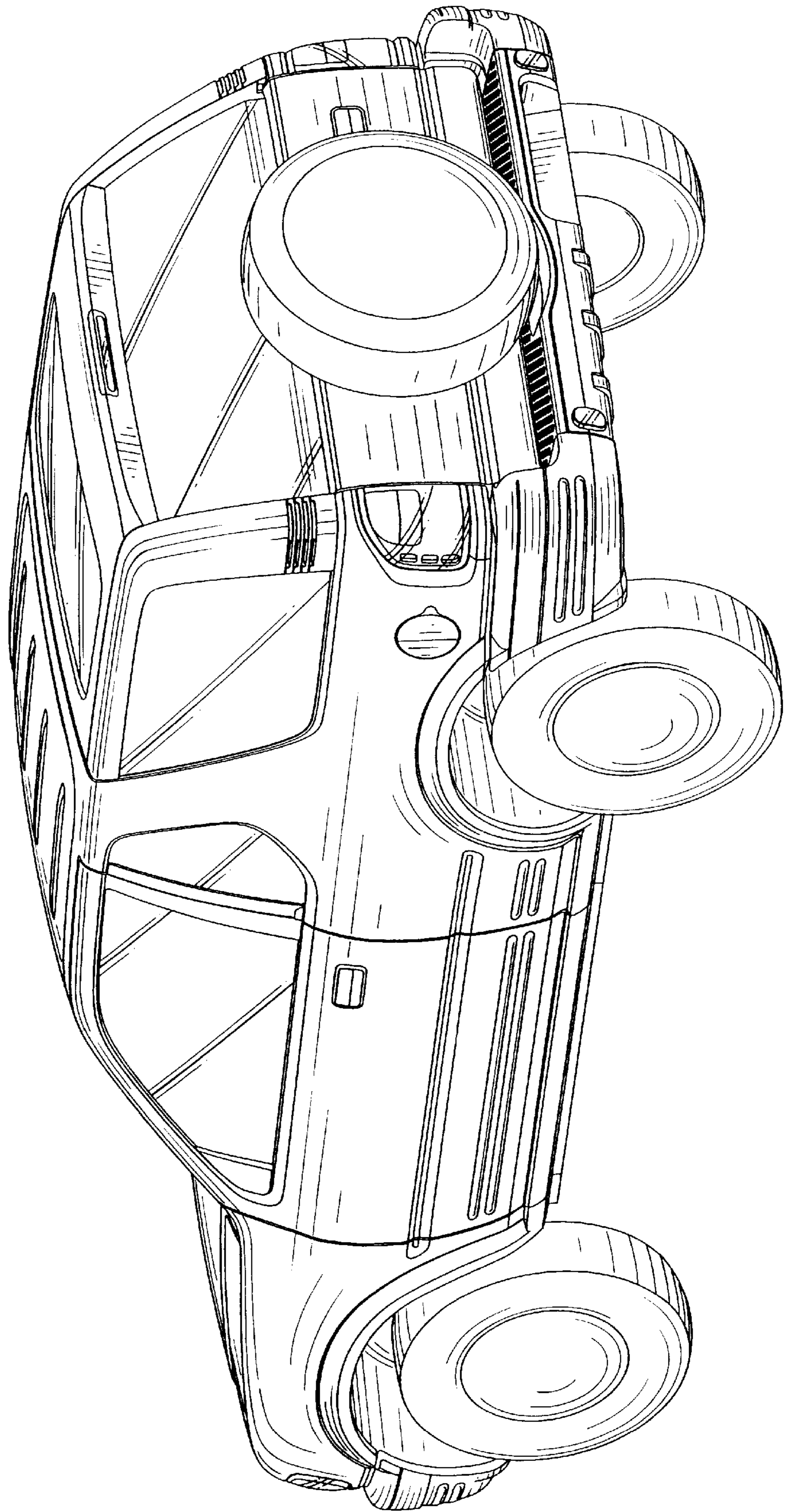


FIG. 3

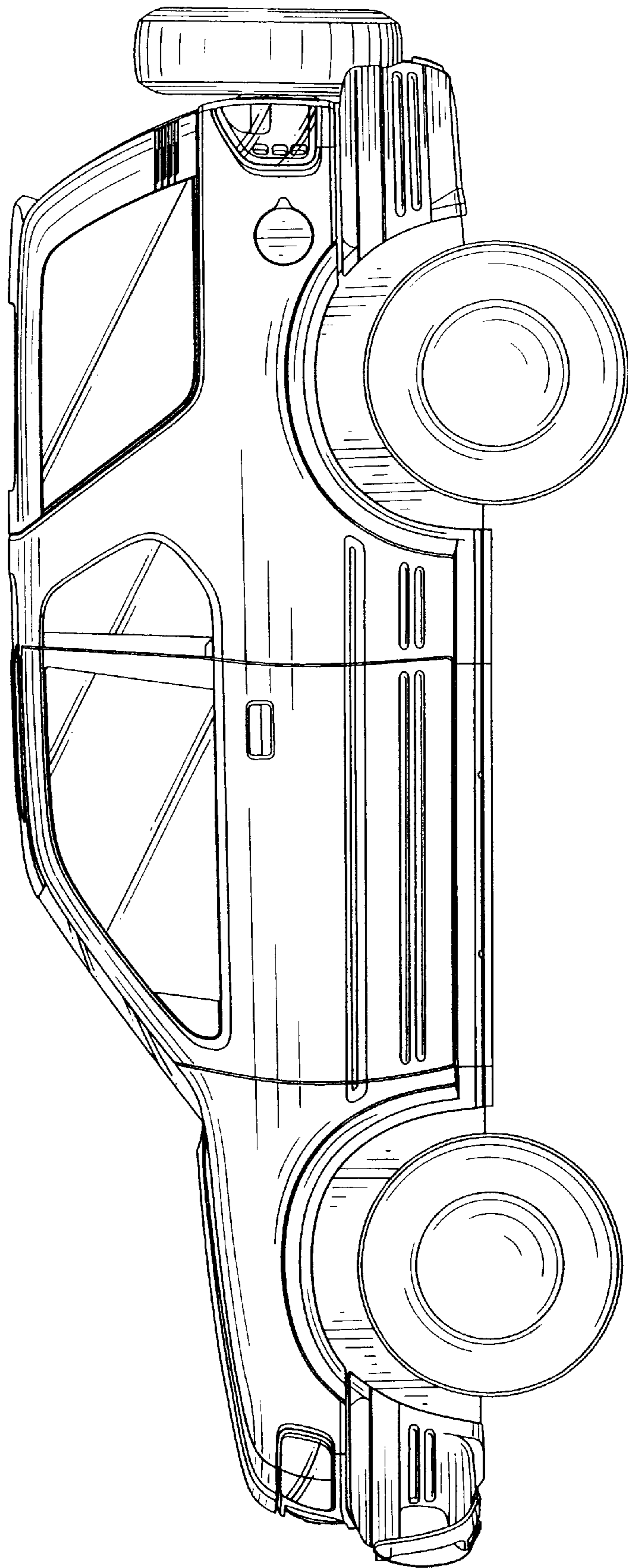


FIG. 4

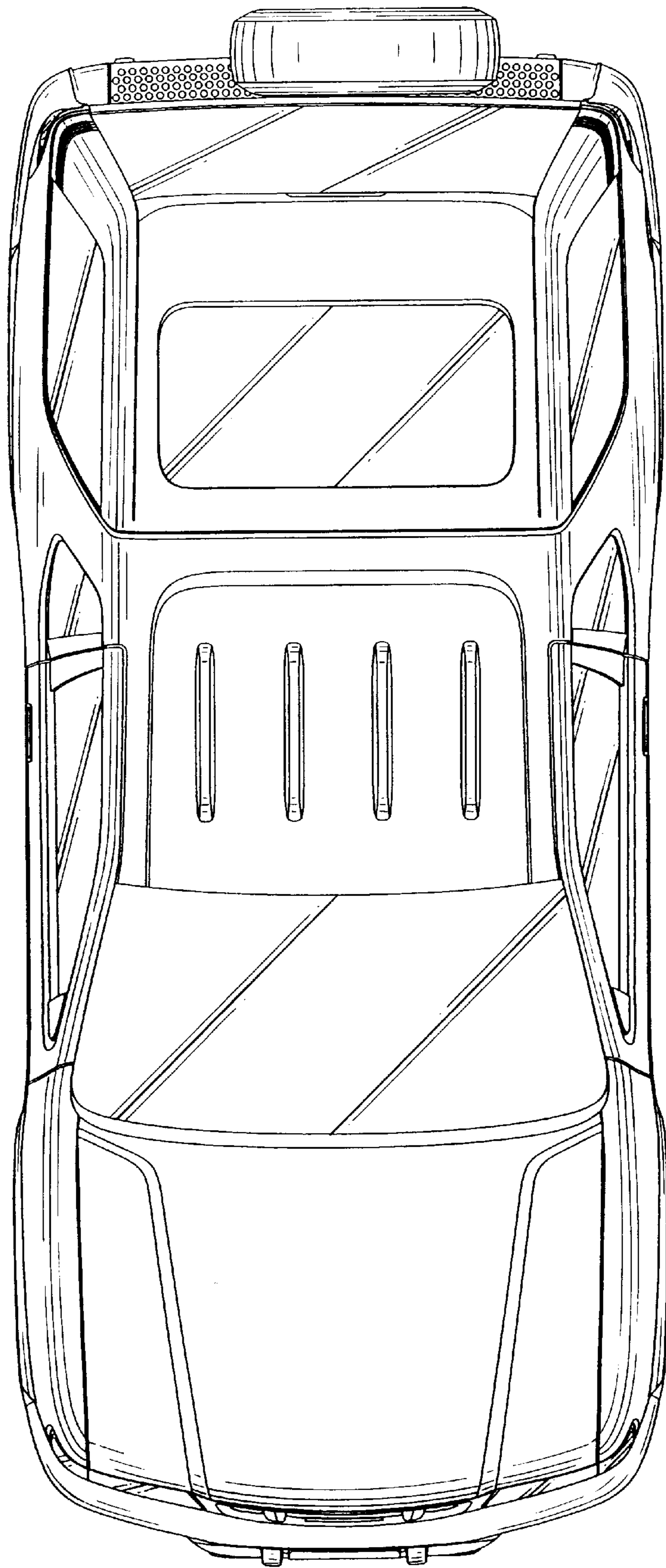


FIG. 6

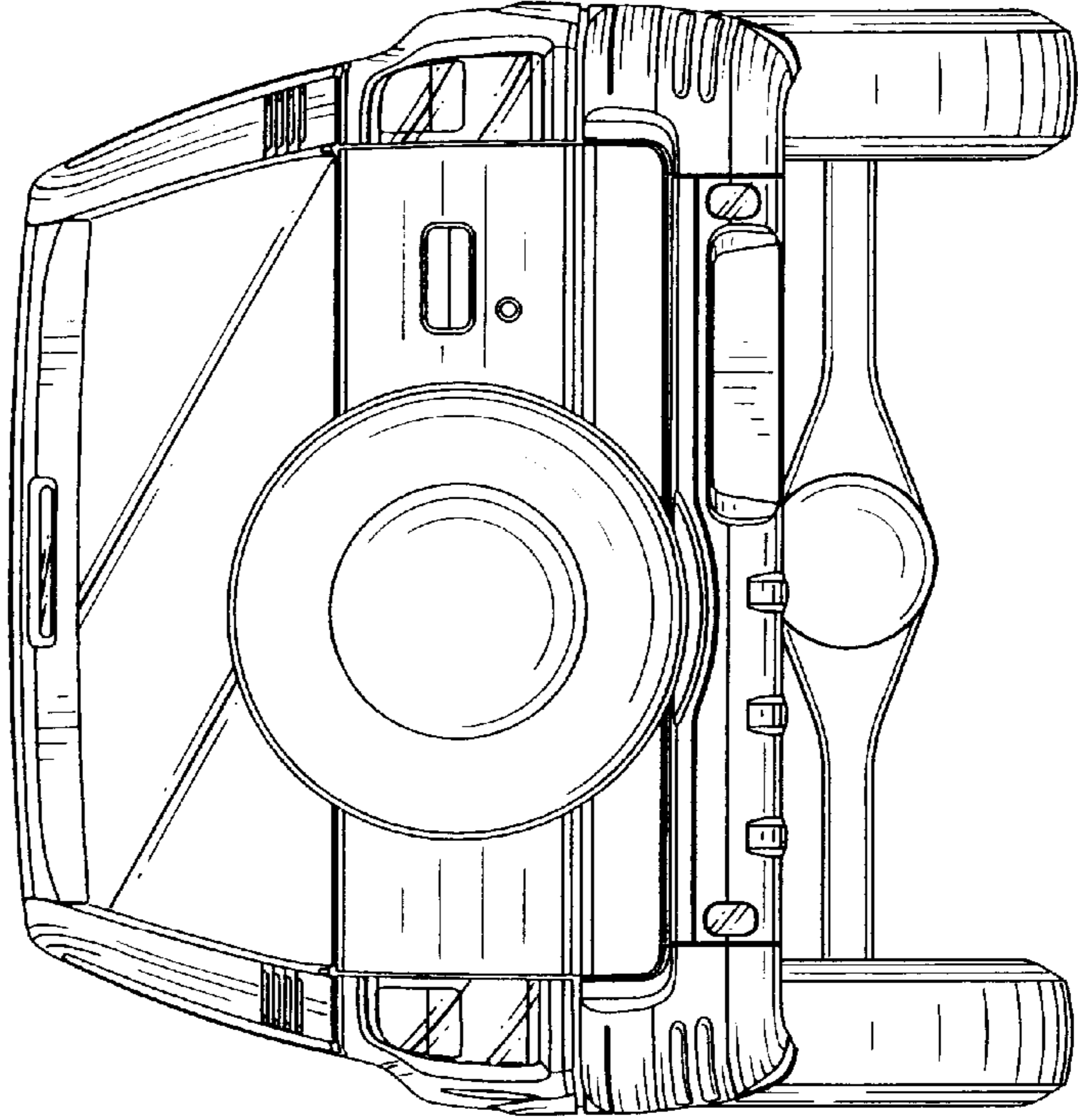


FIG. 5

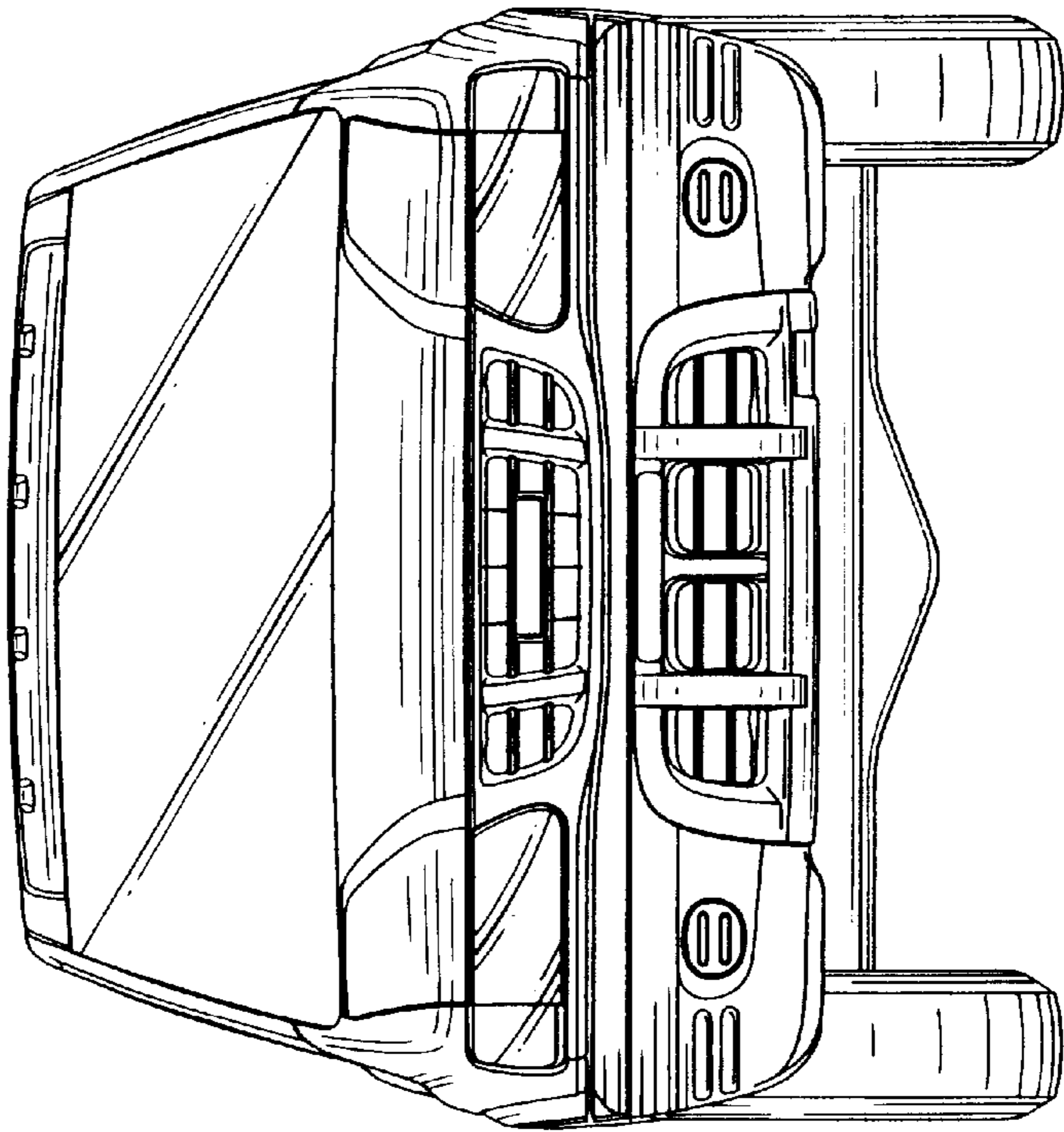


FIG. 7

