



US00D422239S

United States Patent [19]

Deslaurier

[11] Patent Number: **Des. 422,239**

[45] Date of Patent: **** Apr. 4, 2000**

[54] **PLANT DOME**

[76] Inventor: **O. Ernest Deslaurier**, 8527 Coronet Road (62nd Avenue), Edmonton, Alberta, Canada, T6E 4N7

[**] Term: **14 Years**

[21] Appl. No.: **29/100,109**

[22] Filed: **Feb. 4, 1999**

[30] Foreign Application Priority Data

Aug. 26, 1998 [CA] Canada 1998-2062

[51] **LOC (6) Cl.** **11-02**

[52] **U.S. Cl.** **D11/145**

[58] **Field of Search** D11/143-147, D11/152-155; 47/69, 17, 26, 28.1, 29, 30, 65.5; 206/423; D6/470, 471, 403; 248/27.8

[56] References Cited

U.S. PATENT DOCUMENTS

Re. 30,531 3/1981 Spector 47/69

D. 327,663 7/1992 DeMarco D11/145
D. 352,917 11/1994 DesLaurier D11/155
1,975,752 10/1934 Chase et al. 47/69

Primary Examiner—Jeffrey Asch
Assistant Examiner—Linda Brooks
Attorney, Agent, or Firm—Jones, Tullar & Cooper, PC

[57] CLAIM

The ornamental design for a plant dome, as shown and described.

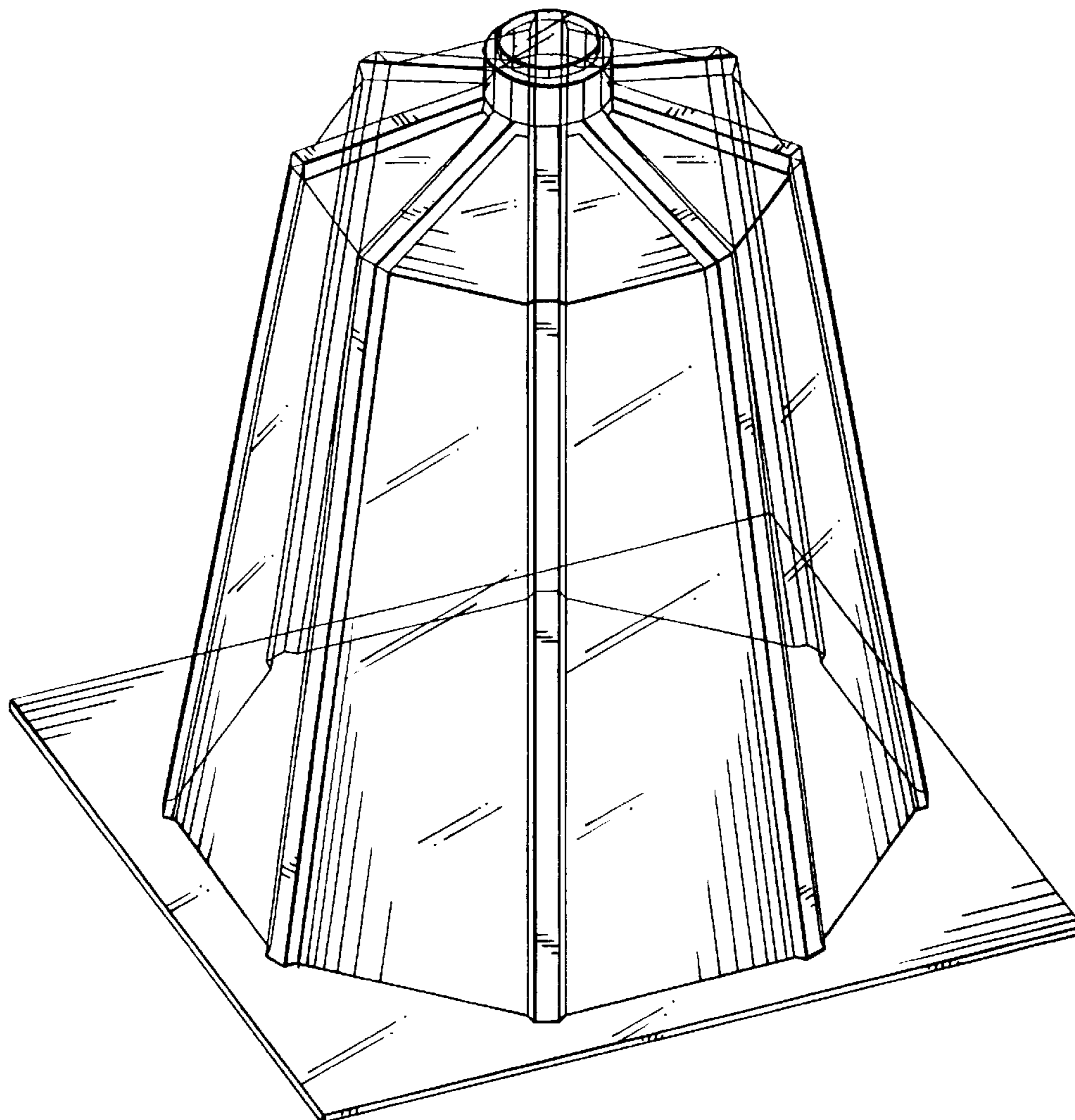
DESCRIPTION

FIG. 1 is a perspective view of the plant dome showing my new design.

FIG. 2 is a top plan view of the plant dome, the bottom plan view being identical in view of the frustoconical nature of the plant dome; and,

FIG. 3 is a side elevational view of the plant dome looking at one of the vertically extending ribs thereof.

1 Claim, 3 Drawing Sheets



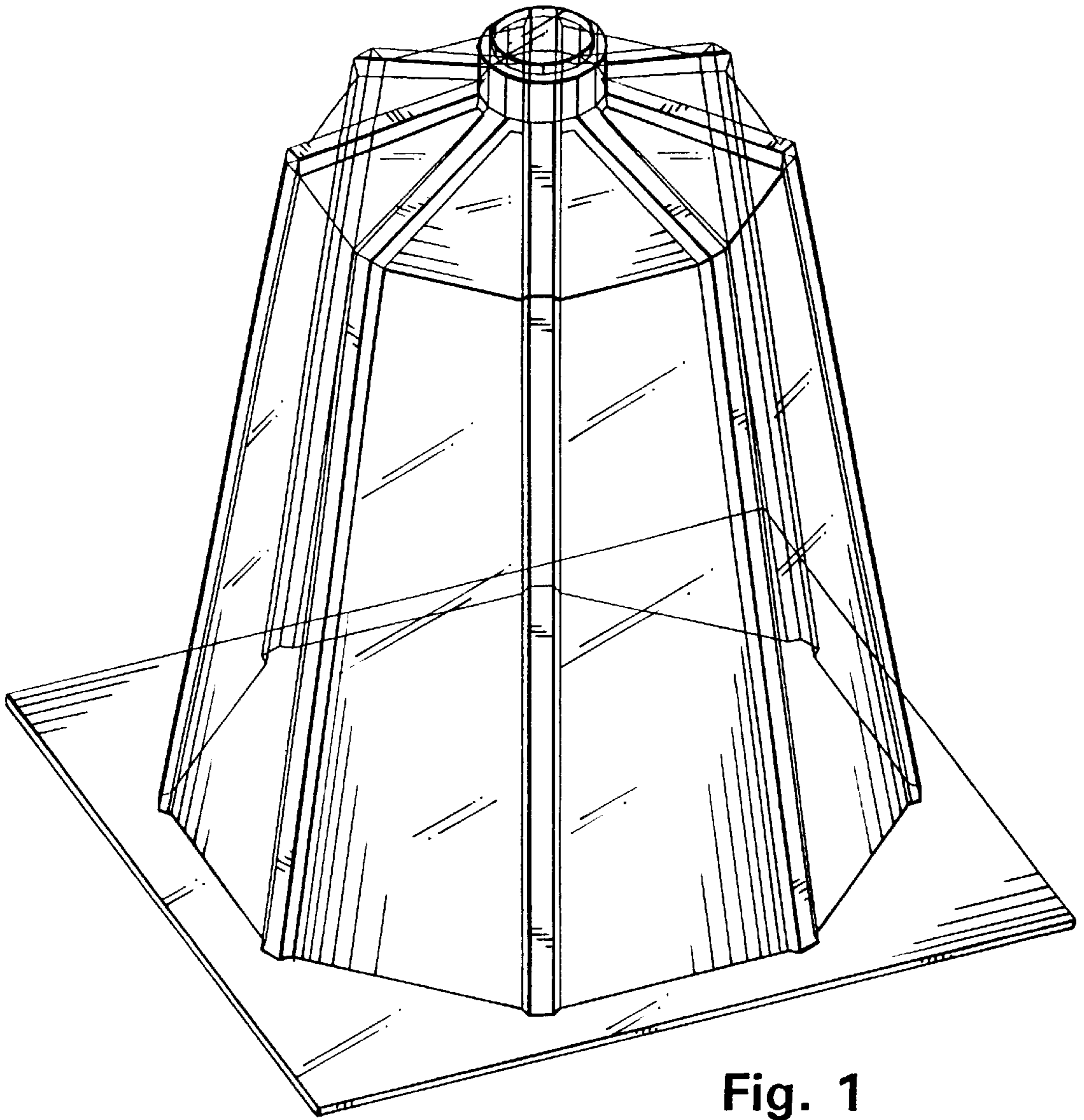


Fig. 1

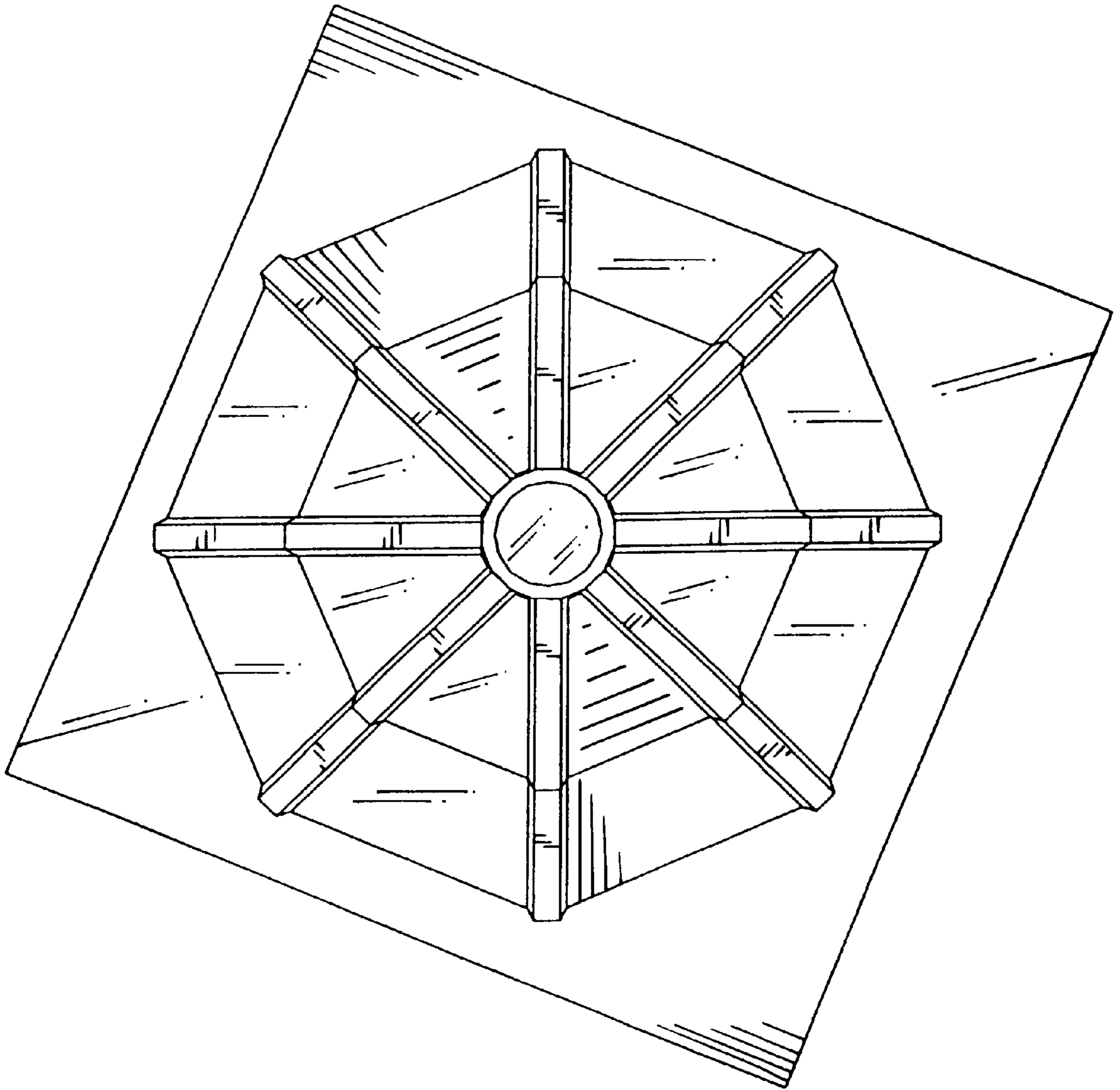


Fig. 2

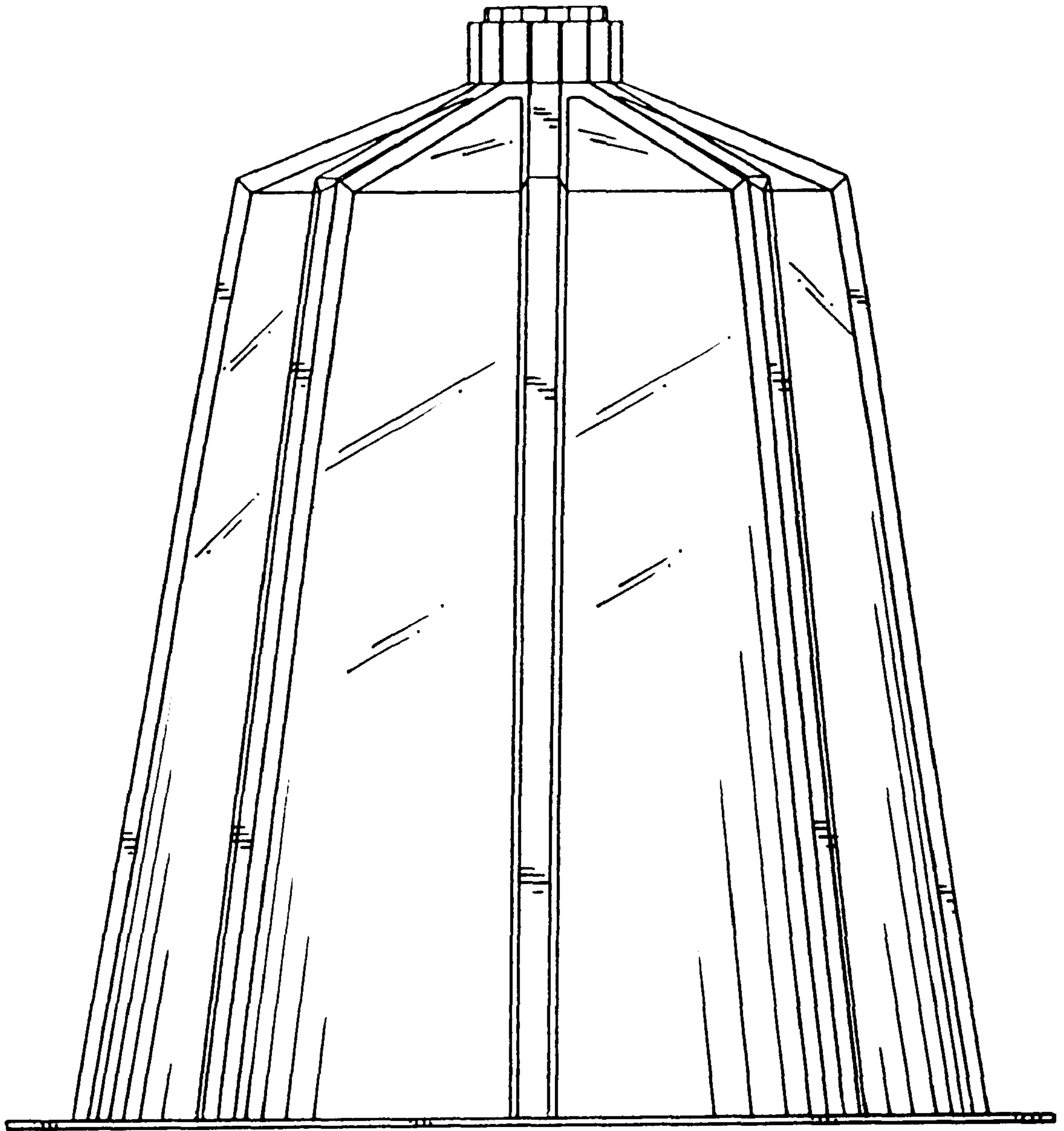


Fig. 3