



US00D422238S

**United States Patent** [19]  
**Freilich**

[11] **Patent Number: Des. 422,238**

[45] **Date of Patent: \*\* Apr. 4, 2000**

[54] **GEM CUT**

[75] Inventor: **Joseph Freilich**, Old Westbury, N.Y.

[73] Assignee: **M. Fabrikant & Sons, Ltd.**, New York, N.Y.

[\*\*] Term: **14 Years**

[21] Appl. No.: **29/100,287**

[22] Filed: **Feb. 8, 1999**

D. 48,644 2/1916 Miller ..... D11/90  
D. 85,505 11/1931 Zell ..... D11/90  
D. 360,376 7/1995 Kaplan ..... D11/90  
2,009,390 7/1935 Bayardi ..... 63/32

*Primary Examiner*—Ralf Seifert  
*Attorney, Agent, or Firm*—Levisohn, Lerner, Berger & Langsam

**Related U.S. Application Data**

[63] Continuation-in-part of application No. 08/712,812, Sep. 12, 1996, Pat. No. 5,761,929.

[51] **LOC (6) Cl.** ..... **11-01**

[52] **U.S. Cl.** ..... **D11/90**

[58] **Field of Search** ..... D11/1, 2, 28, 89,  
D11/90, 91, 15–15.8, 26–39; 63/3, 32,  
35, 36, 15, 12

[56] **References Cited**

**U.S. PATENT DOCUMENTS**

D. 46,735 12/1914 Heller ..... D11/90

[57] **CLAIM**

I claim the ornamental design for a gem cut, as shown and described.

**DESCRIPTION**

FIG. 1 is a top plan view of a gem cut showing my new design;

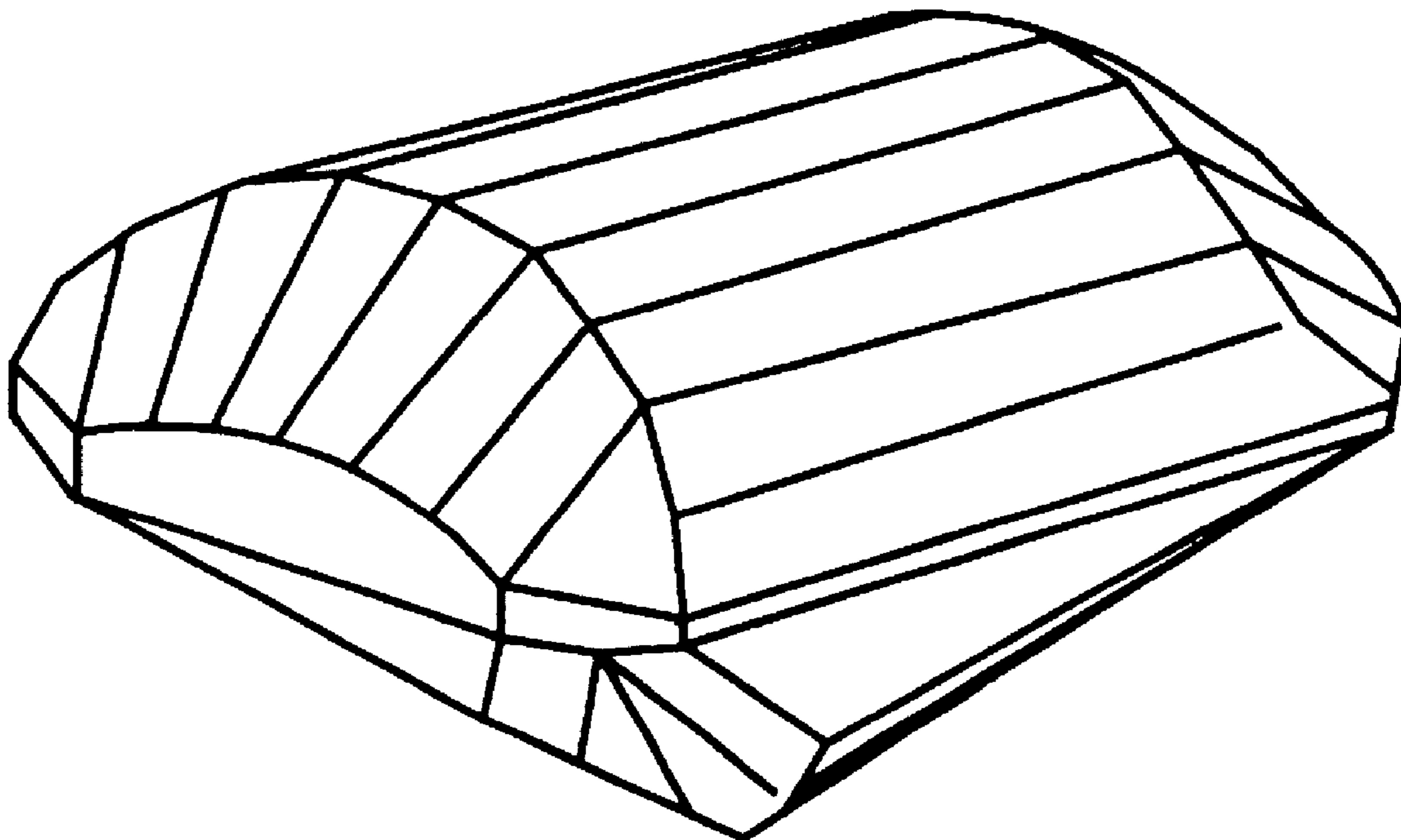
FIG. 2 is a bottom plan view;

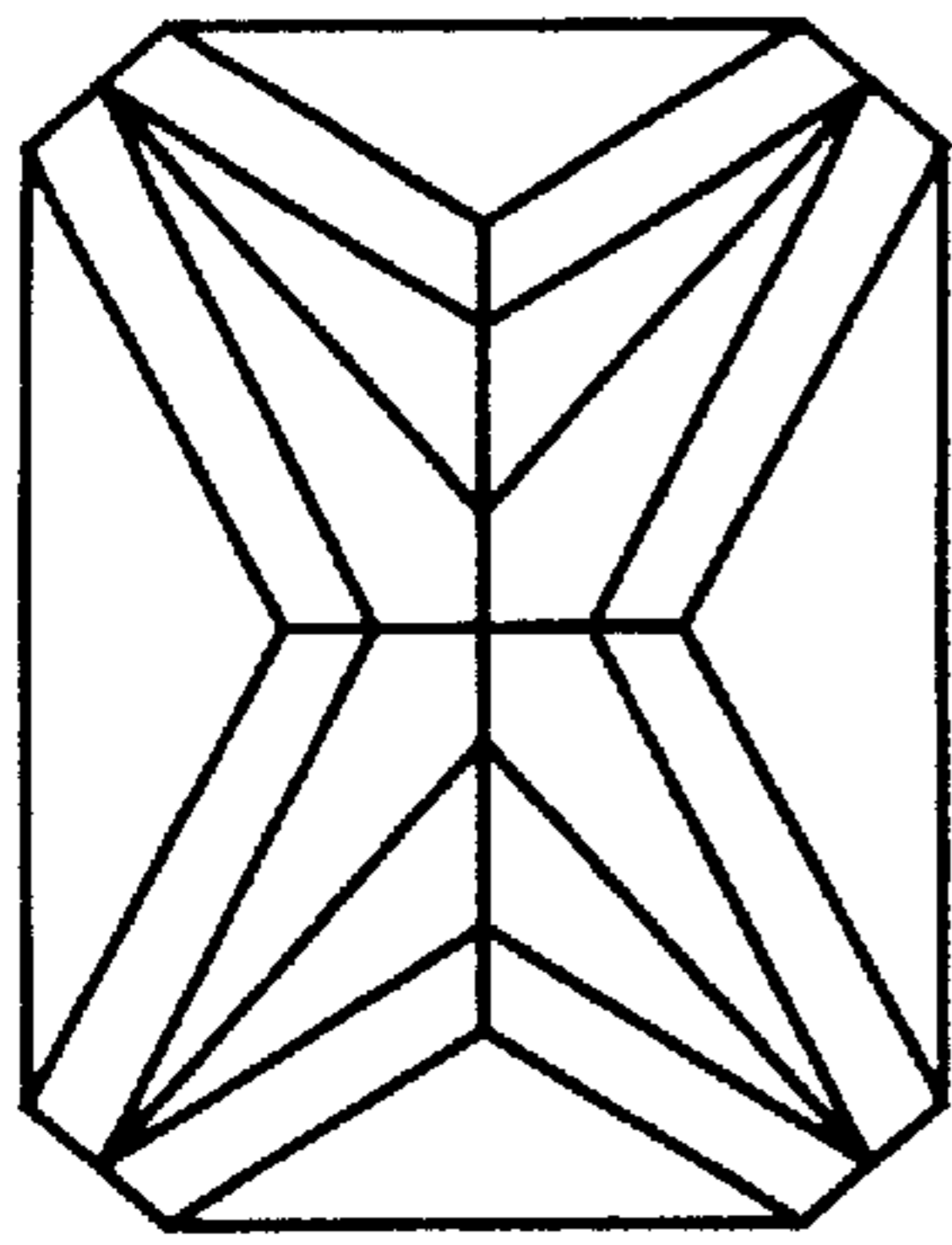
FIG. 3 is a front elevational view, the rear elevational view being the same;

FIG. 4 is a right side elevational view, the left side elevational view being a mirror image; and,

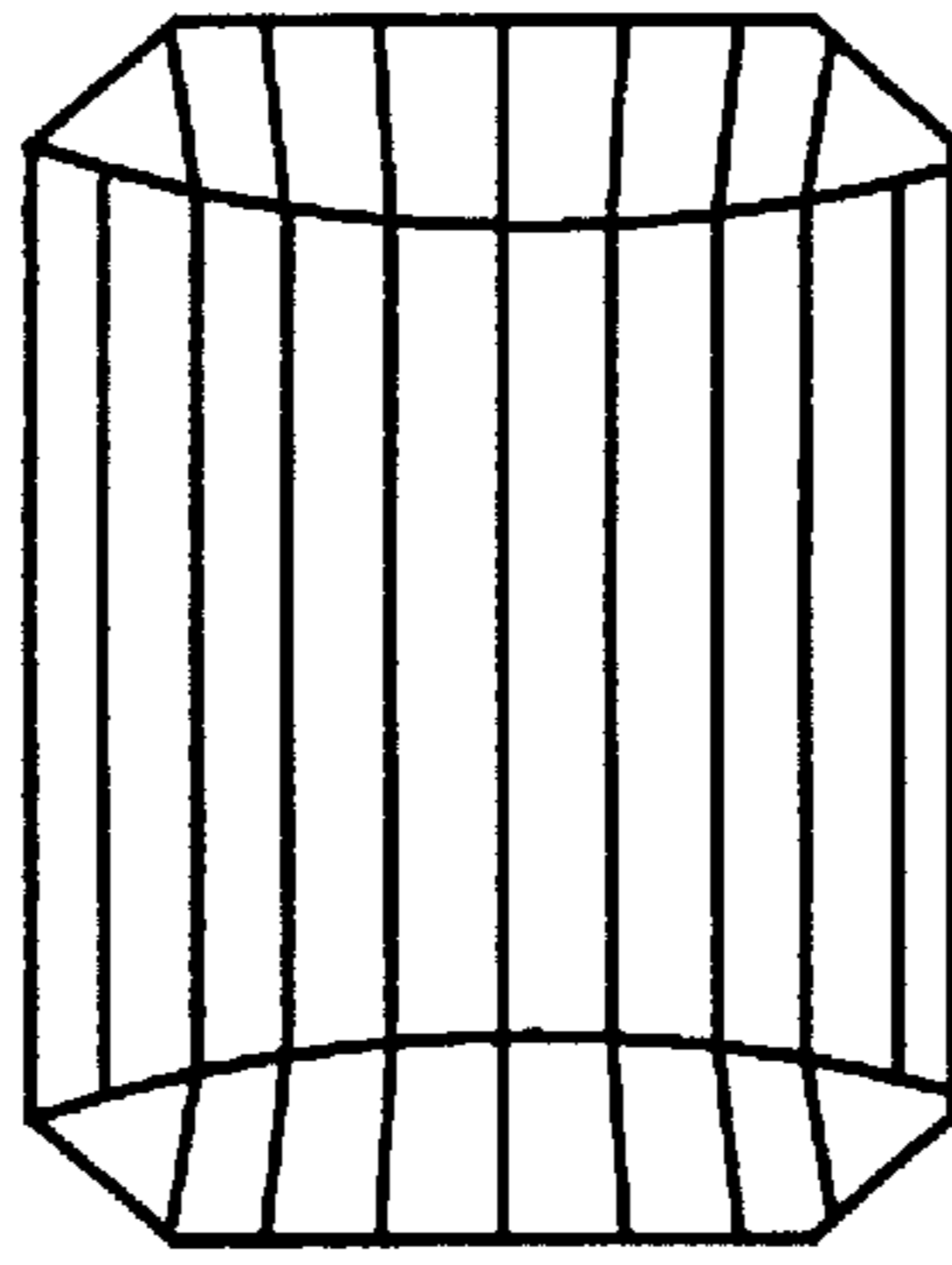
FIG. 5 is a perspective view.

**1 Claim, 1 Drawing Sheet**

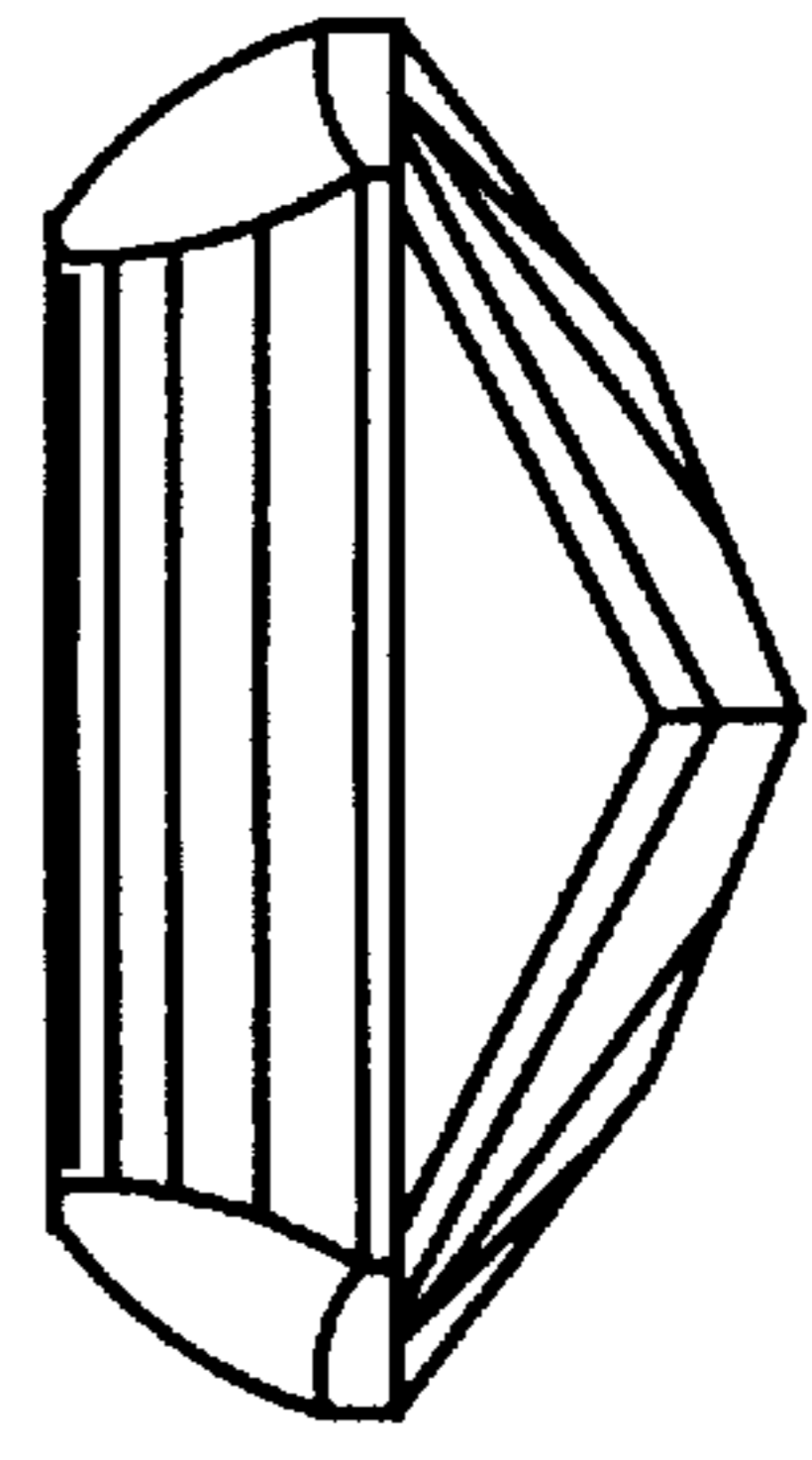




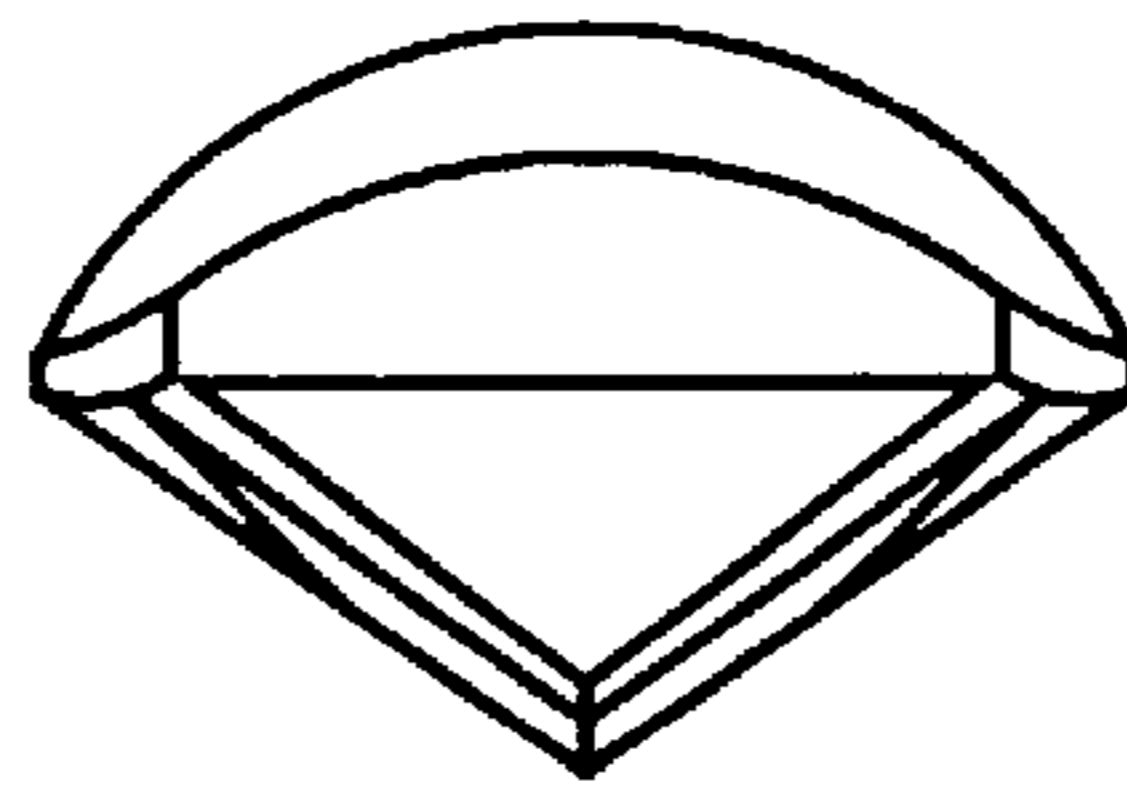
*FIG. 2*



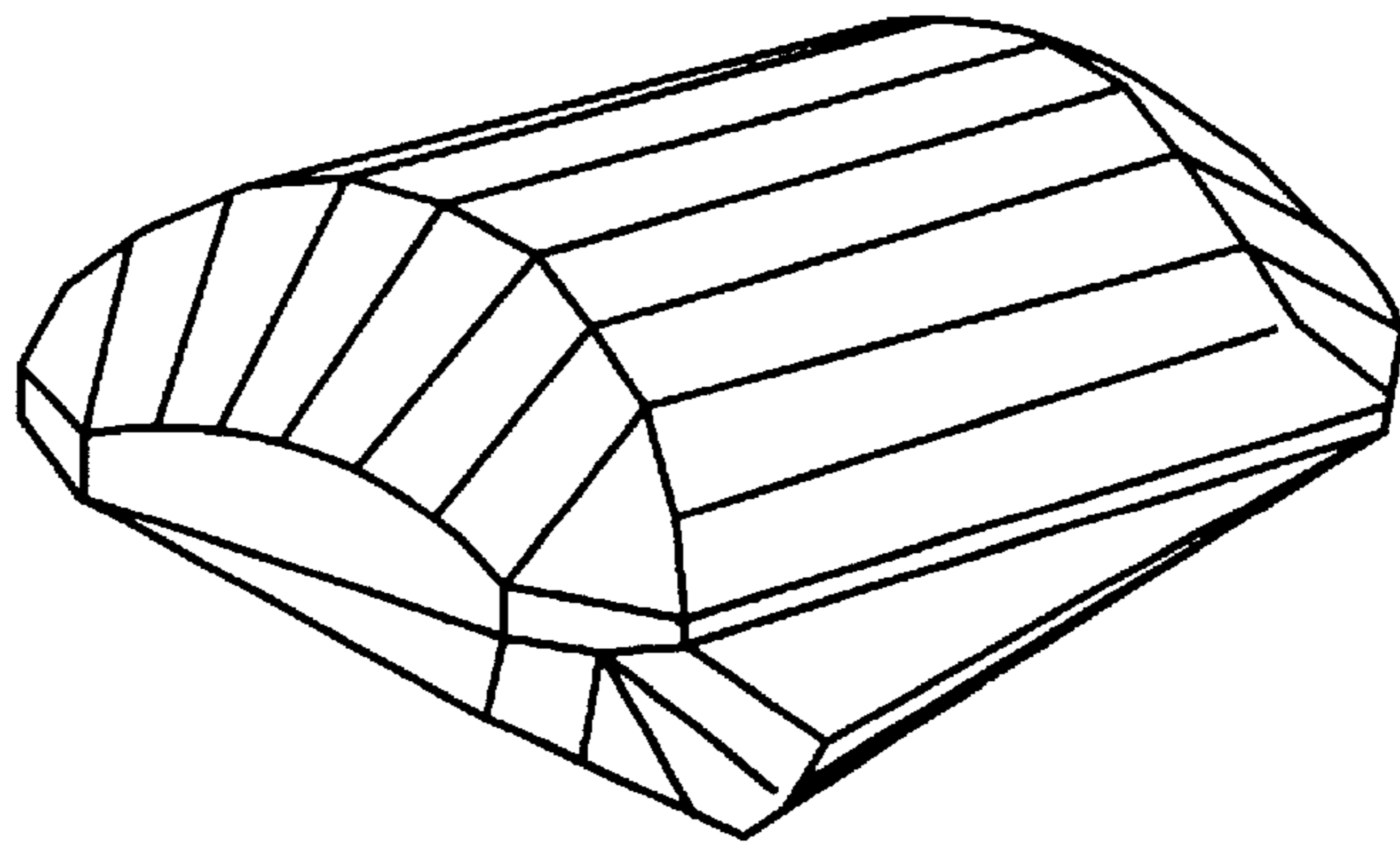
*FIG. 1*



*FIG. 3*



*FIG. 4*



*FIG. 5*