



US00D422230S

**United States Patent** [19]  
**Johnston**

[11] **Patent Number: Des. 422,230**

[45] **Date of Patent: \*\* Apr. 4, 2000**

[54] **COAXIAL TEST PROBE**

[75] Inventor: **Charles J. Johnston**, Walnut, Calif.

[73] Assignee: **Delaware Capital Formation, Inc.**,  
Wilmington, Del.

[\*\*] Term: **14 Years**

[21] Appl. No.: **29/093,915**

[22] Filed: **Sep. 22, 1998**

[51] **LOC (6) Cl.** ..... **10-04**

[52] **U.S. Cl.** ..... **D10/80; D13/151**

[58] **Field of Search** ..... **D10/78, 80; D13/133,**  
**D13/151; 324/72.5, 149, 754; 439/65, 70,**  
**912**

[56] **References Cited**

**U.S. PATENT DOCUMENTS**

D. 343,802	2/1994	Kornowski et al.	.....	D10/80
D. 395,016	6/1998	Kornowski et al.	.....	D10/80
4,764,722	8/1988	Coughlin et al.	.....	324/72.5

*Primary Examiner*—Antoine Duval Davis  
*Attorney, Agent, or Firm*—Christie, Parker & Hale, LLP

[57] **CLAIM**

The ornamental design for coaxial test probe, as shown and described.

**DESCRIPTION**

FIG. 1 is a perspective view of the coaxial test probe showing the new design;

FIG. 2 is a top elevational view of the embodiment of FIG. 1;

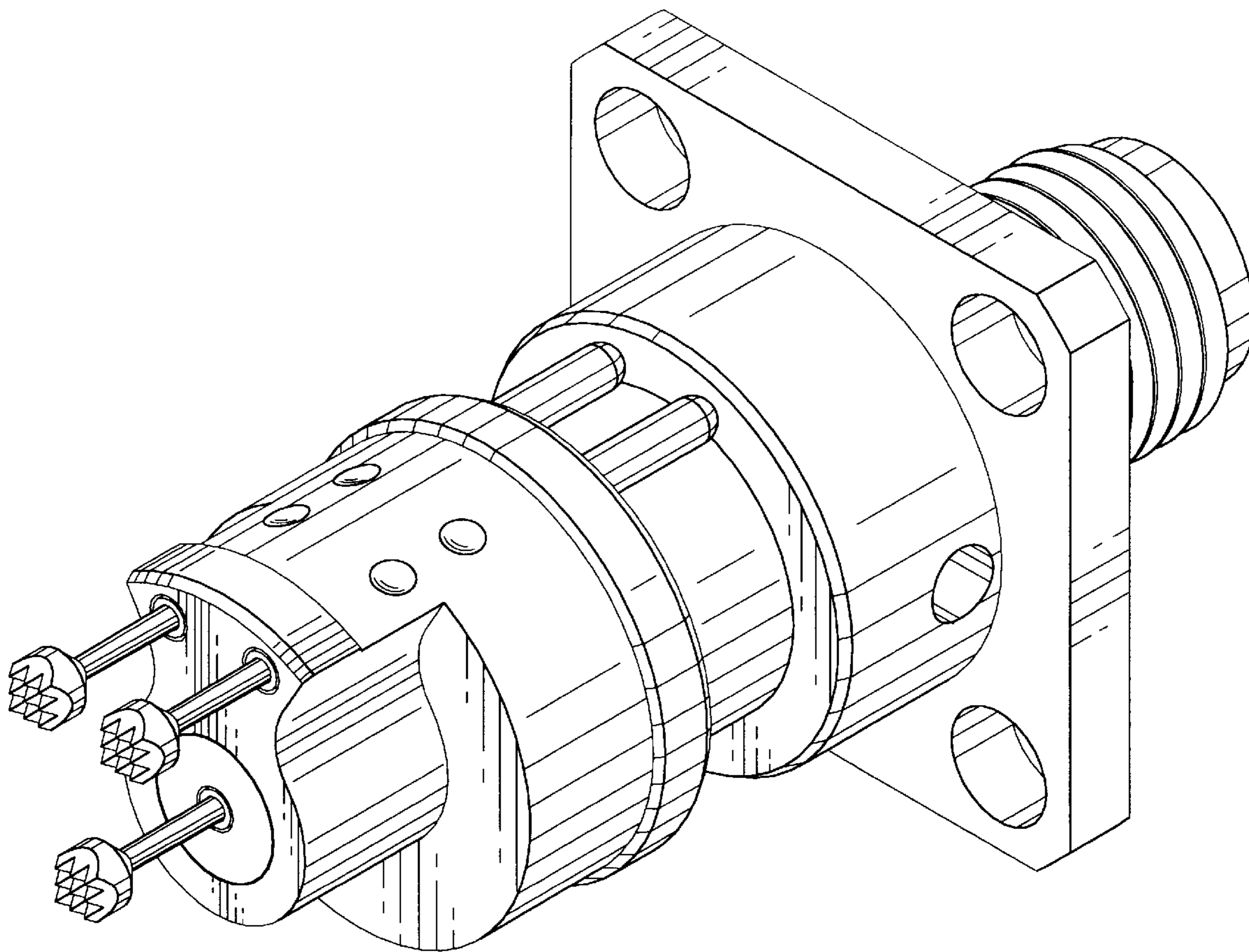
FIG. 3 is a left side elevational view of the embodiment of FIG. 1, the right side being a mirror image thereof;

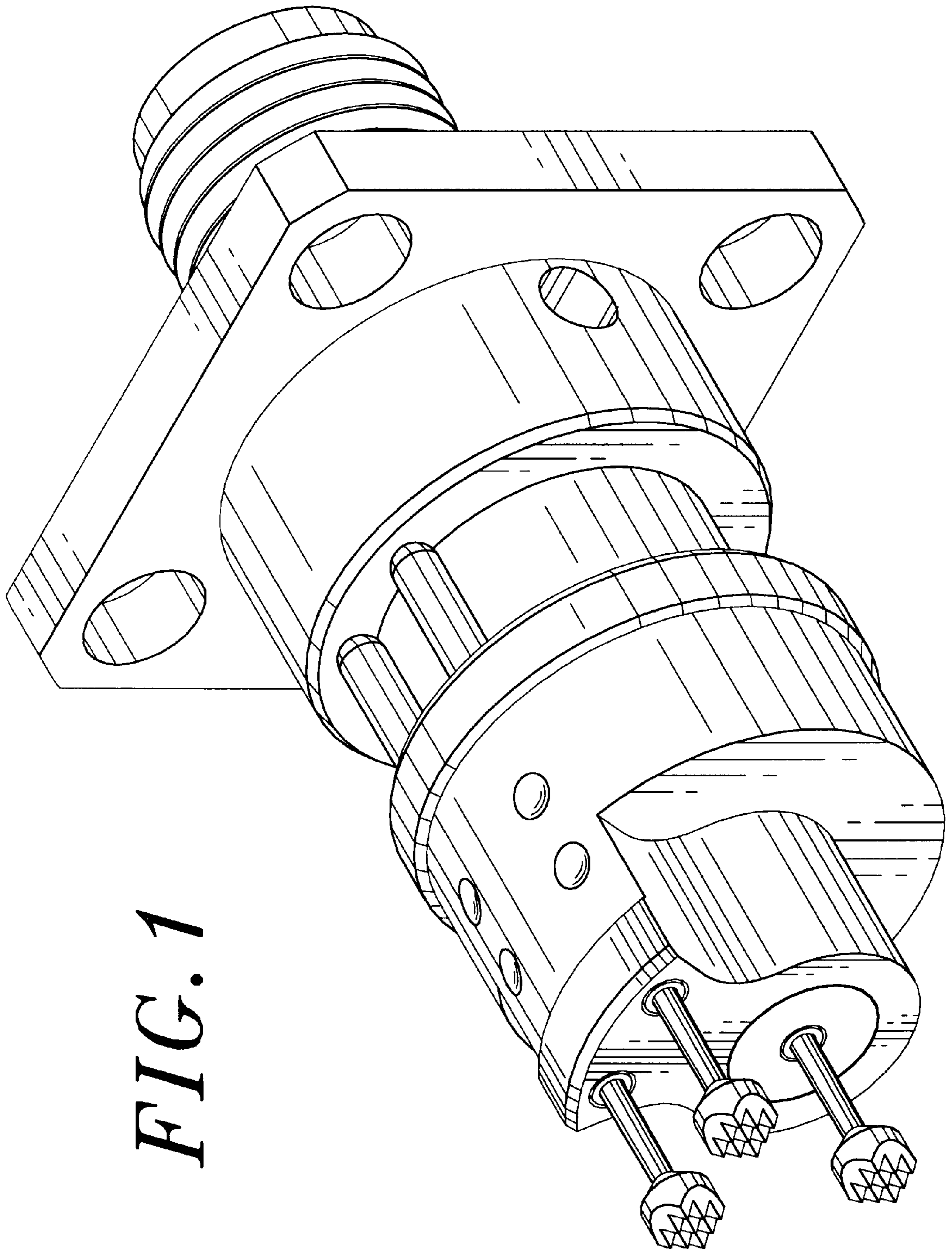
FIG. 4 is a bottom elevational view of the embodiment of FIG. 1;

FIG. 5 is a front elevational view of the embodiment of FIG. 1; and,

FIG. 6 is a rear elevational view of the embodiment of FIG. 1.

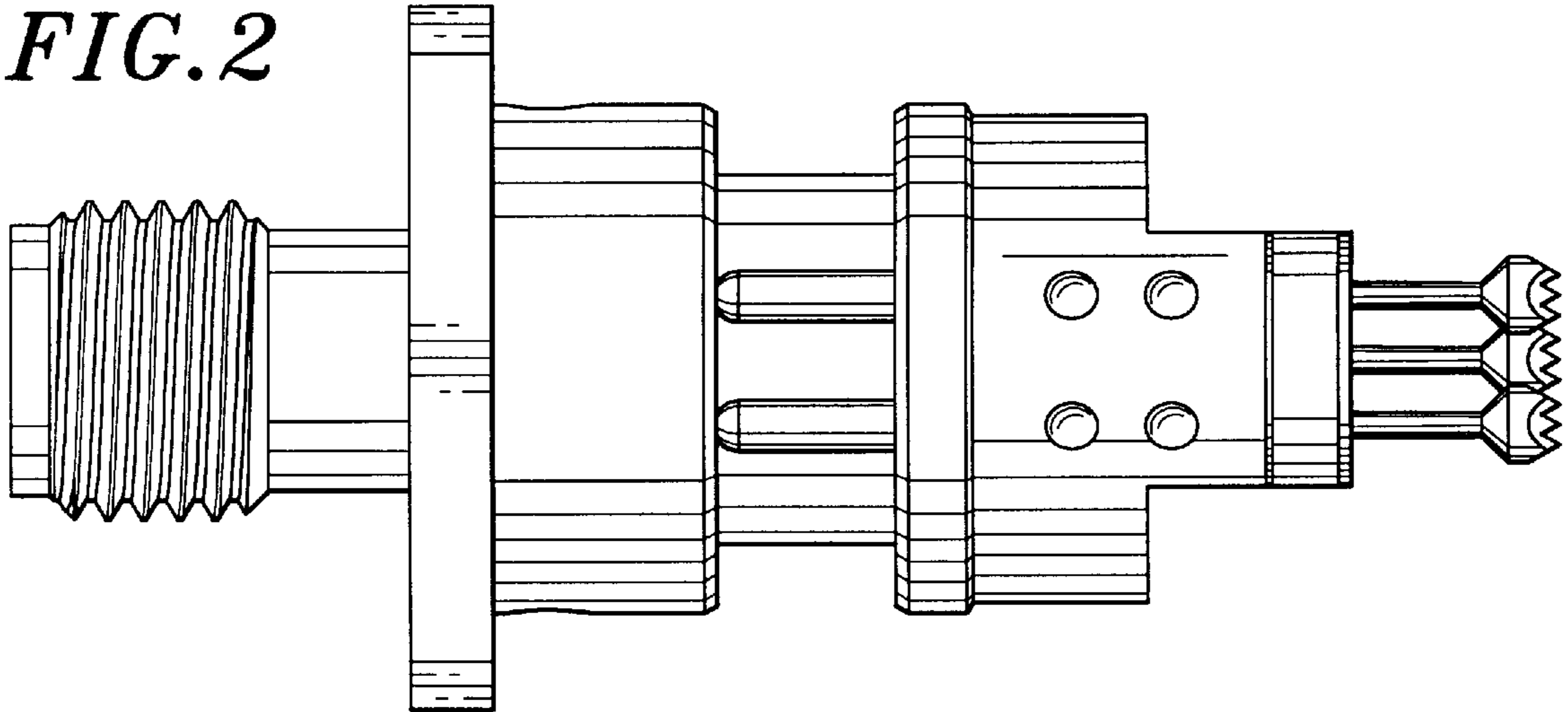
**1 Claim, 3 Drawing Sheets**



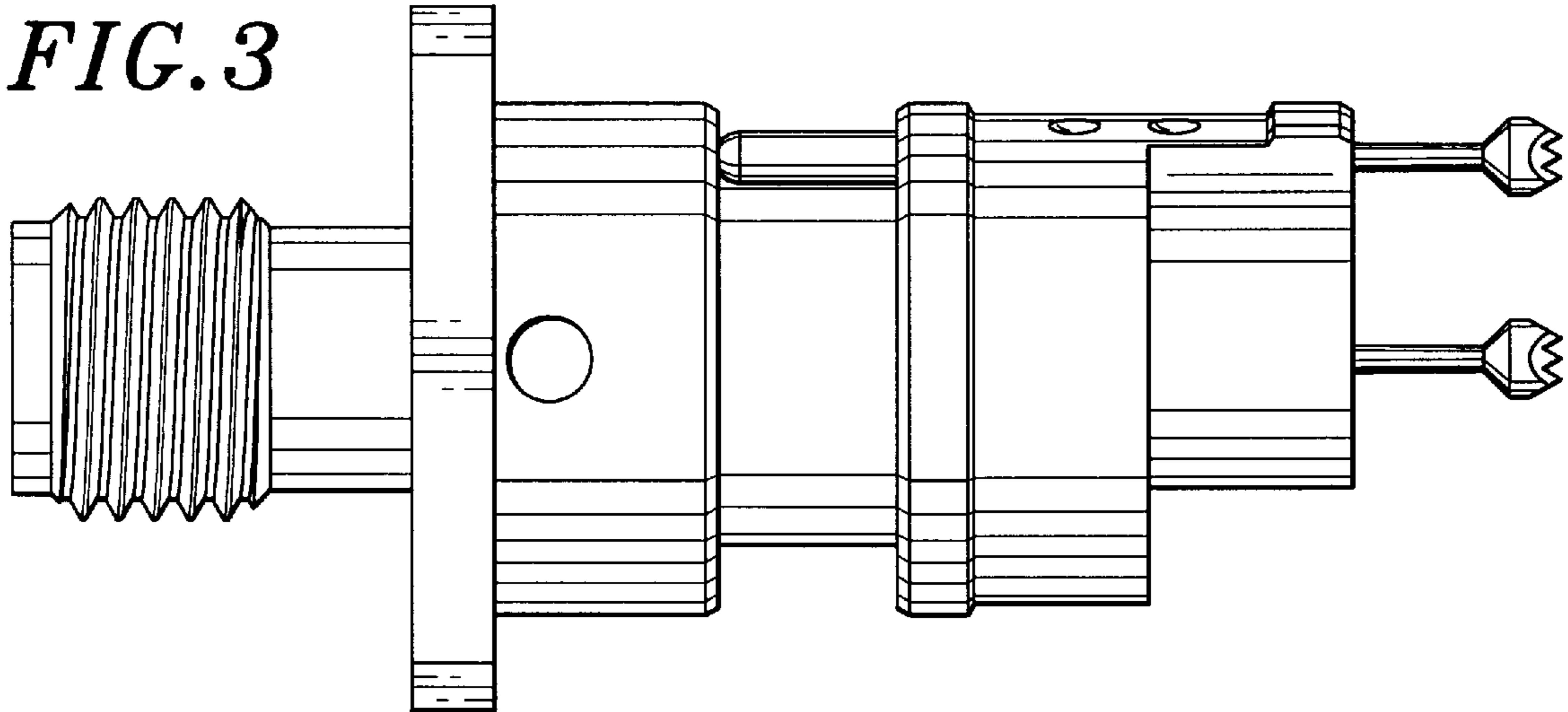


*FIG. 1*

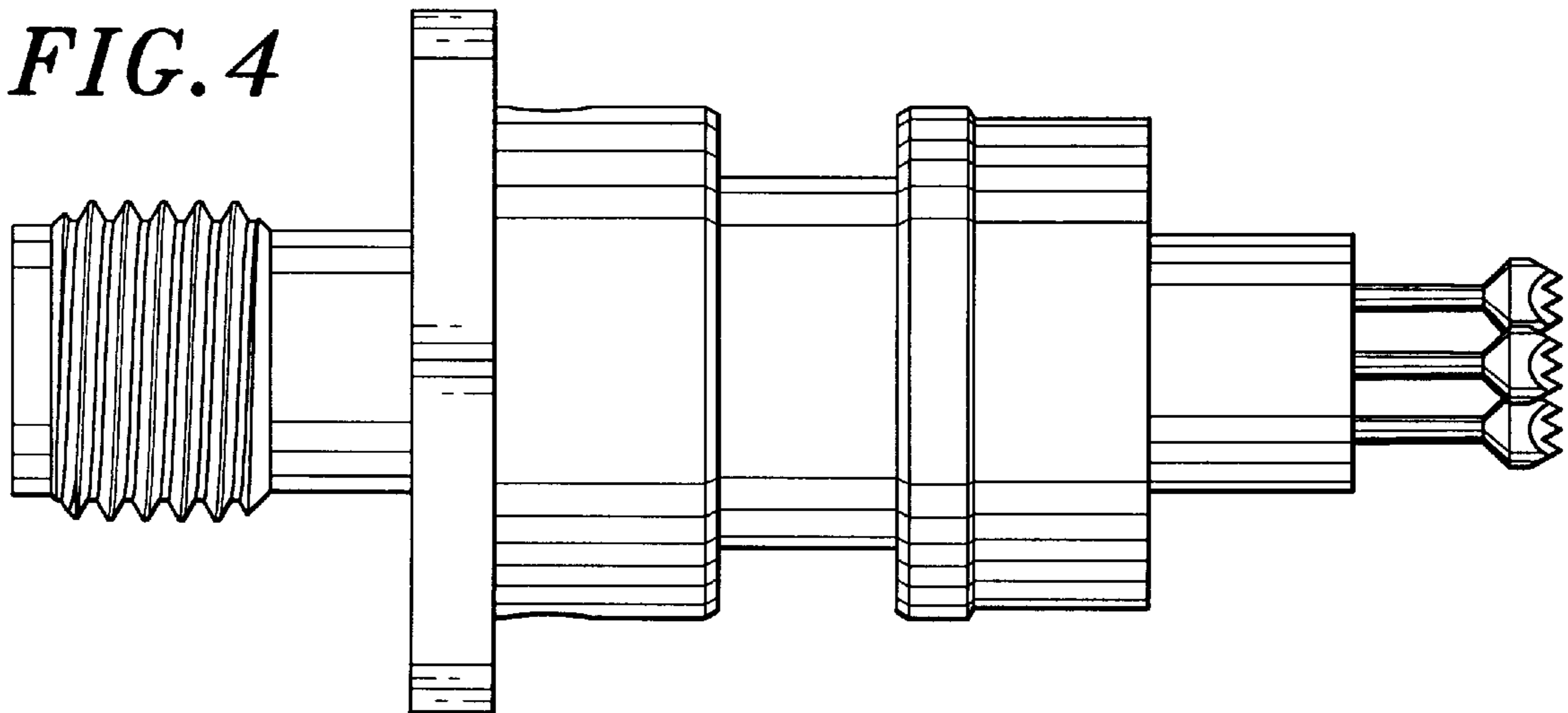
*FIG. 2*



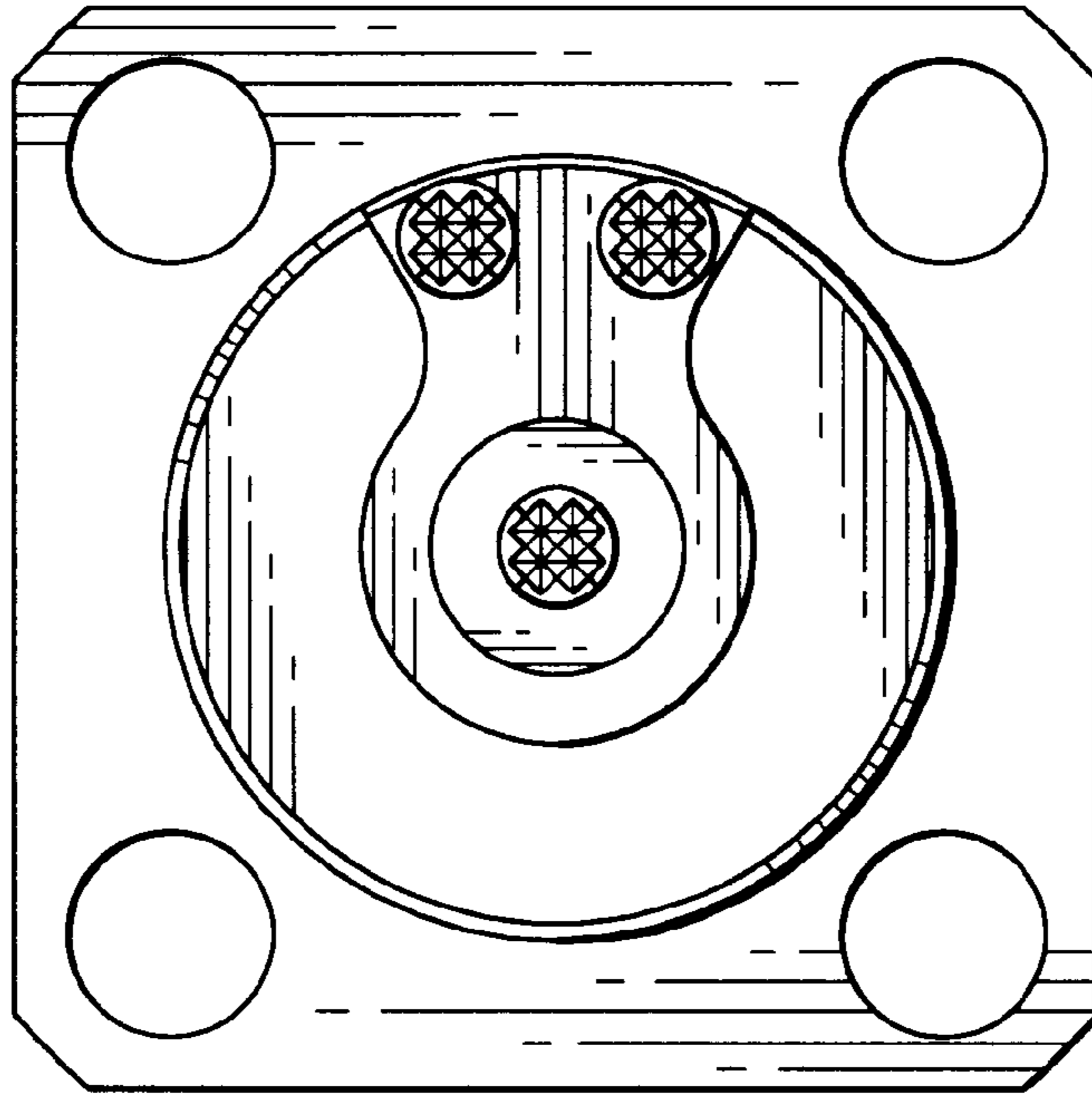
*FIG. 3*



*FIG. 4*



*FIG. 5*



*FIG. 6*

