



US00D42229S

United States Patent [19]
Kuramoto

[11] **Patent Number: Des. 422,229**

[45] **Date of Patent: ** Apr. 4, 2000**

[54] **VOLT-OHM-AMMETER**

D. 335,095 4/1993 Kuramoto .
D. 358,349 5/1995 Kuramoto D10/79
D. 401,172 11/1998 Kuramoto D10/79

[75] Inventor: **Masamichi Kuramoto**, Tokyo, Japan

[73] Assignee: **Kyoritsu Electrical Instruments Works, Ltd.**, Tokyo, Japan

Primary Examiner—Antoine Duval Davis
Attorney, Agent, or Firm—Oblon, Spivak, McClelland, Maier & Neustadt, P.C.

[**] Term: **14 Years**

[57] **CLAIM**

[21] Appl. No.: **29/104,226**

The ornamental design for a volt-ohm-ammeter, as shown and described.

[22] Filed: **Apr. 30, 1999**

[30] **Foreign Application Priority Data**

DESCRIPTION

Jan. 25, 1999 [JP] Japan 11-1289

FIG. 1 is a bottom and right rear perspective view of a volt-ohm-ammeter, showing my new design;
FIG. 2 is a top and left front perspective view thereof;
FIG. 3 is a front elevational view thereof;
FIG. 4 is a rear elevational view thereof;
FIG. 5 is a top plan view thereof;
FIG. 6 is a bottom plan view thereof;
FIG. 7 is a left side elevational view thereof; and,
FIG. 8 is a right side elevational view thereof.

[51] **LOC (6) Cl.** **10-04**

[52] **U.S. Cl.** **D10/79**

[58] **Field of Search** D10/79; 324/115, 324/116, 117, 126, 127, 128, 129, 130, 143, 142, 149, 156, 158 P, 158 F

[56] **References Cited**

U.S. PATENT DOCUMENTS

D. 312,420 11/1990 Kuramoto .

1 Claim, 3 Drawing Sheets

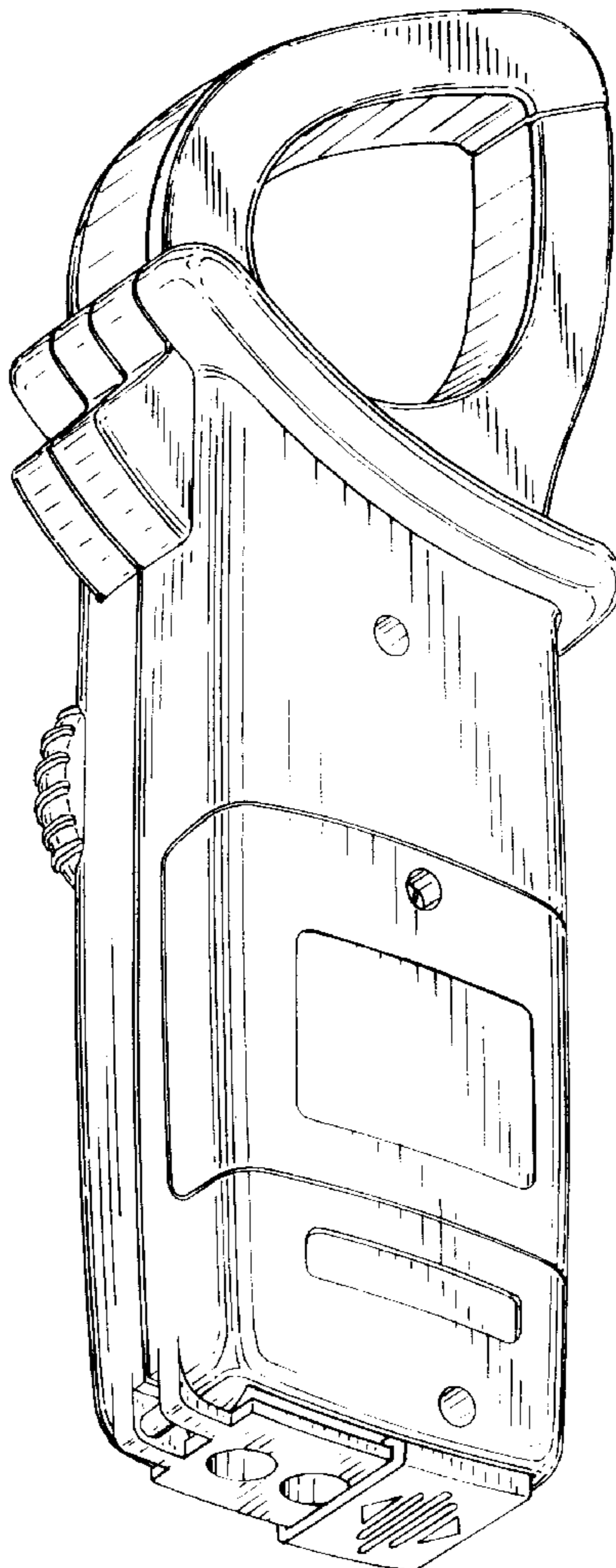


FIG. 1

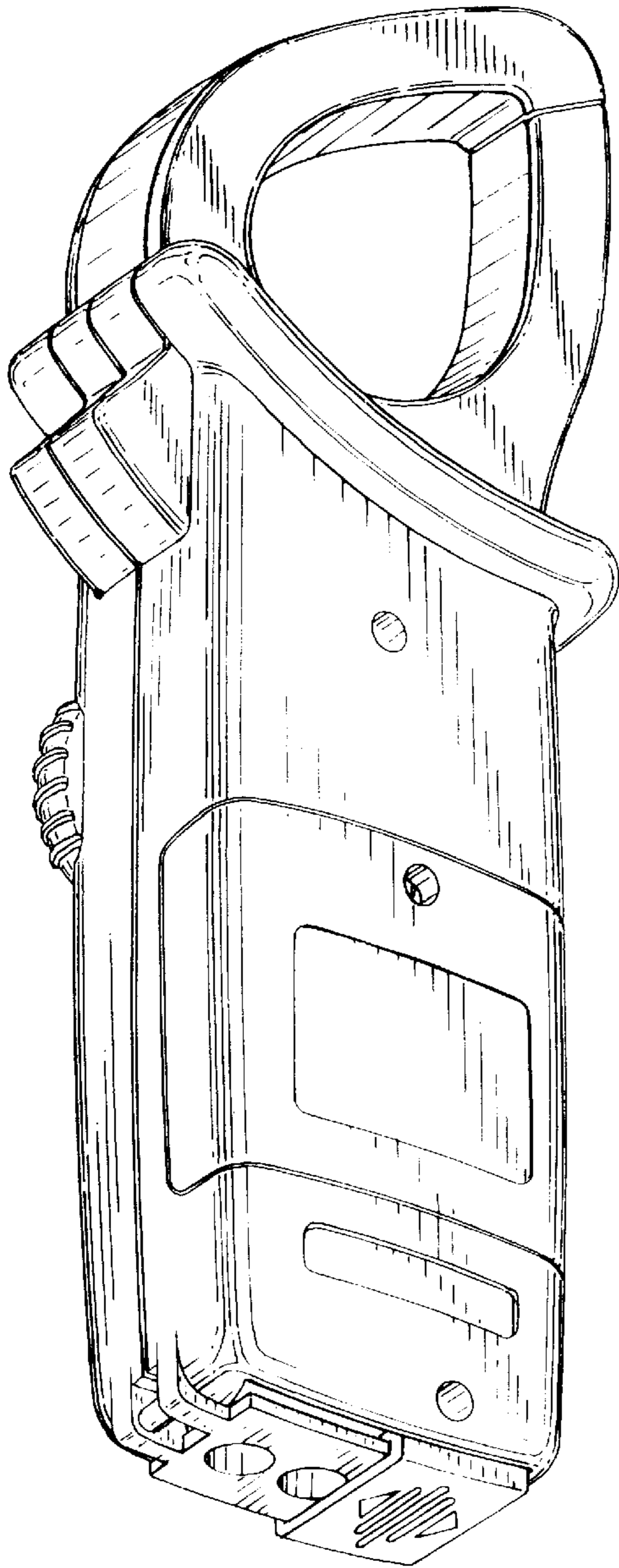


FIG. 2

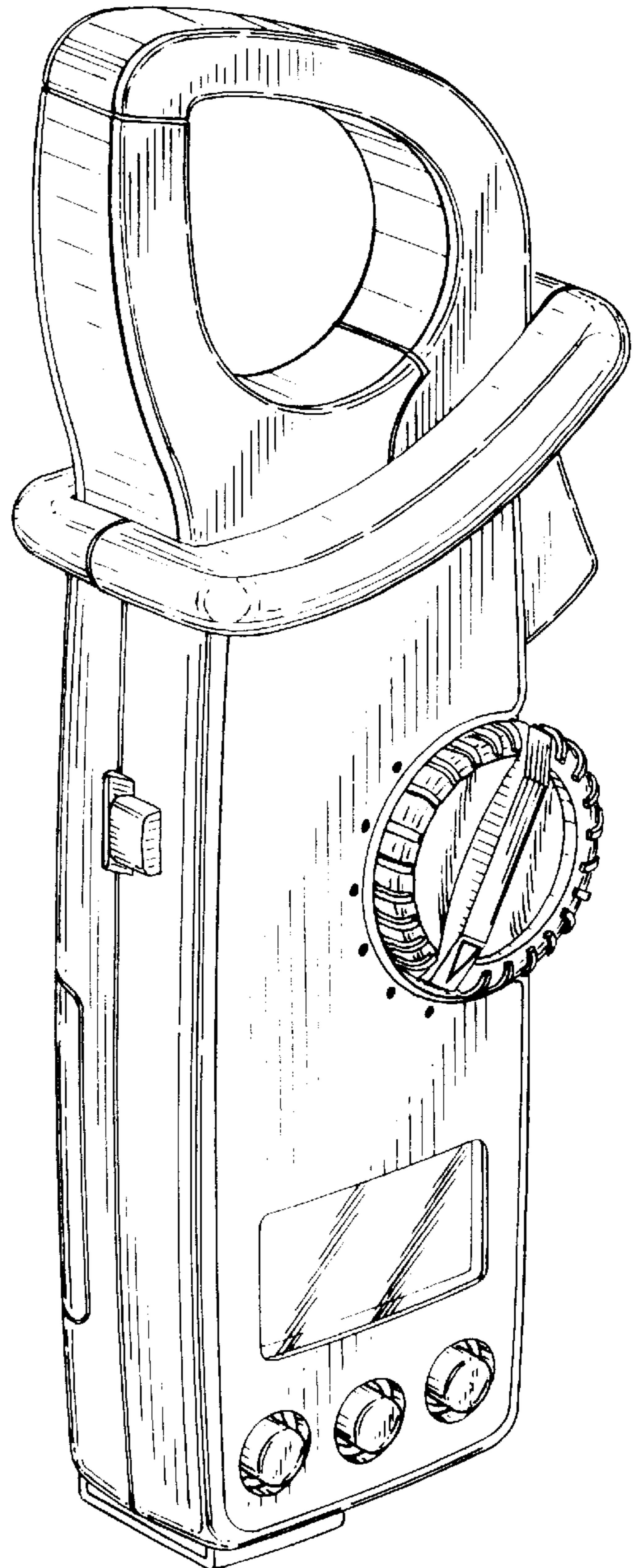


FIG. 3

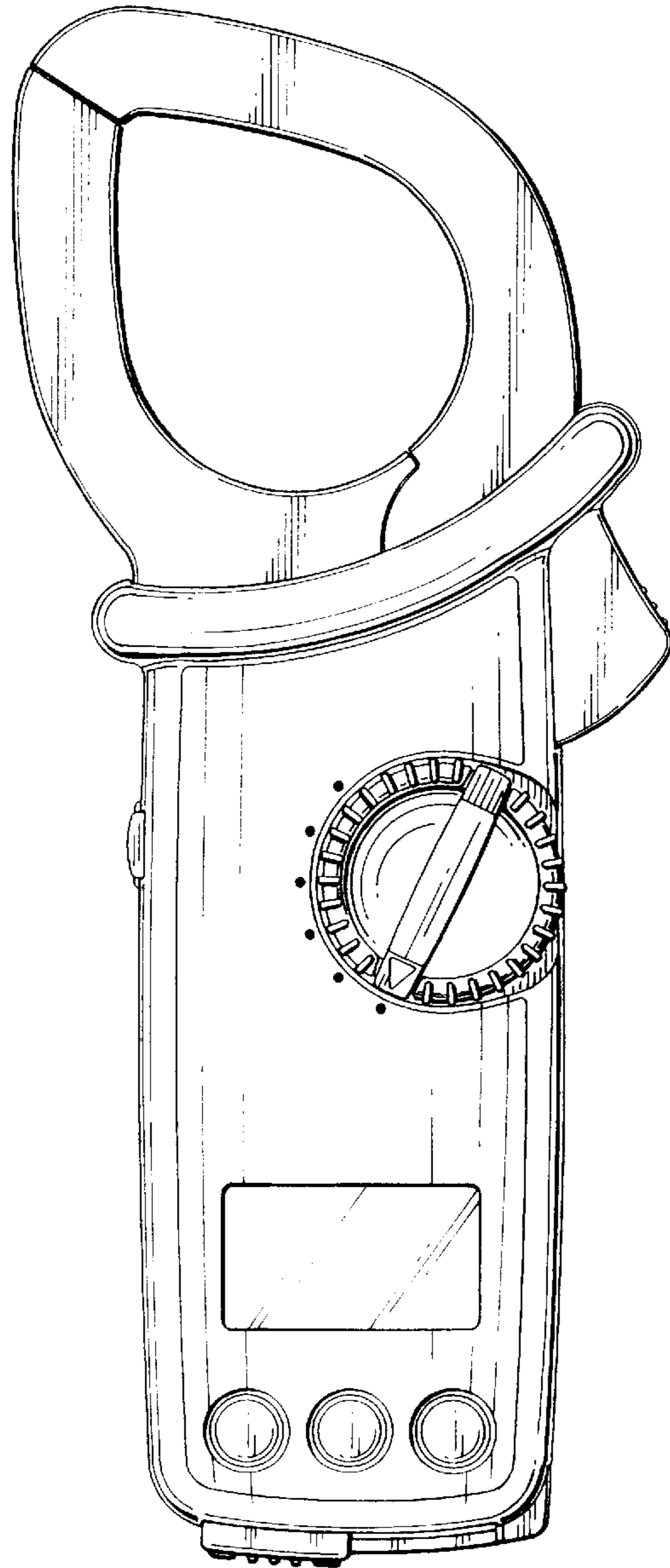


FIG. 4

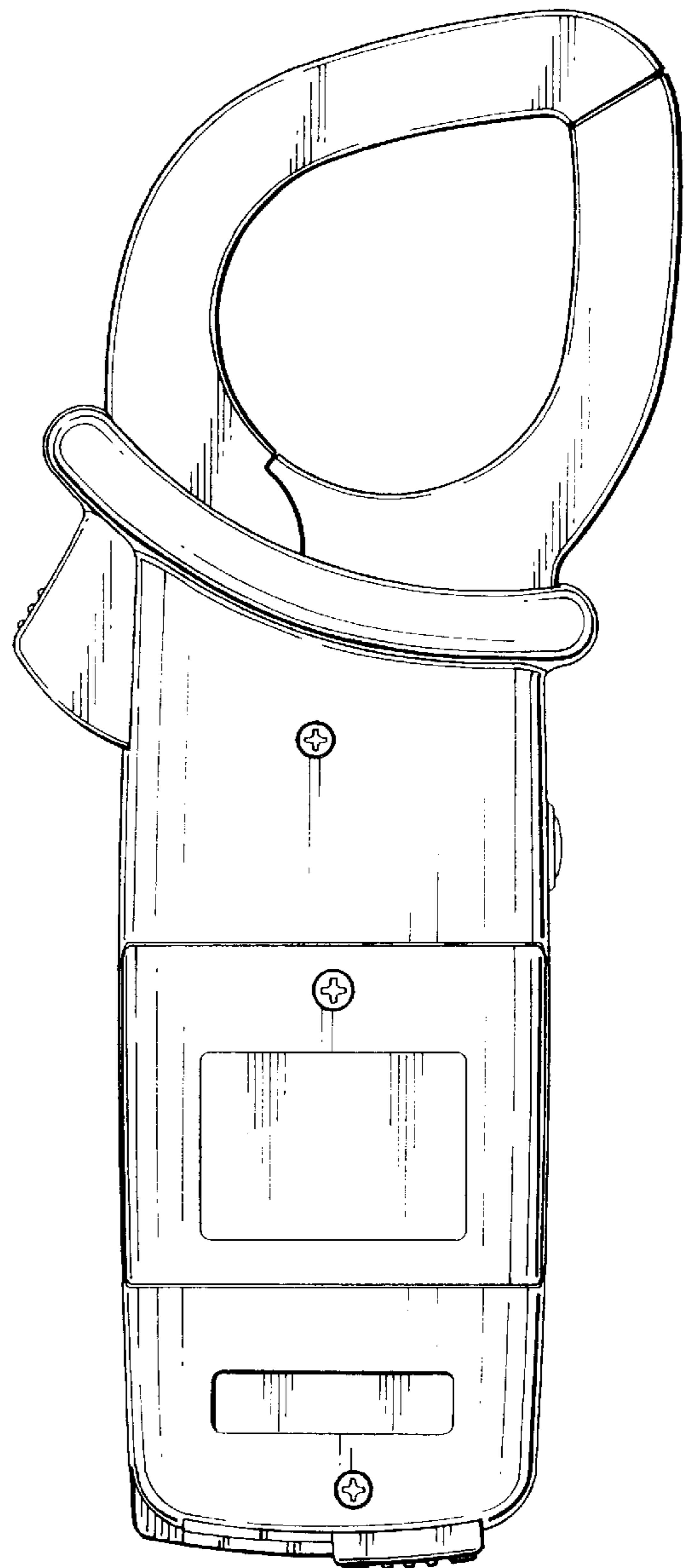


FIG. 5

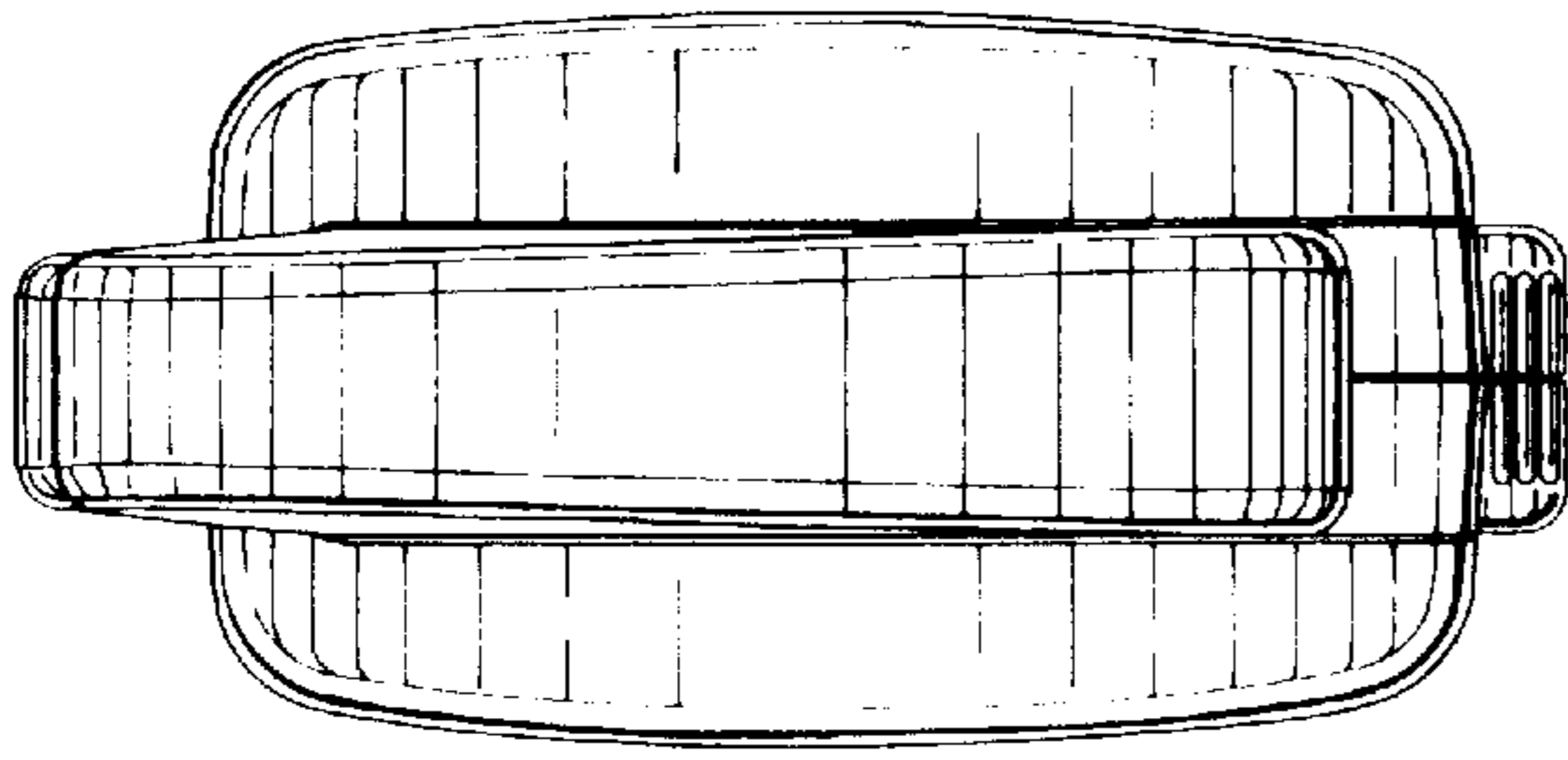


FIG. 6

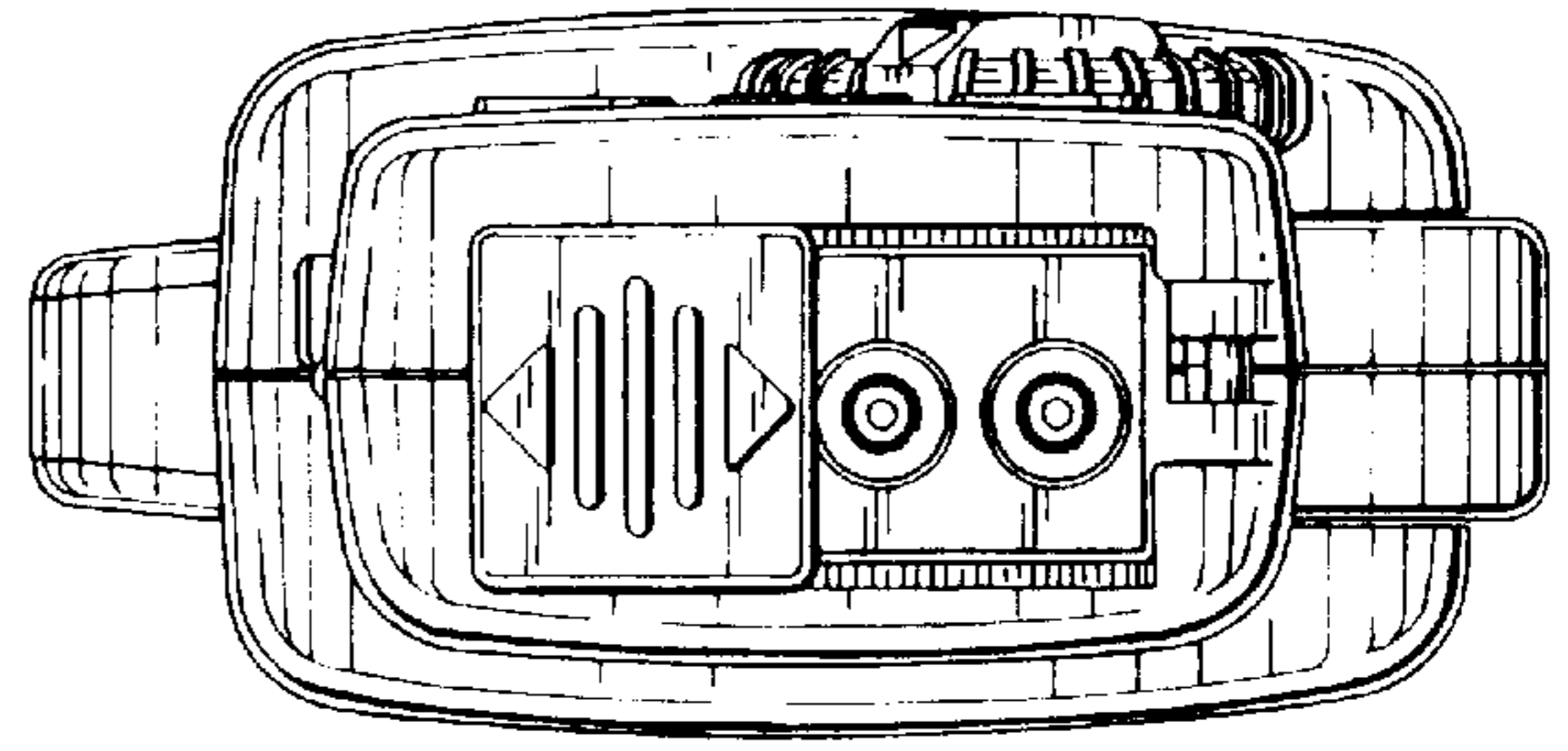


FIG. 7

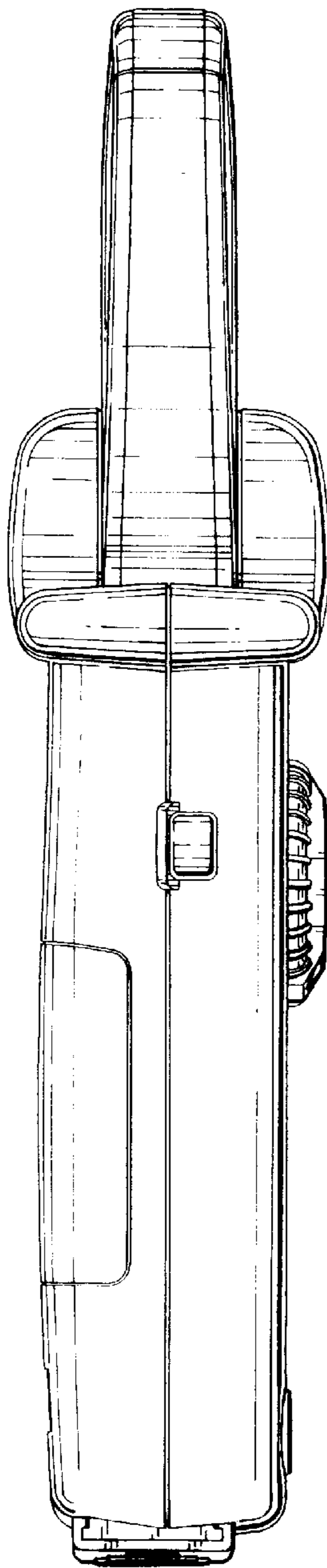


FIG. 8

