



US00D42227S

United States Patent [19] Lin

[11] **Patent Number: Des. 422,227**

[45] **Date of Patent: ** Apr. 4, 2000**

[54] **MEASURING TAPE**

[75] **Inventor: Henry Lin, Taipei, Taiwan**

[73] **Assignee: Index Measuring Tape, Co., Ltd., Taipei, Taiwan**

[**] **Term: 14 Years**

[21] **Appl. No.: 29/106,694**

[22] **Filed: Jun. 22, 1999**

[51] **LOC (6) Cl. 10-04**

[52] **U.S. Cl. D10/72**

[58] **Field of Search D10/72; 242/385.1, 242/390.1, 396.2, 397.2, 396.7**

[56] **References Cited**

U.S. PATENT DOCUMENTS

- D. 237,595 11/1975 Melsner D10/72
- D. 253,877 1/1980 Covey et al. D10/72
- D. 341,329 11/1993 Morris D10/72

- D. 410,859 6/1999 Hioki D10/72
- 4,164,334 8/1979 Rathbun et al. D10/72
- 4,251,038 2/1981 Gename 242/396.2

Primary Examiner—Antoine Duval Davis
Attorney, Agent, or Firm—Doutherty & Troxell

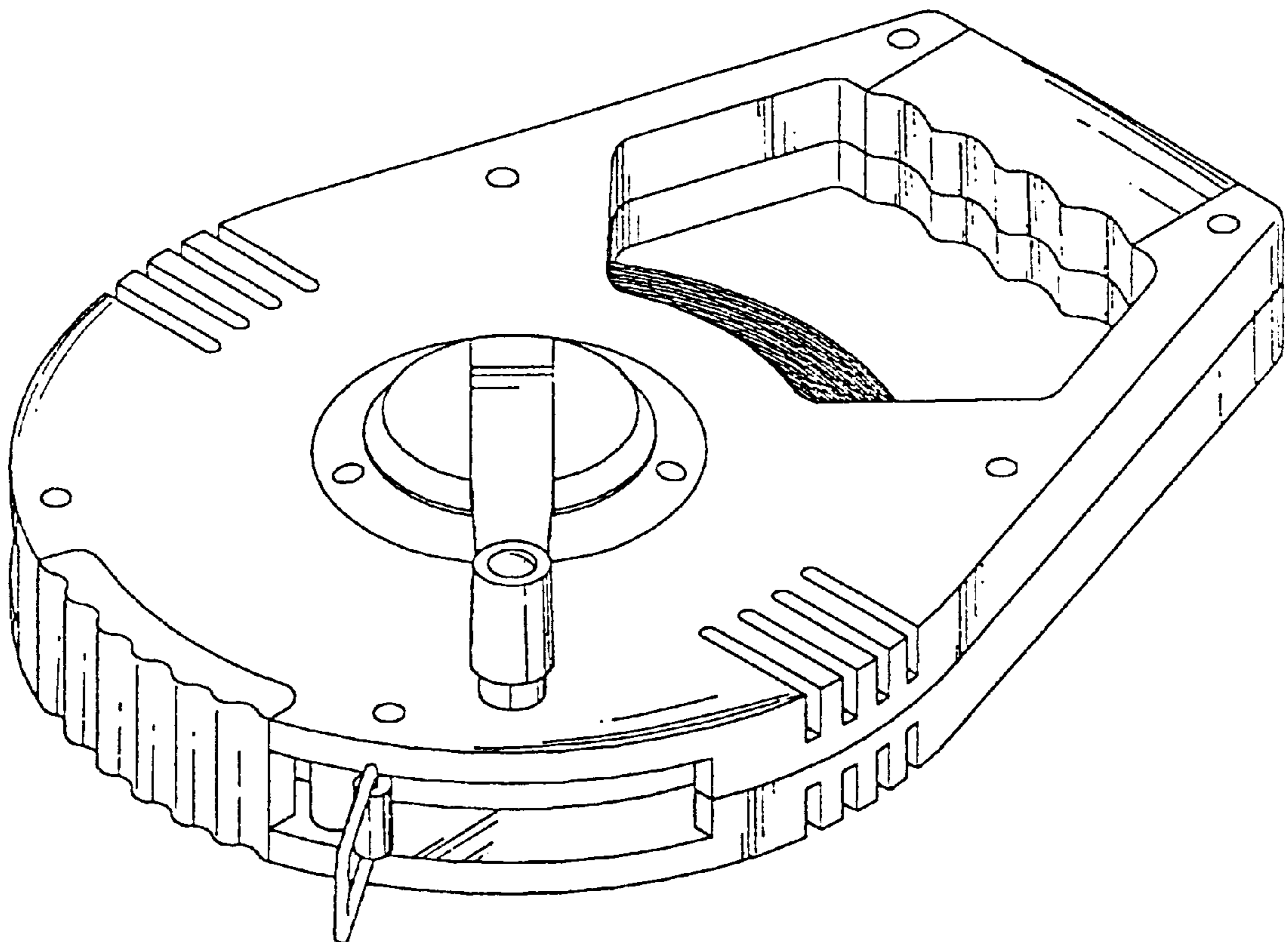
[57] **CLAIM**

The ornamental design for a measuring tape, as shown and described.

DESCRIPTION

FIG. 1 is a perspective view of a measuring tape showing my new design;
 FIG. 2 is a front elevational view thereof;
 FIG. 3 is a rear elevational view thereof;
 FIG. 4 is a left side elevational view thereof;
 FIG. 5 is a right side view thereof;
 FIG. 6 is a top plan view thereof; and,
 FIG. 7 is a bottom plan view thereof.

1 Claim, 5 Drawing Sheets



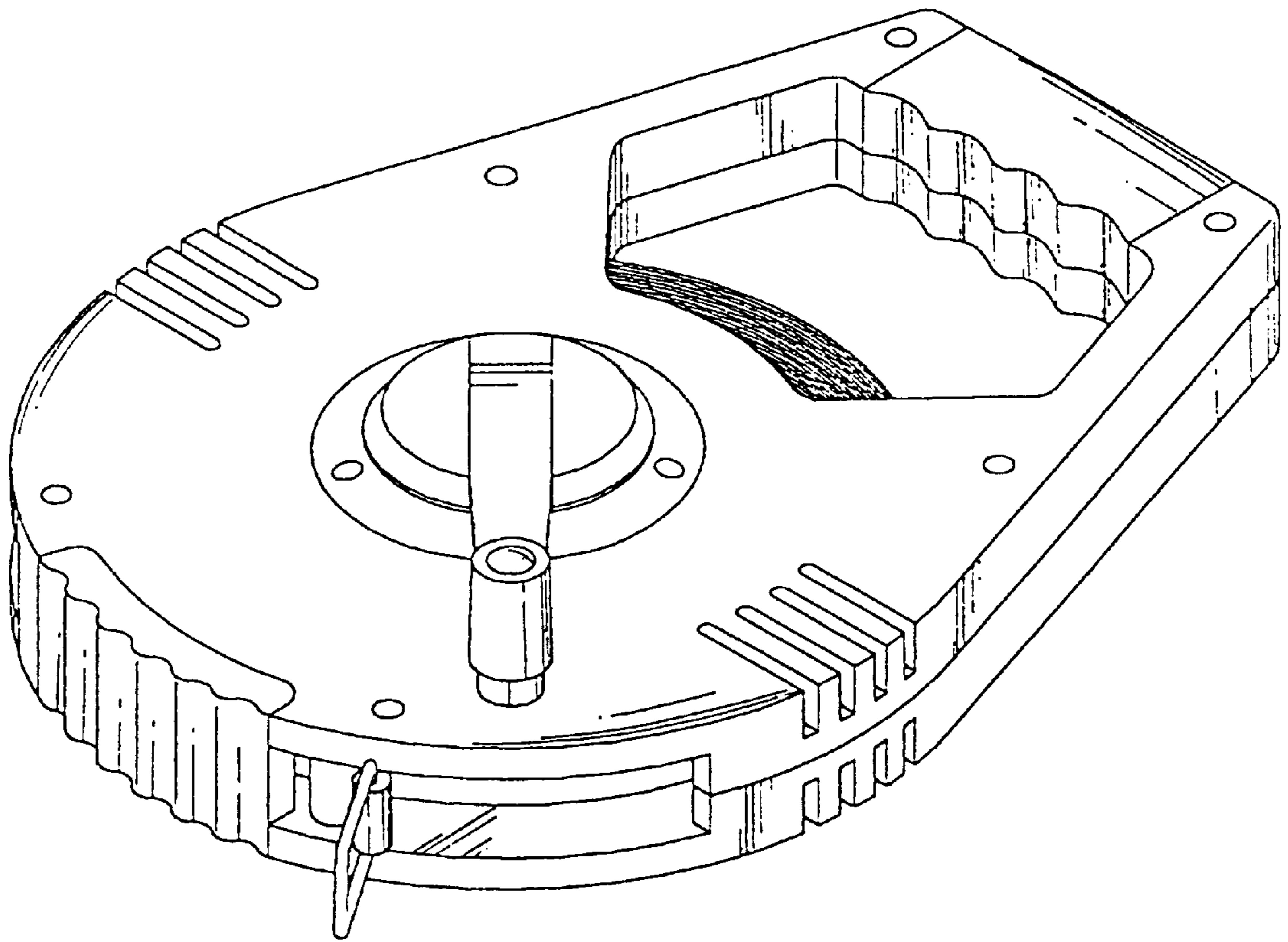


FIG 1

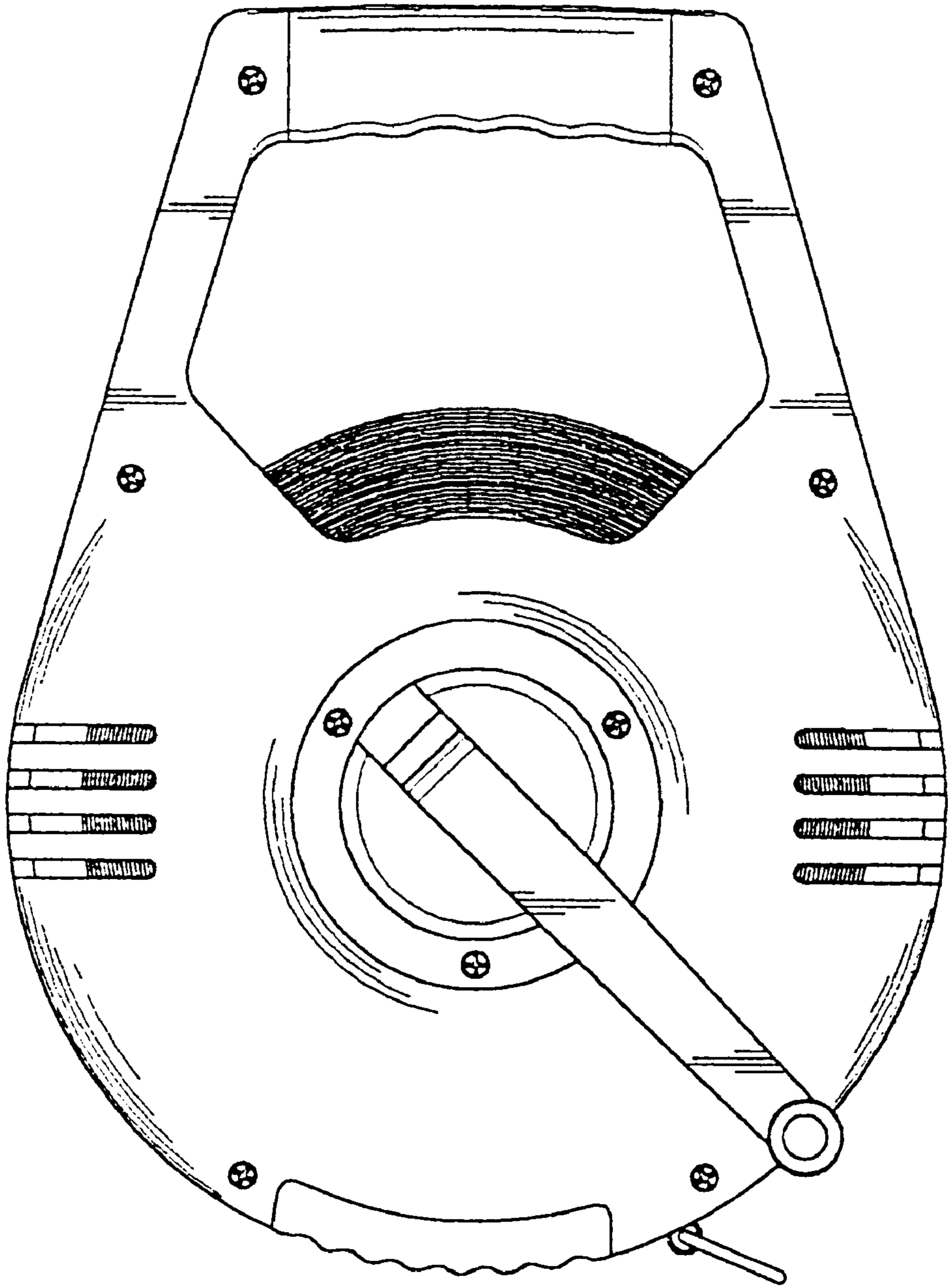


FIG 2

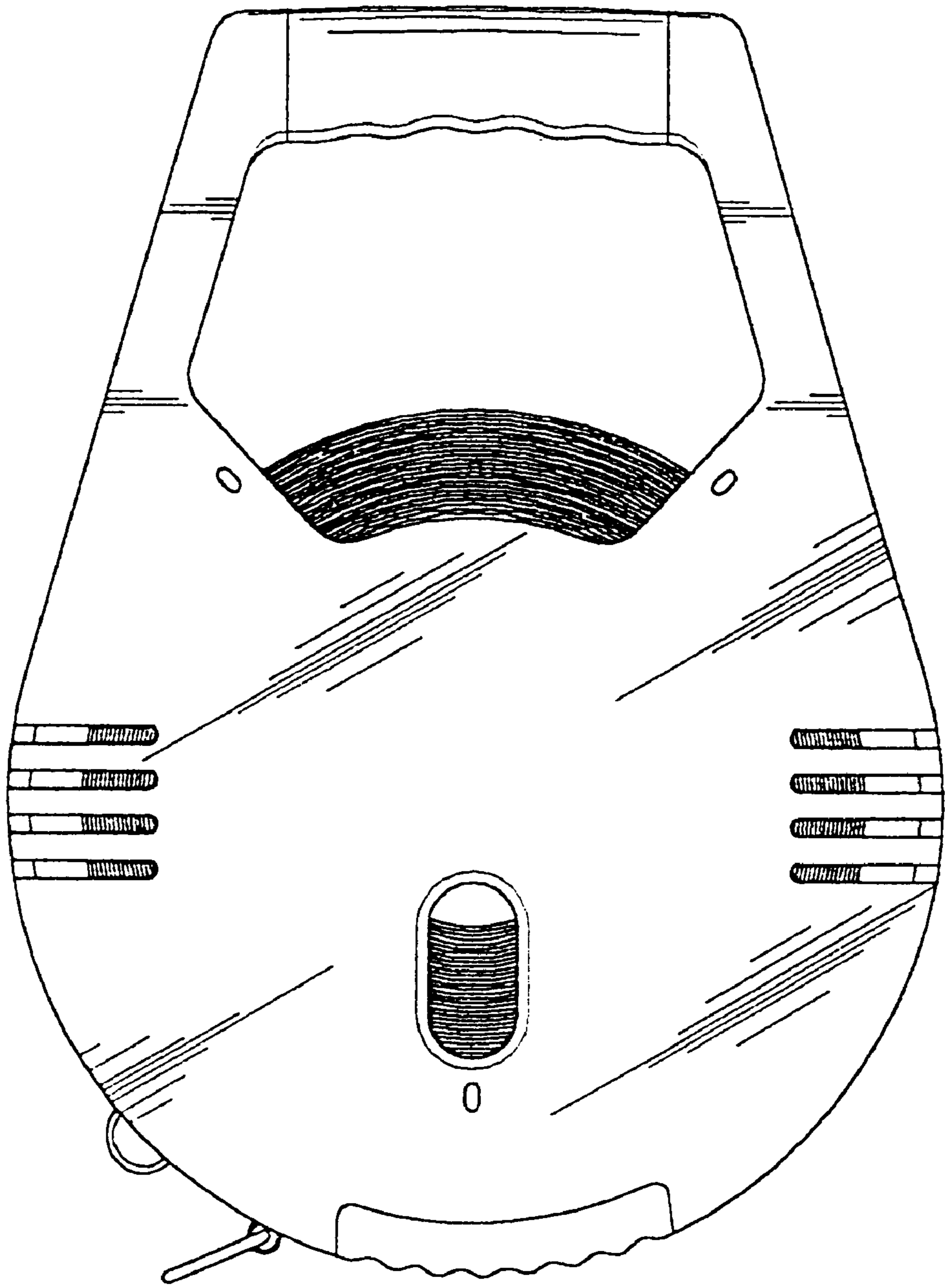


FIG 3

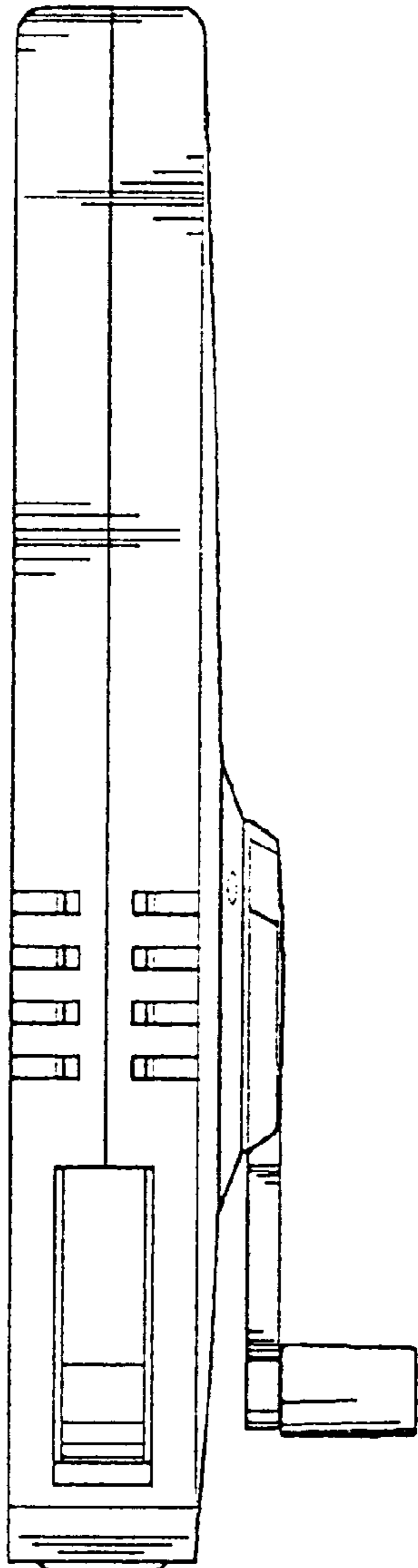


FIG 4

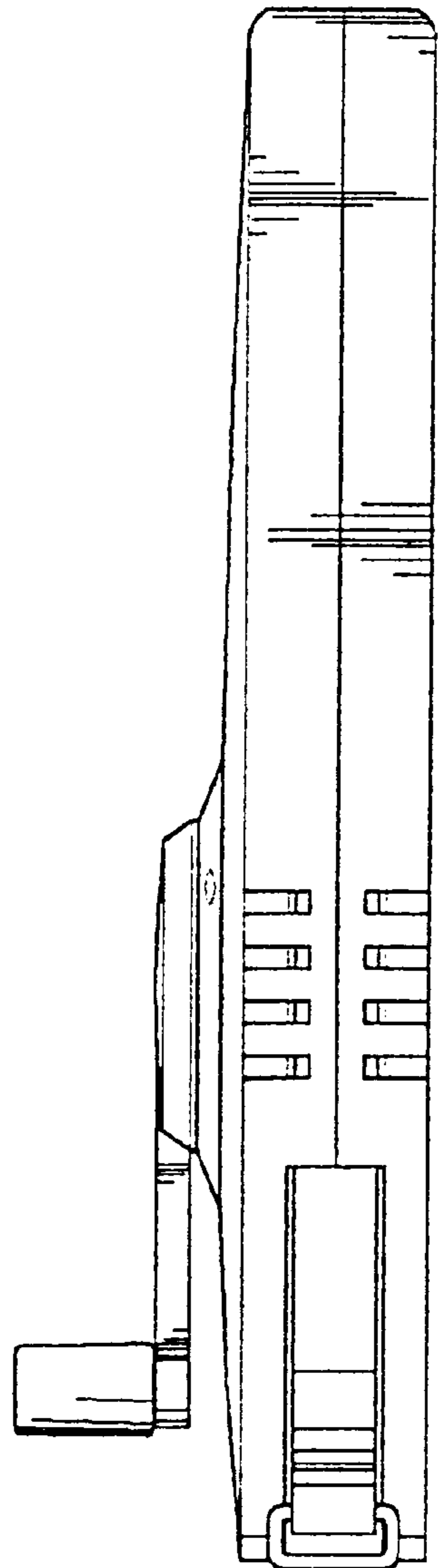


FIG 5

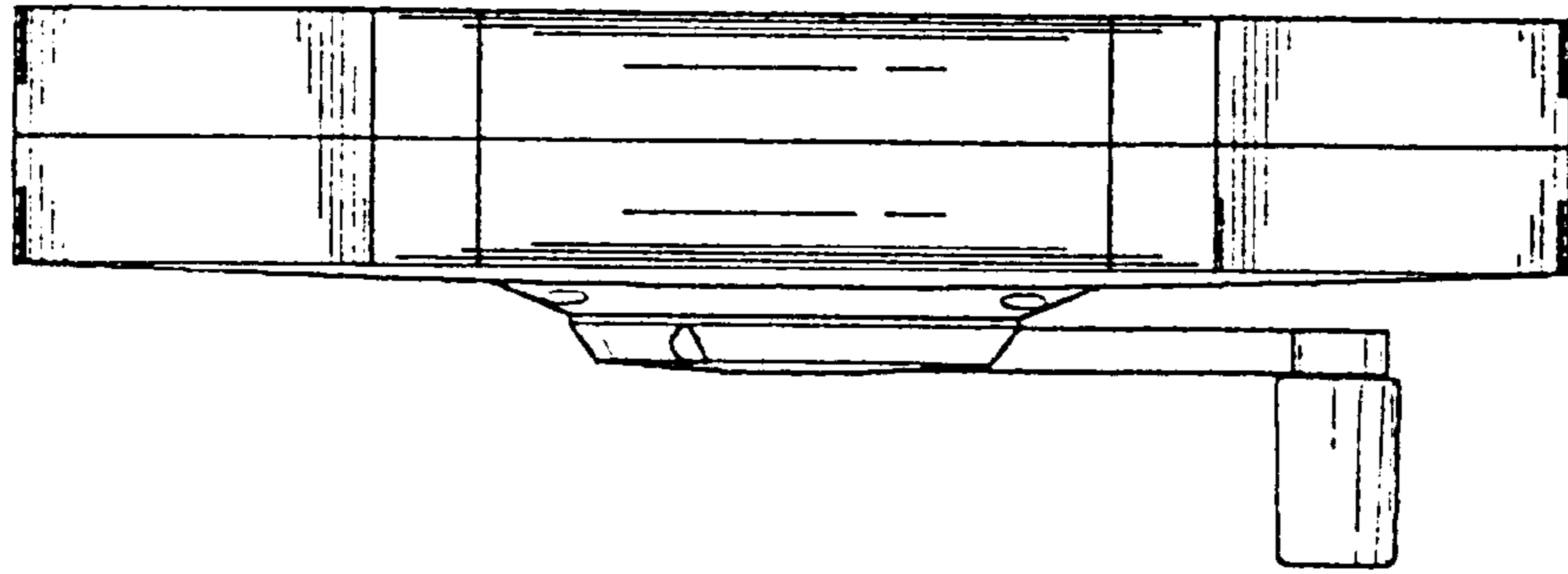


FIG 6

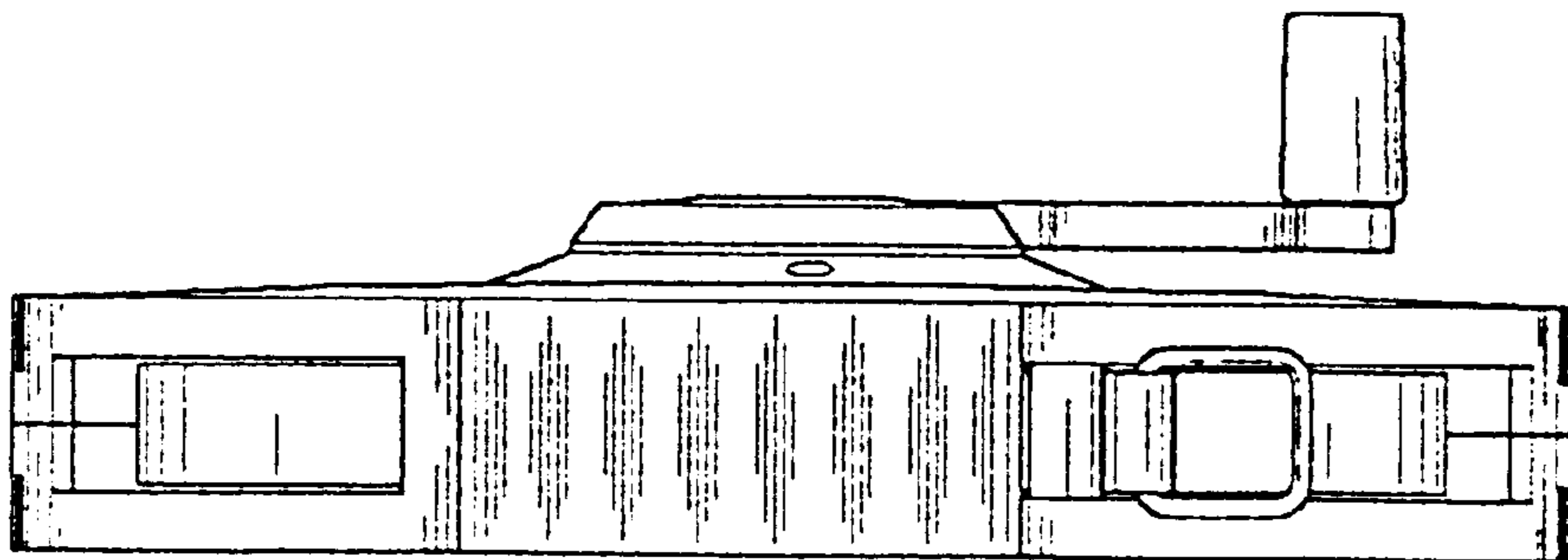


FIG 7