



US00D422225S

United States Patent [19] DiGangi et al.

[11] **Patent Number: Des. 422,225**
[45] **Date of Patent: ** Apr. 4, 2000**

[54] **RAFTER SQUARE WITH LEVEL**

5,269,066 12/1993 Walters 33/451
5,894,675 4/1999 Cericola 33/451

[76] Inventors: **Joseph DiGangi**, P.O. Box 950, Santa Cruz, N. Mex. 87567; **Christopher Neisen**, 8600 E. Chenango Ave., Denver, Colo. 80237

FOREIGN PATENT DOCUMENTS

WO 96/25274 of 1996 France .

[**] Term: **14 Years**

Primary Examiner—Antoine Duval Davis
Attorney, Agent, or Firm—John R. Lansdowne

[21] Appl. No.: **29/097,876**

[57] **CLAIM**

[22] Filed: **Dec. 16, 1998**

The ornamental design for a rafter square with level, as shown.

[51] **LOC (6) Cl.** **10-04**

DESCRIPTION

[52] **U.S. Cl.** **D10/62; D10/65**

[58] **Field of Search** D10/62, 65; 33/451, 33/DIG. 21, 429, 476, 480, 460, 470, 760

FIG. 1 is a front elevation view of a rafter square with level showing our new design;

FIG. 2 is a side elevation view thereof;

FIG. 3 is an opposite side elevation view thereof;

FIG. 4 is a bottom plan view thereof;

FIG. 5 is a top plan view thereof; and,

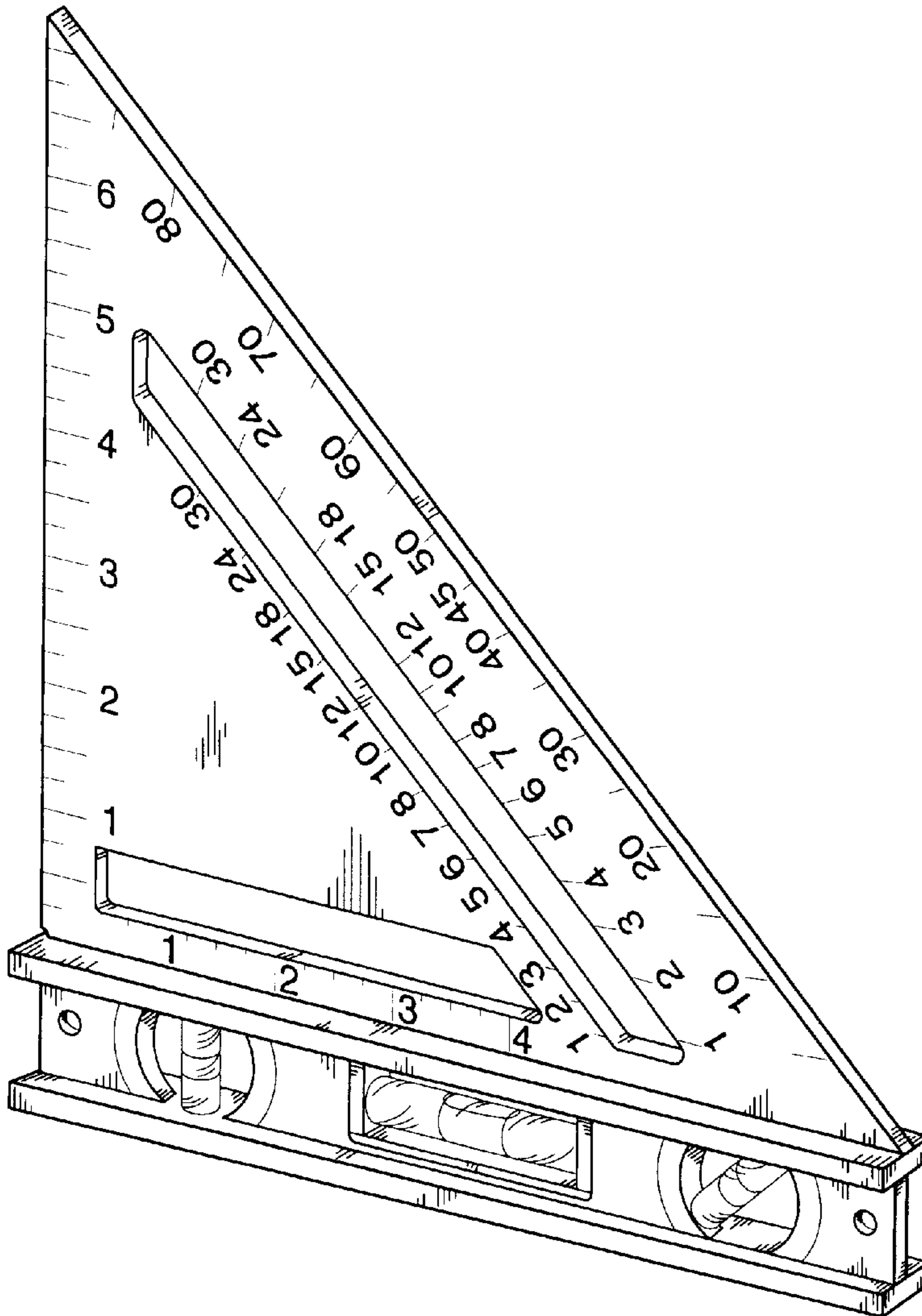
FIG. 6 is a perspective view thereof.

[56] **References Cited**

U.S. PATENT DOCUMENTS

D. 364,574	11/1995	Utz et al.	D10/62
4,693,011	9/1987	Strayham	33/451
5,077,910	1/1992	Smith	33/760
5,253,426	10/1993	Mosbrucker	33/429

1 Claim, 2 Drawing Sheets



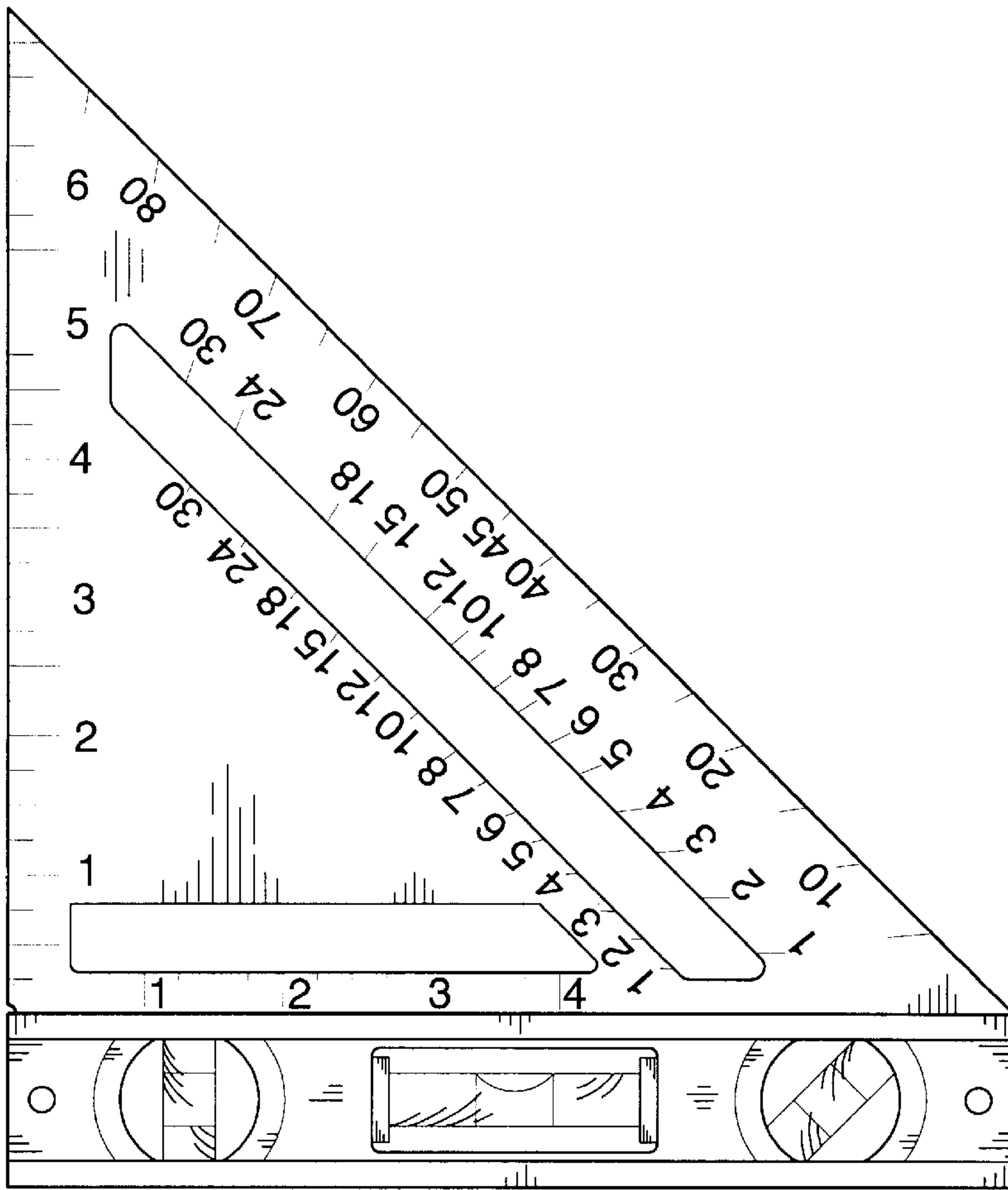


FIG. 1

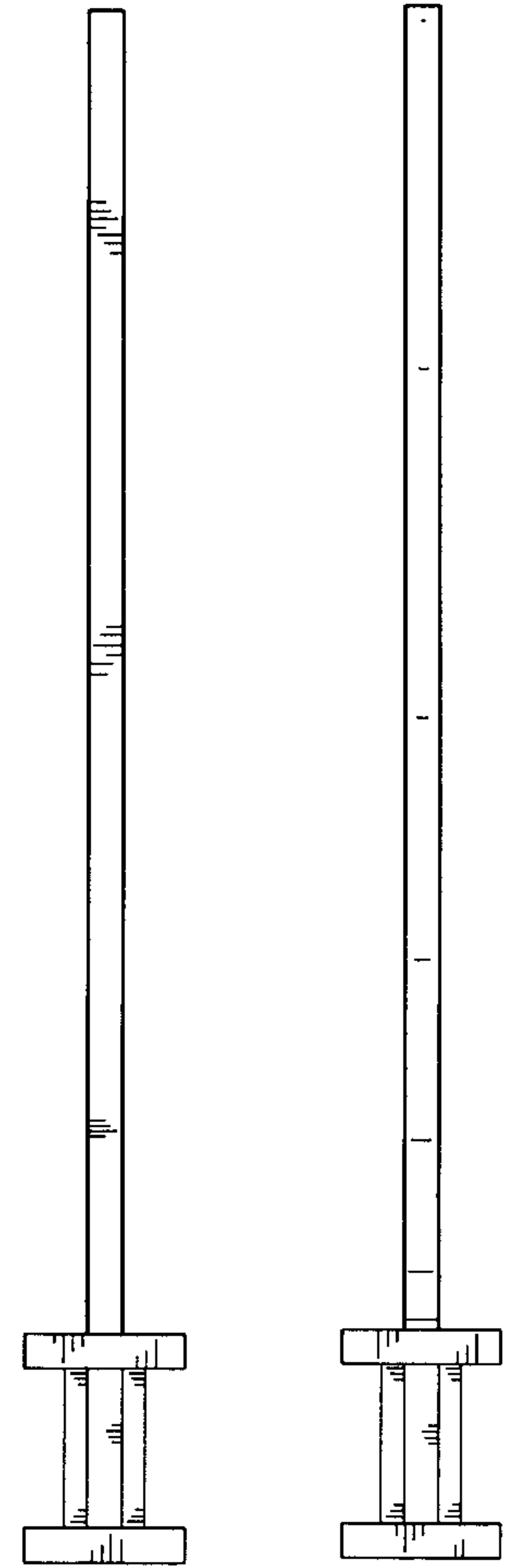


FIG. 2 FIG. 3

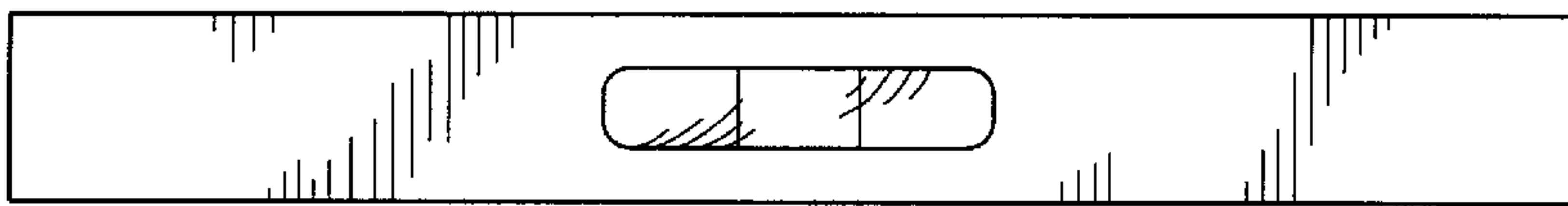


FIG. 4

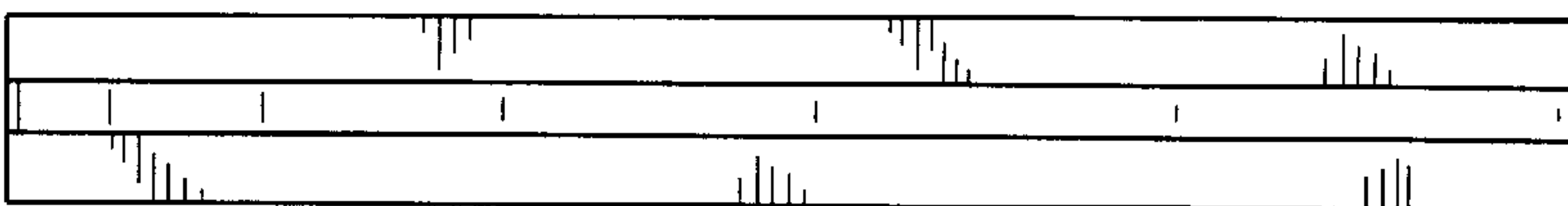


FIG. 5

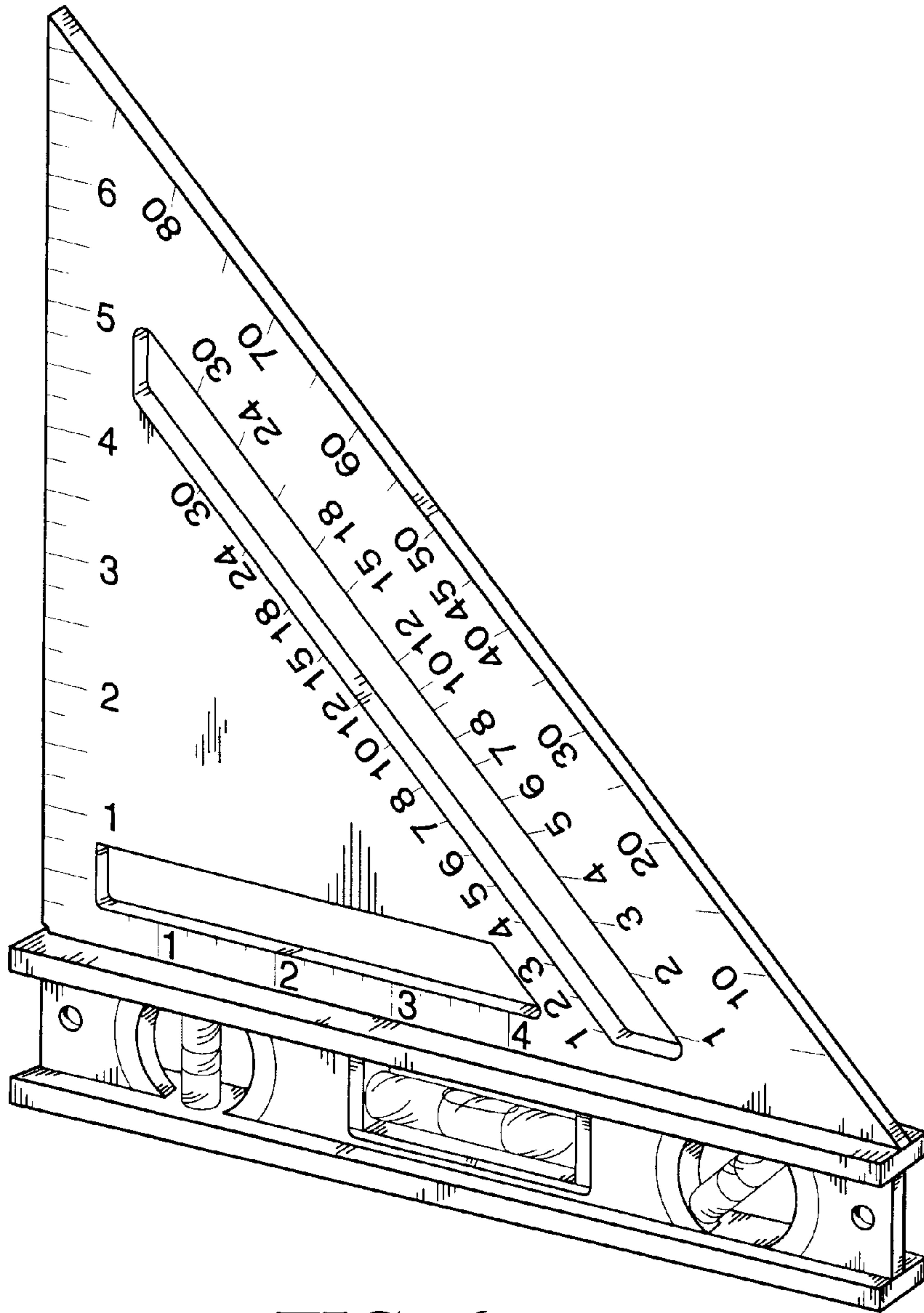


FIG. 6