



US00D42220S

# United States Patent [19] Feen

[11] **Patent Number: Des. 422,220**

[45] **Date of Patent: \*\* Apr. 4, 2000**

[54] **BOTTLE**

[75] Inventor: **Stuart Feen**, 1443 Wild Iris La.,  
Grayslake, Ill. 60030-3518

[73] Assignee: **Stuart Feen**, Grayslake, Ill.

[\*\*] Term: **14 Years**

[21] Appl. No.: **29/105,673**

[22] Filed: **May 28, 1999**

[51] **LOC (6) Cl. .... 09-01**

[52] **U.S. Cl. .... D9/542**

[58] **Field of Search** ..... D9/539, 542, 558,  
D9/529; 215/382, 383, 384; 222/212, 213,  
215, 210

[56] **References Cited**

**U.S. PATENT DOCUMENTS**

D. 182,540	4/1958	Soubier	.....	D9/539
D. 229,889	1/1974	Brody	.....	D9/542
D. 281,861	12/1985	Jones et al.	.....	D9/529
D. 343,360	1/1994	Poo	.....	D9/542
D. 376,541	12/1996	Gobe	.....	D9/542
D. 389,744	1/1998	Noe et al.	.....	D9/542
D. 394,812	6/1998	Crawford	.....	D9/543
D. 414,118	9/1999	Crawford	.....	D9/543

*Primary Examiner*—Lucy Lieberman  
*Attorney, Agent, or Firm*—Rockey, Milnamow & Katz, Ltd.

[57] **CLAIM**

The ornamental design for a bottle, as shown and described.

**DESCRIPTION**

FIG. 1 is a perspective view of a bottle, showing my new design, with the non-ornamental threaded portion shown in phantom lines;

FIG. 2 is a front elevational view thereof, the rear elevational view being the same;

FIG. 3 is a right side elevational view thereof, the left side elevational view being the same;

FIG. 4 is a top plan view thereof;

FIG. 5 is a bottom plan view thereof;

FIG. 6 is a perspective view of an alternative embodiment of the design as shown in FIG. 1;

FIG. 7 is a perspective view of a further alternative embodiment of the design as shown in FIG. 1; and,

FIG. 8 is a perspective view of another alternative embodiment of the design as shown in FIG. 1.

The second, third and fourth embodiments differ from the first embodiment in height and in the number of recesses on the sides.

The broken lines in the drawings are for illustrative purposes only and do not form part of the claimed design.

**1 Claim, 6 Drawing Sheets**

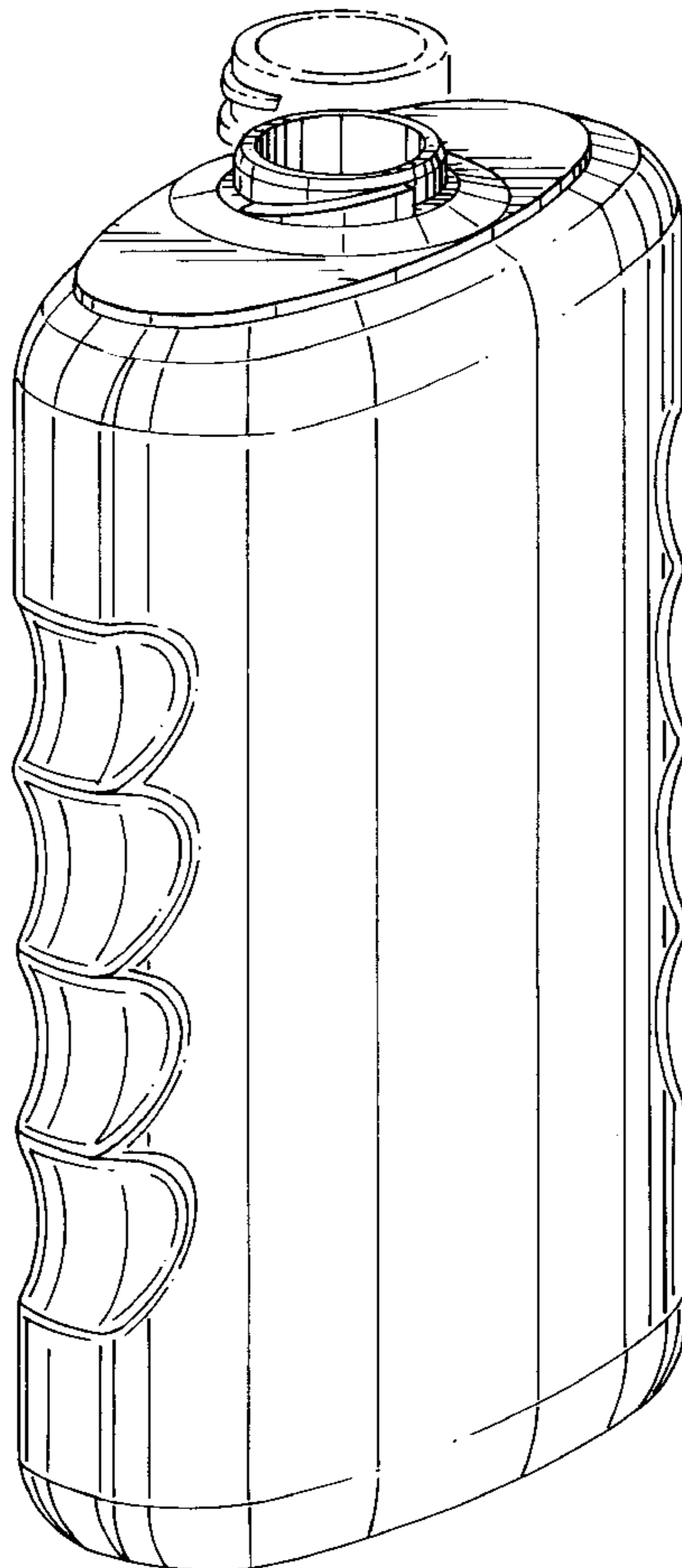


FIG. 1

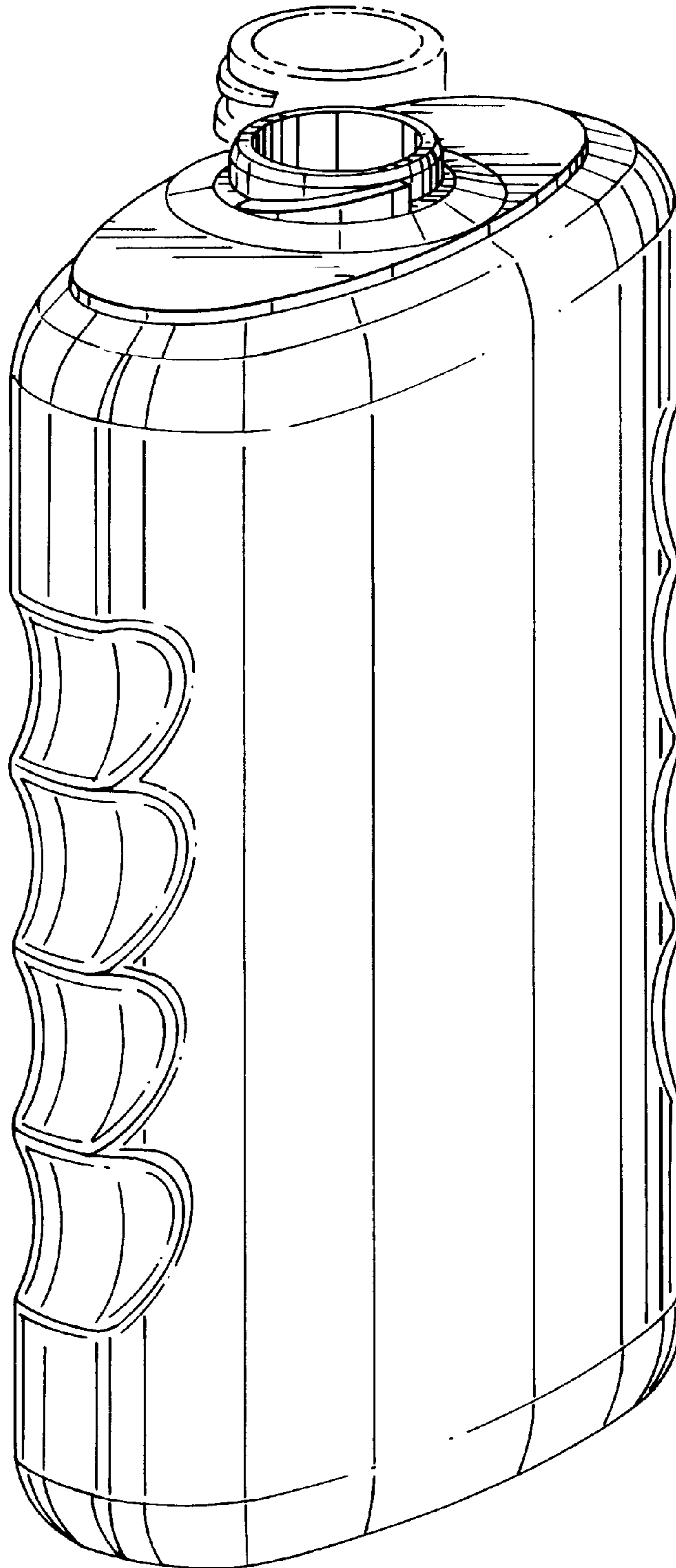


FIG. 2

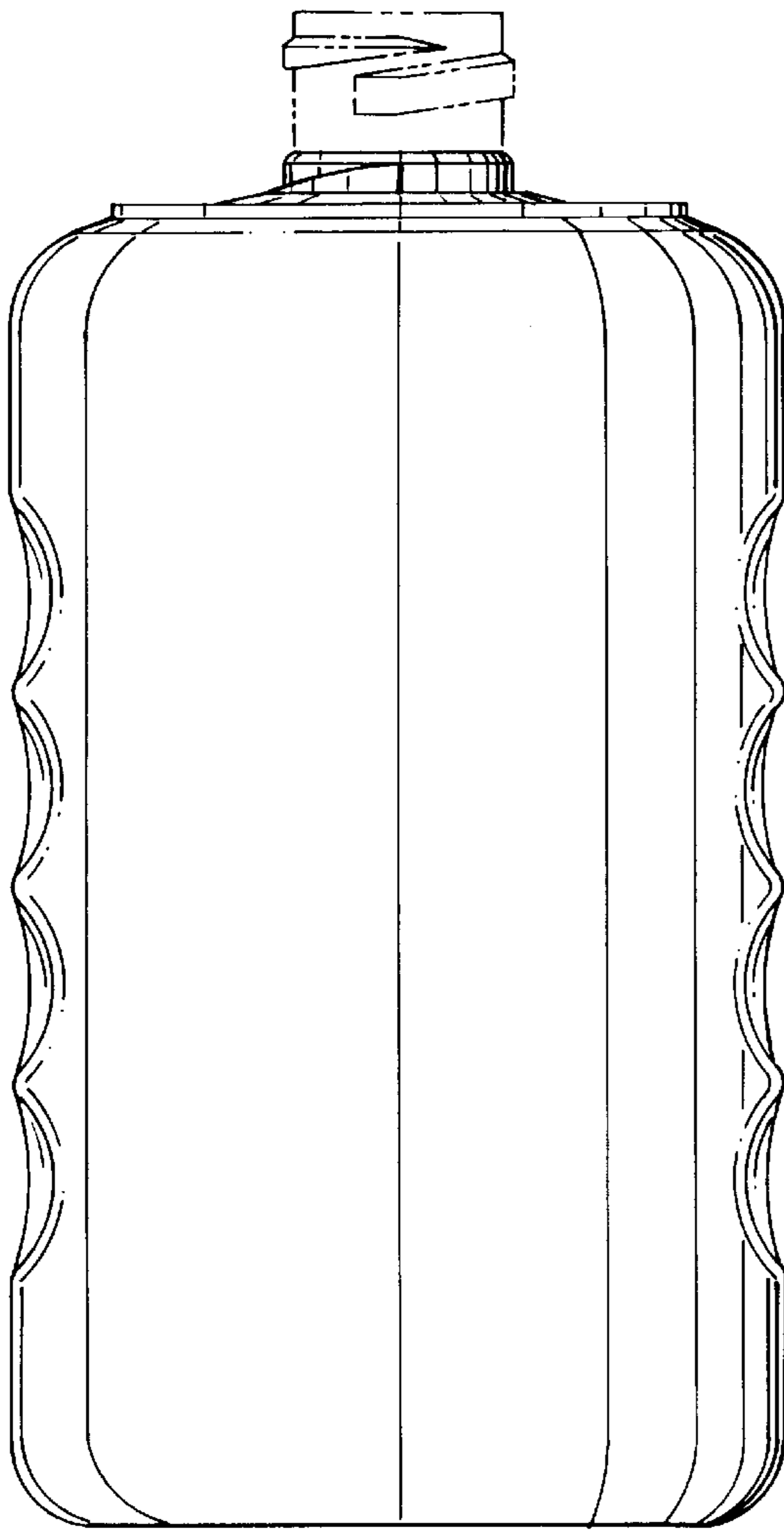


FIG. 3

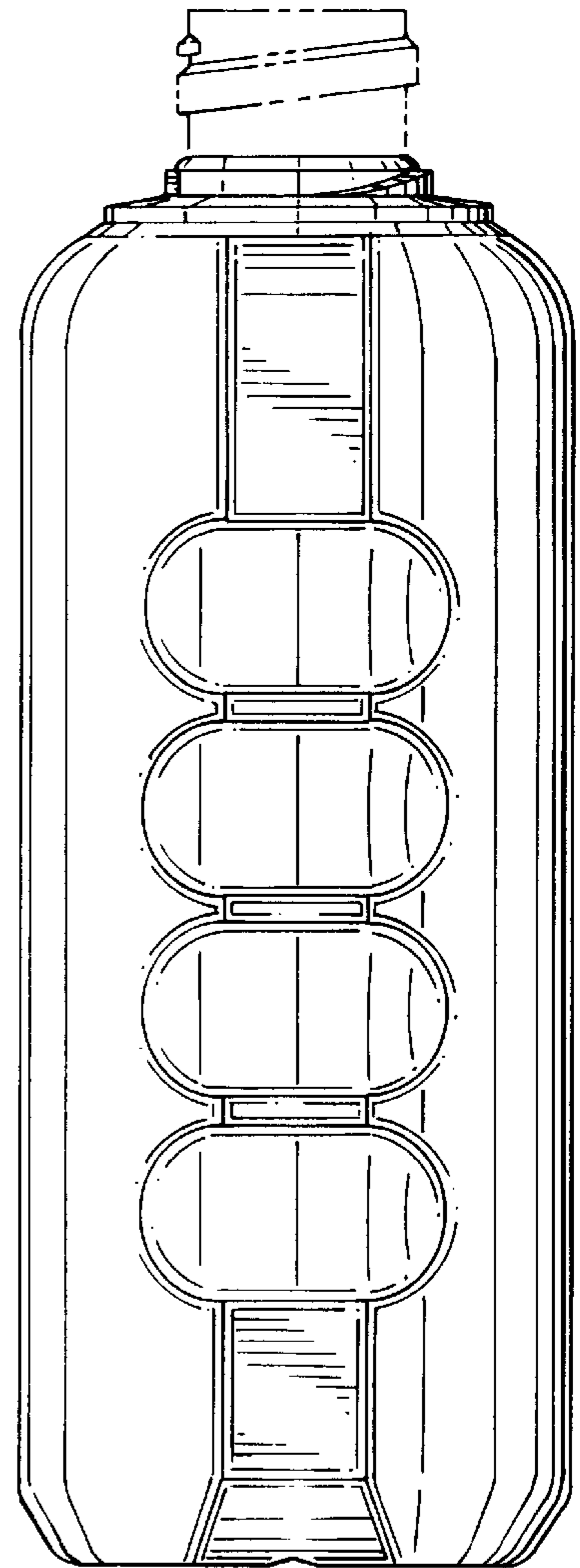


FIG. 4

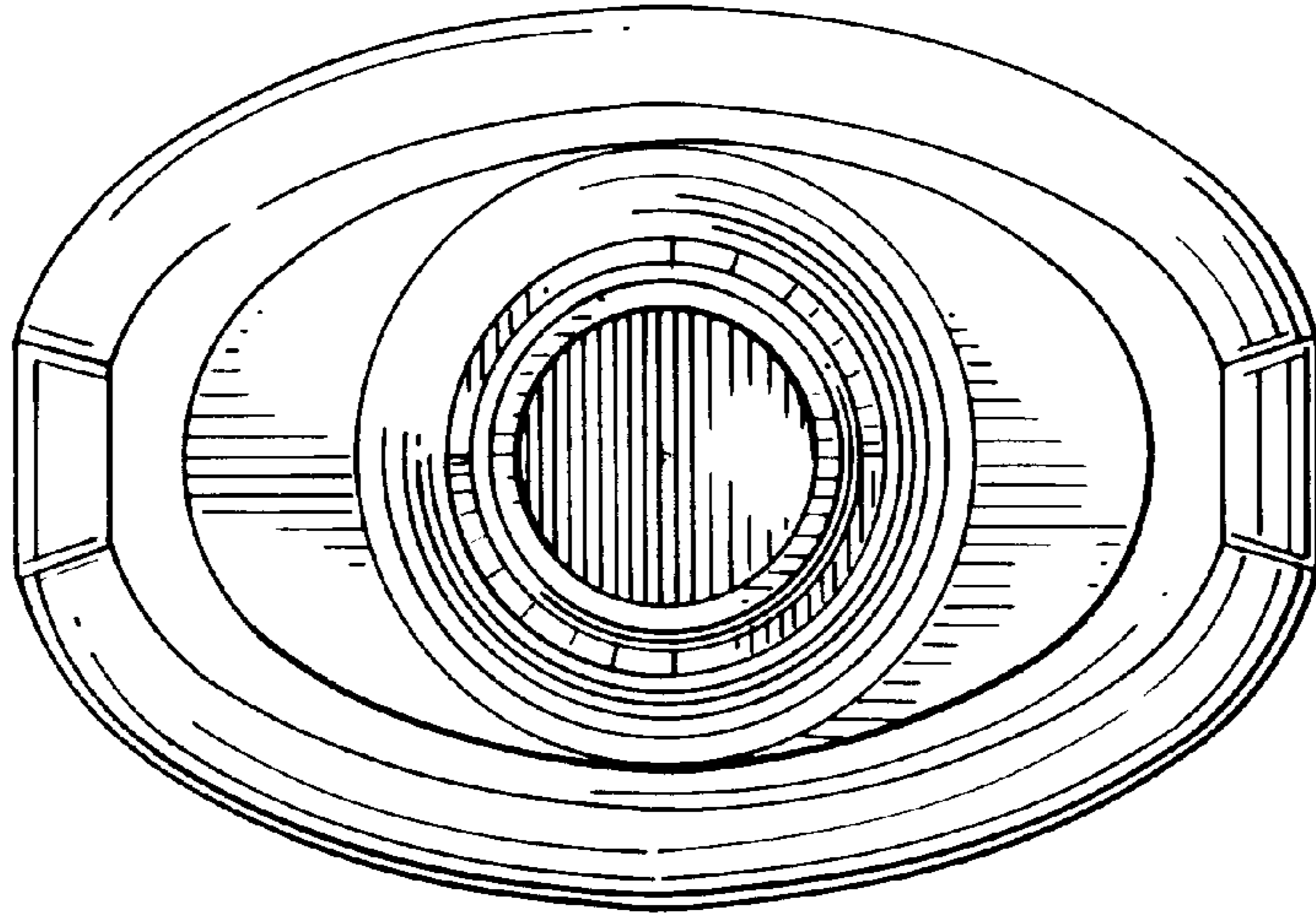


FIG. 5

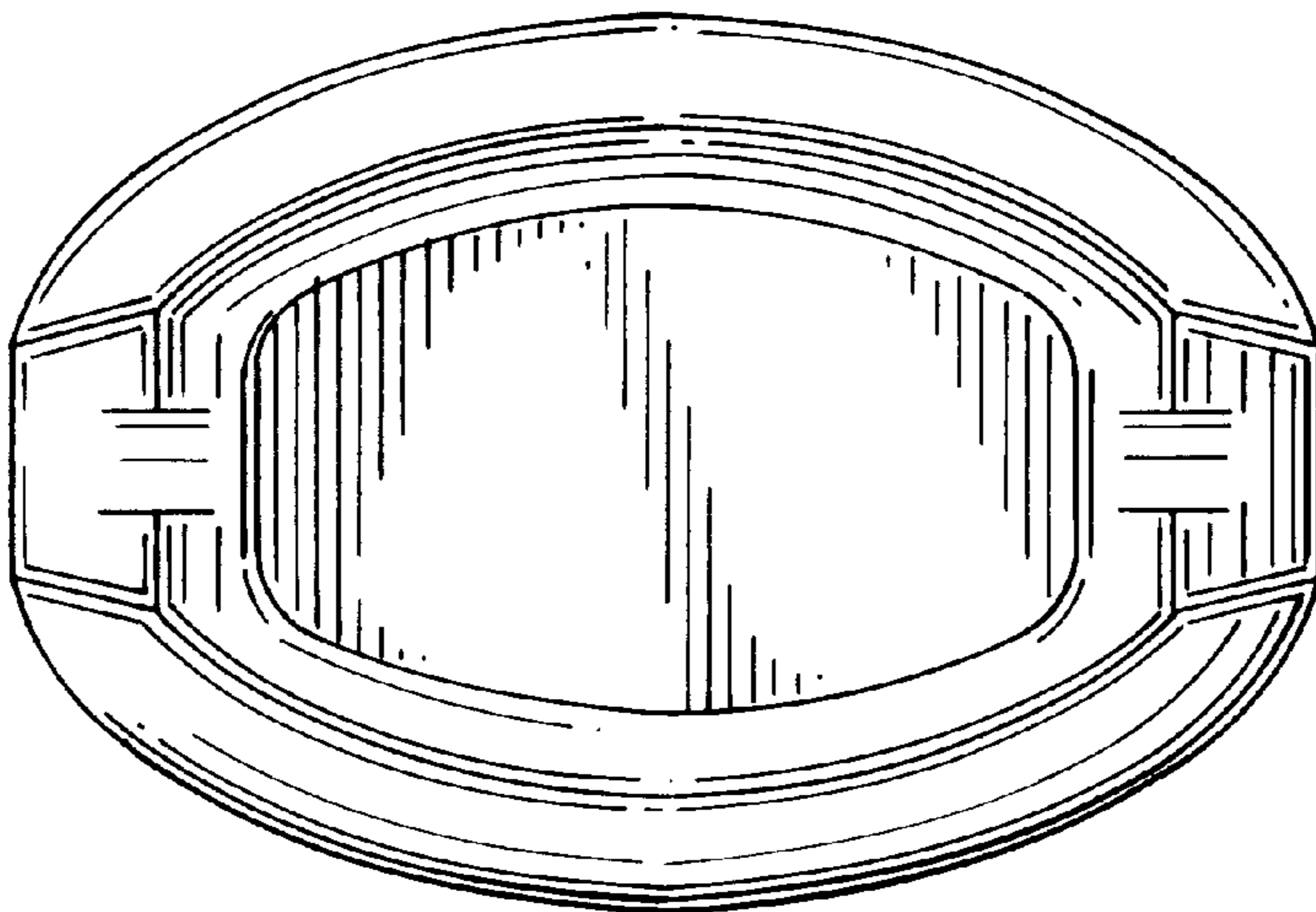


FIG. 6

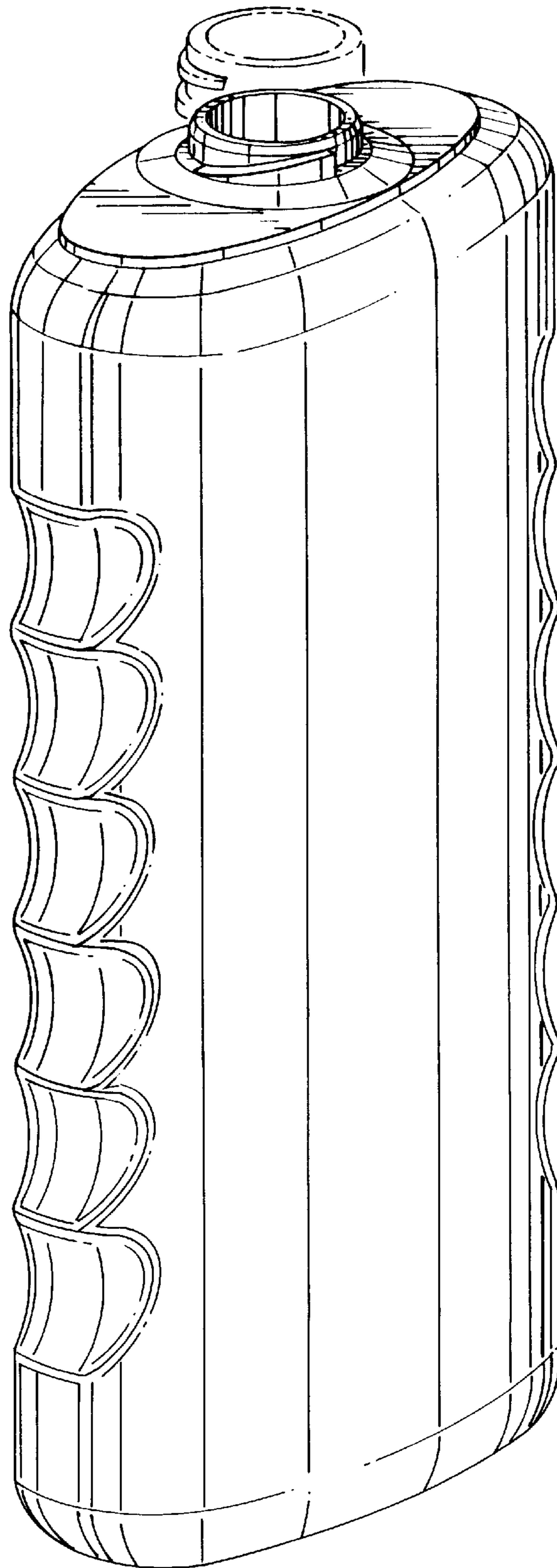


FIG. 7

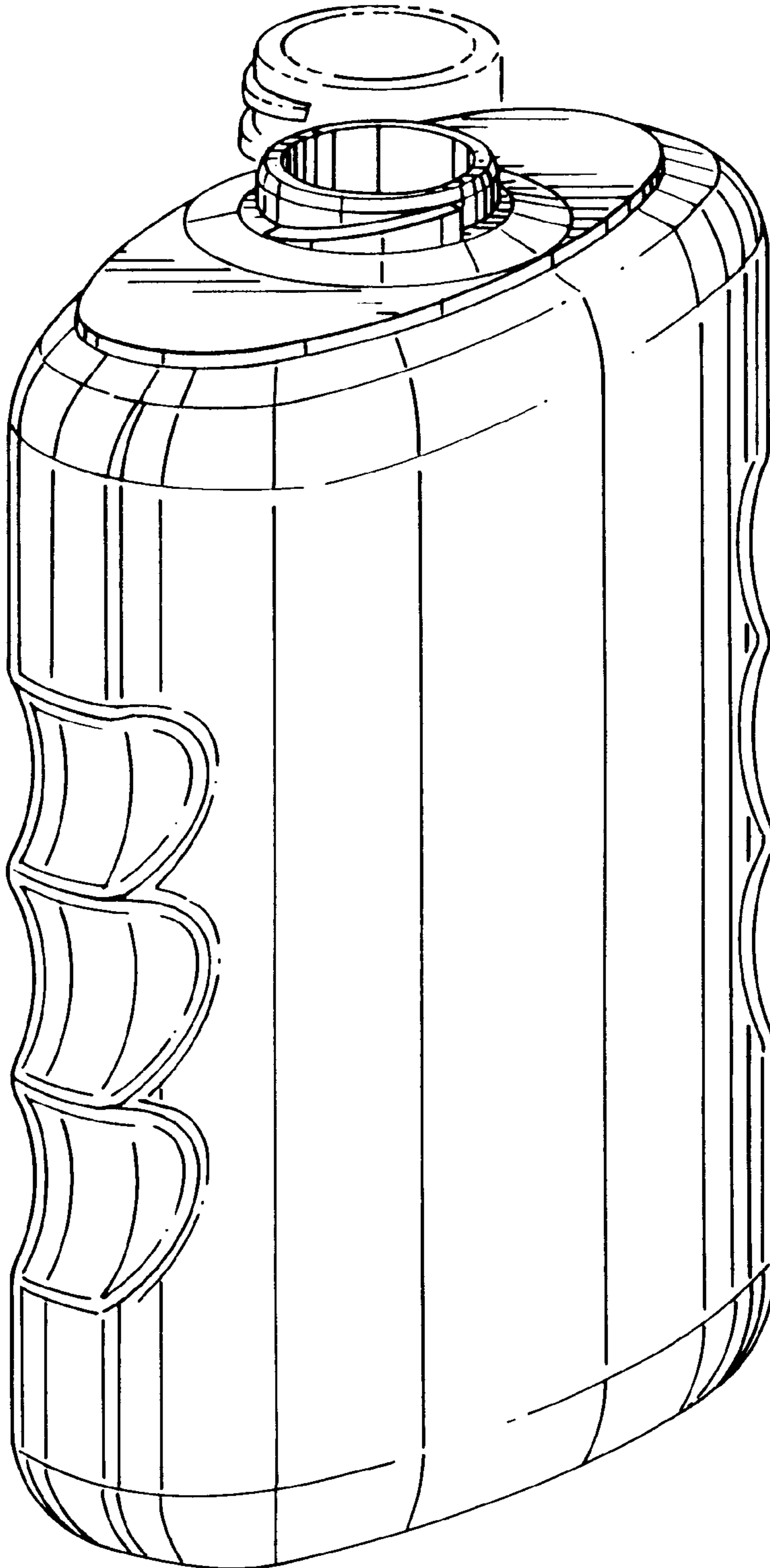


FIG. 8

