



US00D422204S

# United States Patent [19]

[11] Patent Number: Des. 422,204

Holloway et al.

[45] Date of Patent: \*\* Apr. 4, 2000

[54] CONDUIT HANGER

[76] Inventors: William L. Holloway; Fran L. Holloway, both of 312 Michigan Ave., Elyria, Ohio 44035

[\*\*] Term: 14 Years

[21] Appl. No.: 29/103,581

[22] Filed: Apr. 16, 1999

[51] LOC (6) Cl. .... 08-08

[52] U.S. Cl. .... D8/396; D8/356

[58] Field of Search ..... D8/380, 356, 373, D8/396; 248/57, 59, 62, 65, 72

### [56] References Cited

#### U.S. PATENT DOCUMENTS

3,273,837	9/1966	Willert et al. ....	248/59
4,172,578	10/1979	Pate .....	248/74 R
4,662,590	5/1987	Hungerford, Jr. ....	248/72
5,924,655	9/1998	Rinderer .....	248/55

#### OTHER PUBLICATIONS

Publication—Clic Electro—Electronic, Litchfield International, Inc., 1990 pp. 1–27.

Primary Examiner—Holly Baynham  
Attorney, Agent, or Firm—Sand & Sebolt

### [57] CLAIM

The ornamental design for a conduit hanger, as shown and described.

### DESCRIPTION

FIG. 1 is a top left perspective view of the conduit hanger showing our new design;

FIG. 2 is a bottom left perspective view of the conduit hanger of FIG. 1;

FIG. 3 is a top plan view of the conduit hanger of FIG. 1;

FIG. 4 is a front elevational view of the conduit hanger of FIG. 3;

FIG. 5 is a bottom plan view of the conduit hanger of FIG. 3;

FIG. 6 is a side elevational view of the conduit hanger of FIG. 3;

FIG. 7 is a top left perspective view of an alternative embodiment of the conduit hanger showing our new design;

FIG. 8 is a bottom left perspective view of the conduit hanger of FIG. 7;

FIG. 9 is a top plan view of the conduit hanger of FIG. 7;

FIG. 10 is a front elevational view of the conduit hanger of FIG. 9;

FIG. 11 is a bottom plan view of the conduit hanger of FIG. 9; and,

FIG. 12 is a side elevational view of the conduit hanger of FIG. 9.

The broken line showing of a pipe is for illustrative purposes only and forms no part of the claimed design.

1 Claim, 4 Drawing Sheets

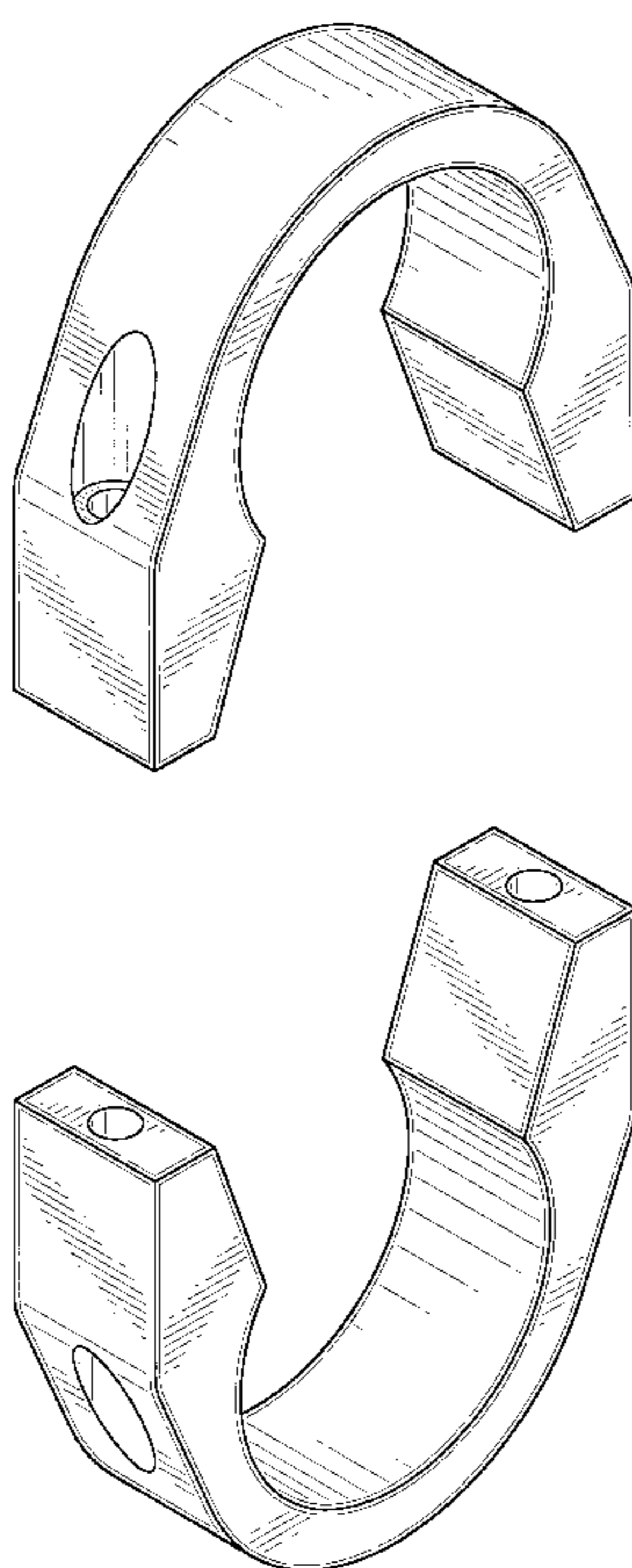


FIG-1

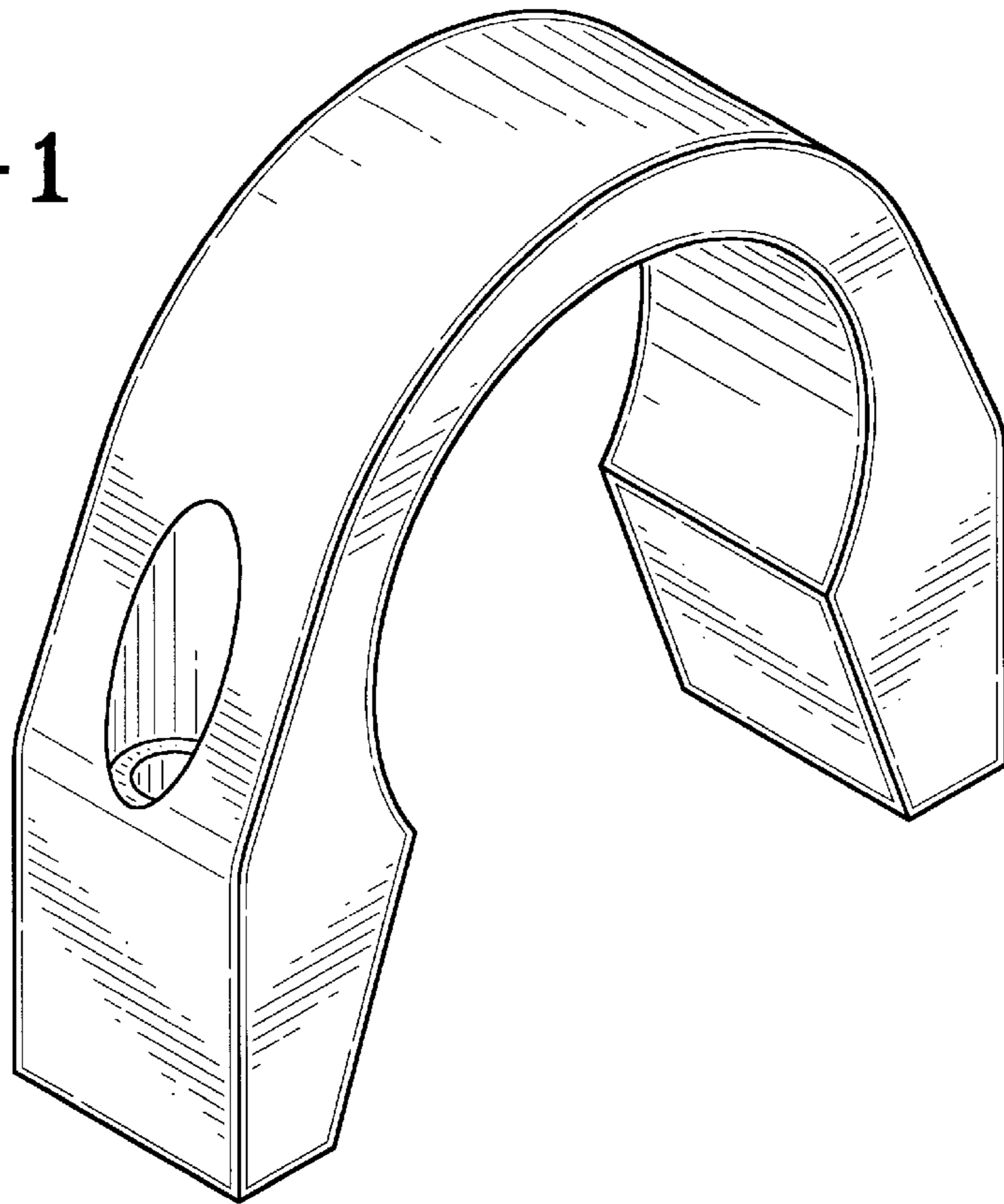
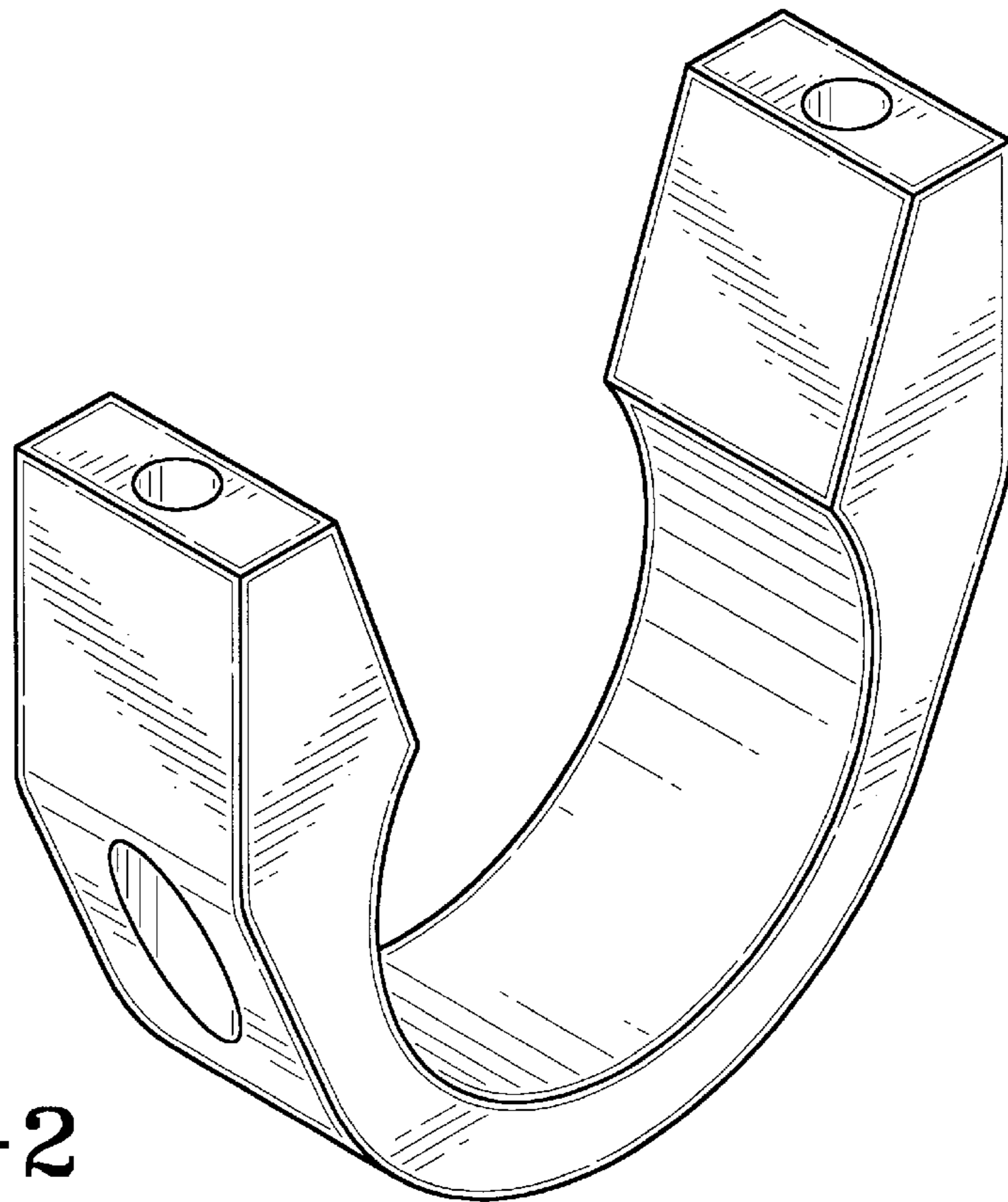


FIG-2



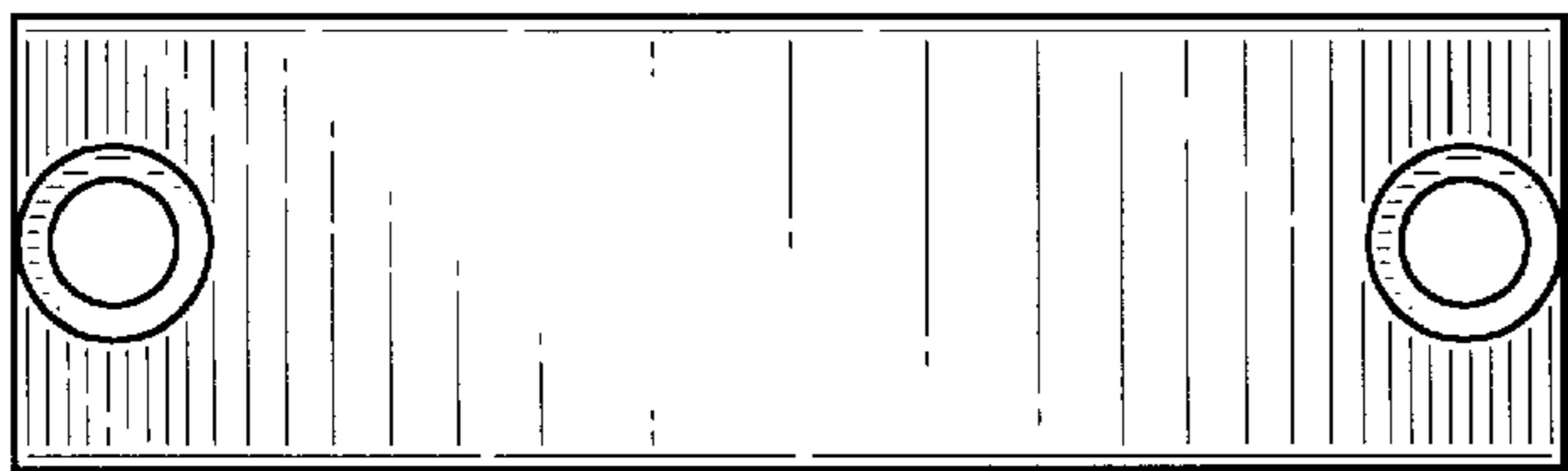


FIG-3

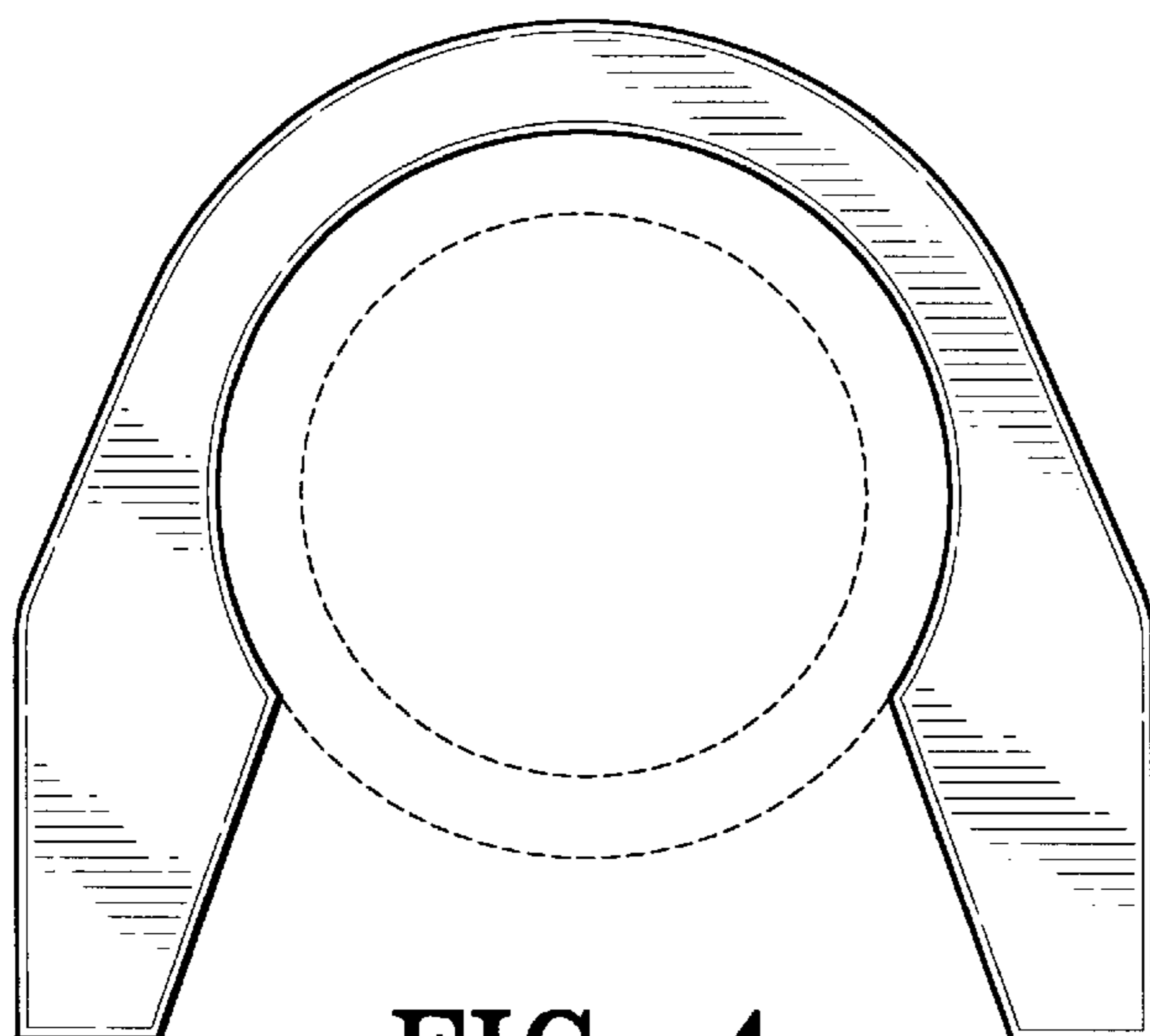


FIG-4

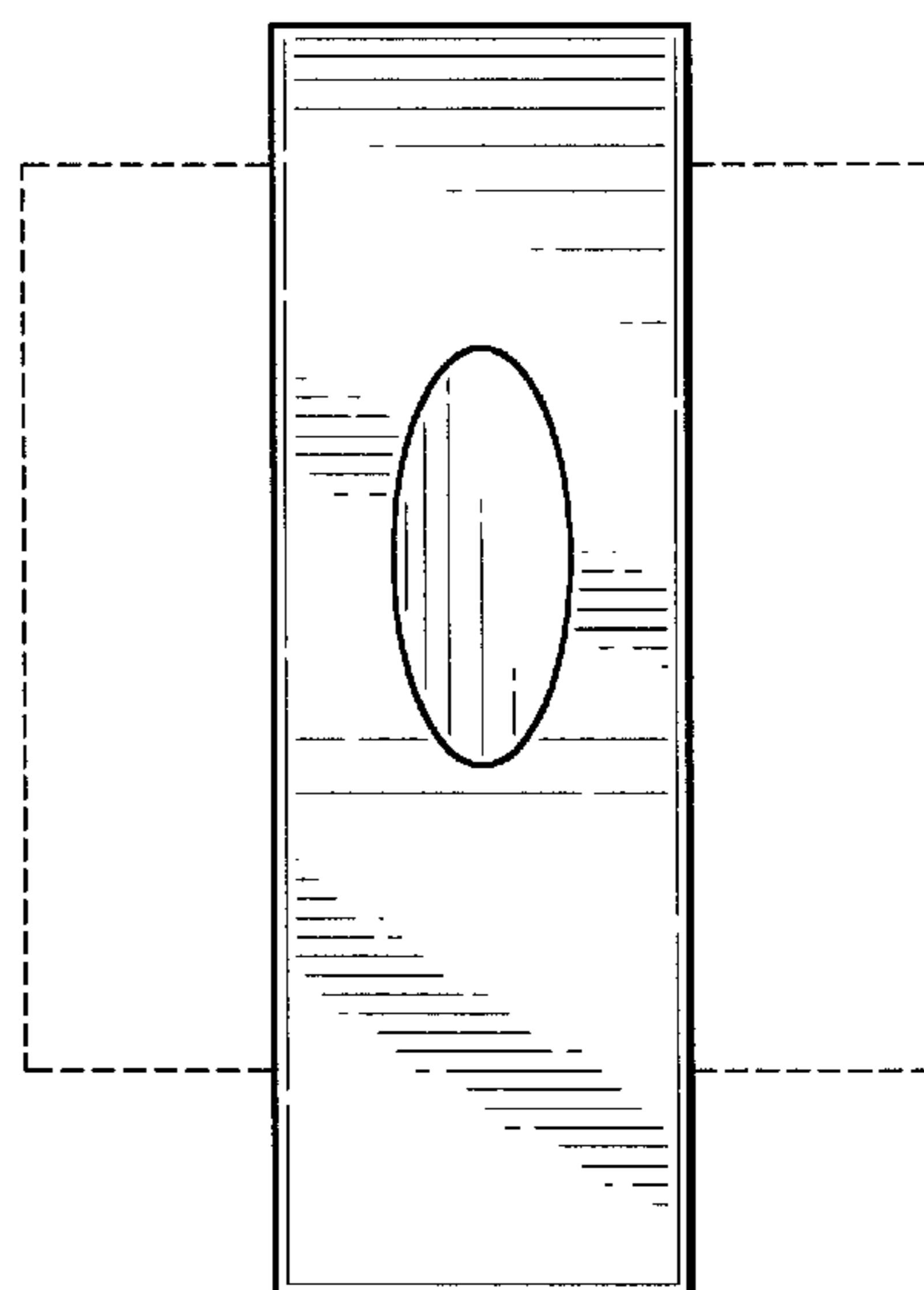


FIG-6

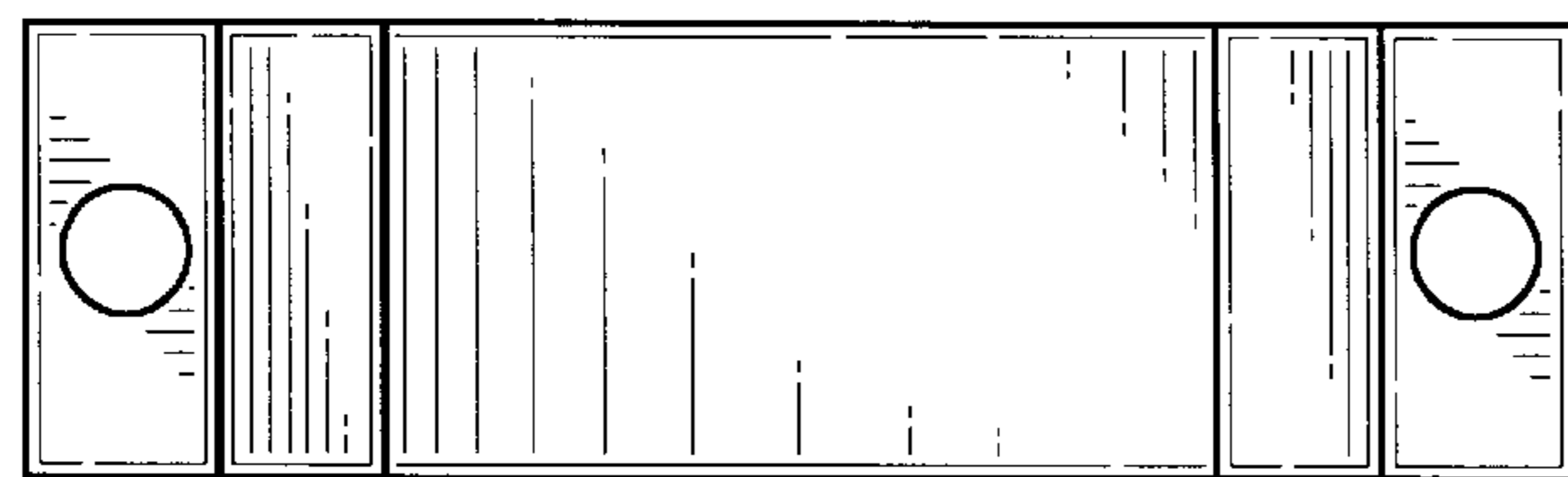


FIG-5

FIG-7

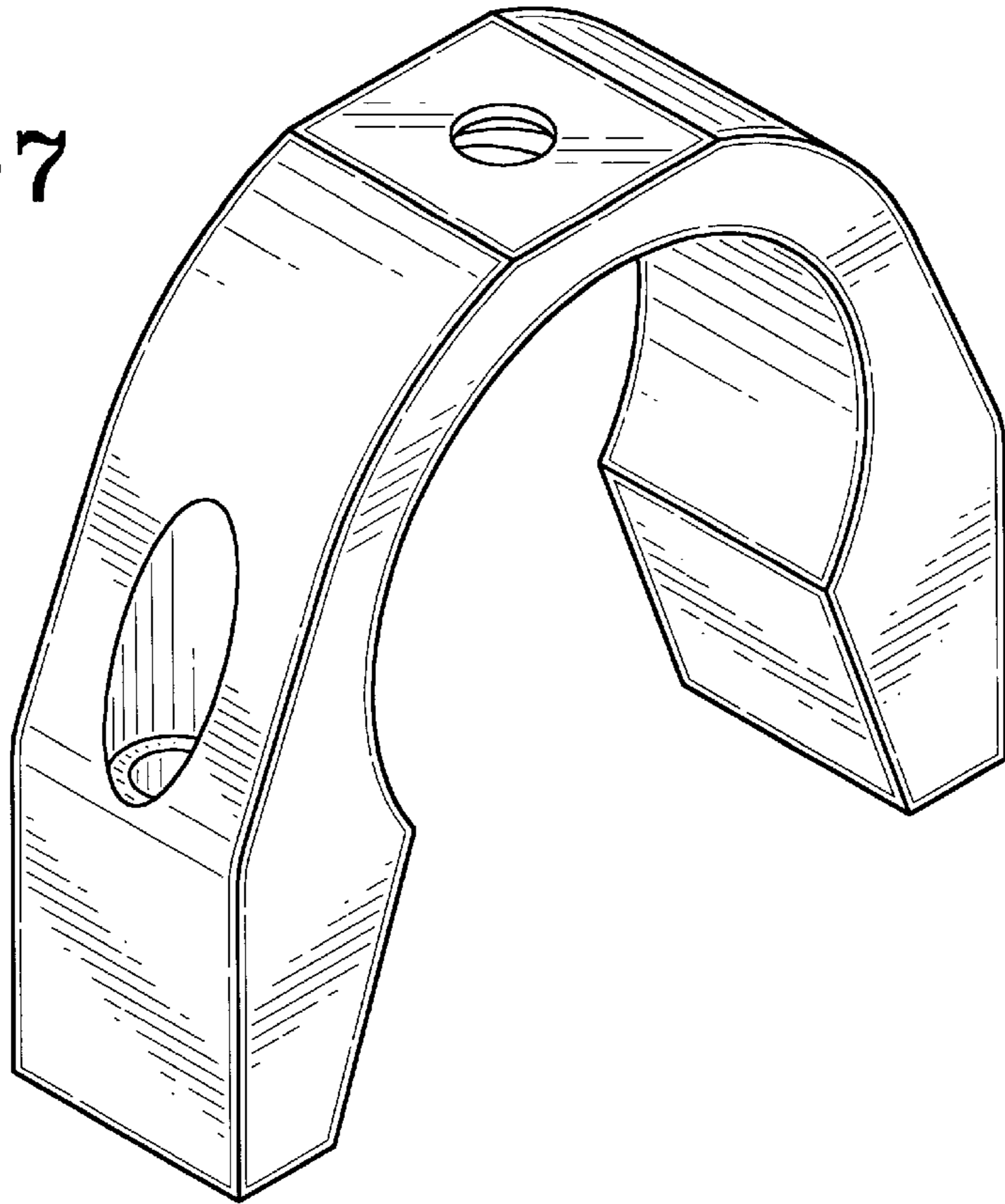
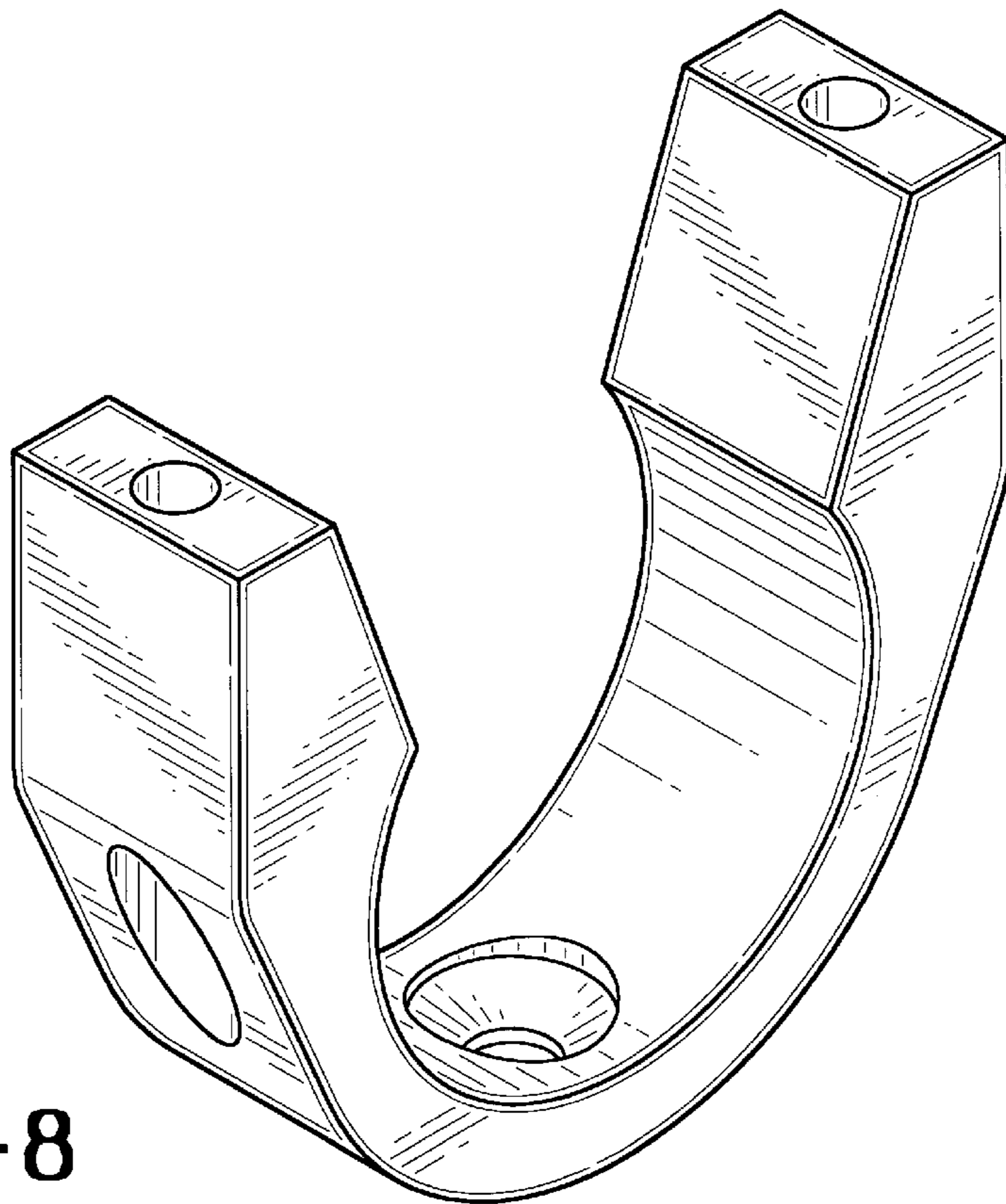


FIG-8





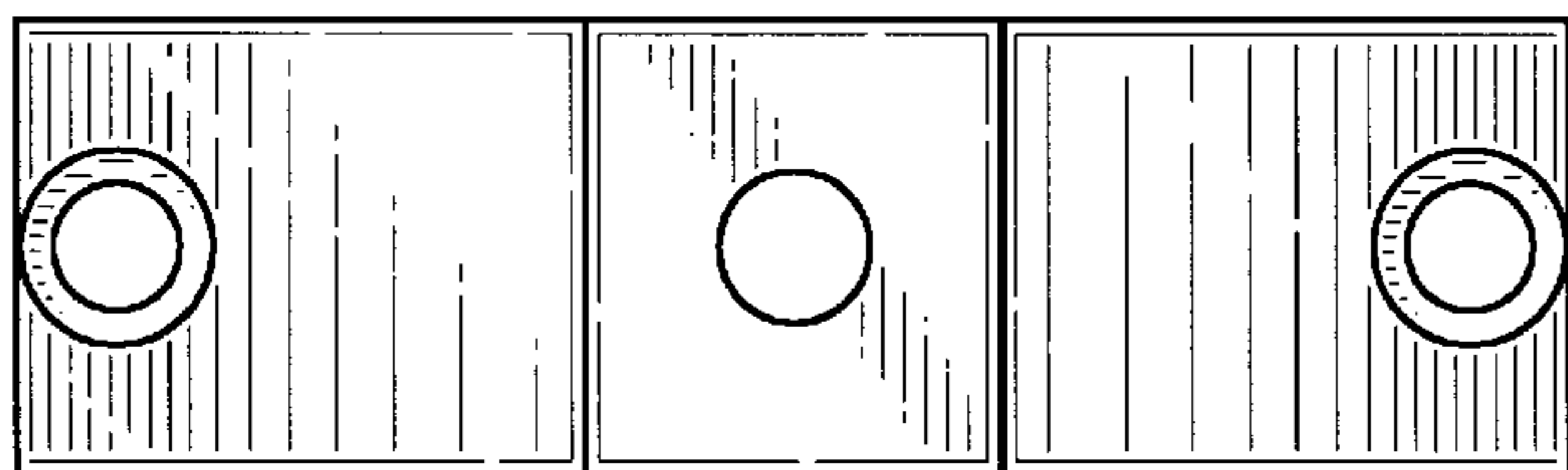


FIG-9

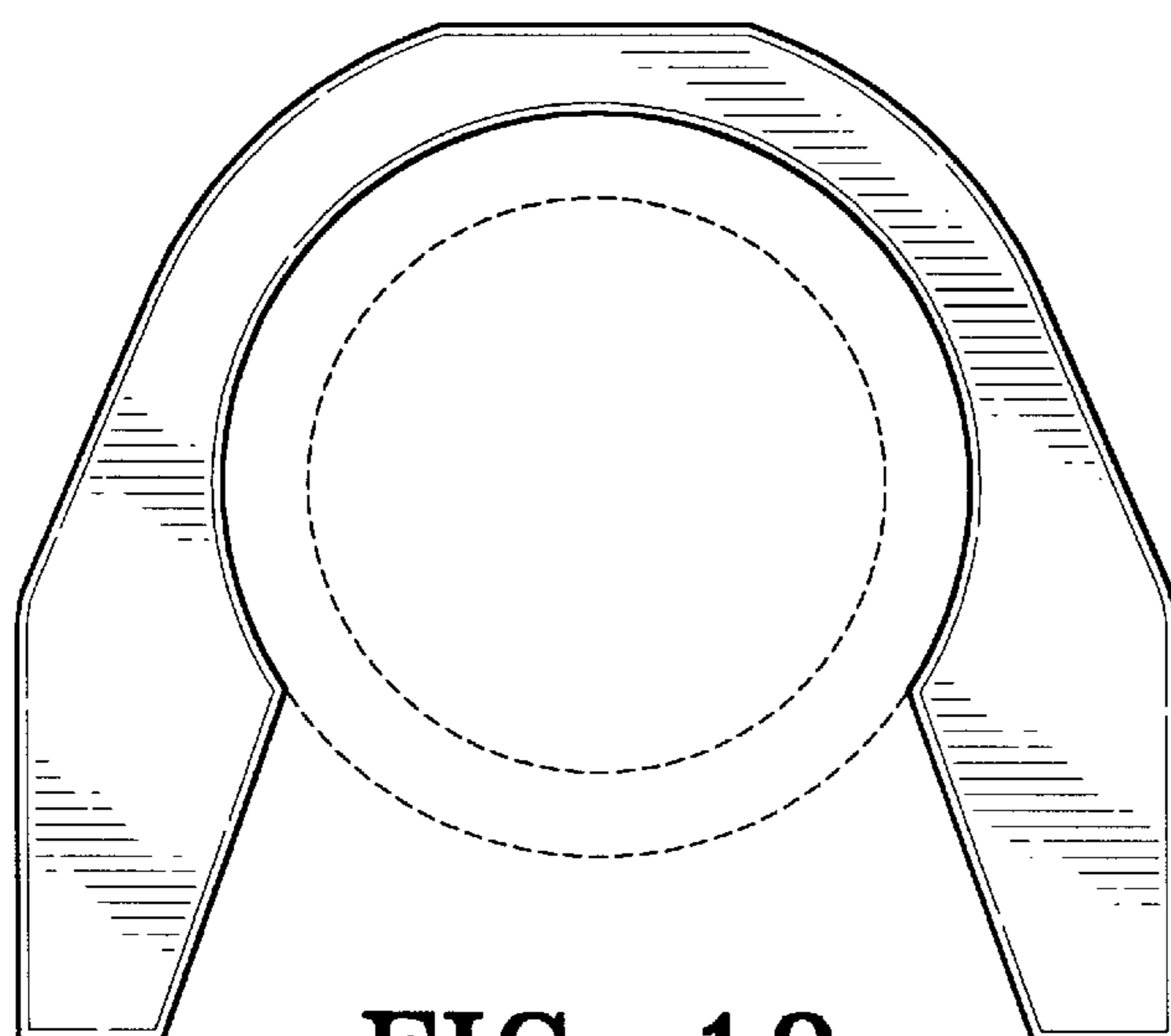


FIG-10

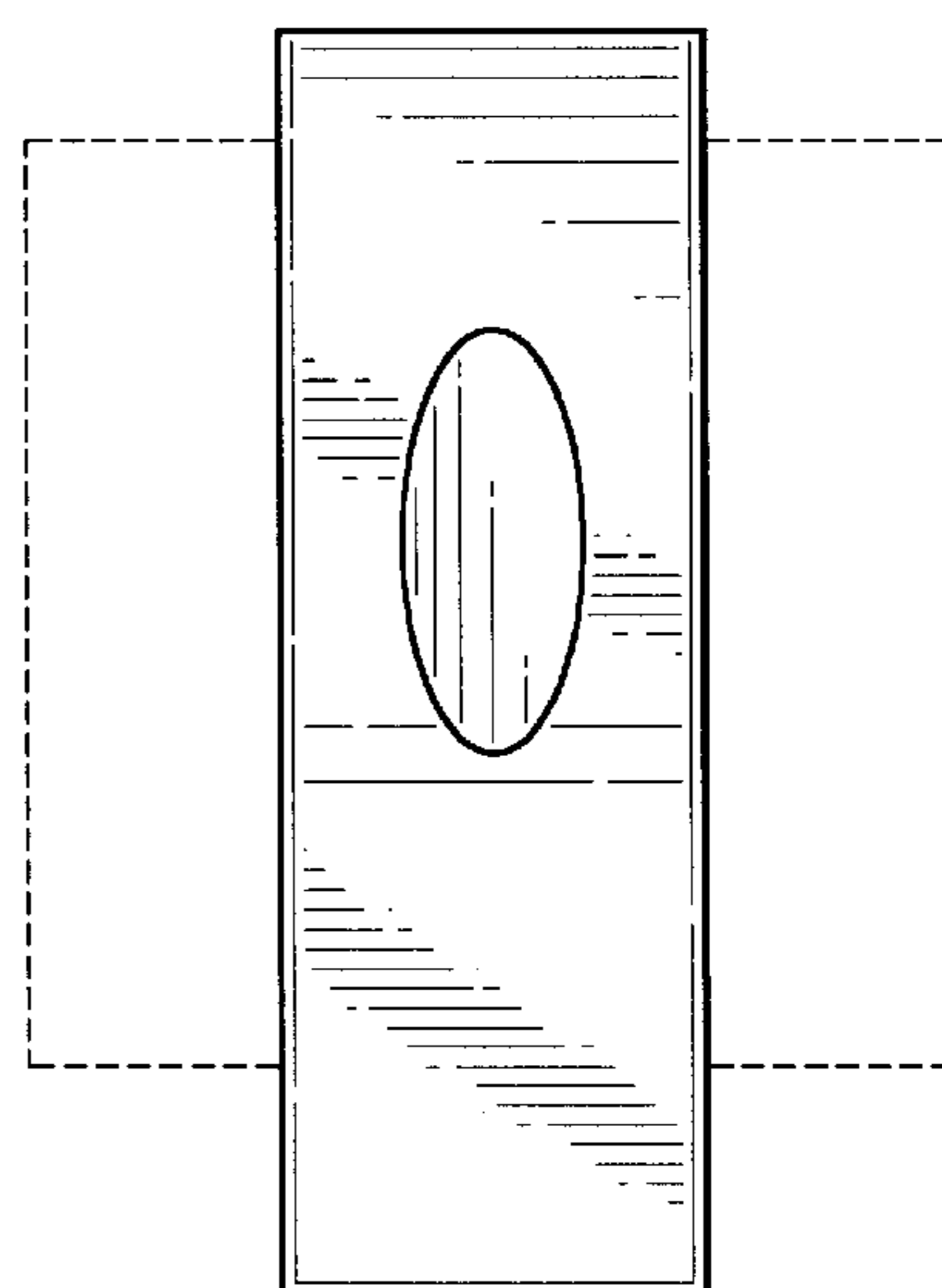


FIG-12

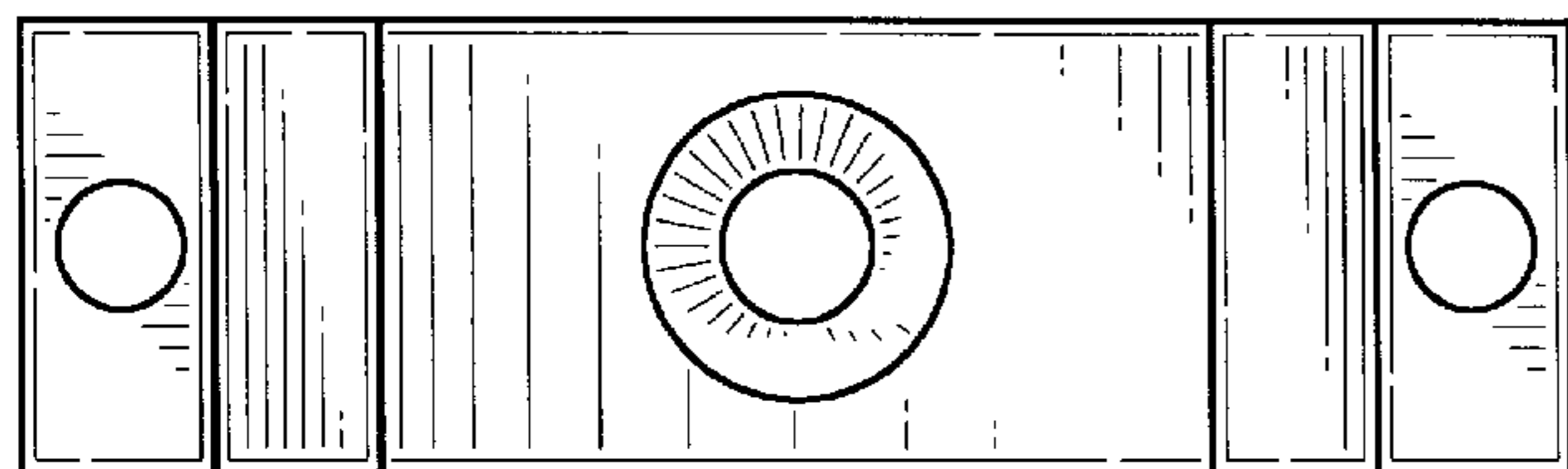


FIG-11