



US00D422201S

United States Patent [19]

[11] **Patent Number: Des. 422,201**

Jarnagin et al.

[45] **Date of Patent: ** Apr. 4, 2000**

[54] **BASEBOARD CONNECTOR**

OTHER PUBLICATIONS

[75] Inventors: **Jerry D. Jarnagin**, Mapleton; **Dennis W. Dawson**, Carlton, both of Ill.

Fourteen (14) photographs (individually numbered) of Beaver Industries' Commercial Embodiment publicly available at least as early as Mar. 7, 1998.

[73] Assignee: **Basement De-Watering Systems, Inc.**, Canton, Ill.

Primary Examiner—Holly Baynham
Attorney, Agent, or Firm—Alston & Bird LLP

[**] Term: **14 Years**

[57] **CLAIM**

[21] Appl. No.: **29/101,566**

The ornamental design for a baseboard connector, as shown and described.

[22] Filed: **Mar. 8, 1999**

DESCRIPTION

[51] **LOC (6) Cl.** **08-08**

[52] **U.S. Cl.** **D8/382**

[58] **Field of Search** D8/382; D13/139.2;
403/292; 439/66, 75

FIG. 1 is a perspective view of a baseboard connector showing our new design;

FIG. 2 is a left side rear elevational view thereof;

FIG. 3 is a right side rear elevational view thereof;

FIG. 4 is a left side elevational view thereof;

FIG. 5 is a top plan view thereof;

FIG. 6 is a bottom plan view thereof; and,

FIG. 7 is a right side elevational view thereof.

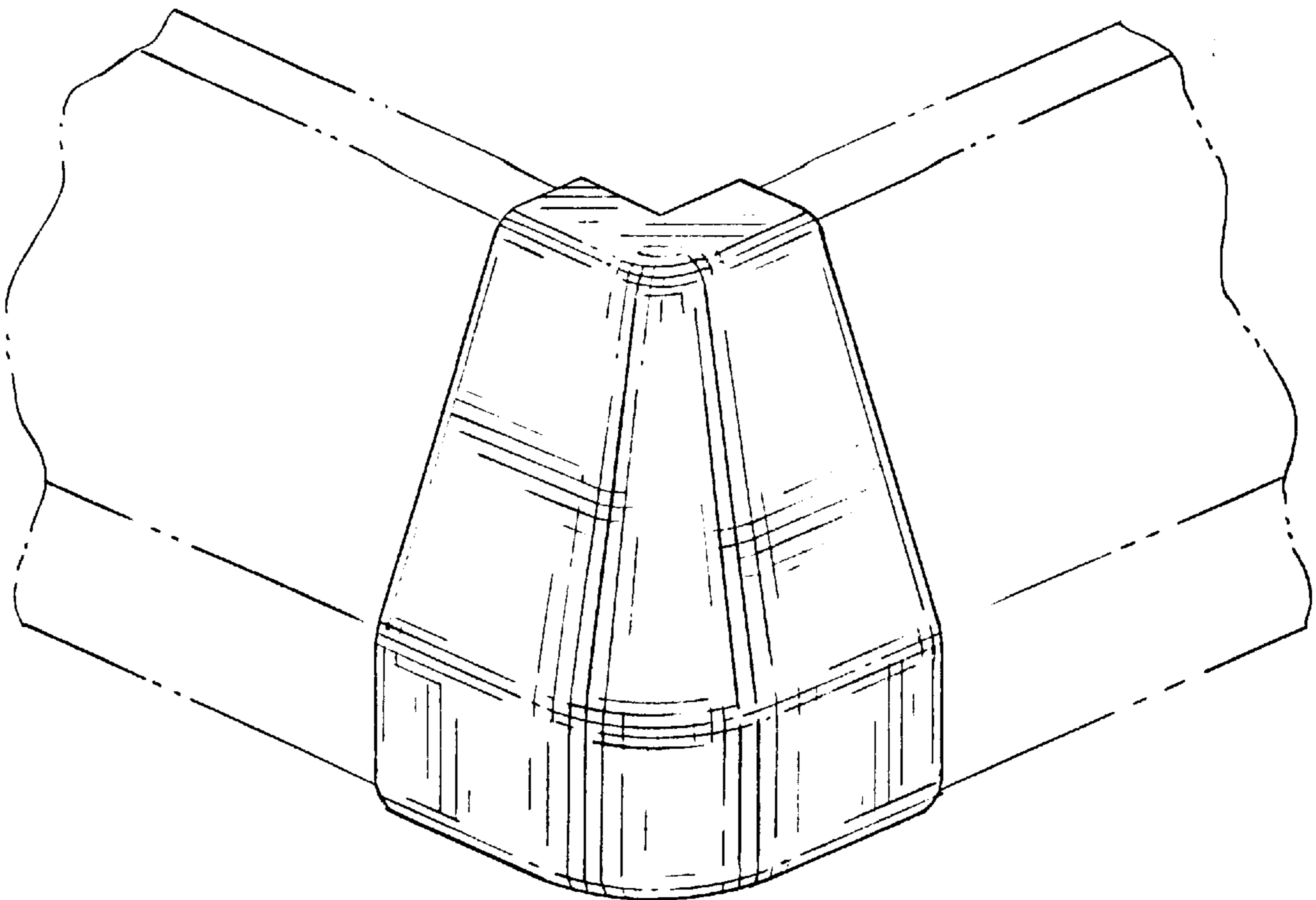
The broken lines shown herein are for illustrative purposes only and form no part of the claimed design.

[56] **References Cited**

U.S. PATENT DOCUMENTS

D. 398,222	9/1998	Julien	D8/382
3,344,569	10/1967	Cotten	.	
4,198,794	4/1980	Younts, Jr.	.	
4,391,071	7/1983	Schantz	.	
4,798,034	1/1989	Jarnagin et al.	.	
4,957,394	9/1990	Jarnagin et al.	.	

1 Claim, 2 Drawing Sheets



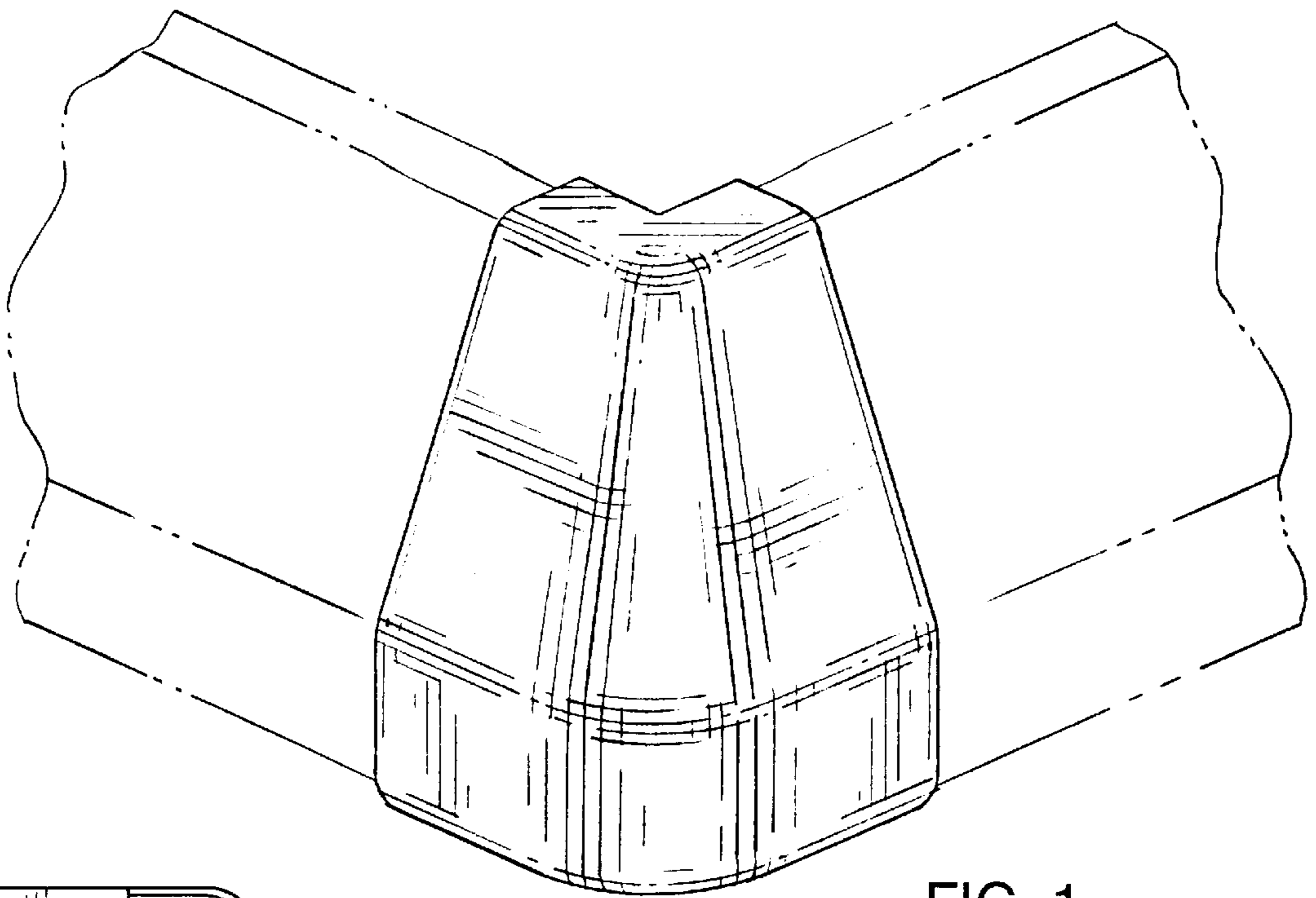


FIG. 1.

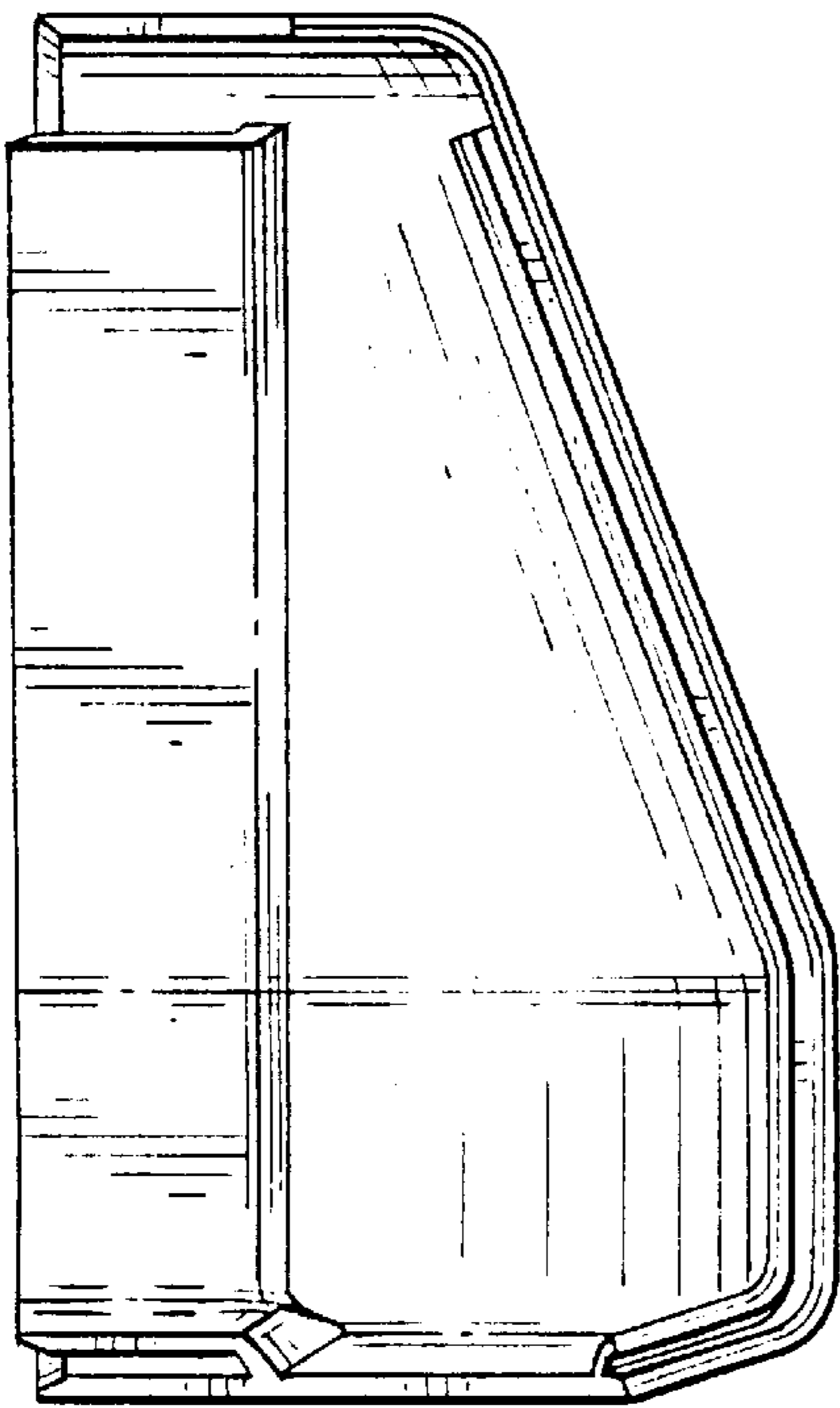


FIG. 2.

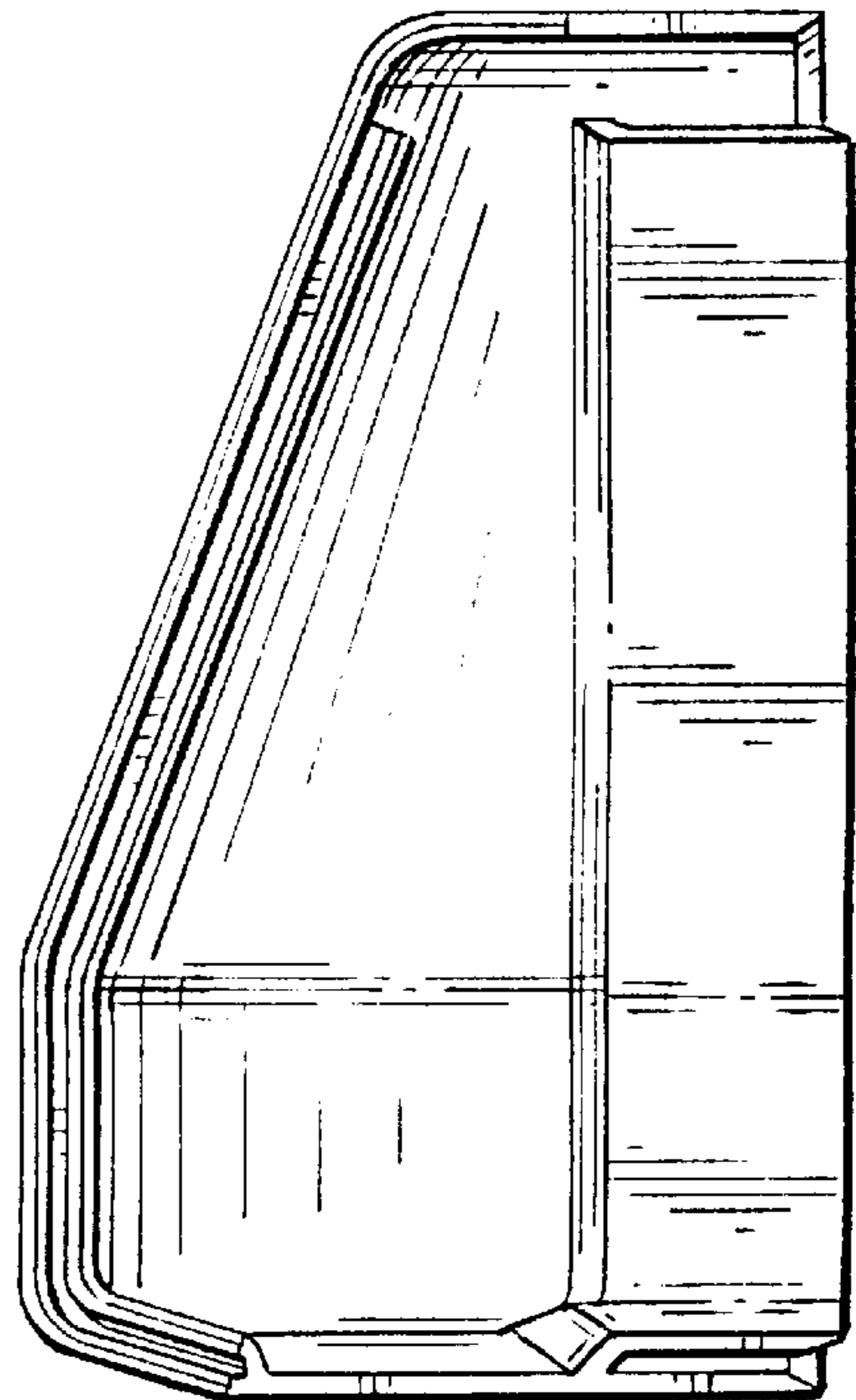


FIG. 3.

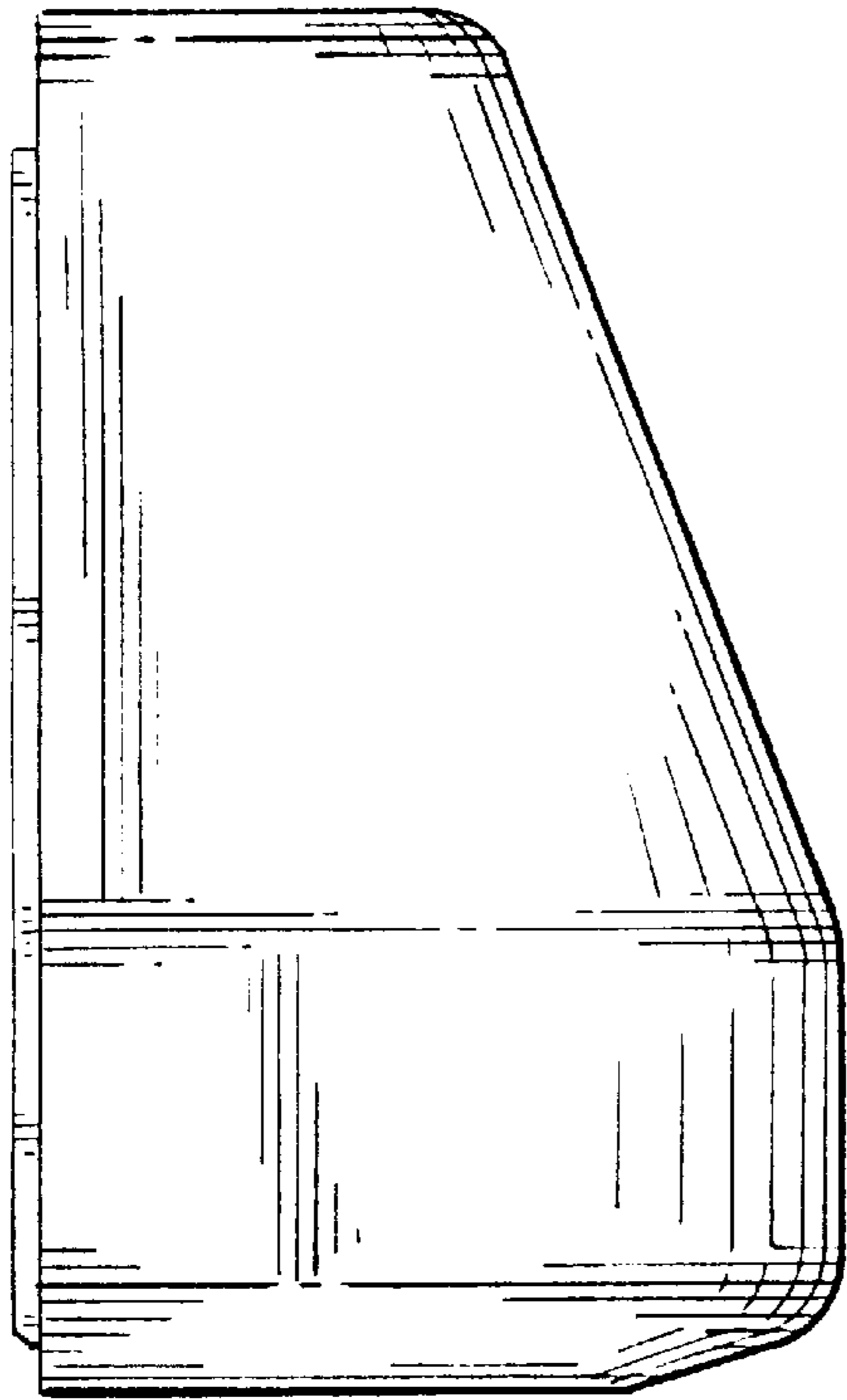


FIG. 4.

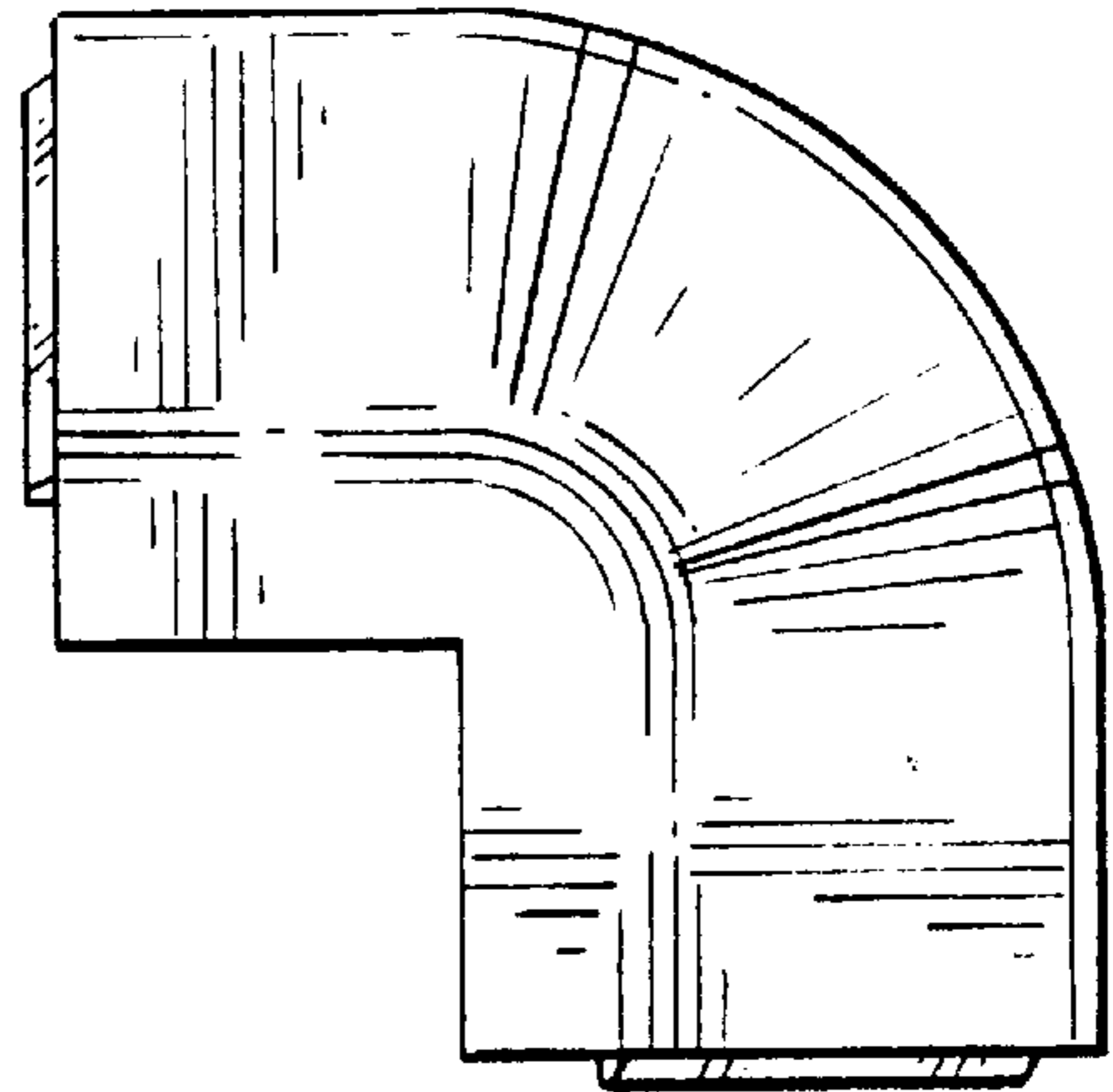


FIG. 5.

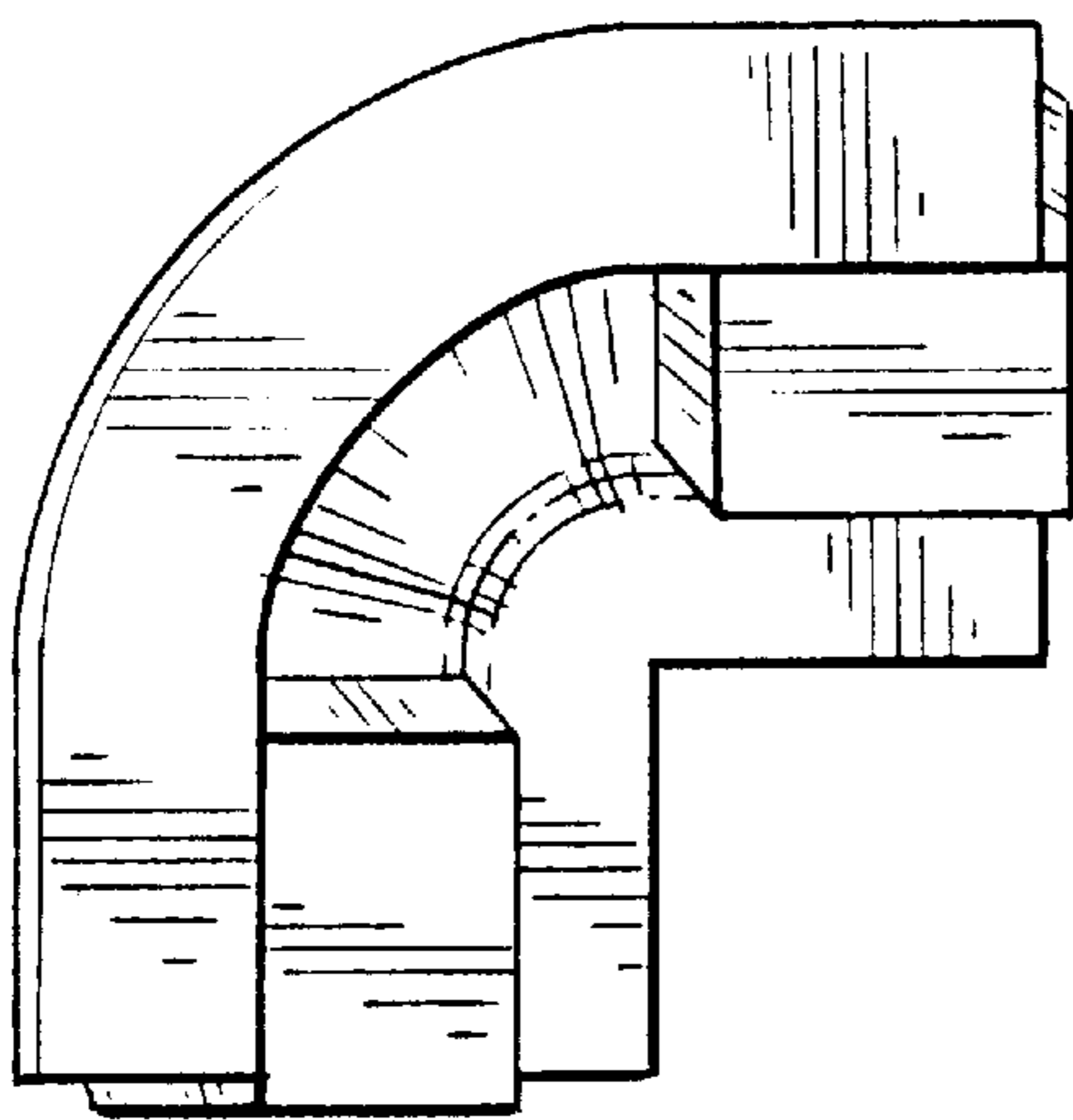


FIG. 6.

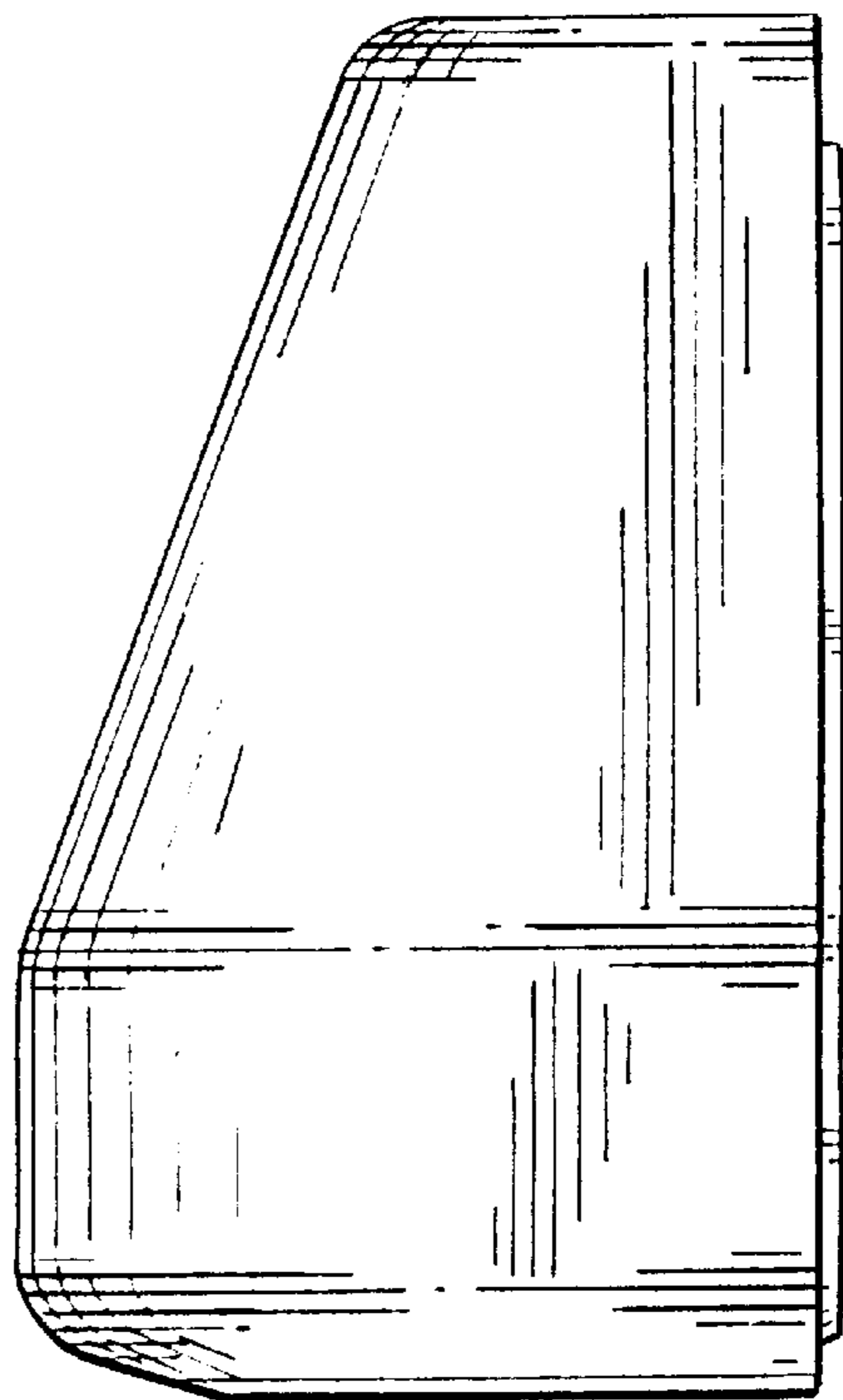


FIG. 7.

UNITED STATES PATENT AND TRADEMARK OFFICE
CERTIFICATE OF CORRECTION

PATENT NO. : Des 422,201
DATED : April 4, 2000
INVENTOR(S) : Jarnagin et al.

Page 1 of 1

It is certified that error appears in the above-identified patent and that said Letters Patent is hereby corrected as shown below:

Title page.

Item [75] Inventors, in the second Inventor's address, "Carlton" should read -- Canton --.

Signed and Sealed this

Twentieth Day of November, 2001

Attest:

Nicholas P. Godici

Attesting Officer

NICHOLAS P. GODICI
Acting Director of the United States Patent and Trademark Office