



US00D422200S

United States Patent [19]
Maruyama

[11] **Patent Number: Des. 422,200**

[45] **Date of Patent: ** Apr. 4, 2000**

[54] **WEDGE PIN**

[75] Inventor: **Sumio Maruyama**, Ashikaga, Japan

[73] Assignee: **U Builders' Workshop Co., Ltd.**,
Ashikaga, Japan

[**] Term: **14 Years**

[21] Appl. No.: **29/101,512**

[22] Filed: **Mar. 4, 1999**

[51] **LOC (6) Cl.** **08-08**

[52] **U.S. Cl.** **D8/382**

[58] **Field of Search** D8/387, 382; 411/349,
411/352, 347, 480, 484, 107-108, 403,
377, 431, 427

[56] **References Cited**

U.S. PATENT DOCUMENTS

1,989,018 1/1935 Norwood 411/352

OTHER PUBLICATIONS

Machine Design, p. 228, groove pin, item F circled in middle of page, Mar. 1963.

Primary Examiner—Holly Baynham

Attorney, Agent, or Firm—Oblon, Spivak, McClelland, Maier & Neustadt, P.C.

[57] **CLAIM**

The ornamental design for a wedge pin, as shown and described.

DESCRIPTION

FIG. 1 is a top and right front perspective view of a wedge pin, showing my new design;

FIG. 2 is a top and left rear perspective view thereof;

FIG. 3 is a front elevational view thereof;

FIG. 4 is a rear elevational view thereof;

FIG. 5 is a top plan view thereof;

FIG. 6 is a bottom plan view thereof; and,

FIG. 7 is a right side elevational view thereof.

The left side elevational view appears to be identical with the right side elevational view.

1 Claim, 2 Drawing Sheets

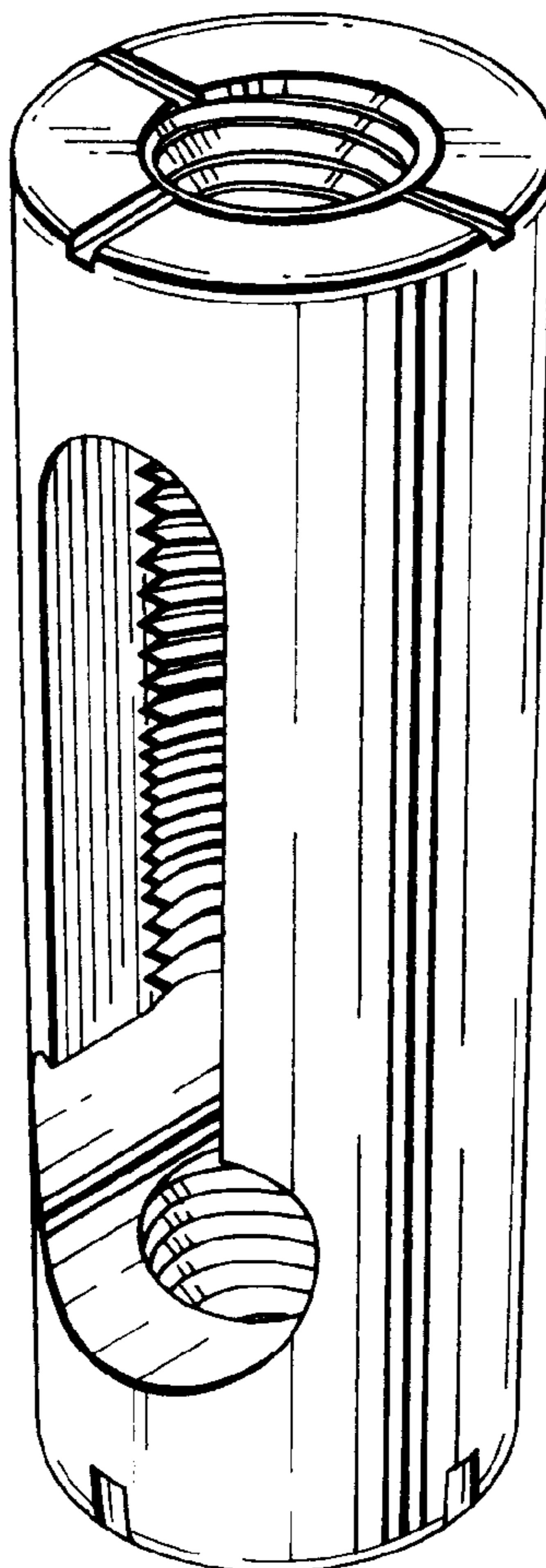


FIG.1

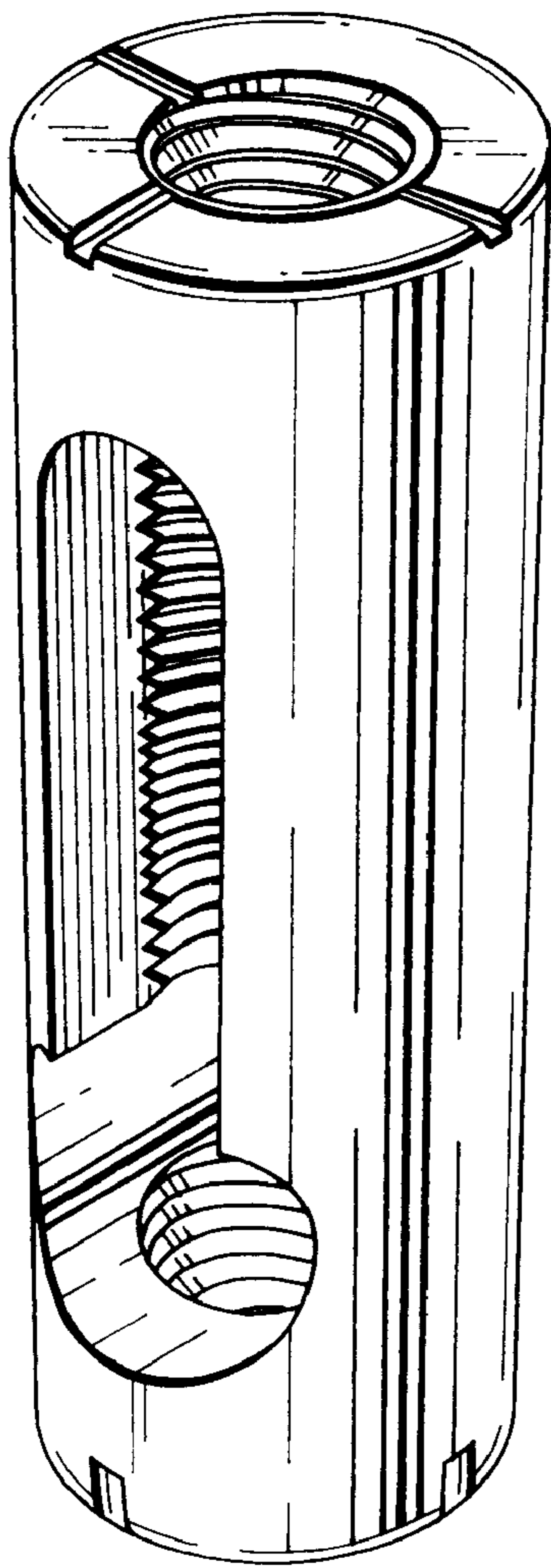


FIG.2



FIG.3

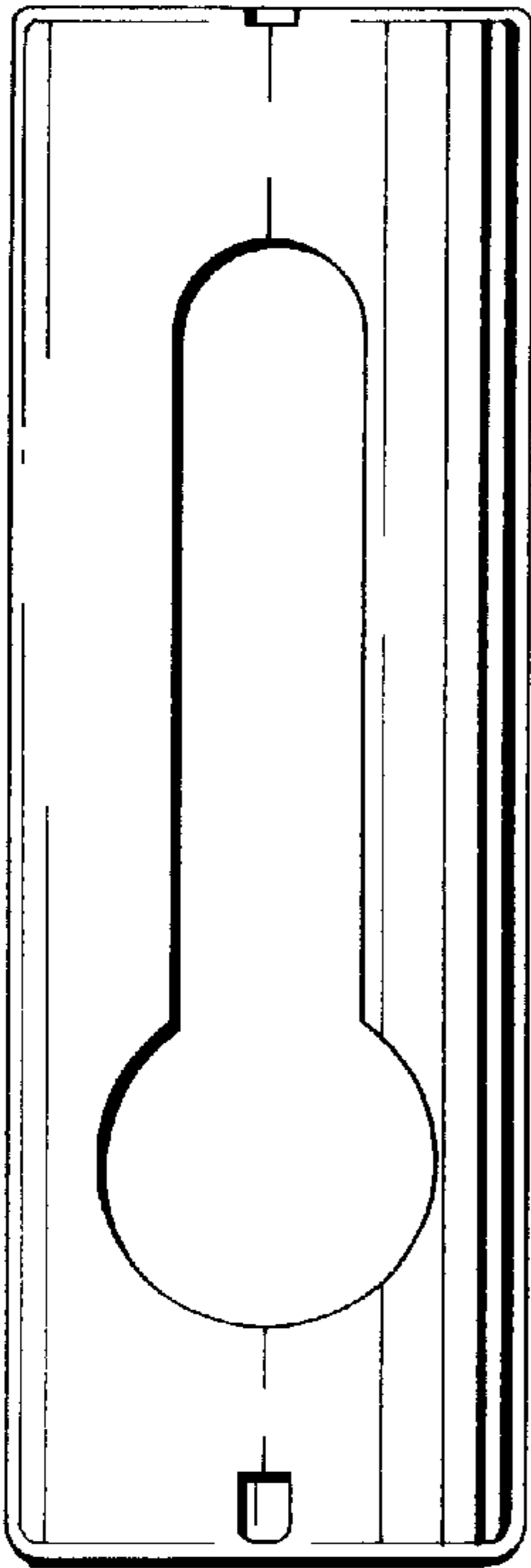


FIG.4

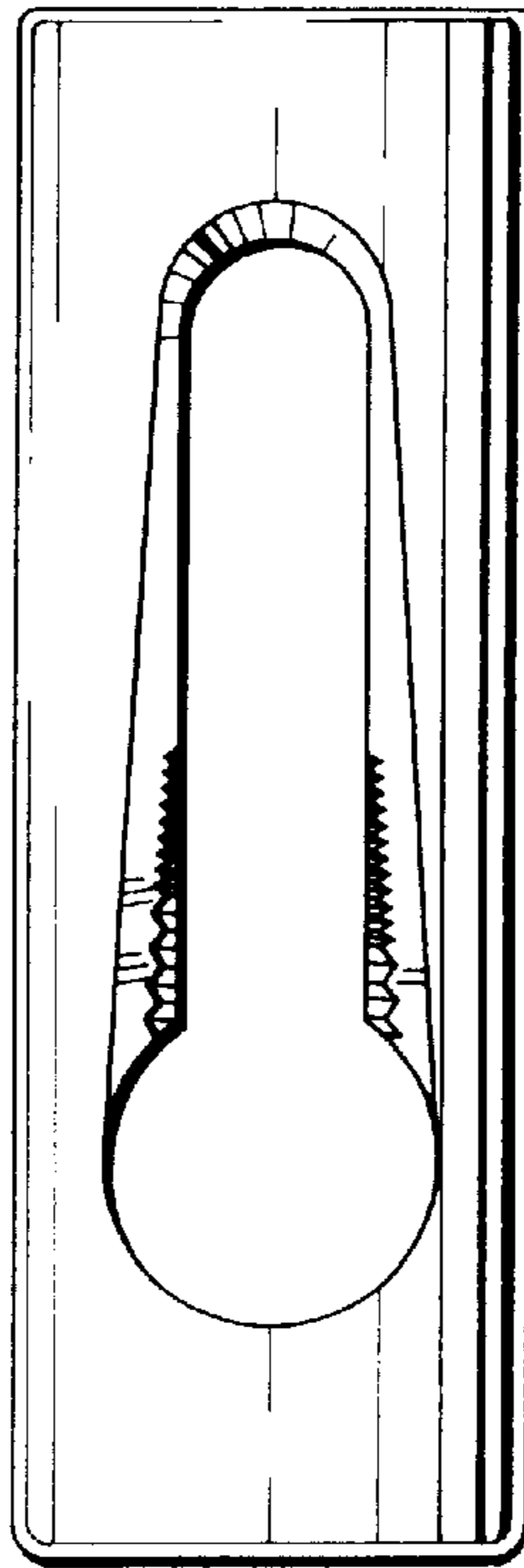


FIG.5

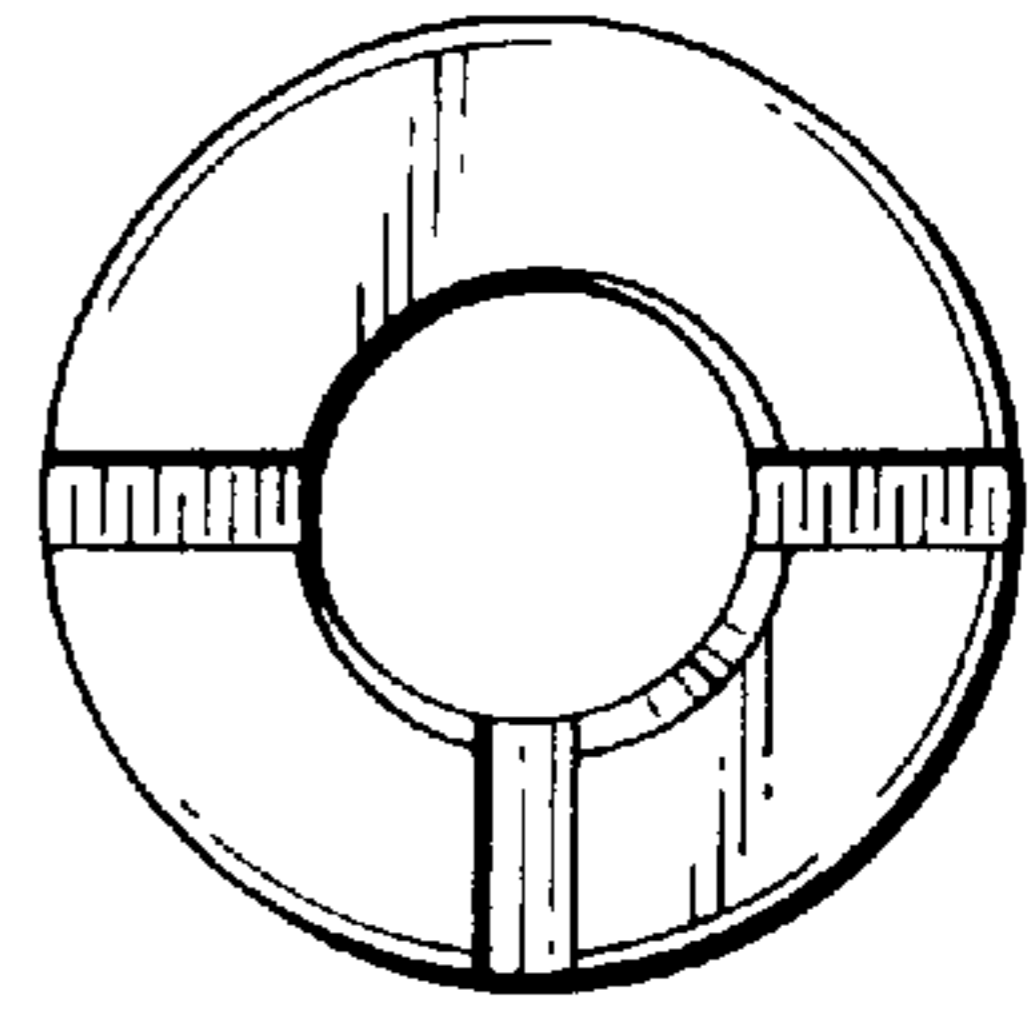


FIG.6

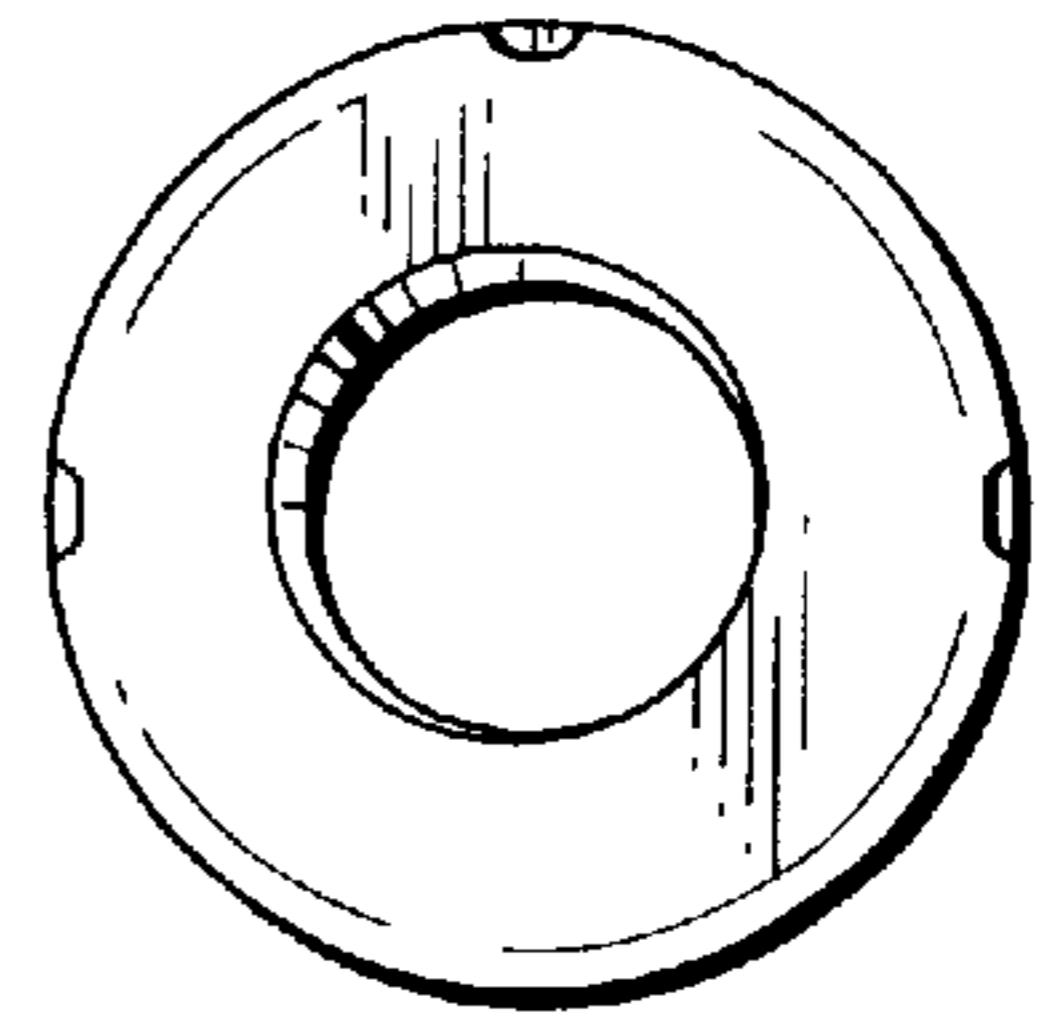


FIG.7

