



US00D422197S

United States Patent [19]

Kovacik et al.

[11] Patent Number: **Des. 422,197**

[45] Date of Patent: **** Apr. 4, 2000**

[54] **ELECTRICAL CORD STORAGE REEL**

[75] Inventors: **James D. Kovacik**, Brecksville; **Paul S. Blanch**, Broadview Heights; **Stanley E. Grzywna**, Elyria, all of Ohio

[73] Assignee: **Alert Stamping & Manufacturing Co., Inc.**, Bedford Heights, Ill.

[**] Term: **14 Years**

[21] Appl. No.: **29/108,840**

[22] Filed: **Aug. 4, 1999**

[51] **LOC (6) Cl.** **08-05**

[52] **U.S. Cl.** **D8/359**

[58] **Field of Search** D8/358, 359; 242/129.62, 242/405.1, 118.62, 118.4; 137/355.16, 355.19, 355.27

4,406,422 9/1983 Philips .
4,506,698 3/1985 Garcia et al. .
4,512,361 4/1985 Tisbo et al. .
4,777,976 10/1988 Johnson et al. .

OTHER PUBLICATIONS

Suncast Hose Reels, p. 5, hose reel, item A in middle of page, Aug. 1995.

Primary Examiner—Holly Baynham
Attorney, Agent, or Firm—MacMillan, Sobanski & Todd, LLC

[57] CLAIM

We claim the ornamental design for the electrical cord storage reel, as shown.

DESCRIPTION

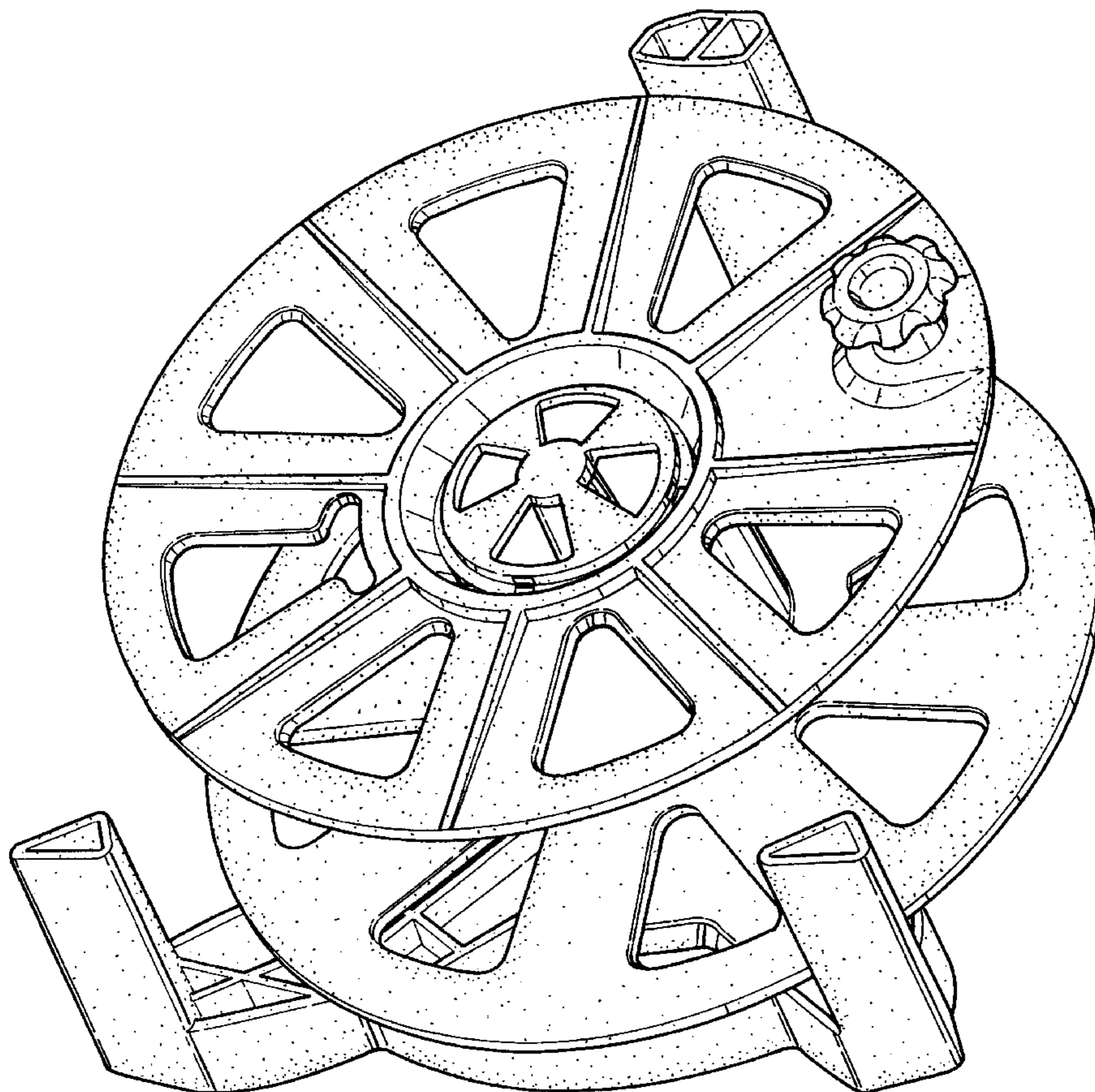
FIG. 1 is a front perspective view of the electrical cord storage reel of the present invention; FIG. 2 is a rear perspective view thereof; FIG. 3 is a right side elevation view thereof, the left side being a mirror image; FIG. 4 is a top plan view thereof; FIG. 5 is a front elevation view thereof; and, FIG. 6 is a bottom plan view thereof.

[56] References Cited

U.S. PATENT DOCUMENTS

D. 379,425	5/1997	Wright et al.	D8/359
D. 390,449	2/1998	Whitehead et al.	D8/359
2,856,470	10/1958	Hyde .	
3,908,277	9/1975	Rutty .	
4,133,416	1/1979	Deurloo .	
4,244,536	1/1981	Harrill .	

1 Claim, 4 Drawing Sheets



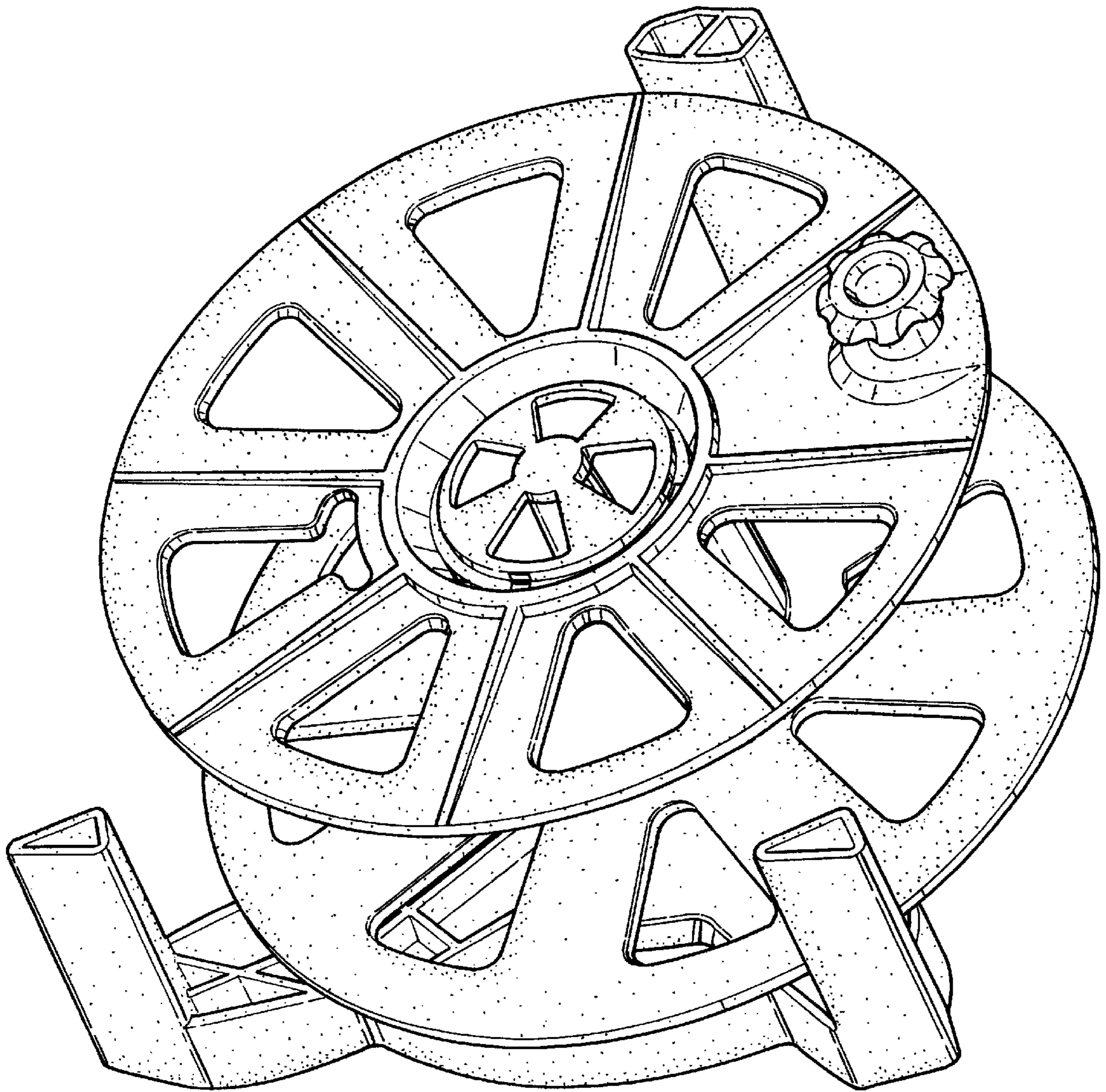


FIG-1

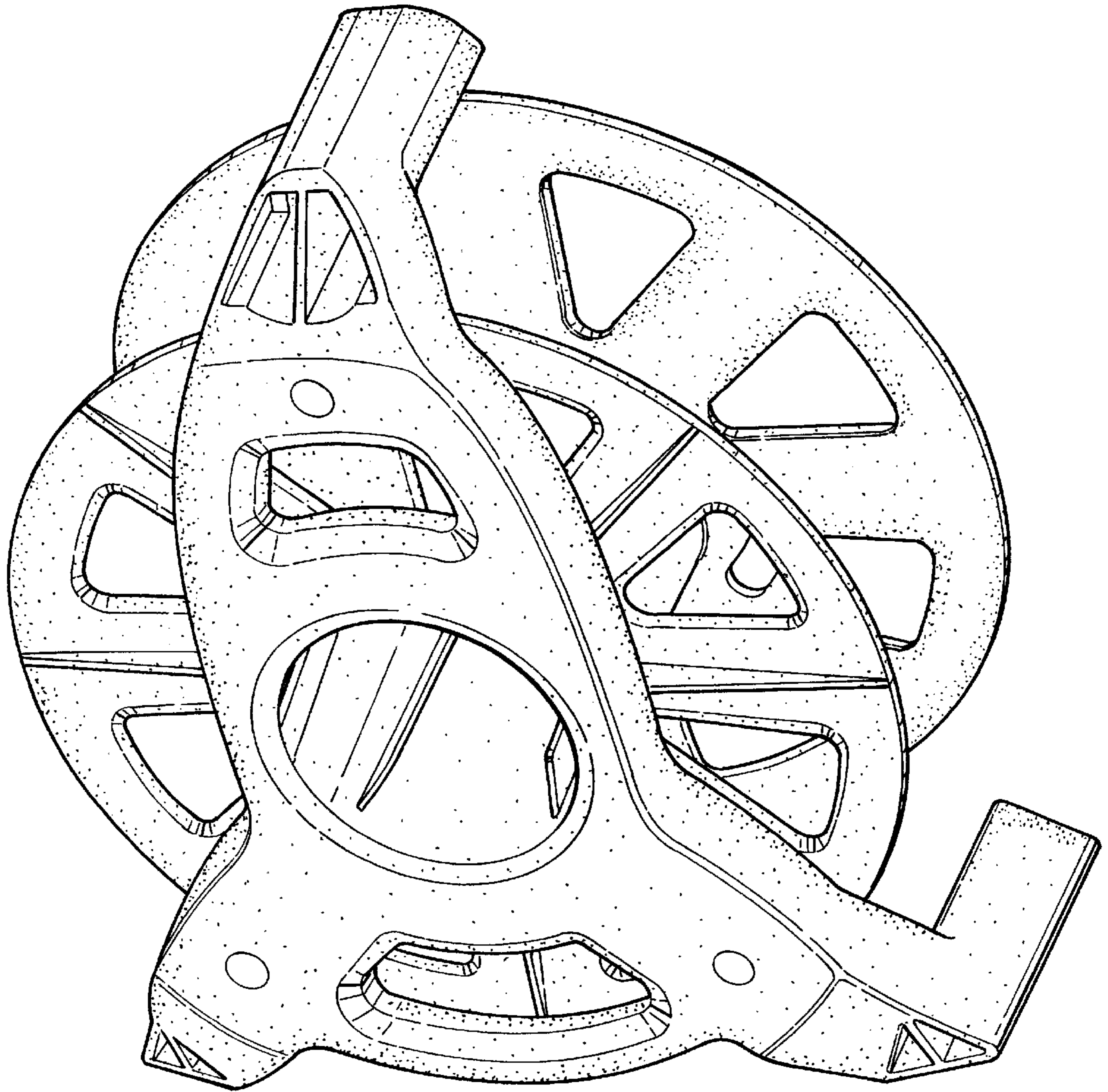


FIG-2

FIG-4

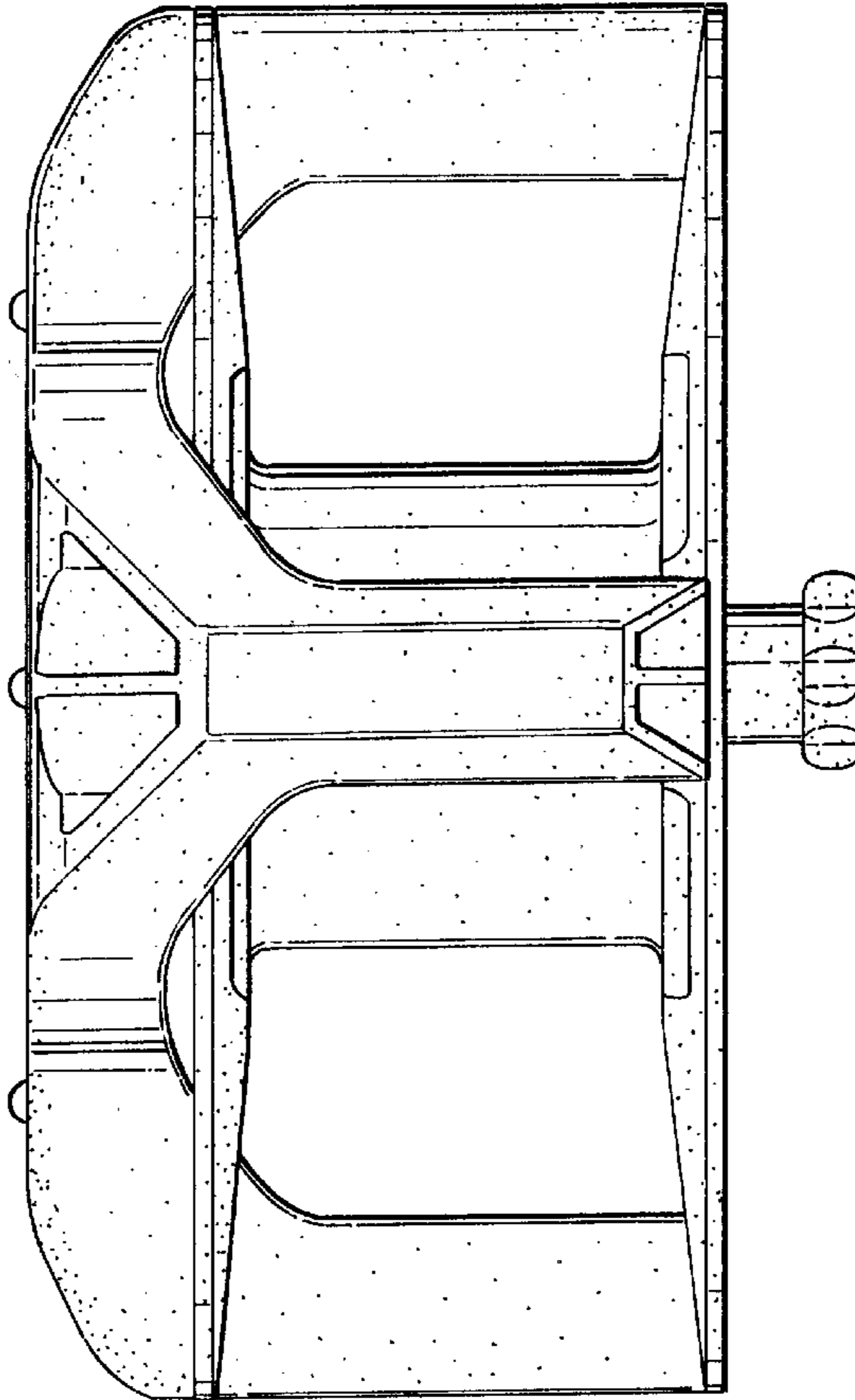


FIG-3

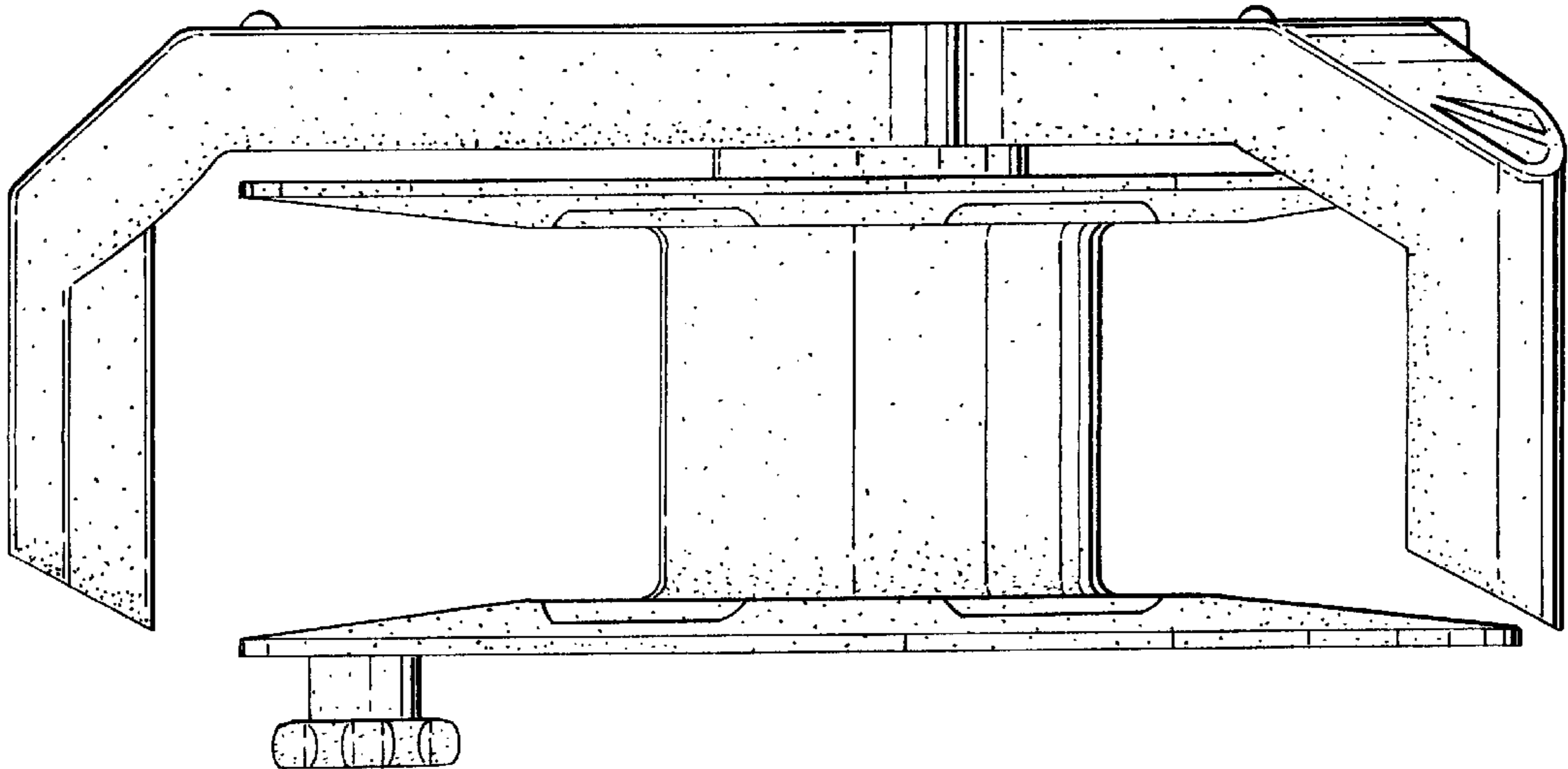


FIG-5

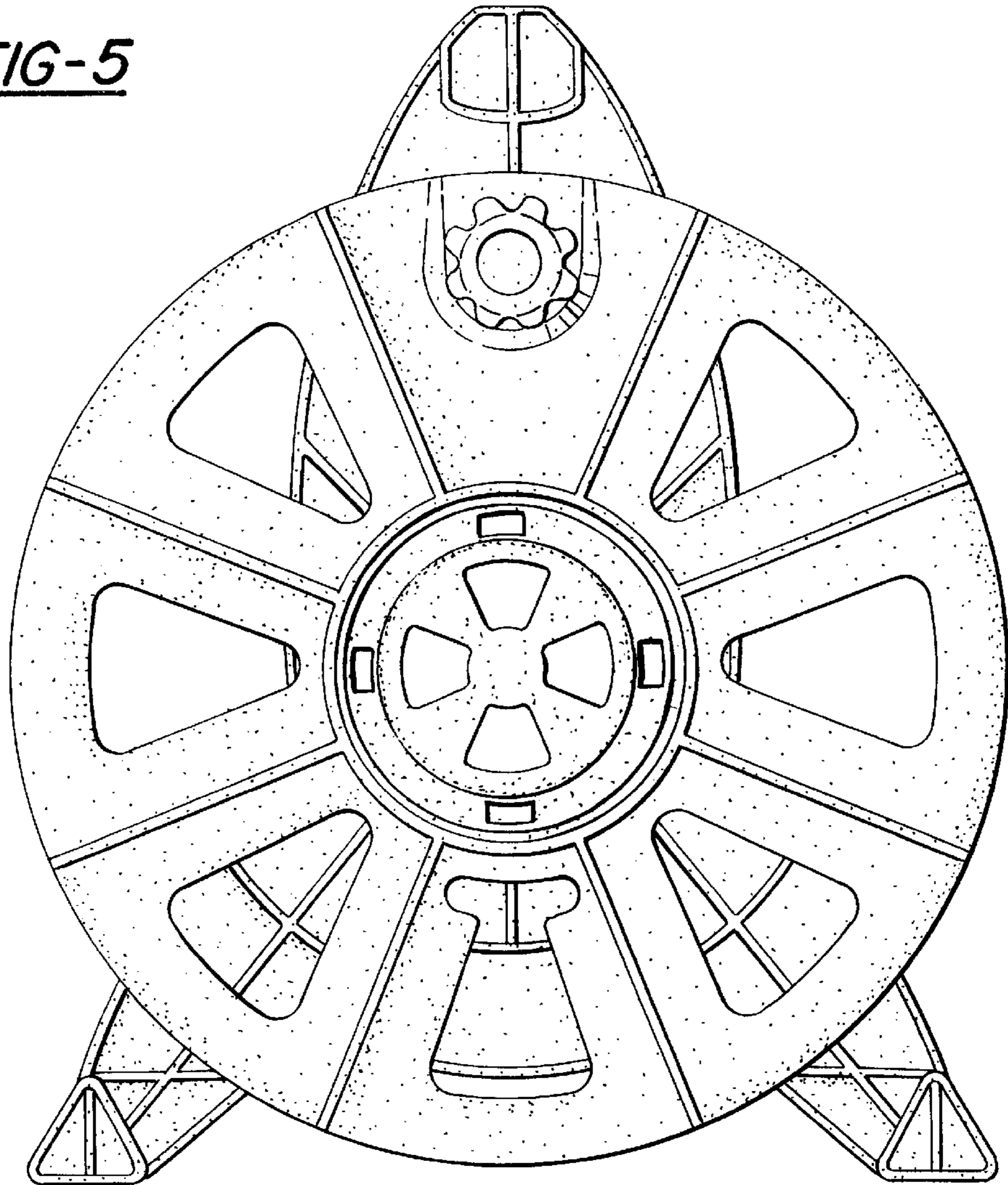


FIG-6

