



US00D422196S

United States Patent [19]
Hughes

[11] **Patent Number: Des. 422,196**

[45] **Date of Patent: ** Apr. 4, 2000**

[54] **WIRE DISPENSING DEVICE**
[76] Inventor: **Allen L. Hughes**, P.O. Box 201,
Roxton, Tex. 75477
[**] Term: **14 Years**
[21] Appl. No.: **29/106,319**
[22] Filed: **Jun. 10, 1999**
[51] **LOC (6) Cl. 08-05**
[52] **U.S. Cl. D8/358**
[58] **Field of Search D8/358, 359; 242/578.2,**
242/118.8, 608.7, 129

5,042,737 8/1991 Sigle et al. .
5,568,900 10/1996 Conroy .
5,582,216 12/1996 Smith et al. .
5,842,655 12/1998 McCarthy 242/129

Primary Examiner—Holly Baynham
Attorney, Agent, or Firm—Monty L. Ross; Locke Liddell &
Sapp LLP

[57] **CLAIM**

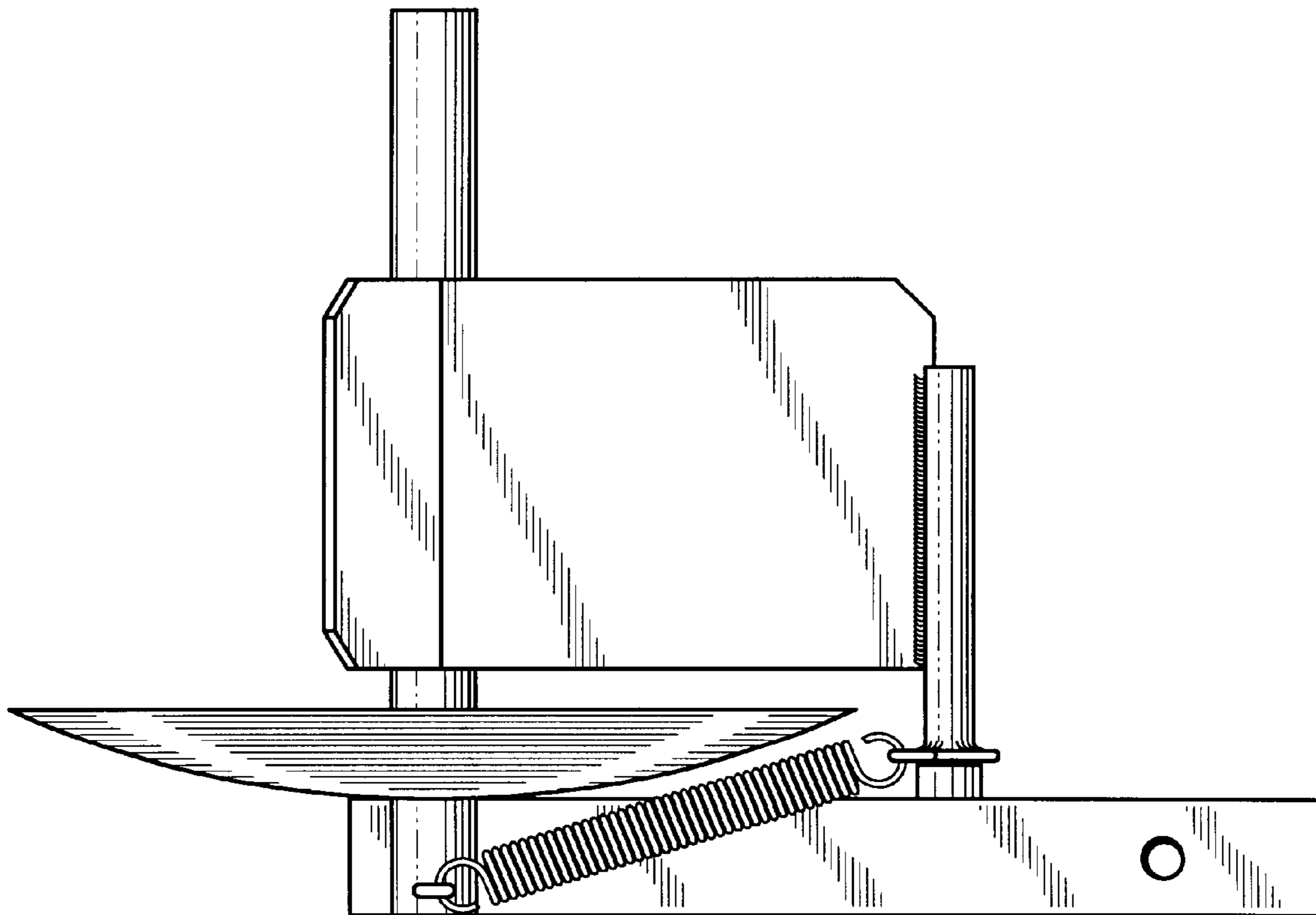
The ornamental design for a wire dispensing device, as shown and described.

DESCRIPTION

FIG. 1 is a top plan view of a wire dispensing device, showing my design;
FIG. 2 is a front elevation view thereof;
FIG. 3 is a rear elevation view thereof;
FIG. 4 is a bottom plan view thereof;
FIG. 5 is a right end view thereof; and,
FIG. 6 is a left end view thereof.

[56] **References Cited**
U.S. PATENT DOCUMENTS
245,906 8/1881 Willett .
446,465 2/1891 Palmer 242/128
554,226 2/1896 White et al. 242/128
1,312,058 8/1919 Smirle 242/128
2,416,585 2/1947 Holub .
4,042,187 8/1977 Snyder .

1 Claim, 3 Drawing Sheets



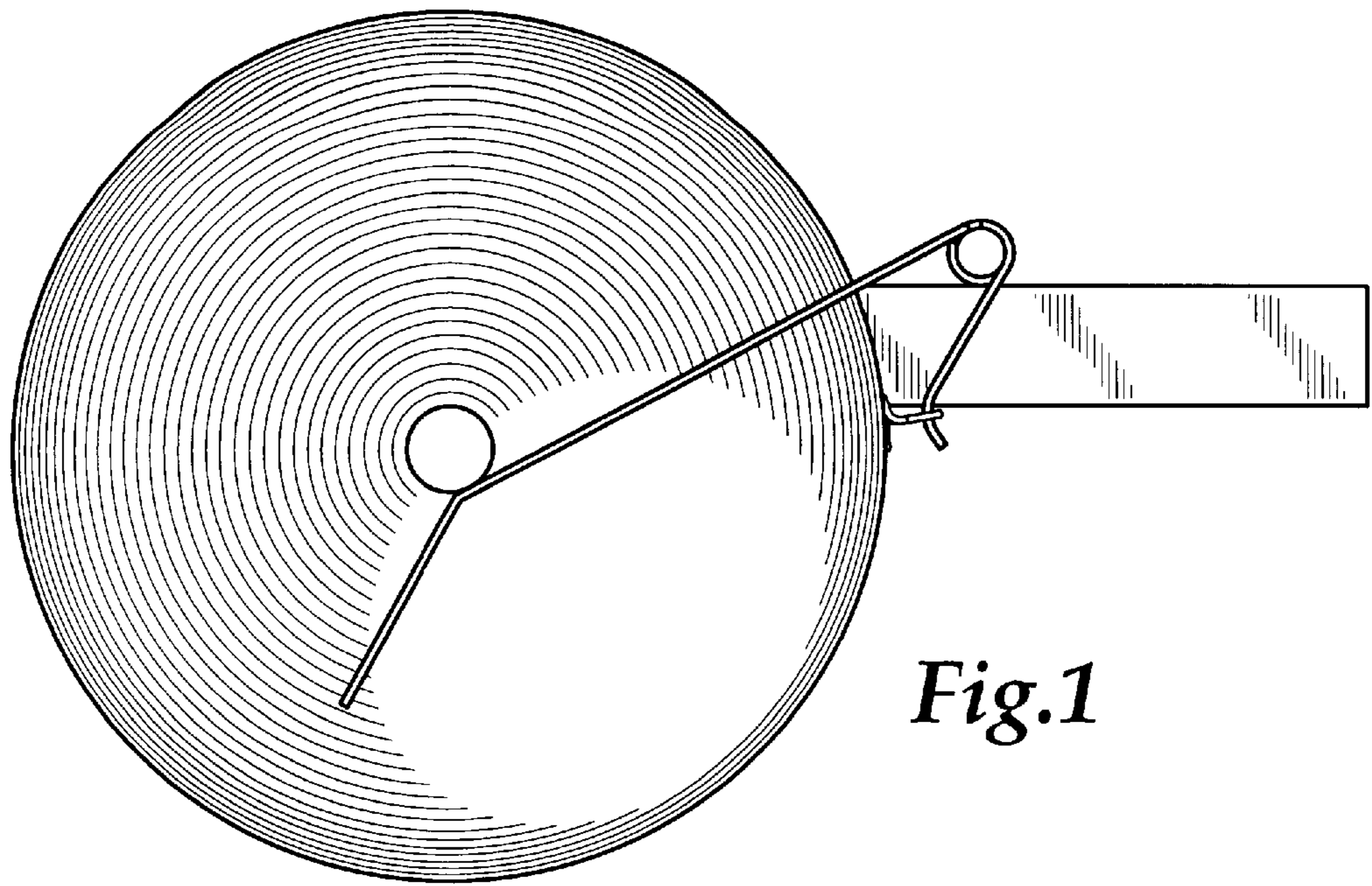


Fig.1

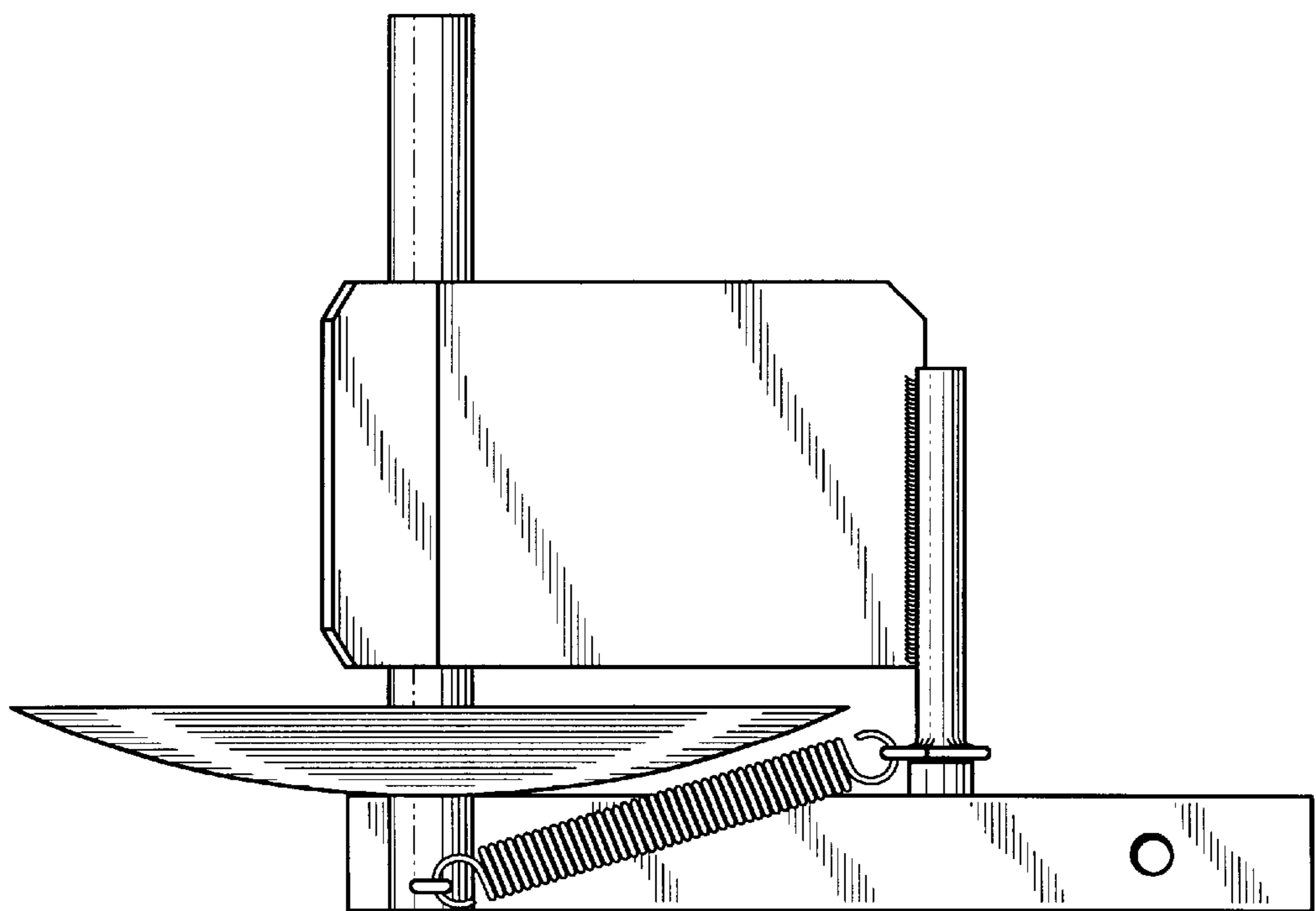


Fig.2

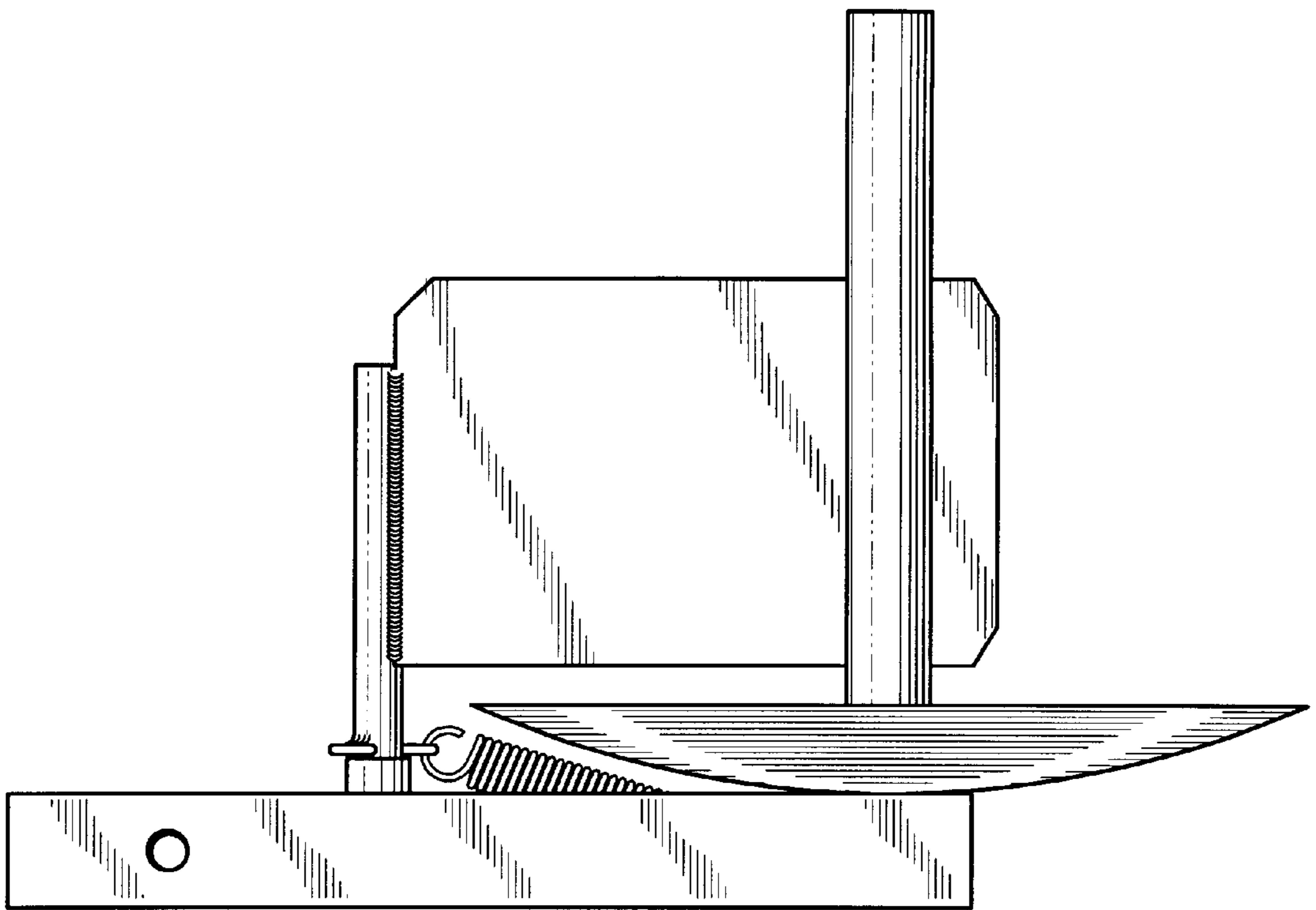


Fig.3

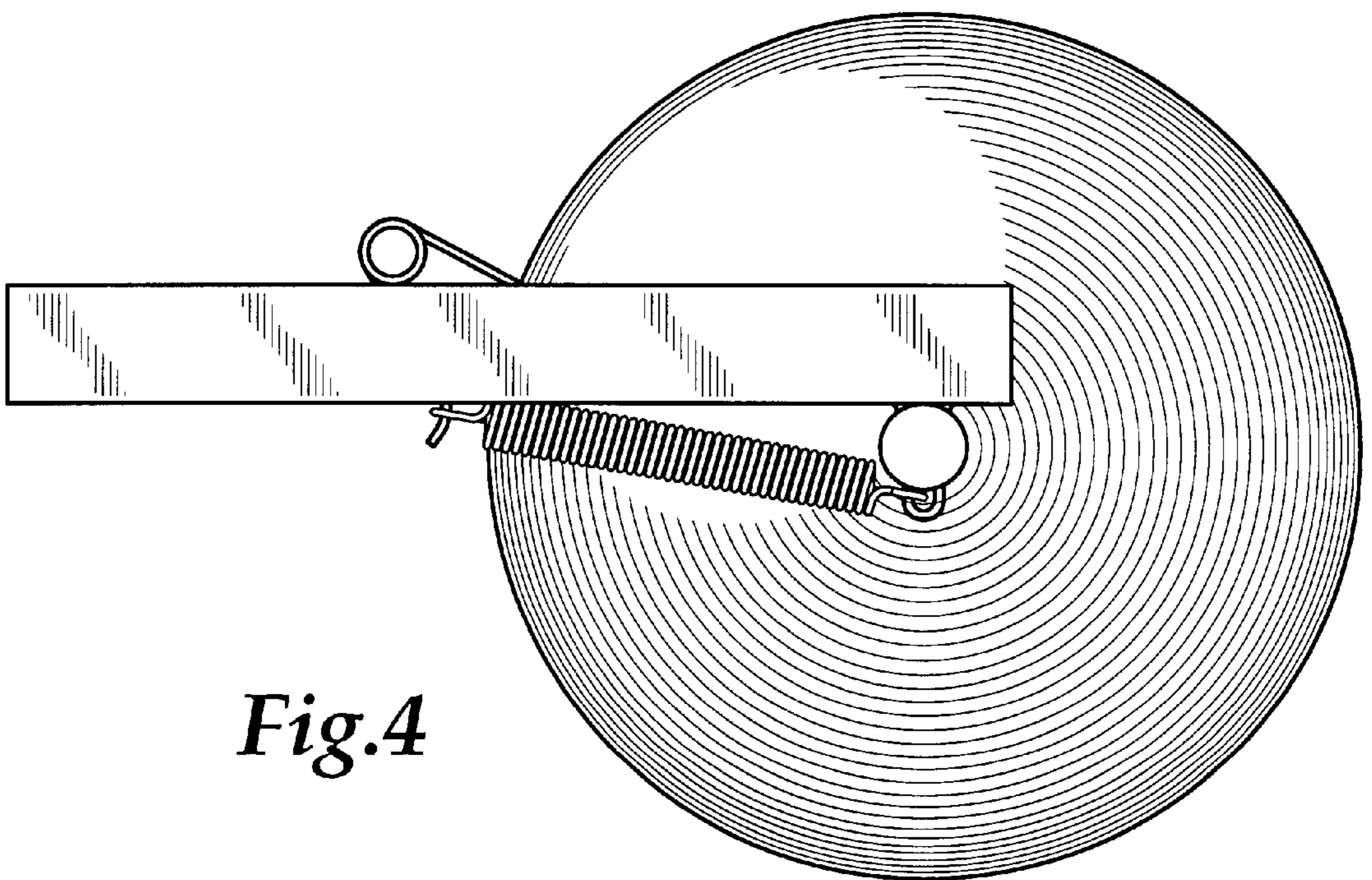


Fig.4

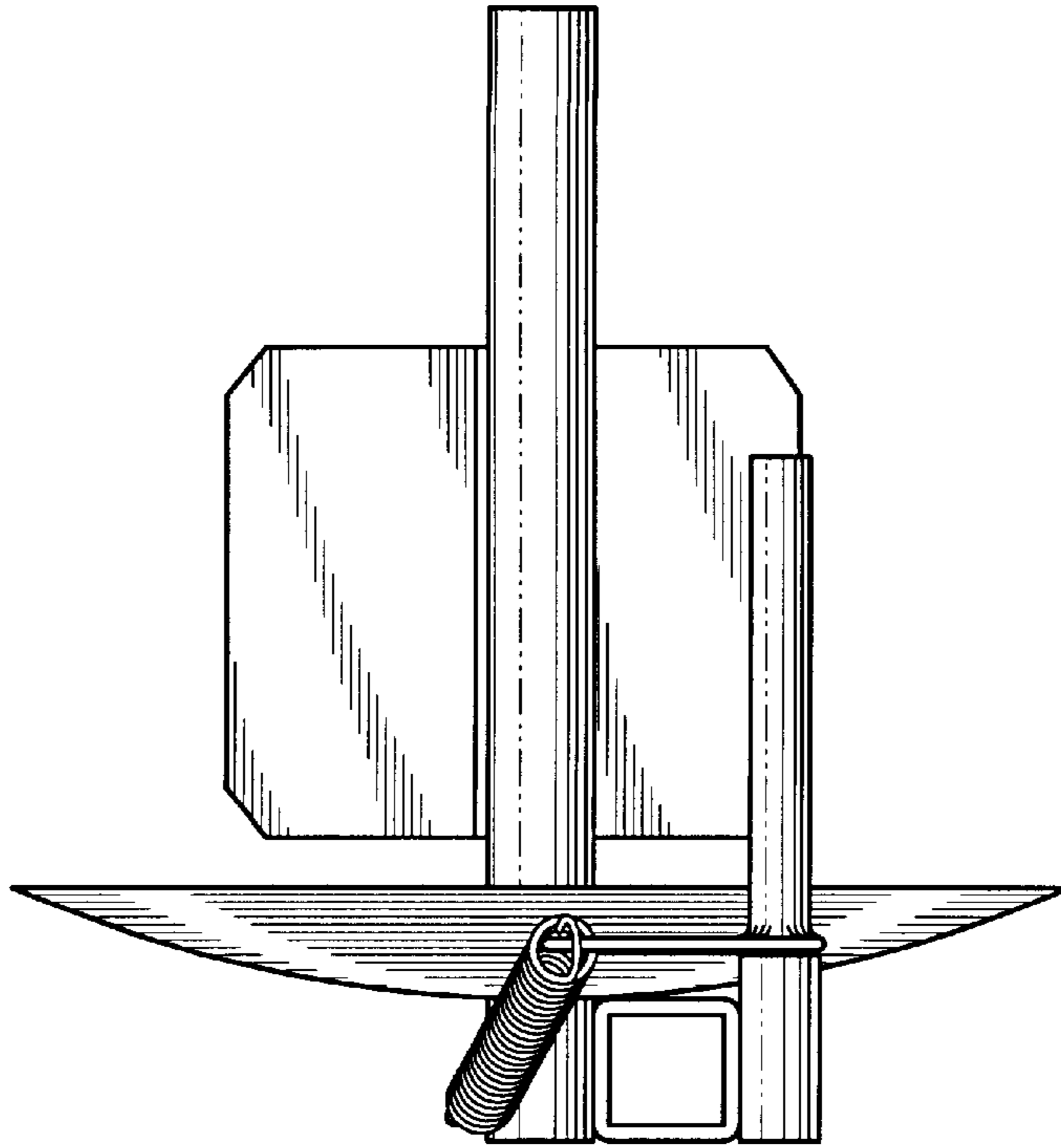


Fig.5

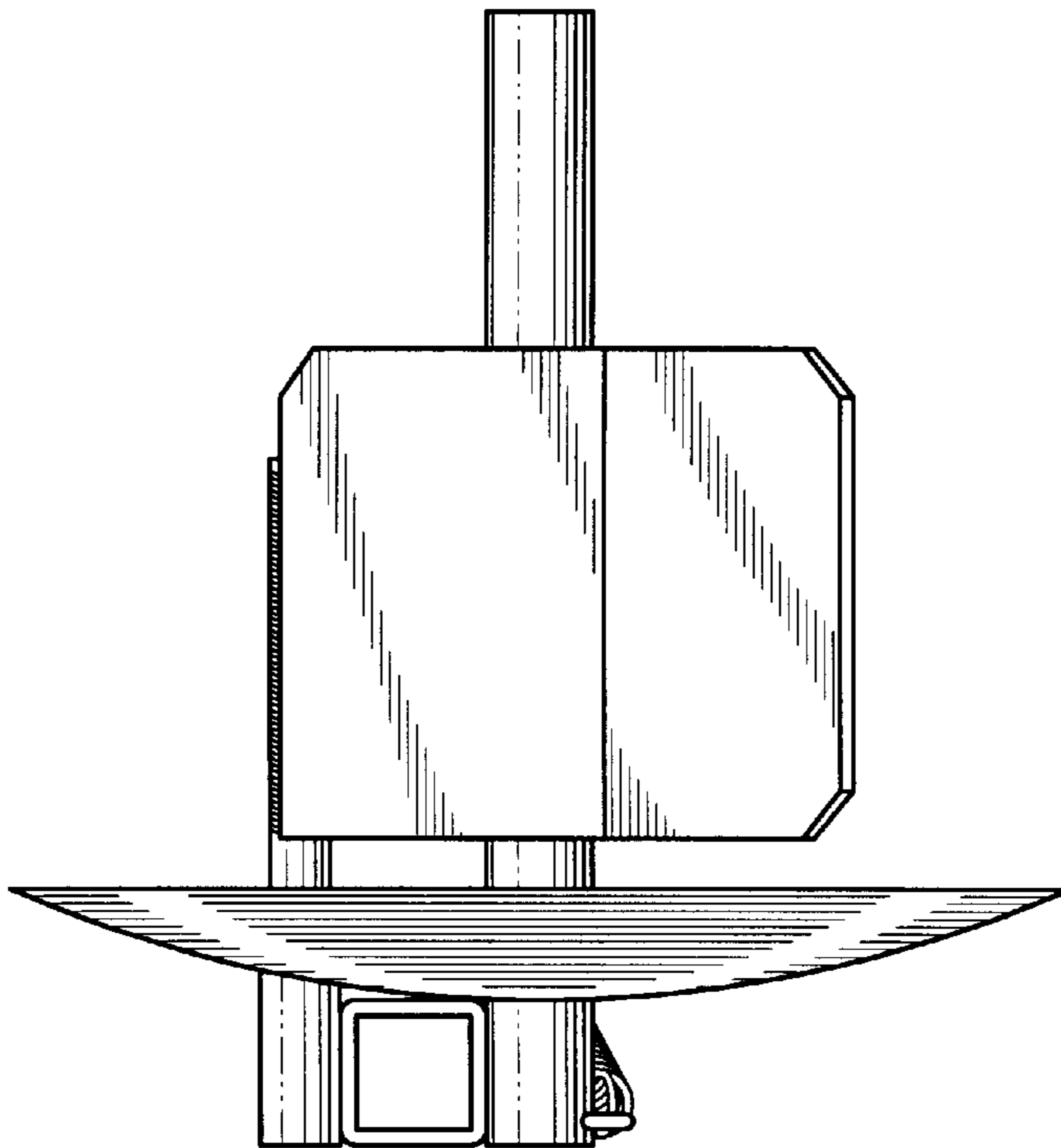


Fig.6