



US00D422195S

# United States Patent [19]

[11] **Patent Number: Des. 422,195**

**Tonozzi et al.**

[45] **Date of Patent: \*\* Apr. 4, 2000**

[54] **DOOR CLOSER**

[75] Inventors: **Laura Ann Tonozzi**, LaSalle; **James E. Jensen**, Princeton; **Rex H. Lasson**; **Jeffrey Lewis Fenwick**, both of Princeton; **Thomas Ned Trumpinski**, Sublette, all of Ill.; **Paul K. Metaxatos**, Collinsville, Conn.; **James D. Stryker**, Pittstown, N.J.; **Robert H. Bruno**, Avon, Conn.

*Primary Examiner*—Susan J. Lucas  
*Assistant Examiner*—Jennifer Rivard  
*Attorney, Agent, or Firm*—Michael H. Minns

[73] Assignee: **Schlage Lock Company**, San Francisco, Calif.

[\*\*] Term: **14 Years**

[21] Appl. No.: **29/096,594**

[22] Filed: **Nov. 16, 1998**

[51] **LOC (6) Cl.** ..... **08-07**

[52] **U.S. Cl.** ..... **D8/330**

[58] **Field of Search** ..... D8/330, 346, 400;  
16/49, 52, 59, 71, DIG. 17

[57] **CLAIM**

The ornamental design for a door closer, as shown and described.

**DESCRIPTION**

FIG. 1 is a perspective view of a door closer showing our new design;

FIG. 2 is a top view of a design of door closer according to the present invention;

FIG. 3 is a front view of a design of door closer according to the present invention;

FIG. 4 is a bottom view of a design of door closer according to the present invention;

FIG. 5 is a left side view of a design of door closer according to the present invention; and,

FIG. 6 is a right side view of a design of door closer according to the present invention.

The broken line disclosure is for illustrative purposes only and forms no part of the claimed design.

The surface(s) or portion(s) of the article not shown in the drawing or described in the specification form(s) no part of the claimed design.

[56] **References Cited**

**U.S. PATENT DOCUMENTS**

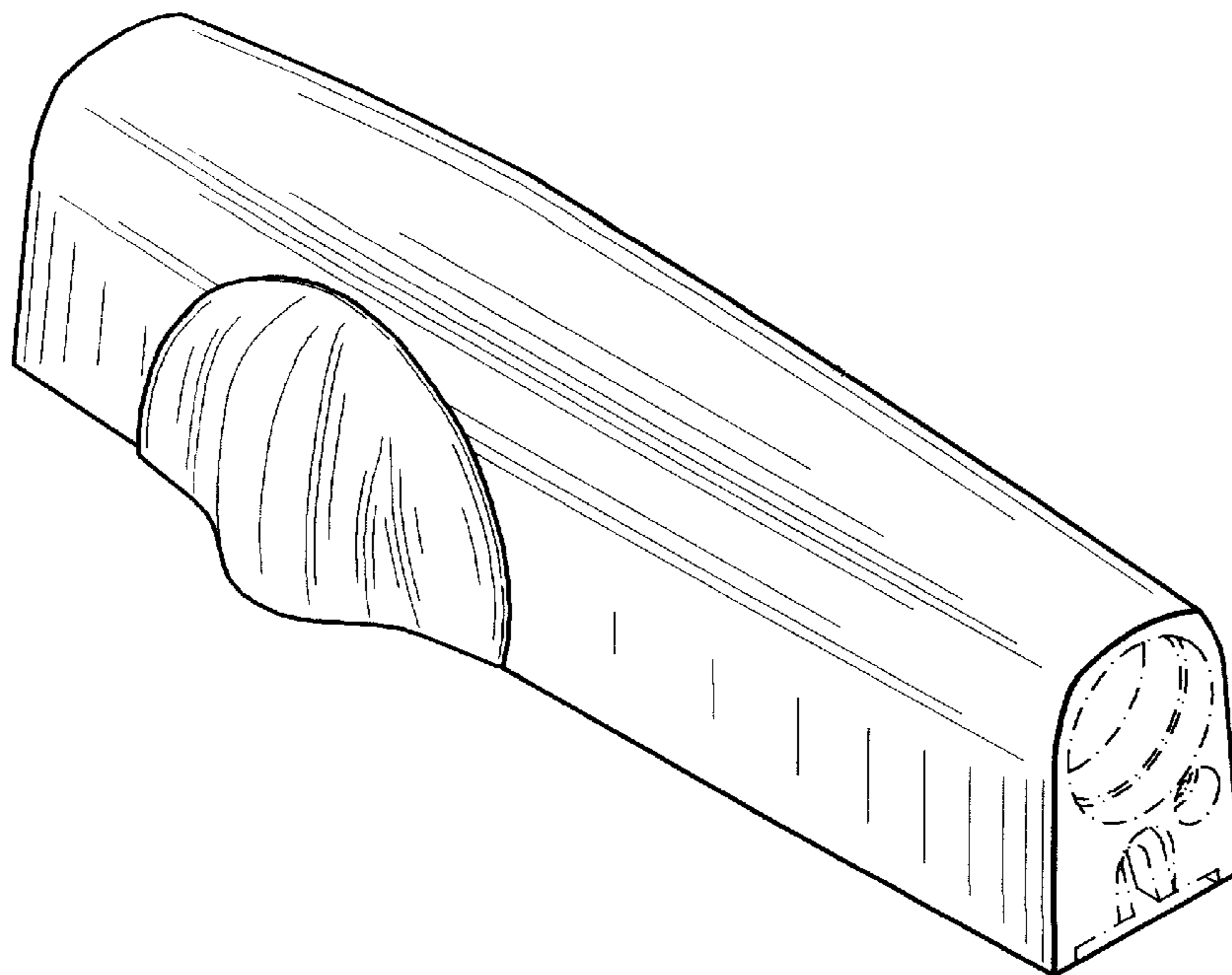
D. 261,099	10/1981	Russell	.....	D8/330
D. 273,457	4/1984	Matsuo et al.	.....	D8/330
D. 274,212	6/1984	Shohoji	.....	D8/330
D. 281,762	12/1985	Okazaki	.....	D8/330
3,415,562	12/1968	Petersen	.....	16/49 X

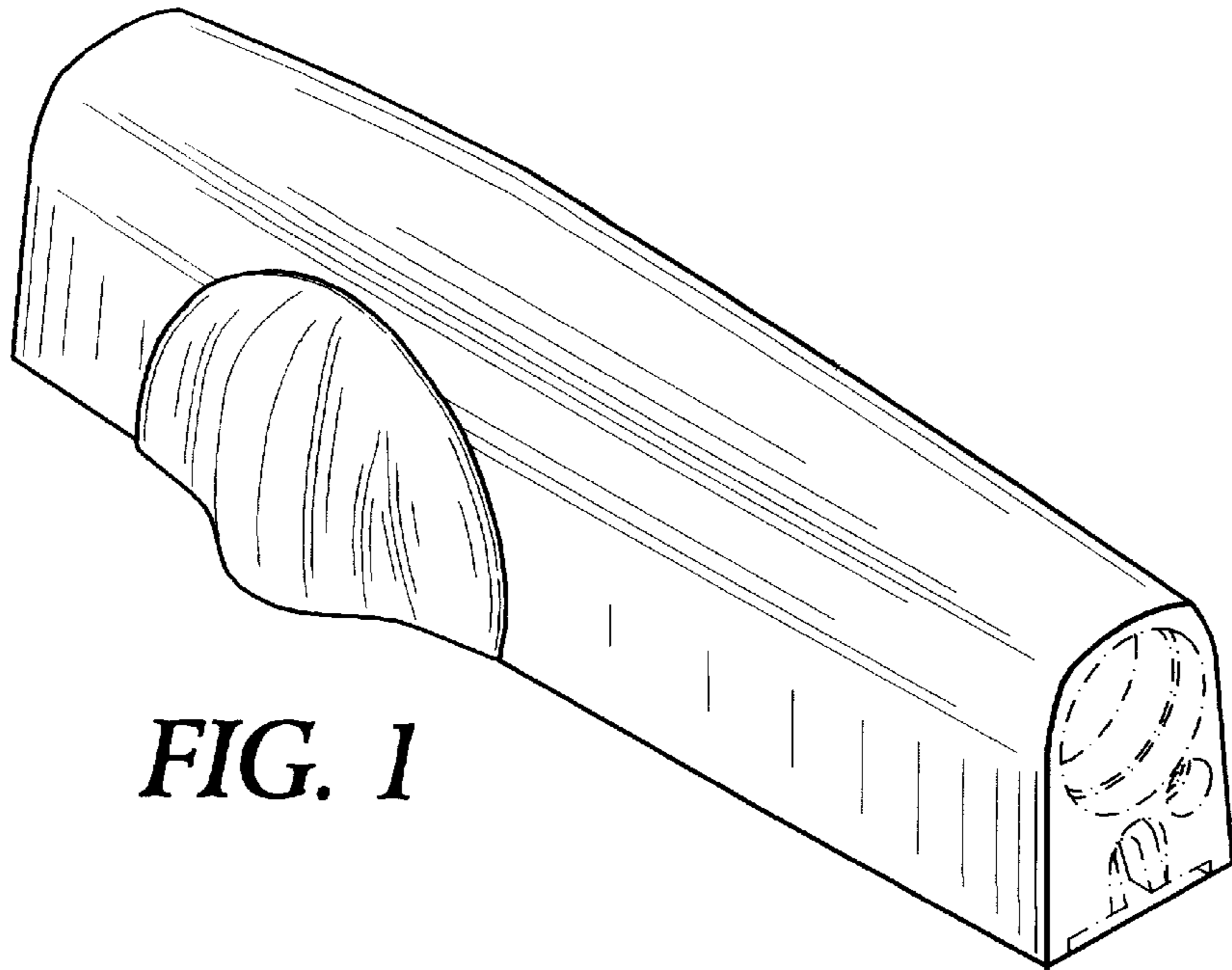
**OTHER PUBLICATIONS**

Item 1250 High impact cover, Sargent Door Closers, May 1983.

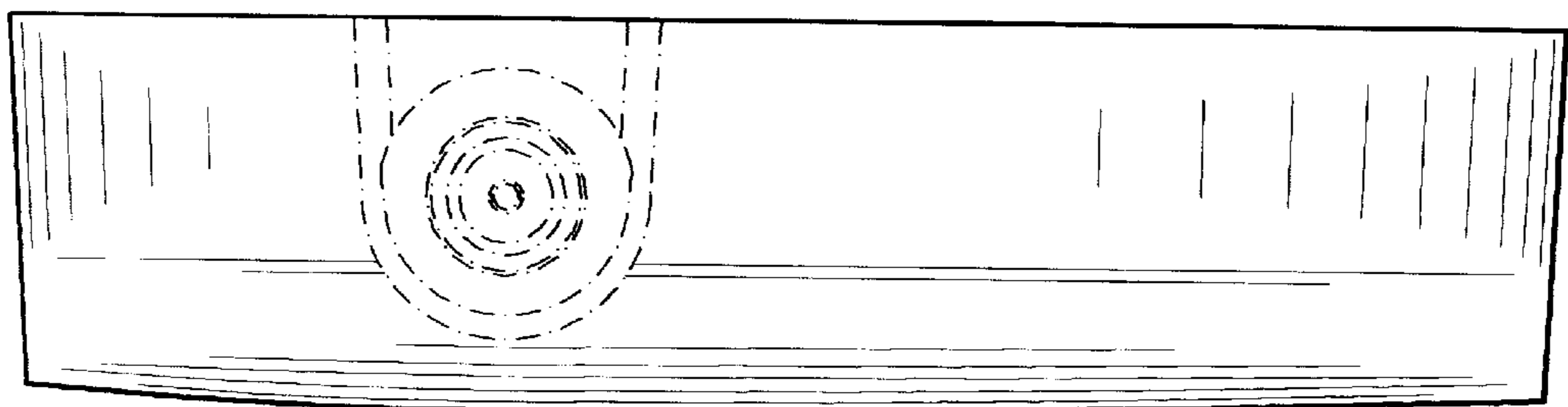
Full Cover, Russwin Door Closers, p. 12–11, Mar. 1986.

**1 Claim, 2 Drawing Sheets**

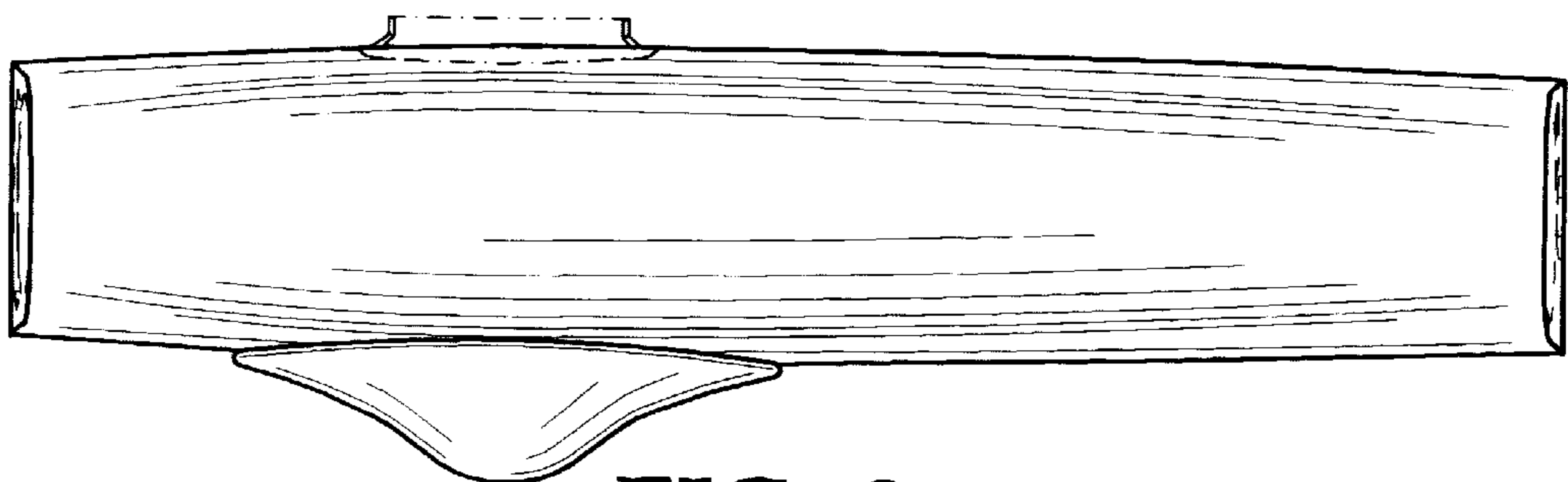




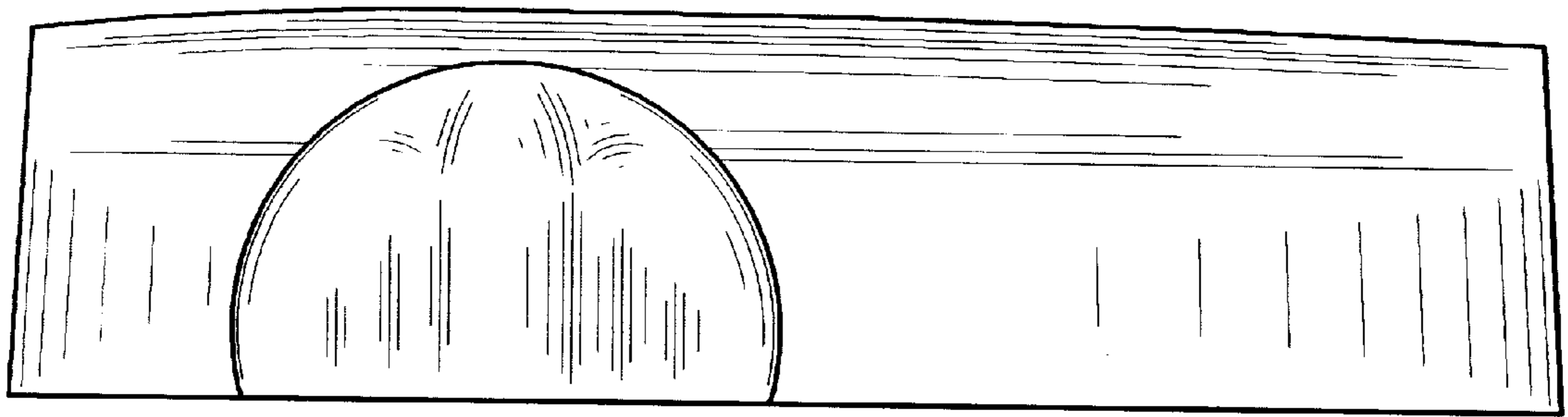
**FIG. 1**



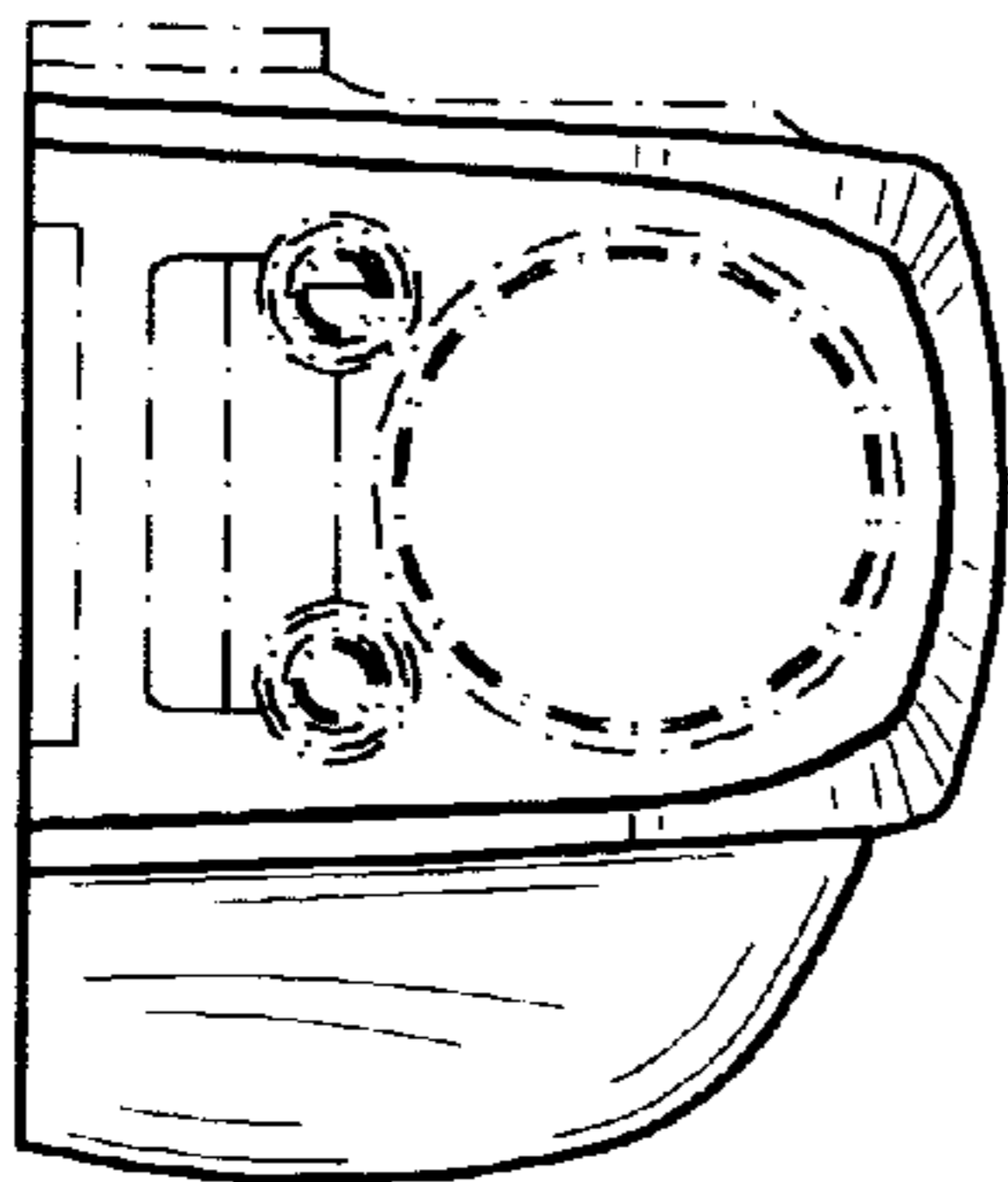
**FIG. 2**



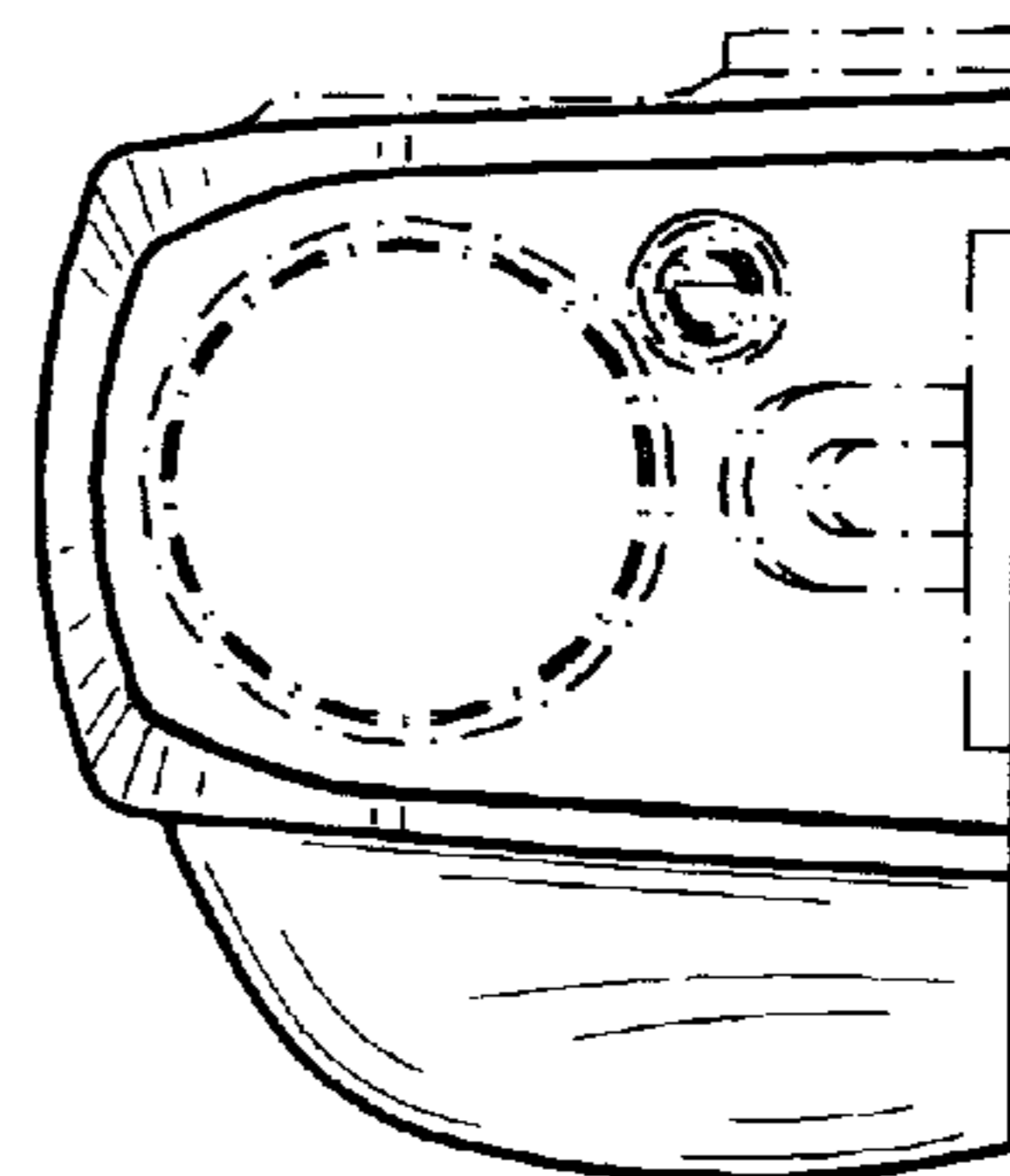
**FIG. 3**



**FIG. 4**



**FIG. 5**



**FIG. 6**