



US00D422193S

United States Patent [19] Walker

[11] **Patent Number: Des. 422,193**

[45] **Date of Patent: ** Apr. 4, 2000**

[54] **TOOL HANDLE EXTENSION**

5,327,086 7/1994 Hammer 16/429
5,927,161 7/1999 Clifford et al. 81/177.2

[76] Inventor: **Jack Walker**, 1069 E. 200 North,
Veedersburg, Ind. 47987

Primary Examiner—Alan P. Douglas
Assistant Examiner—Reid Hecker

[**] Term: **14 Years**

[57] **CLAIM**

[21] Appl. No.: **29/108,889**

The ornamental design for a tool handle extension, as shown and described.

[22] Filed: **Aug. 5, 1999**

[51] **LOC (6) Cl. 08-05**

[52] **U.S. Cl. D8/107**

[58] **Field of Search** D7/393, 395, 401.2,
D7/642, 664, 695; D8/45, 47, 300, 303,
107, DIG. 7, DIG. 8, 98; 16/110.1, 422,
430, 431, 427, 429; D21/756; 81/177.2

DESCRIPTION

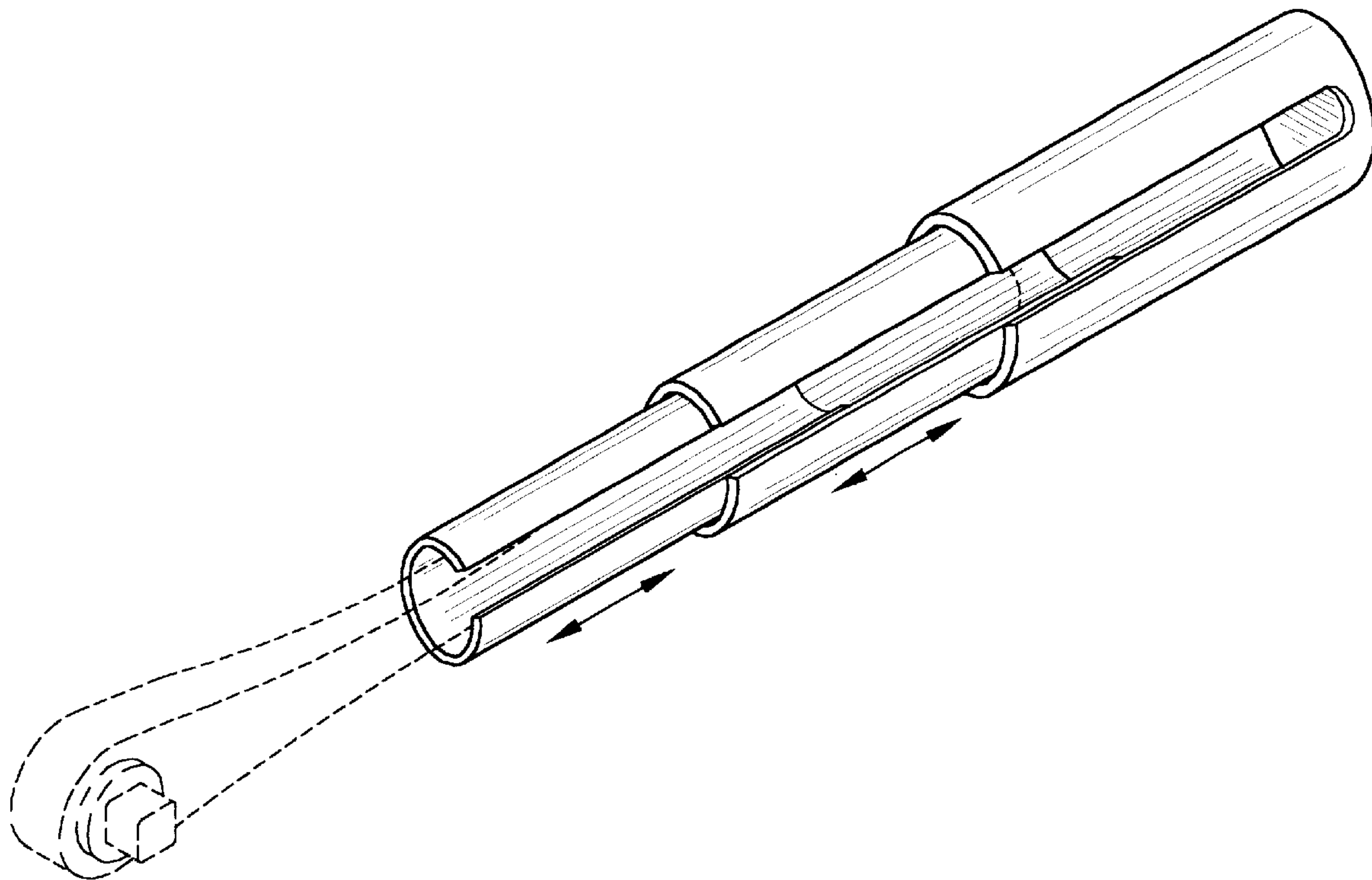
[56] **References Cited**

U.S. PATENT DOCUMENTS

D. 300,404 3/1989 Lauer D8/98
D. 377,745 2/1997 Laun D8/107
4,325,157 4/1982 Balint et al. 16/429
4,905,548 3/1990 Colace et al. 81/177.2
5,109,737 5/1992 Raber 81/177.2

FIG. 1 is a front elevational view of the tool handle extension of the present invention;
FIG. 2 is a rear elevational view thereof;
FIG. 3 is a left side elevational view thereof;
FIG. 4 is a right side elevational view thereof;
FIG. 5 is a top plan view thereof;
FIG. 6 is a bottom plan view thereof; and,
FIG. 7 is a top, front, right side perspective view thereof, it being understood that the broken line showing of a tool is for illustrative purposes only and forms no part of the claimed design.

1 Claim, 2 Drawing Sheets



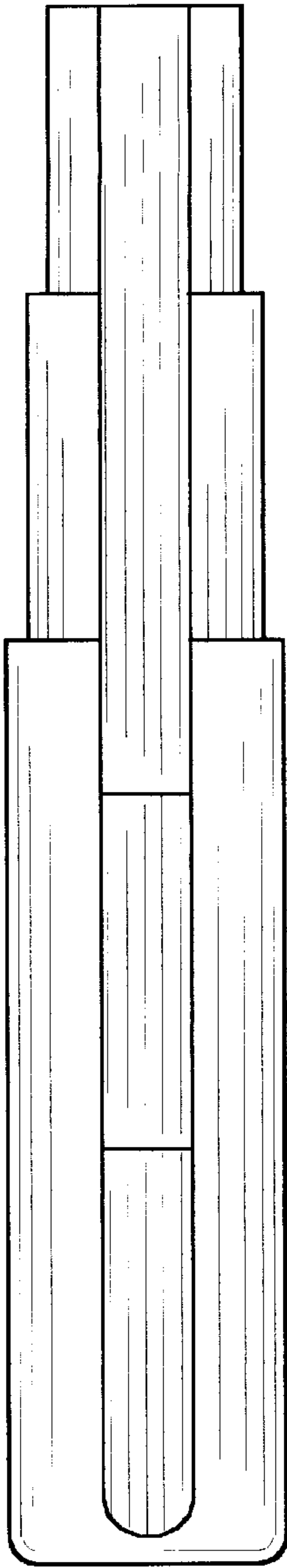


Fig. 1

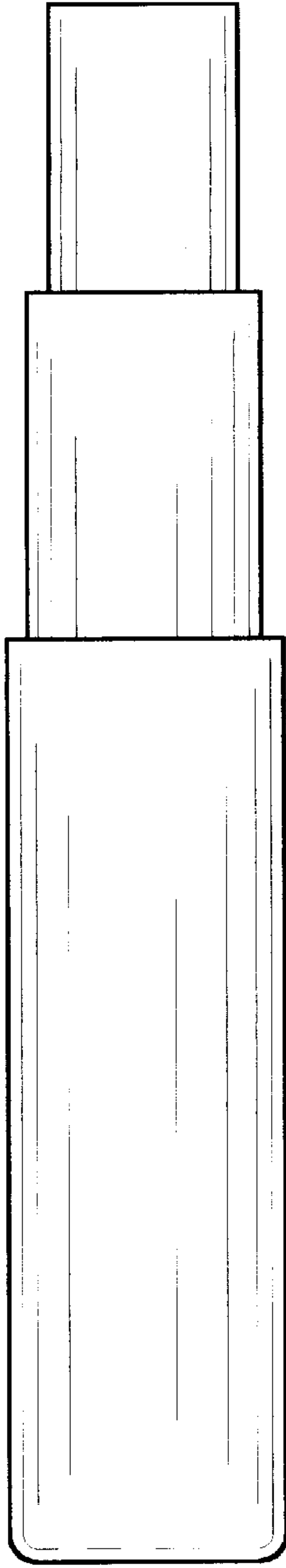


Fig. 2

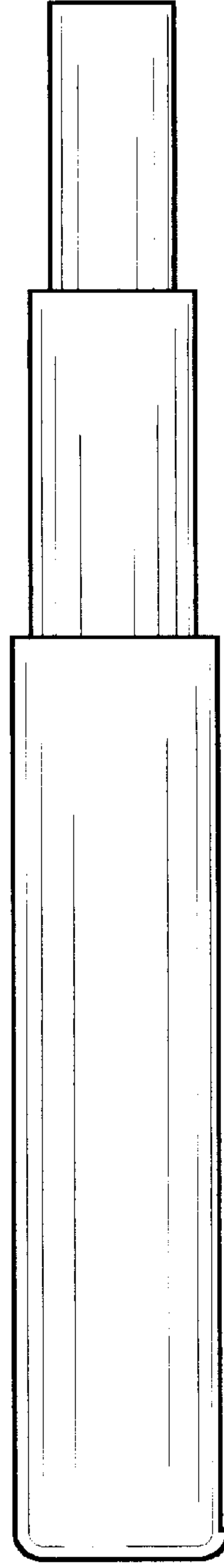


Fig. 3

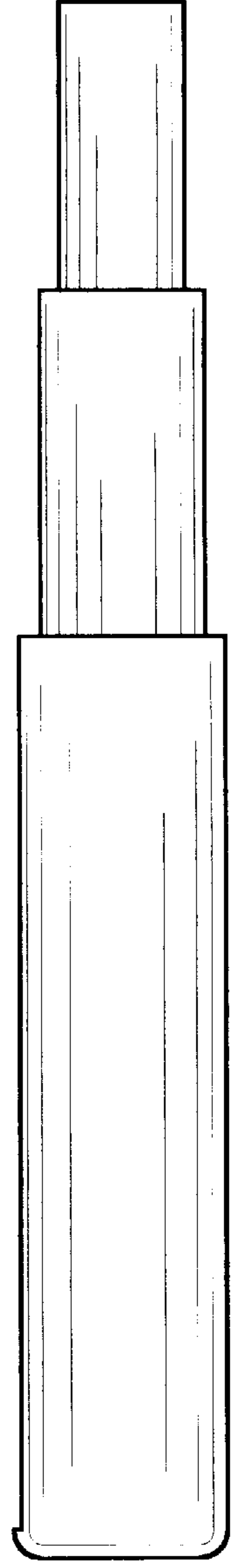


Fig. 4

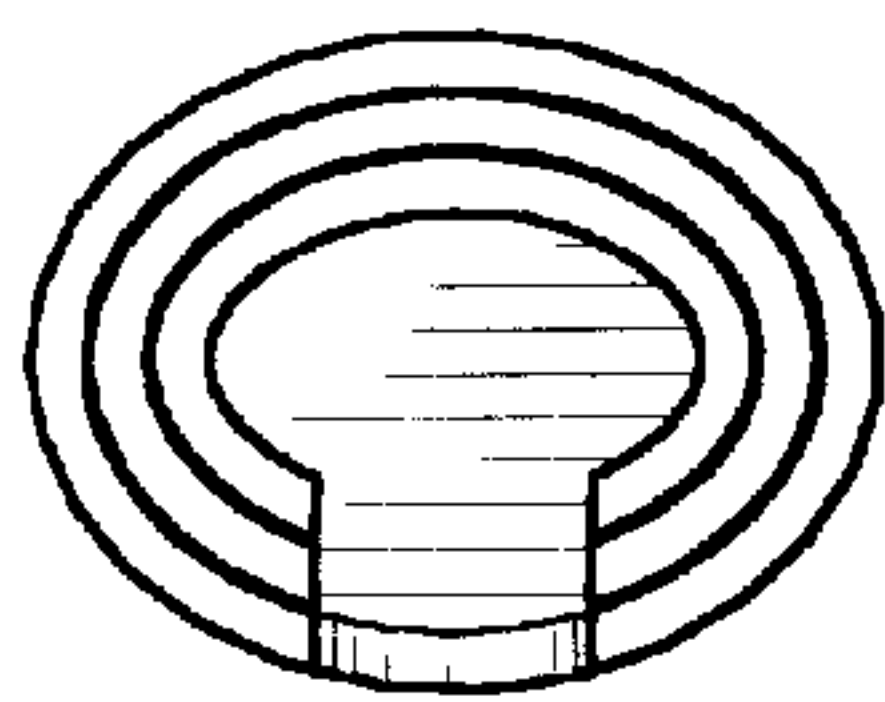


Fig. 5

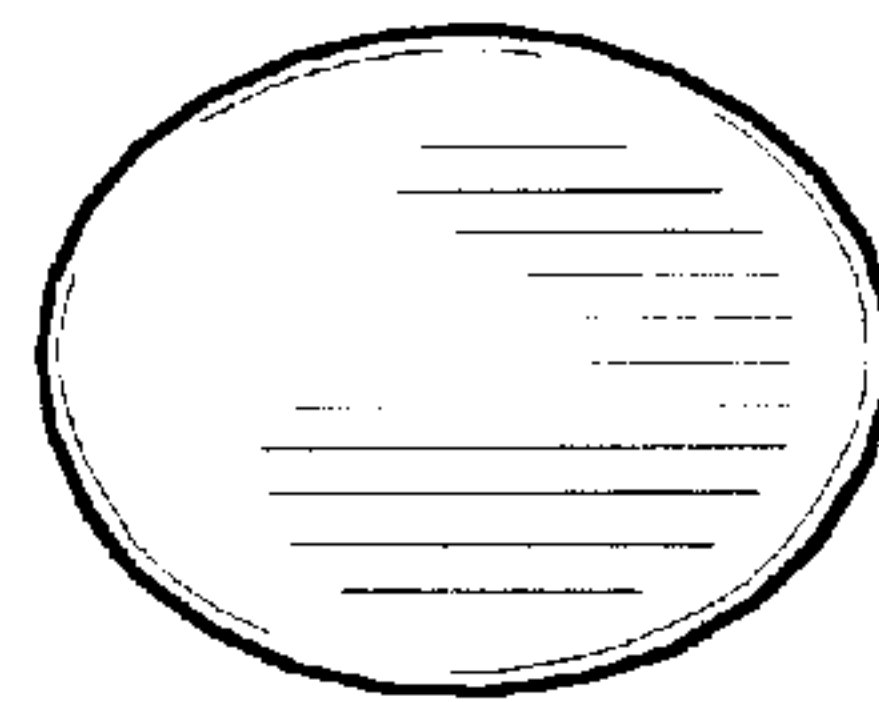


Fig. 6

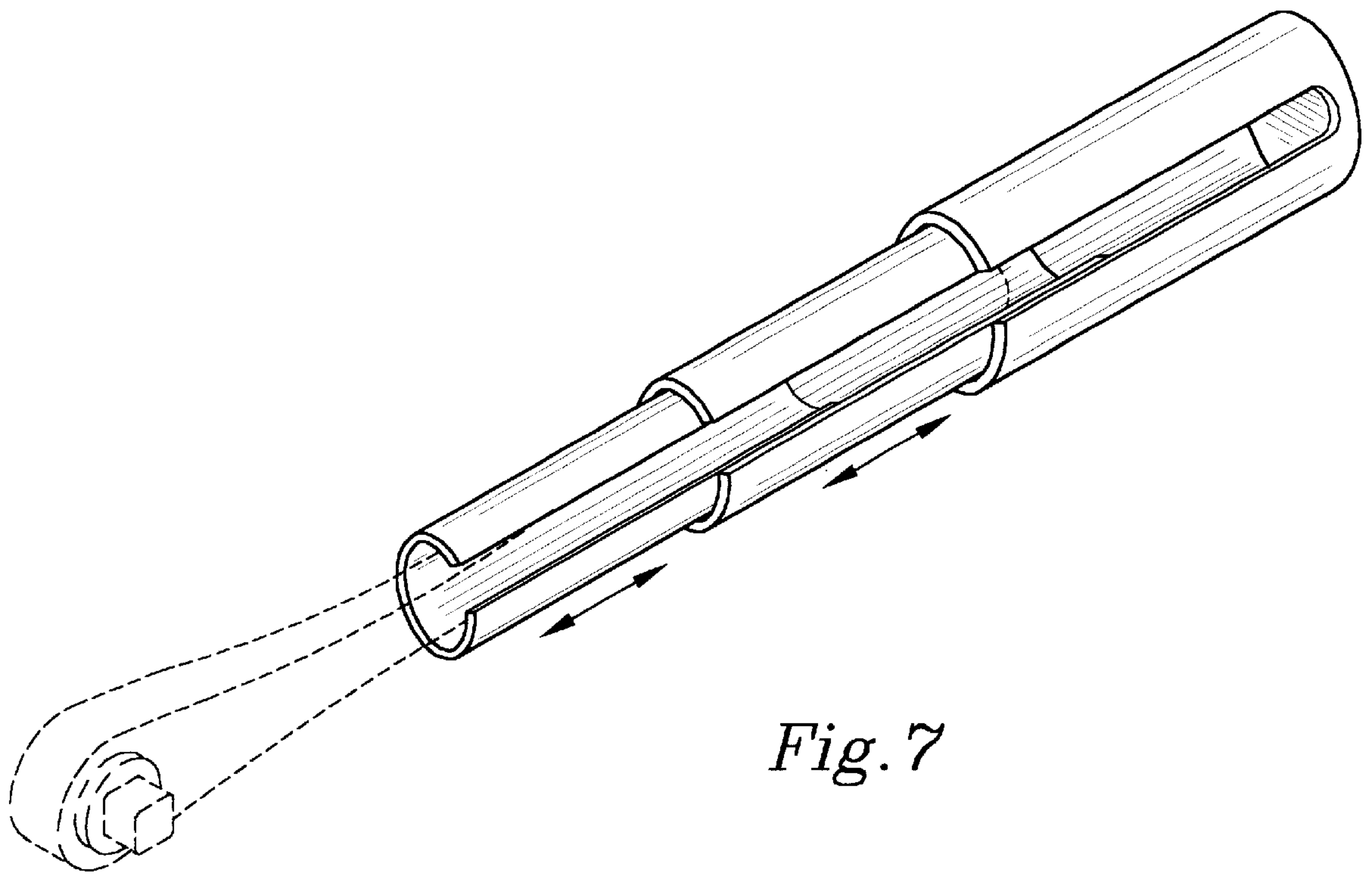


Fig. 7