



US00D422192S

United States Patent [19]
Cleveland

[11] **Patent Number: Des. 422,192**

[45] **Date of Patent: ** Apr. 4, 2000**

[54] **RATCHET HANDLE**

[75] Inventor: **Dale E. Cleveland**, Kenosha, Wis.

[73] Assignee: **Snap-on Tools Company**, Kenosha, Wis.

[**] Term: **14 Years**

[21] Appl. No.: **29/093,810**

[22] Filed: **Sep. 18, 1998**

[51] **LOC (6) Cl.** **08-05**

[52] **U.S. Cl.** **D8/107; D8/25**

[58] **Field of Search** D8/25, 107, DIG. 4,
D8/DIG. 7; 81/60, 177.1, 489; 16/110 R,
111 R, 114 A, 114 R, 116 R, DIG. 12,
DIG. 18

[56] **References Cited**

U.S. PATENT DOCUMENTS

| | | | | |
|------------|---------|------------|-------|--------|
| D. 387,256 | 12/1997 | Ashby | | D8/25 |
| 582,013 | 5/1897 | Ellebrecht | | 81/60 |
| 5,560,272 | 10/1996 | Bolger | | 82/160 |

OTHER PUBLICATIONS

Armstrong Tools Catalog 880 B, p. 124, "No. 74-822 Ratchet 28-1/2" long", Dec. 1978.

Proto Professional Tools Catalog, p. 45, Ratchet "C", Dec. 1975.

Brookstone Catalog, p. 4, "Ratchet Palm Wrench", Dec. 1980.

Snap-on Tools Catalog D1, p. 36, "1/2" Square Drive Rathchets (B)", May 1973.

Primary Examiner—Alan P. Douglas
Assistant Examiner—Reid Hecker
Attorney, Agent, or Firm—Emrich & Dithmar

[57] **CLAIM**

The ornamental design for the ratchet handle, as shown and described.

DESCRIPTION

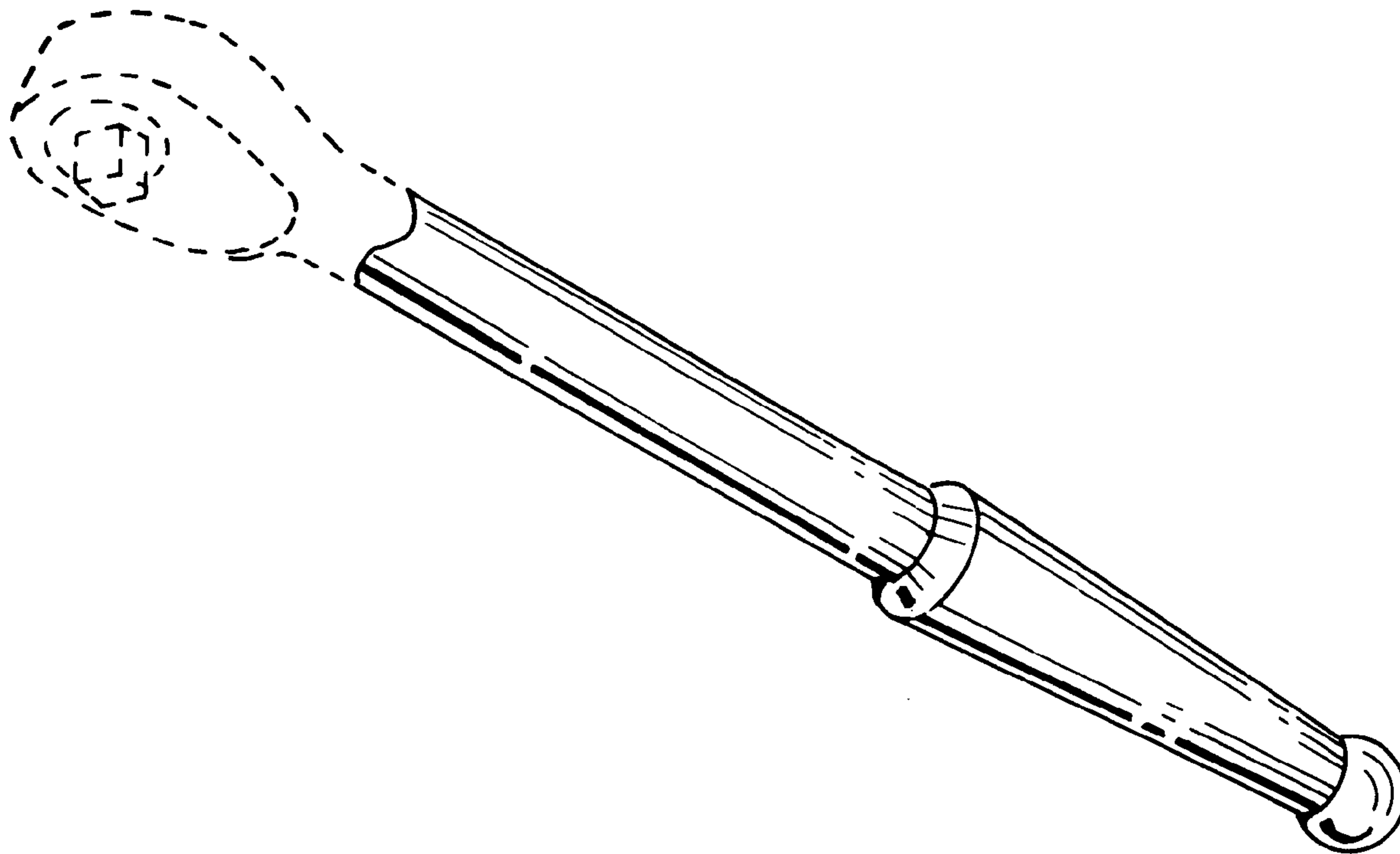
FIG. 1 is a perspective view of the ratchet handle showing my new design, the dashed lines in which do not form part of the invention;

FIG. 2 is an elevational view thereof;

FIG. 3 is an end view of one end thereof; and,

FIG. 4 is an end view of the other end thereof.

1 Claim, 1 Drawing Sheet



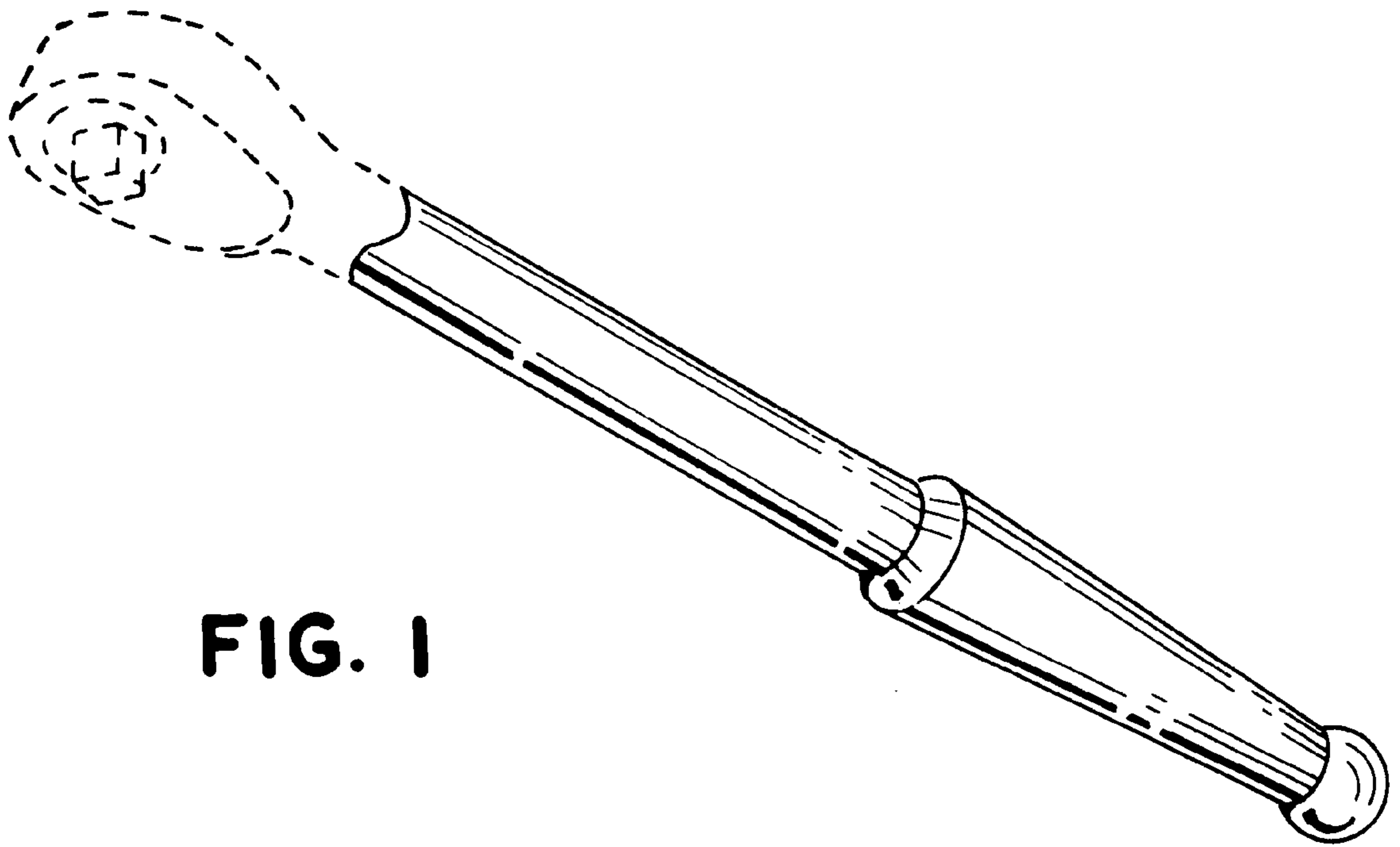


FIG. 1

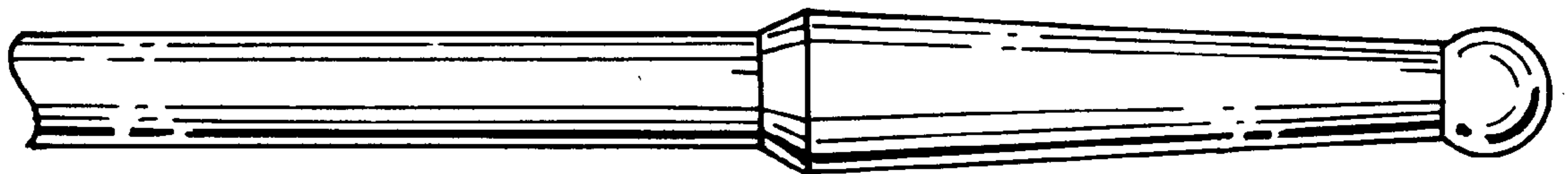


FIG. 2



FIG. 3



FIG. 4