



US00D422191S

United States Patent [19]
Usbeck

[11] **Patent Number: Des. 422,191**

[45] **Date of Patent: ** Apr. 4, 2000**

[54] **HANDLE**

[75] Inventor: **Hermann Usbeck**, Marburg/Lahn, Germany

[73] Assignee: **Monopolwerk Usbeck & Söhne GmbH & Co.**, Marburg/Lahn, Germany

[**] Term: **14 Years**

[21] Appl. No.: **29/087,081**

[22] Filed: **Apr. 27, 1998**

[30] **Foreign Application Priority Data**

Oct. 27, 1997 [XH] Hague Agreement DM/041928

[51] **LOC (6) Cl.** **08-05**

[52] **U.S. Cl.** **D8/107; D7/395; D7/401.2**

[58] **Field of Search** D8/47, 83, 107, D8/DIG. 7, DIG. 4; 81/60, 177.1, 489; 16/114 A, 114 R, 110 R, 111 R, 116 R, DIG. 12, DIG. 18; D7/401.2, 393, 395

[56] **References Cited**

U.S. PATENT DOCUMENTS

- D. 153,817 5/1949 Mortrude D7/395
- D. 163,428 5/1951 Wagner D7/395
- D. 207,237 3/1967 Ressler D7/395
- D. 298,405 11/1988 Schwartz D7/395
- D. 332,385 1/1993 Adams D8/107
- D. 351,549 10/1994 Lee D8/107
- D. 385,153 10/1997 Usbeck D7/401.2

Primary Examiner—Alan P. Douglas

Assistant Examiner—Reid Hecker

Attorney, Agent, or Firm—Lowe Hauptman Gopstein Gilman & Berner

[57] **CLAIM**

The ornamental design for a handle, as shown and described.

DESCRIPTION

FIG. 1 is a perspective view of a first embodiment of the invention;

FIG. 2 is a front end view thereof;

FIG. 3 is a rear end view thereof; and

FIG. 4 is a left side elevation thereof;

FIG. 5 is a bottom view thereof;

FIG. 6 is a left side elevation thereof upon rotation by 180 degrees; and

FIG. 7 is a top view thereof;

FIG. 8 is a perspective view of a second embodiment of the invention;

FIG. 9 is a front end view thereof;

FIG. 10 is a rear end view thereof; and

FIG. 11 is a left side elevation thereof;

FIG. 12 is a bottom view thereof;

FIG. 13 is a left side elevation thereof upon rotation by 180 degrees; and

FIG. 14 is a top view thereof;

FIG. 15 is a perspective view of a third embodiment of the invention;

FIG. 16 is a front end view thereof;

FIG. 17 is a rear end view thereof; and

FIG. 18 is a left side elevation thereof;

FIG. 19 is a bottom view thereof;

FIG. 20 is a left side elevation thereof upon rotation by 180 degrees; and

FIG. 21 is a top view thereof;

FIG. 22 is a perspective view of a fourth embodiment of the invention;

FIG. 23 is a front end view thereof;

FIG. 24 is a rear end view thereof; and

FIG. 25 is a left side elevation thereof;

FIG. 26 is a bottom view thereof;

FIG. 27 is a left side elevation thereof upon rotation by 180 degrees; and

FIG. 28 is a top view thereof;

FIG. 29 is a perspective view of a fifth embodiment of the invention;

FIG. 30 is a front end view thereof;

FIG. 31 is a rear end view thereof; and

FIG. 32 is a left side elevation thereof;

FIG. 33 is a bottom view thereof;

FIG. 34 is a left side elevation thereof upon rotation by 180 degrees; and

FIG. 35 is a top view thereof;

FIG. 36 is a perspective view of a sixth embodiment of the invention;

FIG. 37 is a front end view thereof;

FIG. 38 is a rear end view thereof; and

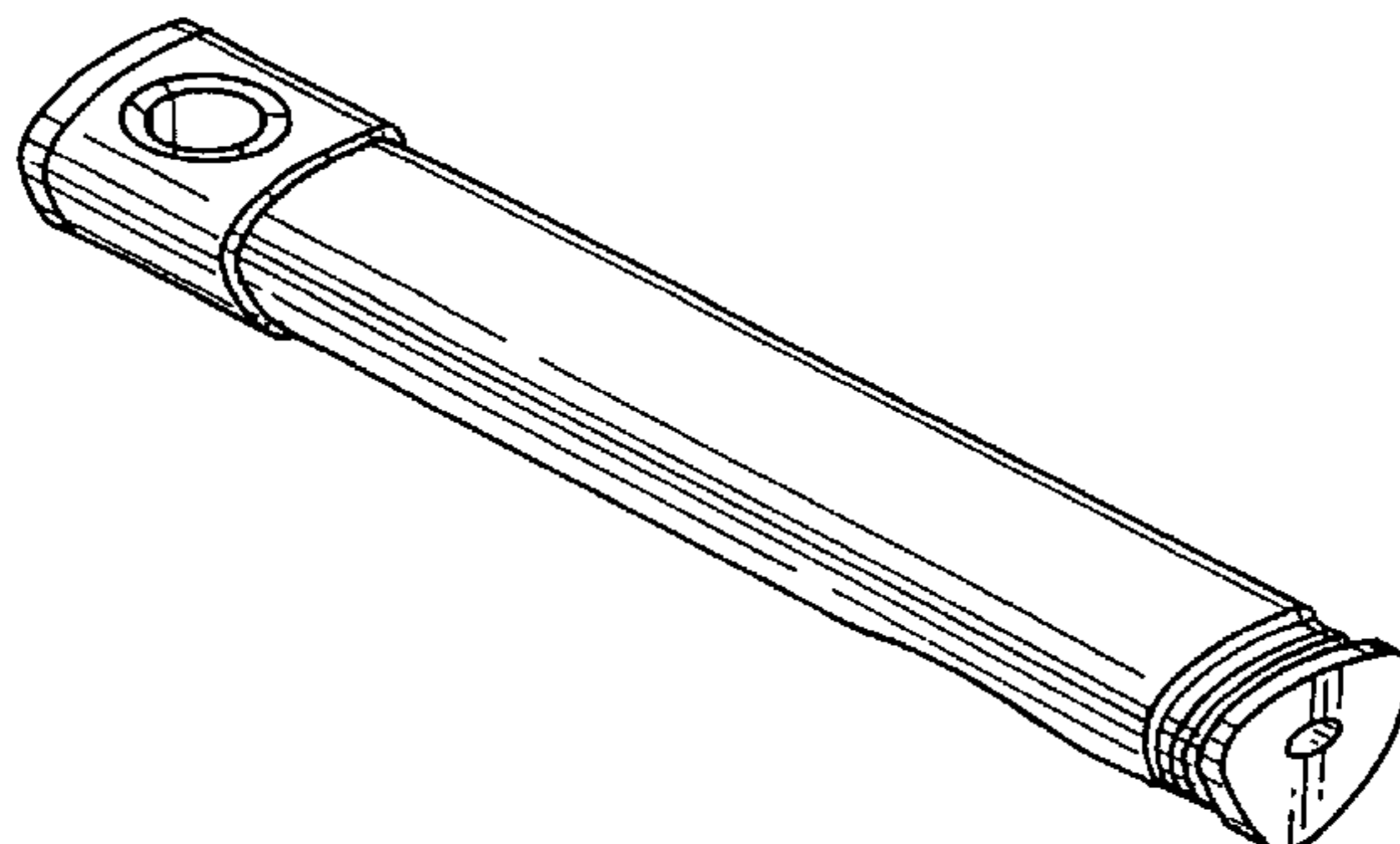
FIG. 39 is a left side elevation thereof;

FIG. 40 is a bottom view thereof;

FIG. 41 is a left side elevation thereof upon rotation by 180 degrees; and,

FIG. 42 is a top view thereof.

1 Claim, 6 Drawing Sheets



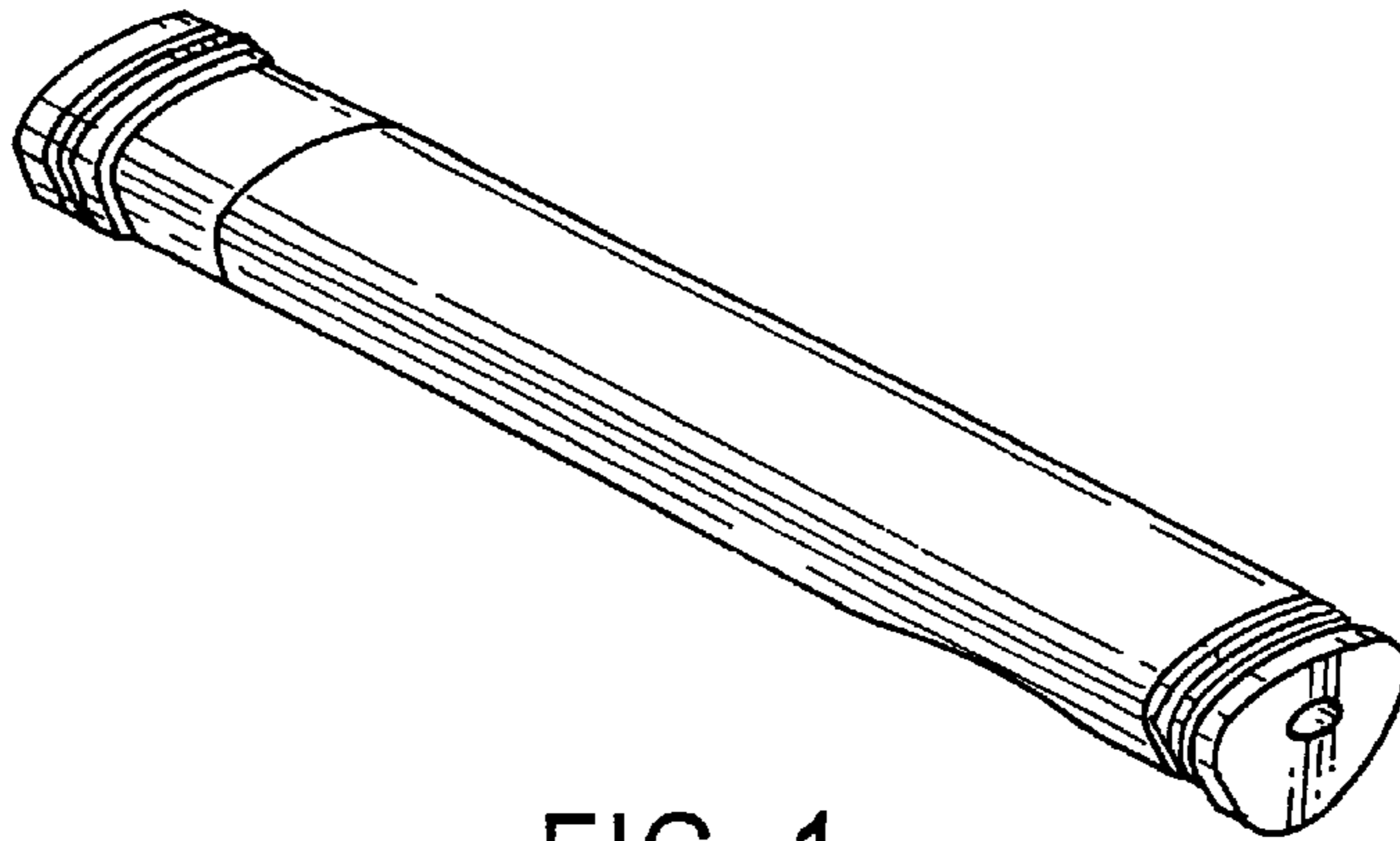


FIG. 1



FIG. 3

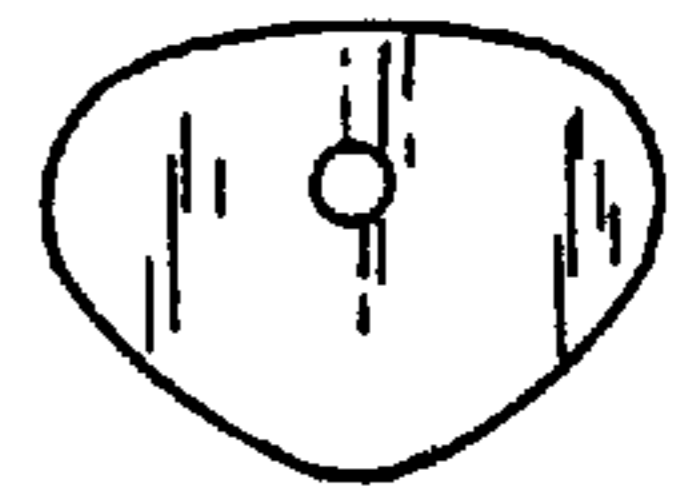


FIG. 2

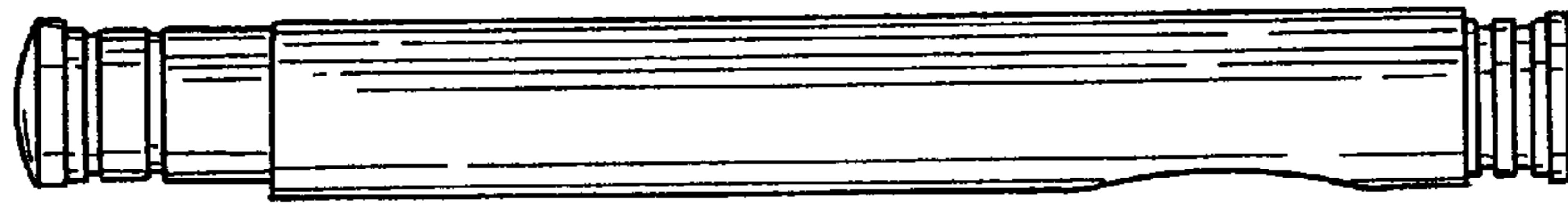


FIG. 4

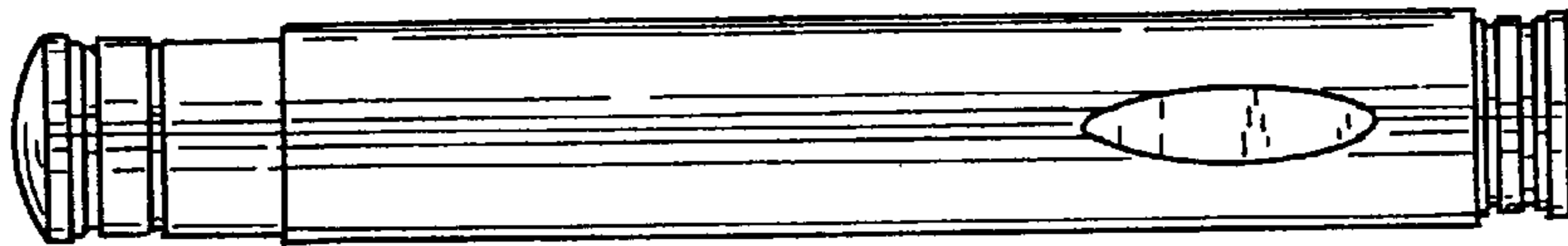


FIG. 5

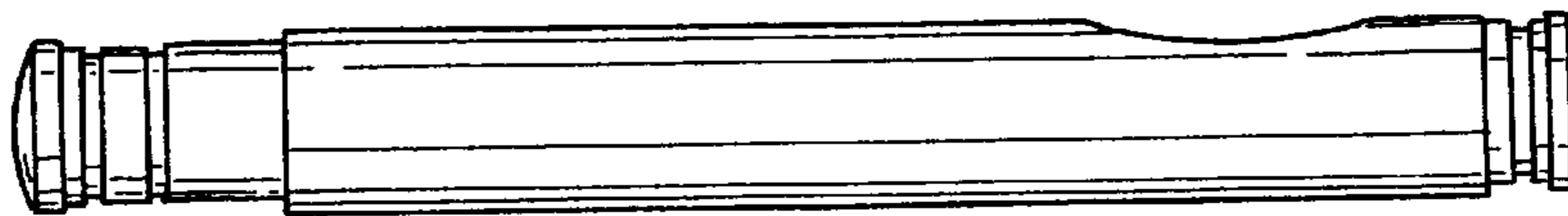


FIG. 6

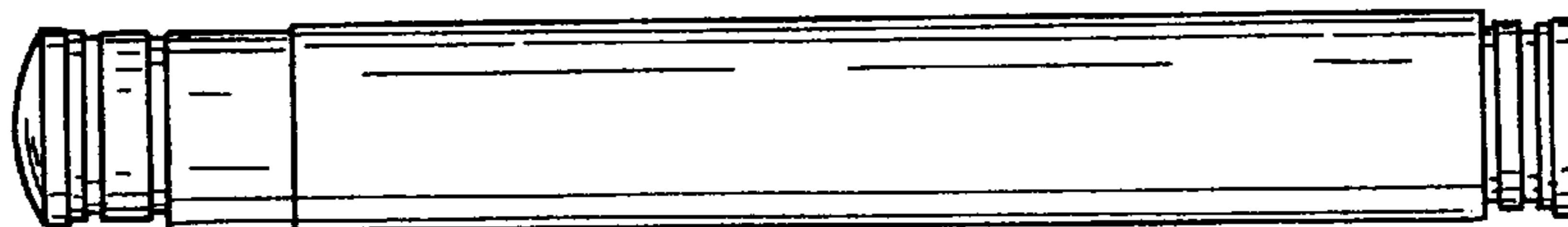


FIG. 7

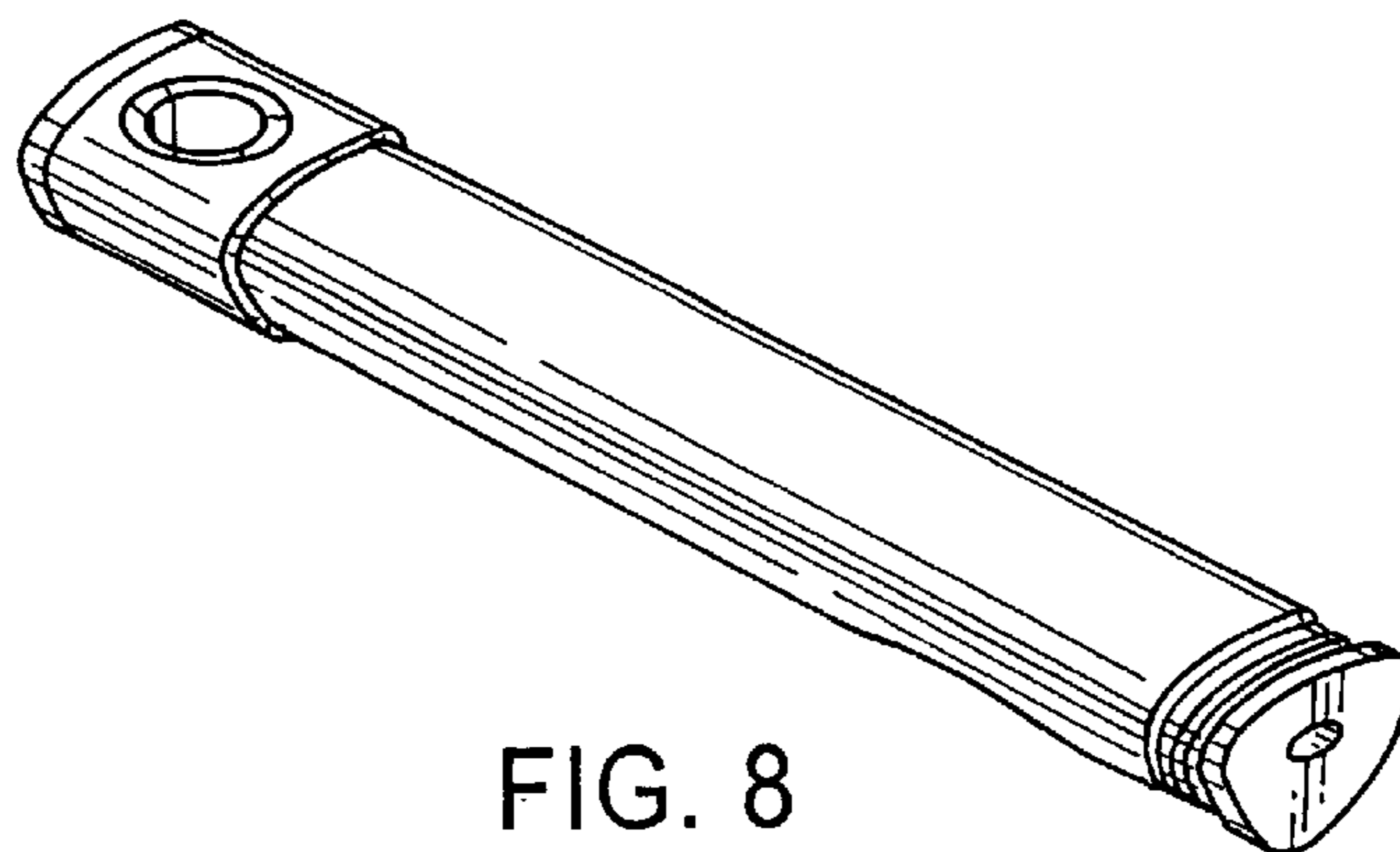


FIG. 8



FIG. 10

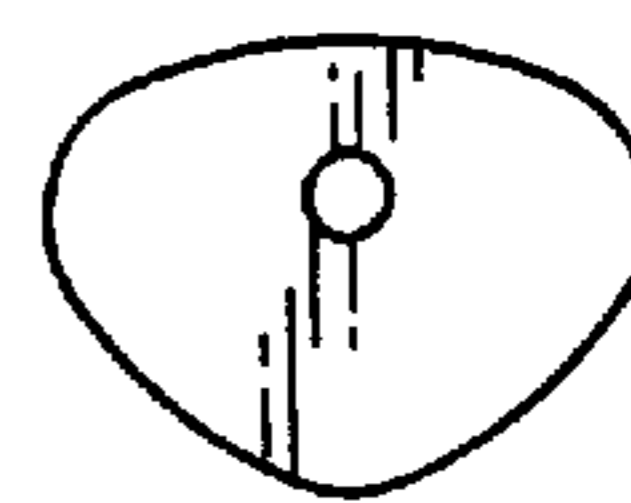


FIG. 9

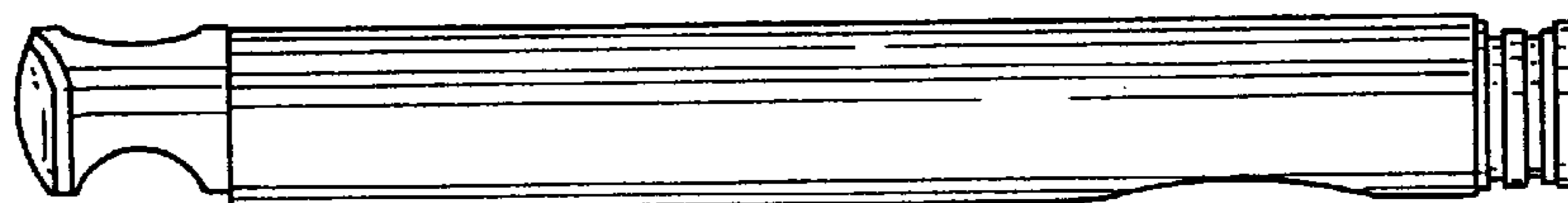


FIG. 11

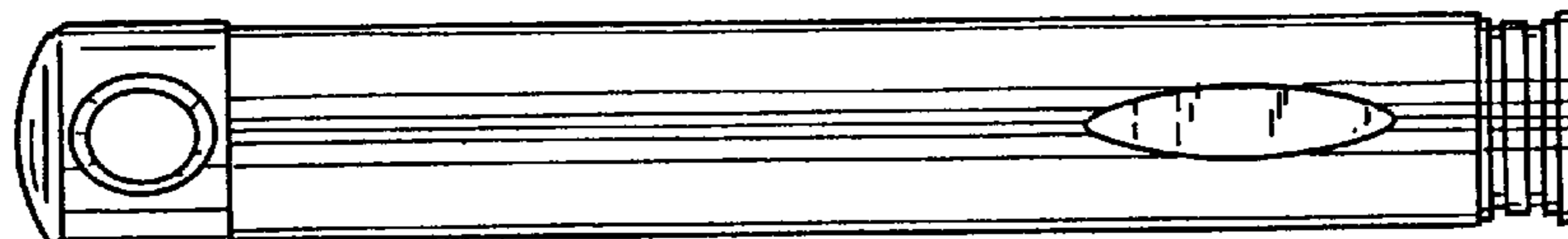


FIG. 12

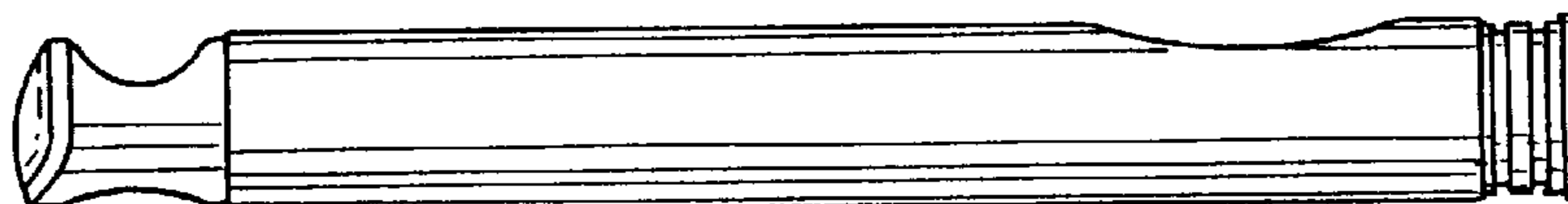


FIG. 13

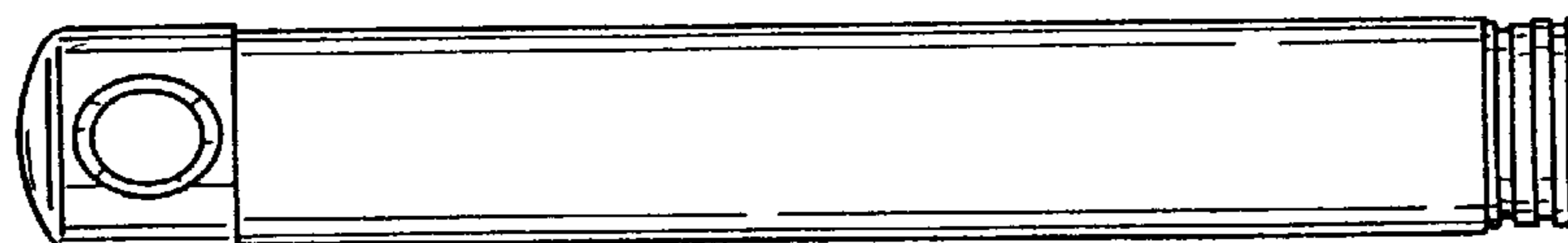


FIG. 14

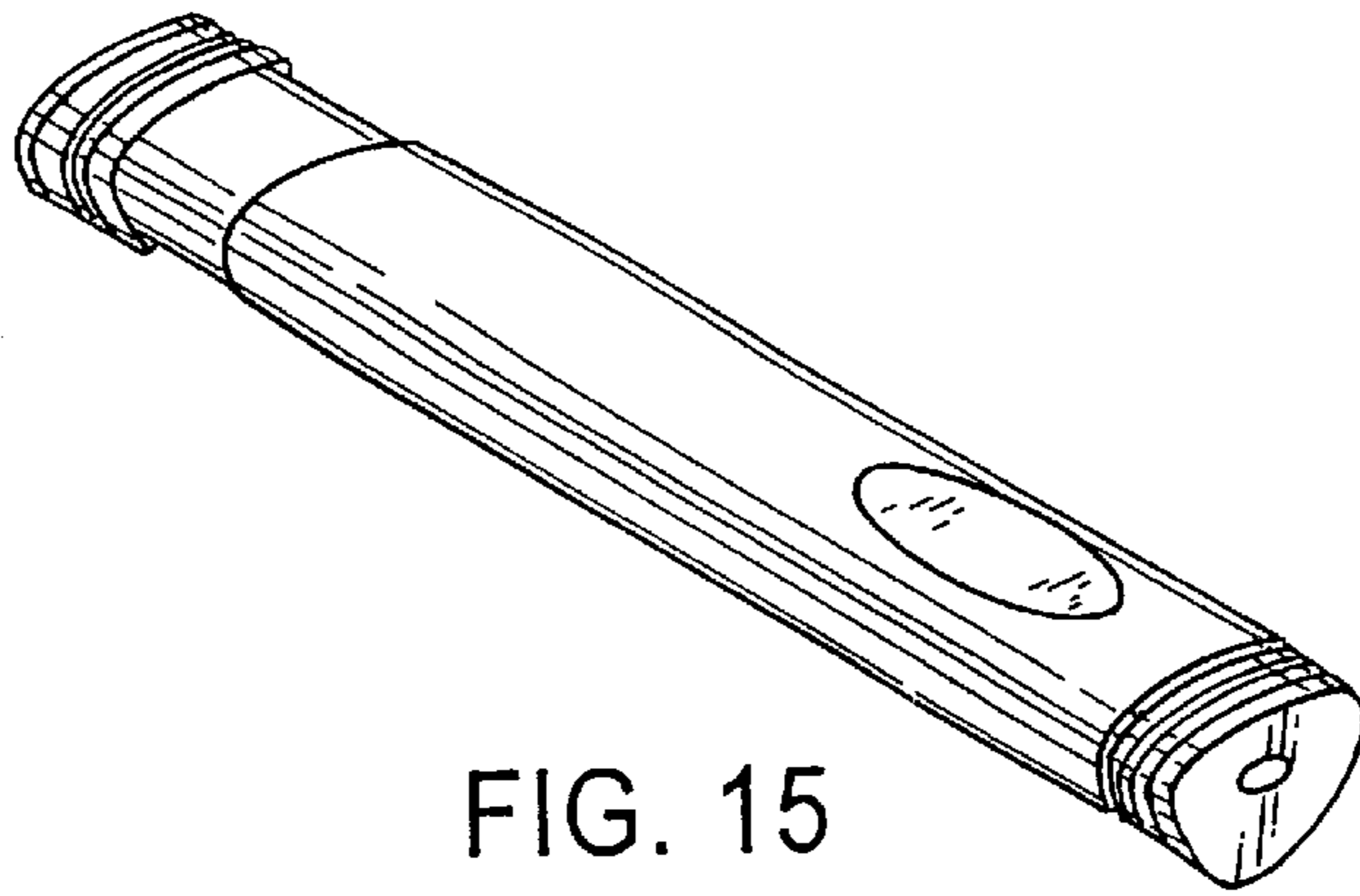


FIG. 15

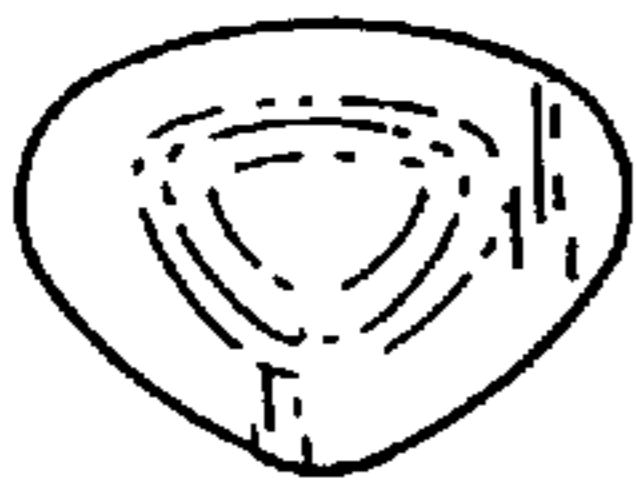


FIG. 17

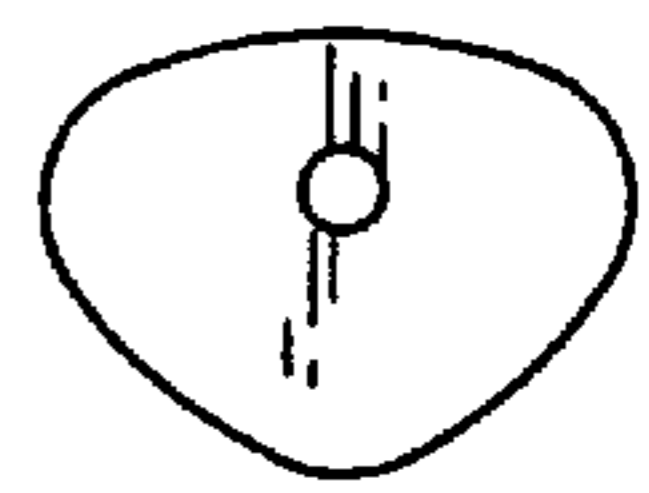


FIG. 16

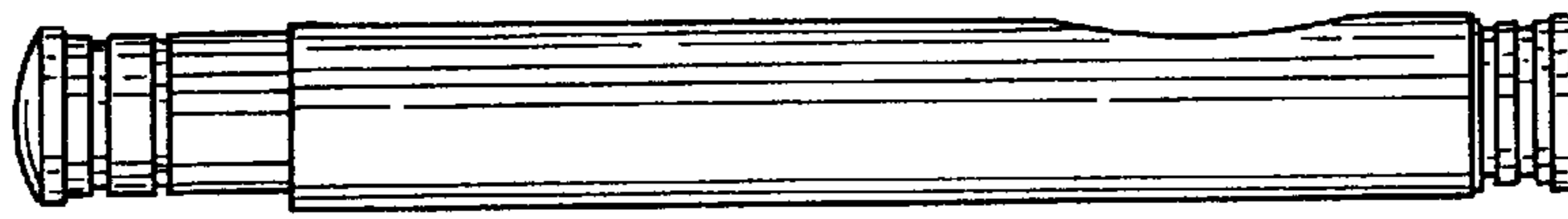


FIG. 18

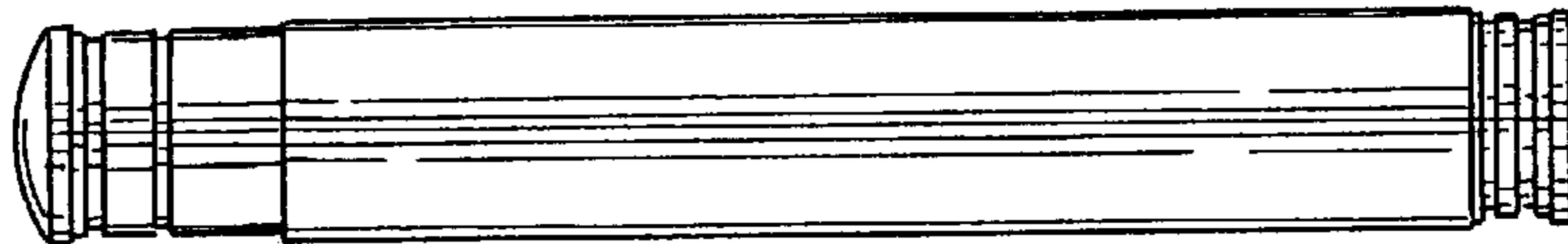


FIG. 19

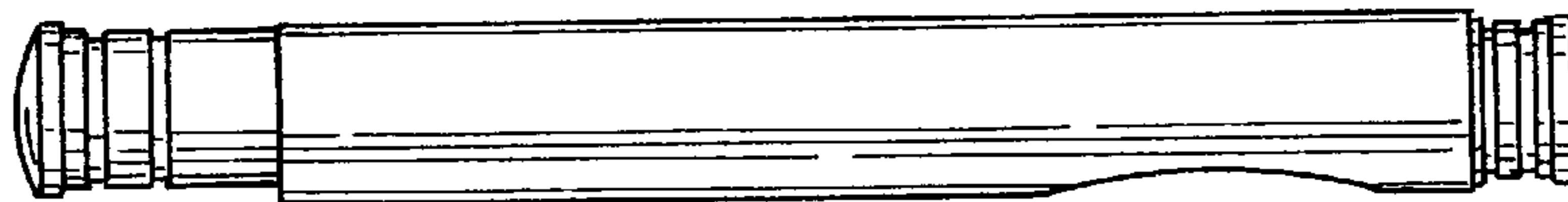


FIG. 20

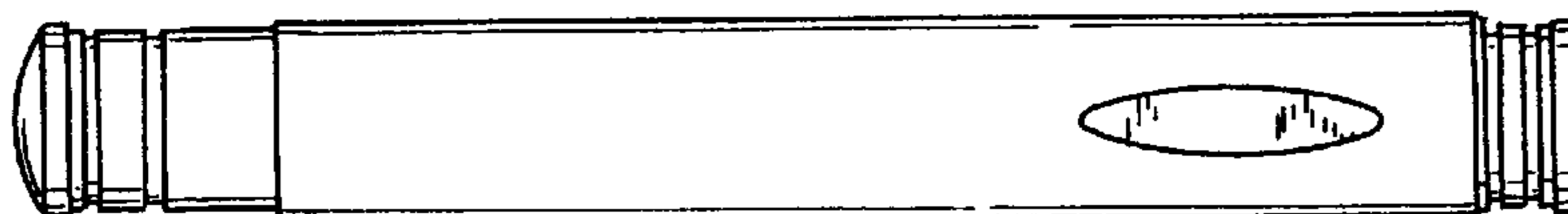


FIG. 21

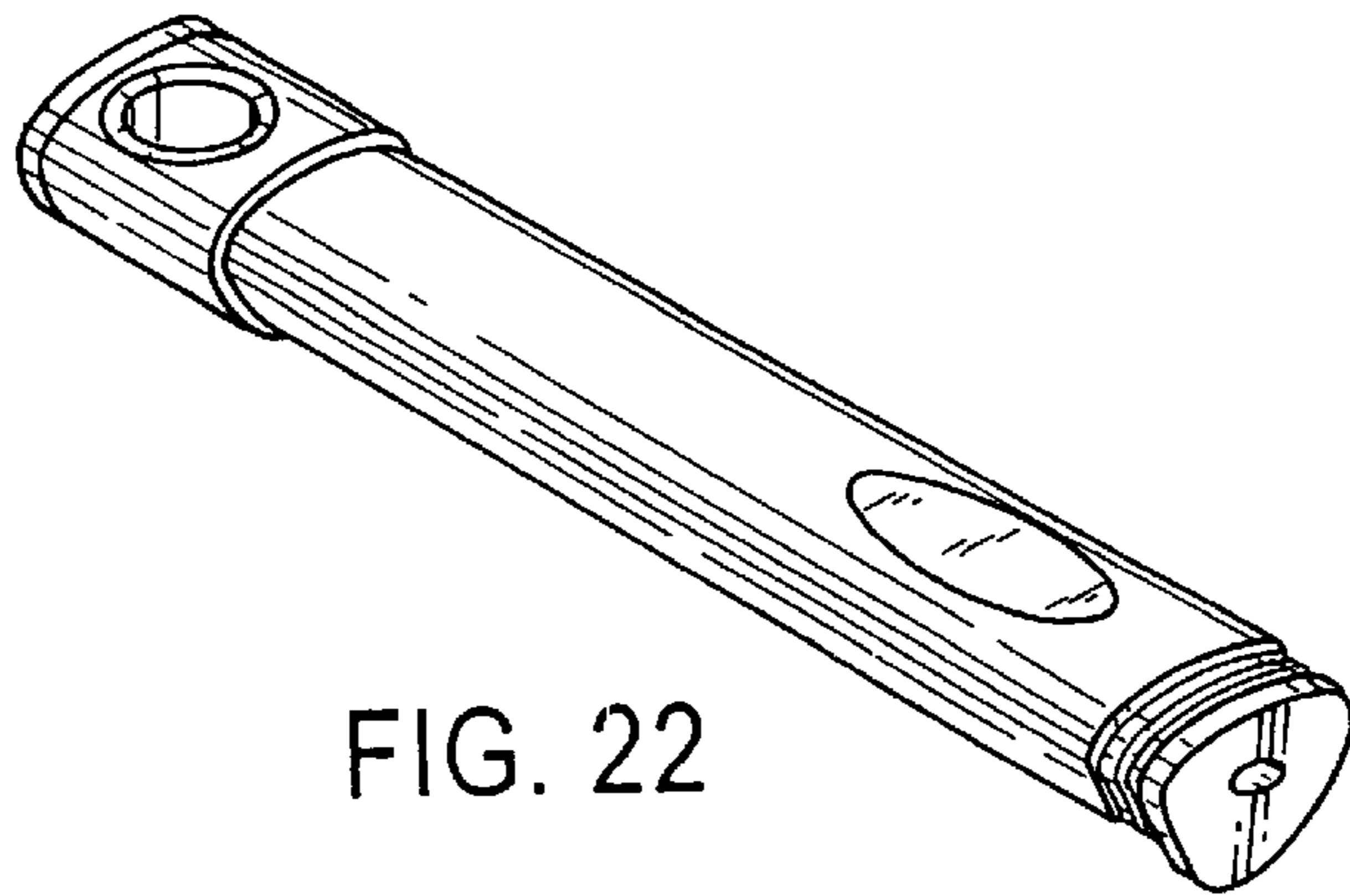


FIG. 22



FIG. 24

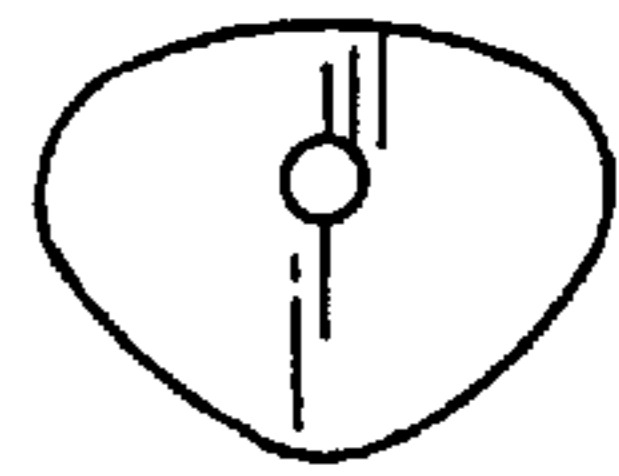


FIG. 23

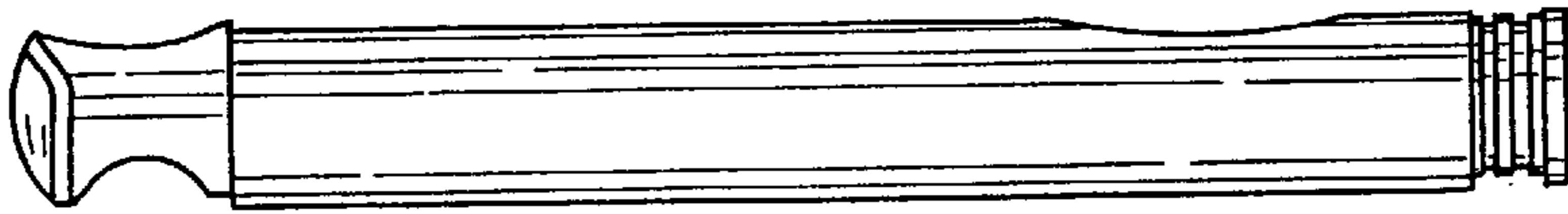


FIG. 25

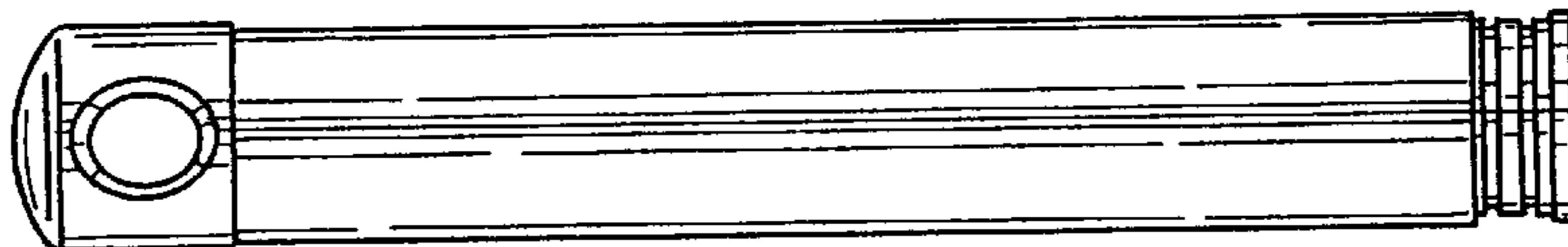


FIG. 26

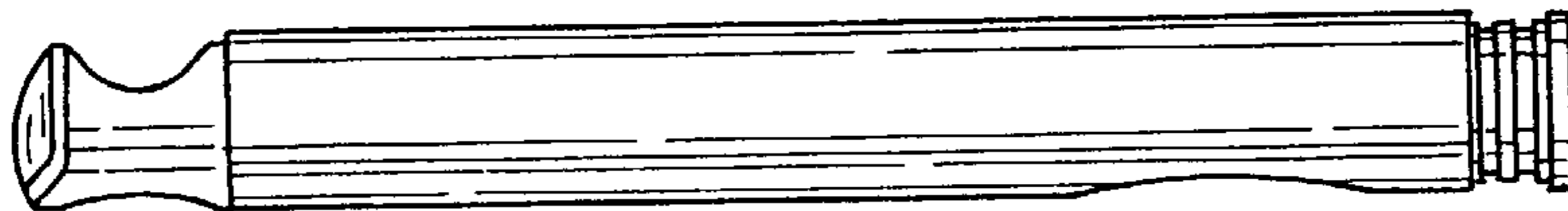


FIG. 27

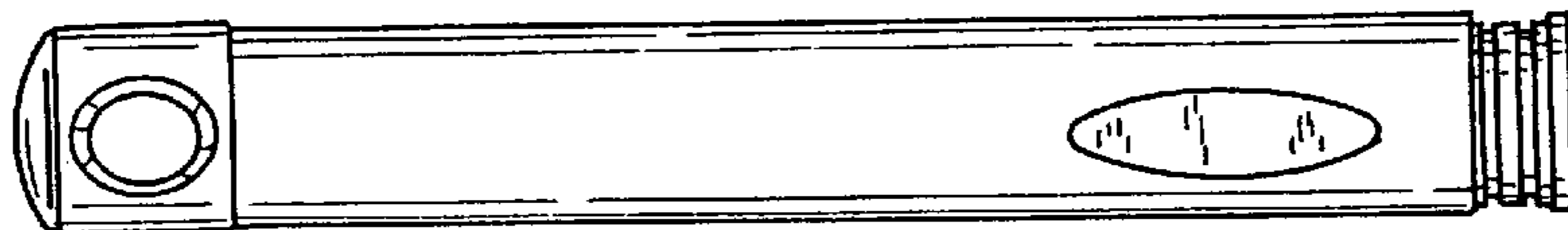


FIG. 28

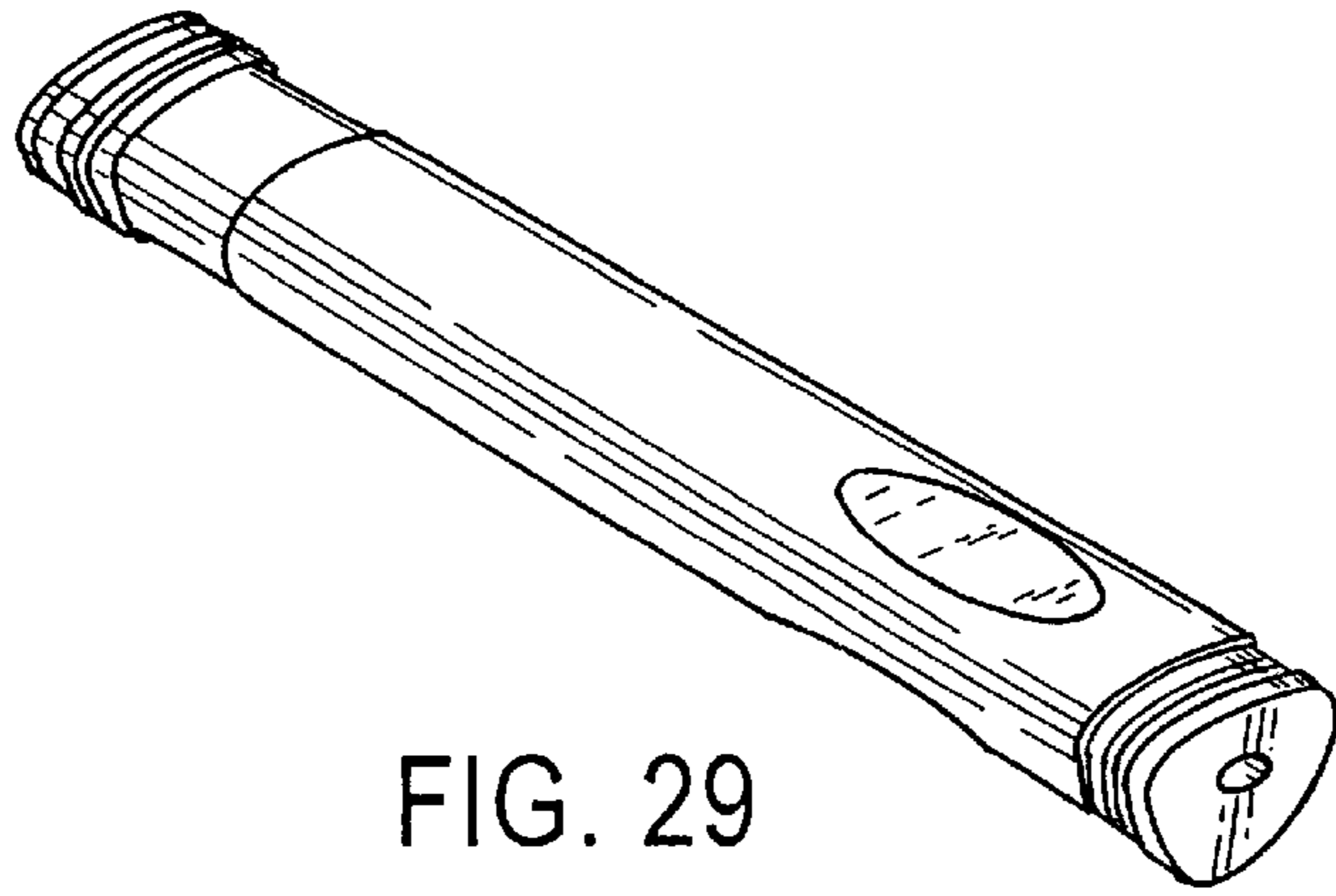


FIG. 29



FIG. 31

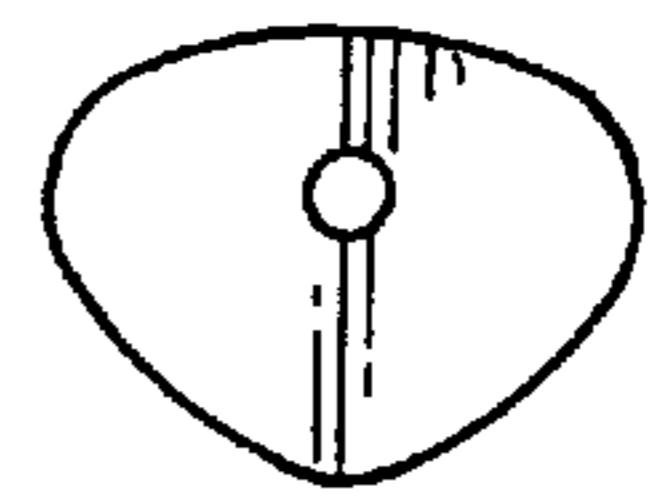


FIG. 30

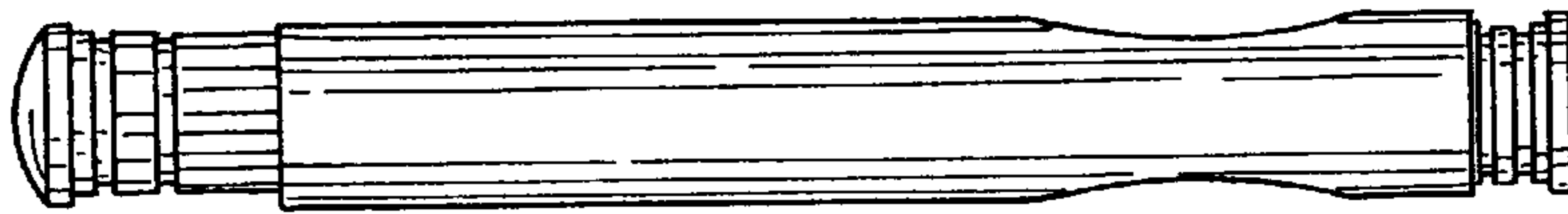


FIG. 32

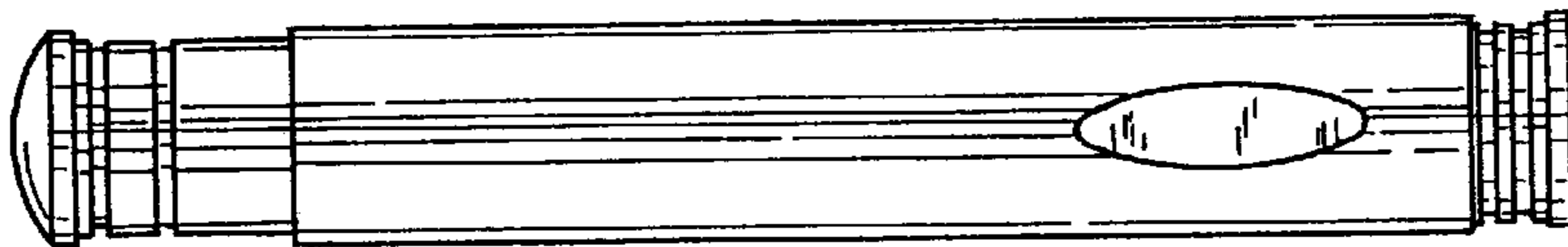


FIG. 33

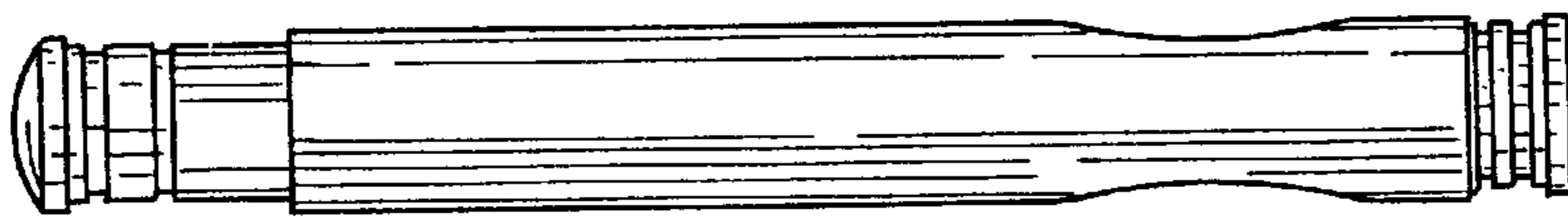


FIG. 34

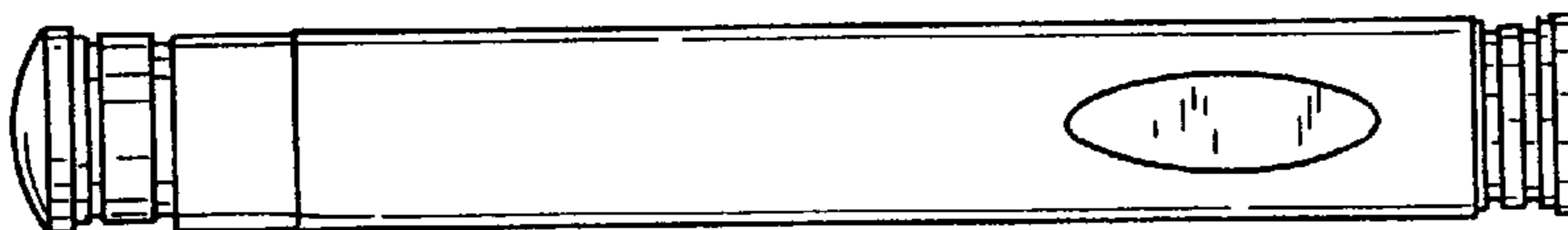


FIG. 35

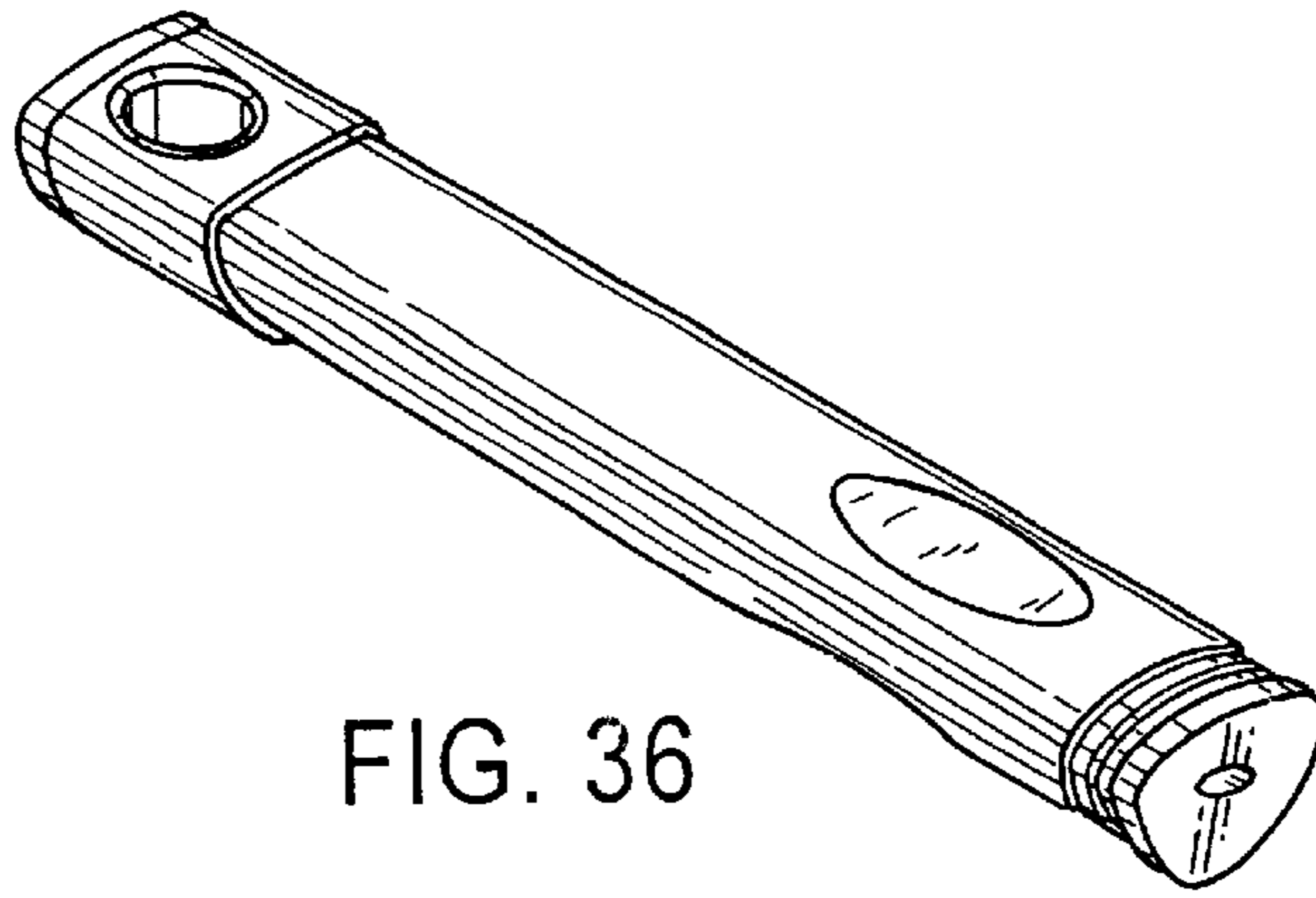


FIG. 36



FIG. 38

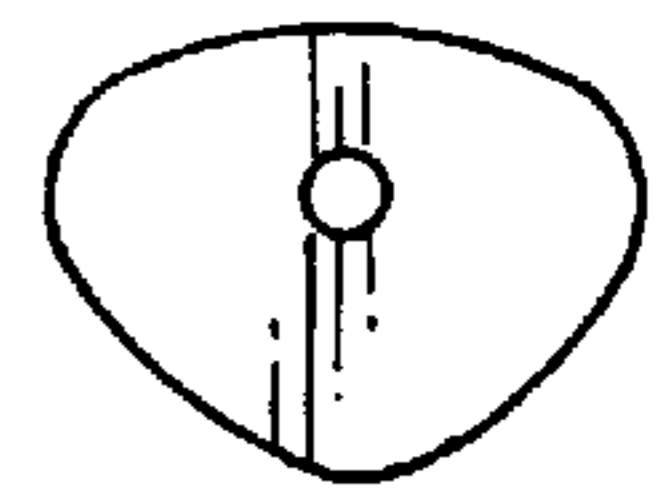


FIG. 37

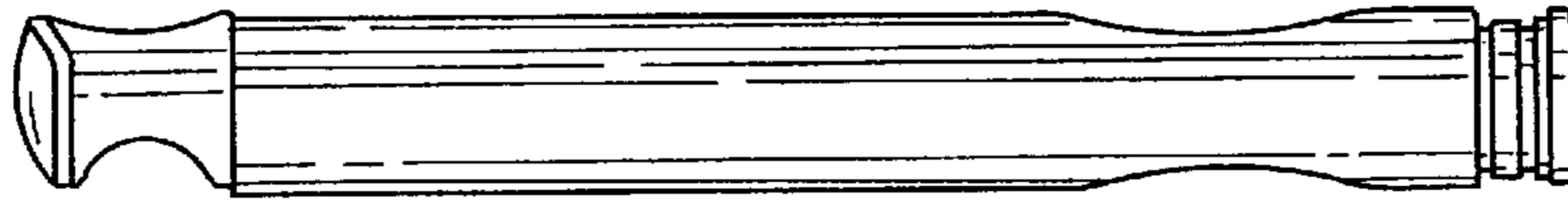


FIG. 39

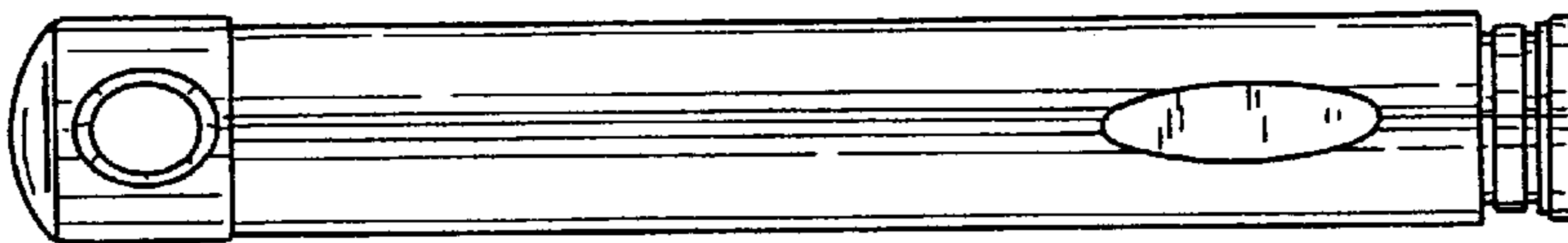


FIG. 40

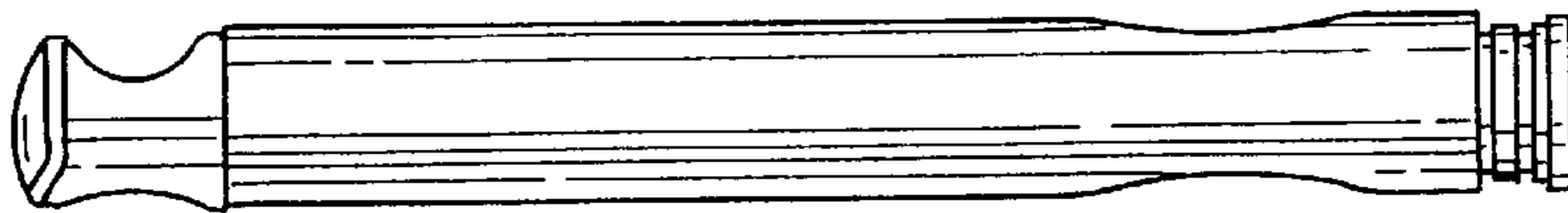


FIG. 41

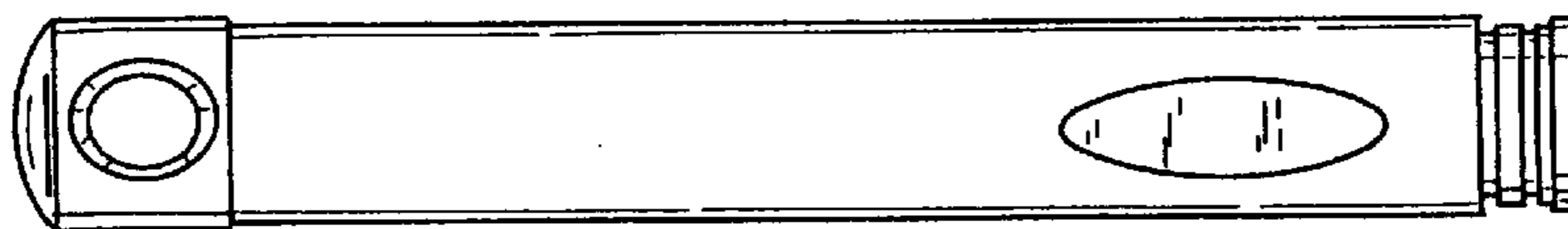


FIG. 42