



US00D422189S

United States Patent [19]
Parsons

[11] **Patent Number: Des. 422,189**
[45] **Date of Patent: ** Apr. 4, 2000**

[54] **TOOL HOLDER**

DESCRIPTION

[75] Inventor: **Kevin L. Parsons**, Appleton, Wis.
[73] Assignee: **Armament Systems and Procedures, Inc.**, Appleton, Wis.
[**] Term: **14 Years**
[21] Appl. No.: **29/100,154**
[22] Filed: **Feb. 5, 1999**
[51] **LOC (6) Cl.** **08-03**
[52] **U.S. Cl.** **D8/99; D8/100**
[58] **Field of Search** D8/98, 99, 100, D8/105, 107; 30/151, 152, 153, 154, 155, 156, 157, 158, 159, 160, 161, 162

[56] **References Cited**

U.S. PATENT DOCUMENTS

D. 61,220	7/1922	Ochse	D8/100
D. 117,093	10/1939	Florman	D8/100
D. 361,254	8/1995	Silberstein	D8/99
D. 407,291	3/1999	Knoop	D8/99

OTHER PUBLICATIONS

Smokey Mountain Knife Works Catalog, p. 59 Novelty Knives, p. 125 Cross Knives, 1996.
Advertisement from 1998 Herrington Catalogue, Londonderry, NH.

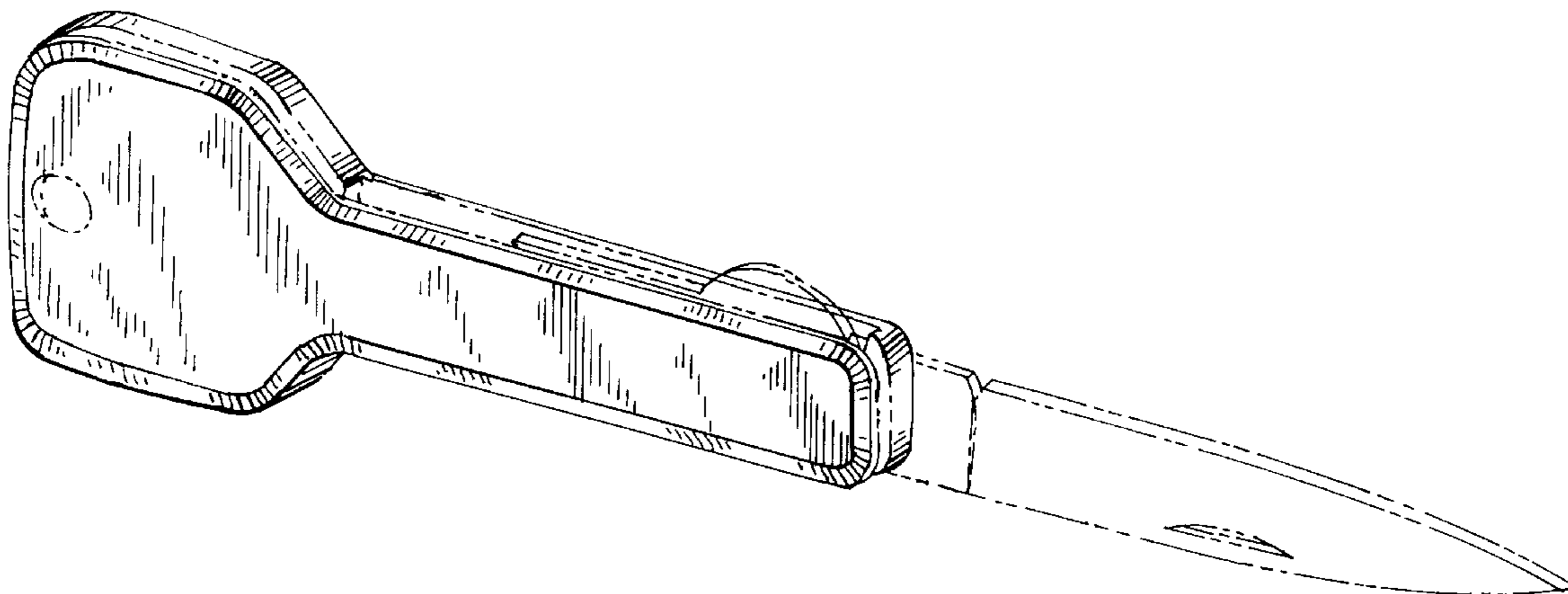
Primary Examiner—Philip S. Hyder
Attorney, Agent, or Firm—McDonnell Boehnen Hulbert & Berghoff

[57] **CLAIM**

The ornamental design for a tool holder, as shown and described.

FIG. 1 is a side view of a first embodiment of the tool holder, with a knife blade in a closed position;
FIG. 2 is a perspective view thereof, with the blade in an open position;
FIG. 3 is a top view thereof, with the blade in the open position;
FIG. 4 is a bottom view thereof, with the blade in the open position;
FIG. 5 is a side view opposite the side view of FIG. 1, but with the blade in the open position;
FIG. 6 is a side view as in FIG. 1, but with the blade in the open position;
FIG. 7 is a rear view thereof;
FIG. 8 is a front view thereof;
FIG. 9 is a side view of a second embodiment of the tool holder, with a knife blade and a handcuff key in a closed position;
FIG. 10 is a perspective view thereof, with the blade and handcuff key in an open position;
FIG. 11 is a top view thereof, with the blade in the open position;
FIG. 12 is a bottom view thereof, with the blade in the open position;
FIG. 13 is a side view opposite the side view of FIG. 9, but with the blade and handcuff key in the open position;
FIG. 14 is a side view as in FIG. 9, but with the blade and handcuff key in the open position;
FIG. 15 is a rear view thereof; and,
FIG. 16 is a front view thereof.
The broken line showings of the knife blade and the handcuff key are for illustrative purposes only and form no part of the claimed design.

1 Claim, 4 Drawing Sheets



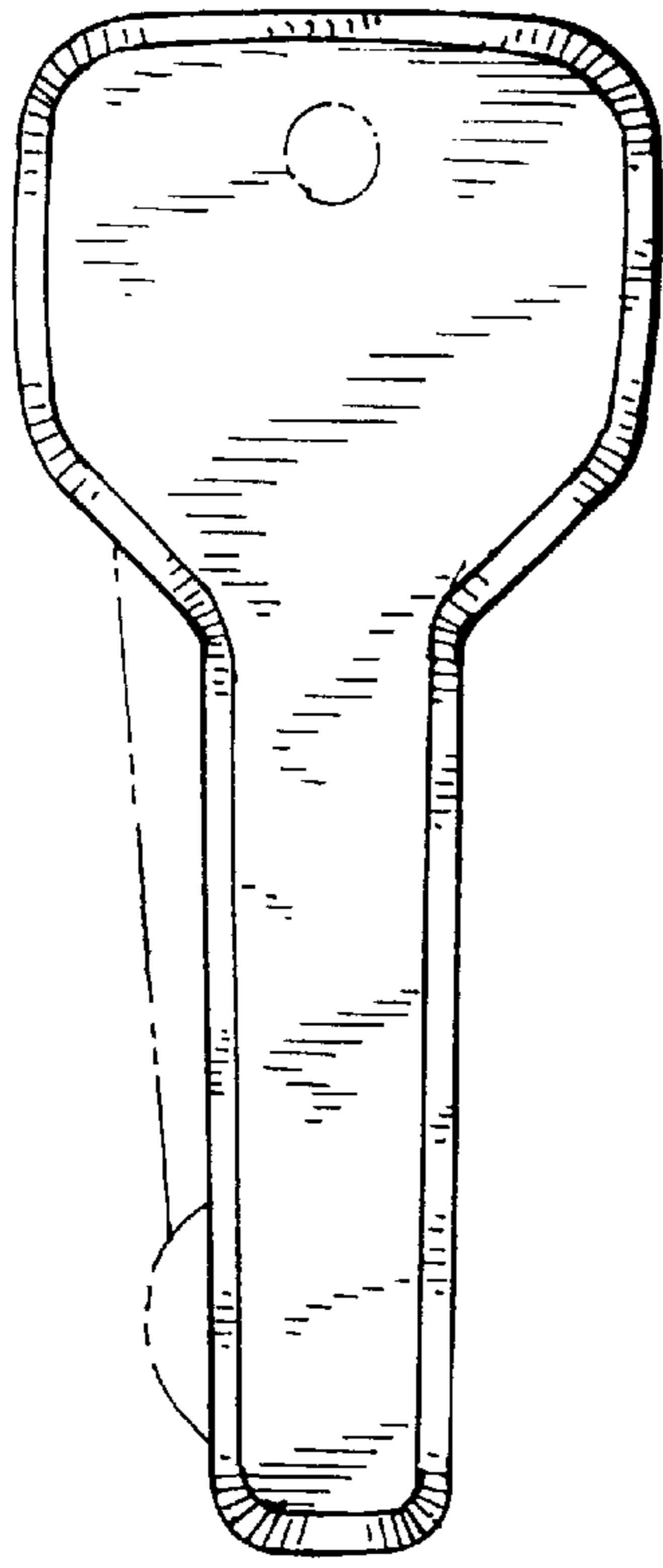


FIG. 1

FIG. 2

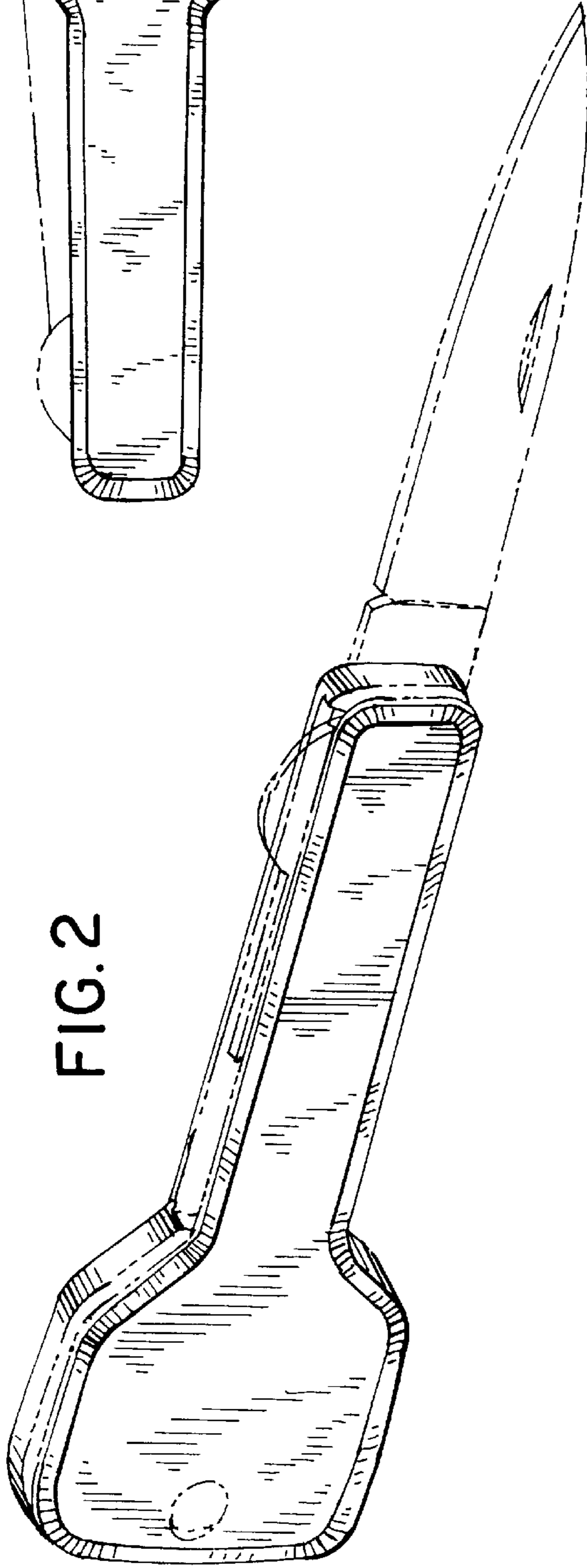


FIG. 3



FIG. 4

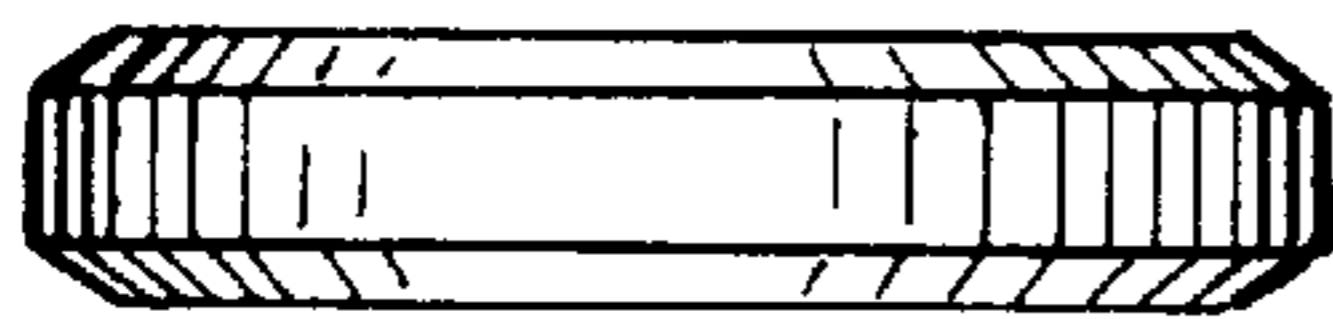
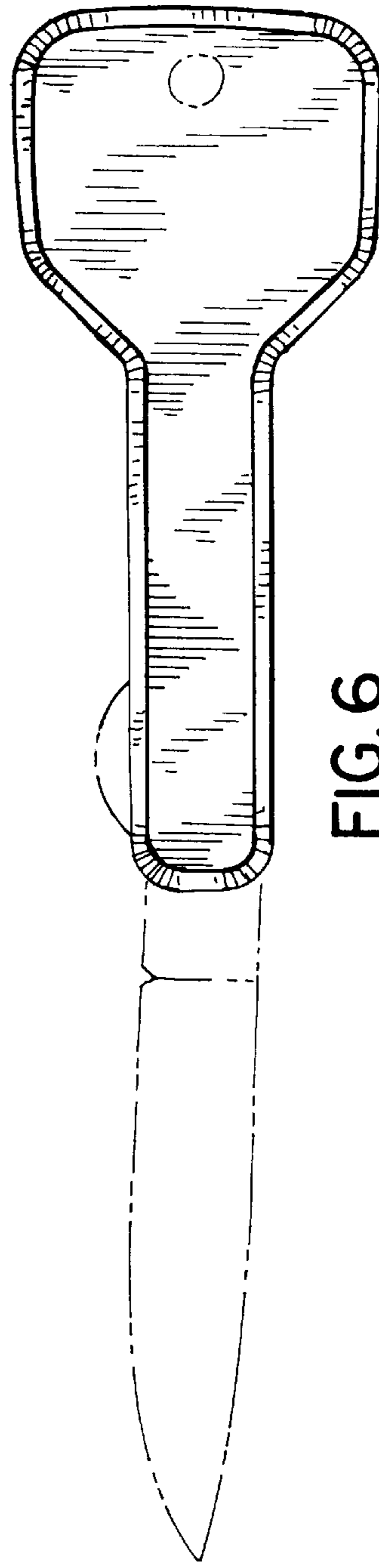
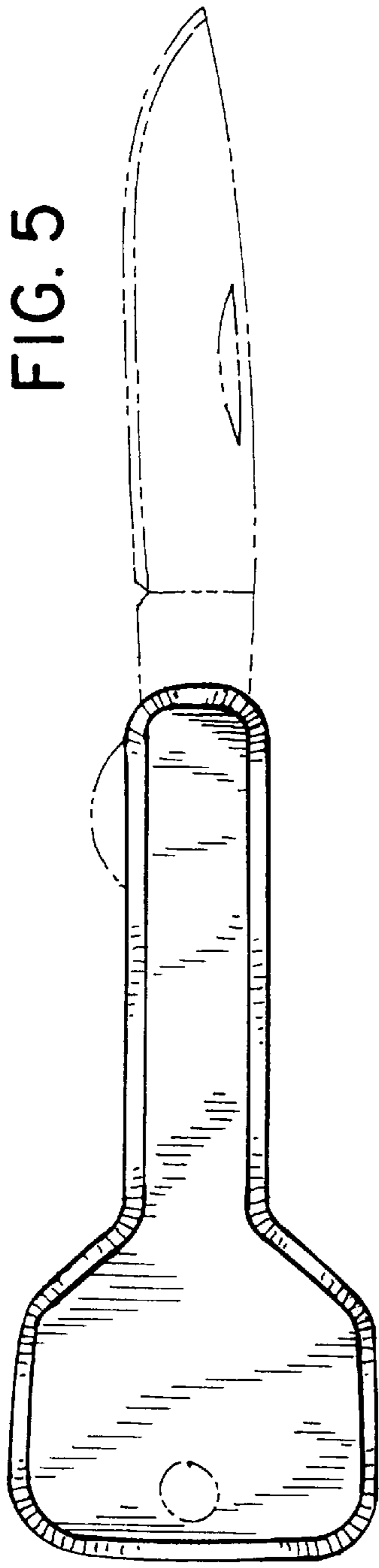


FIG. 7



FIG. 8

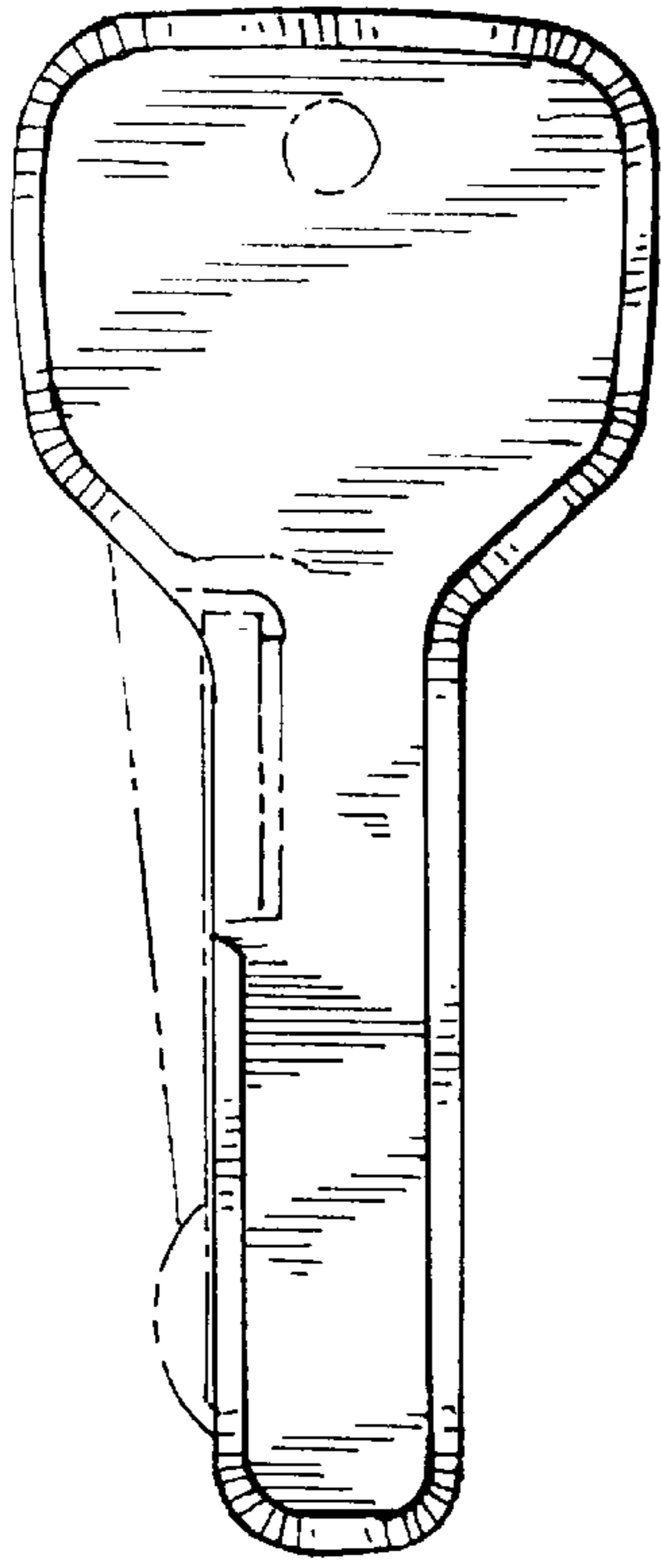


FIG. 9

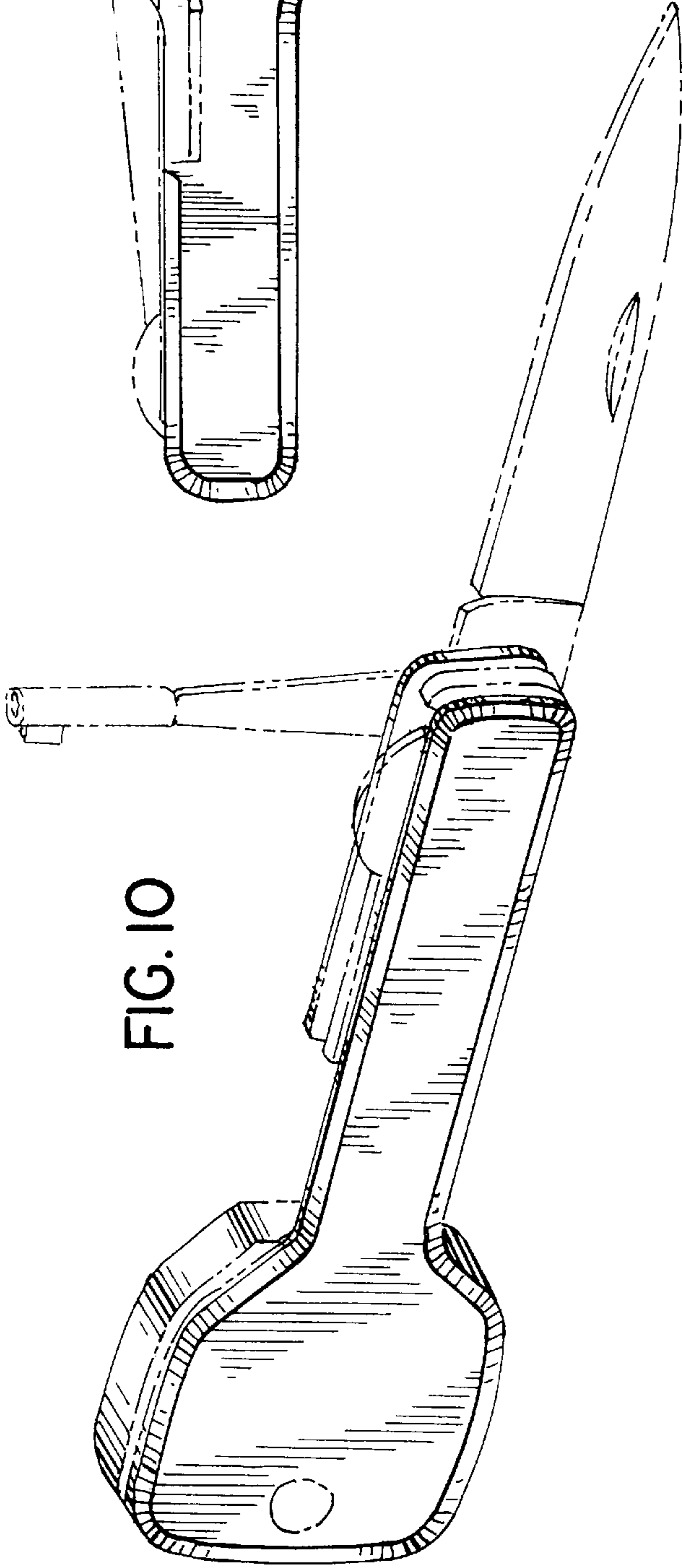


FIG. 10



FIG. 11

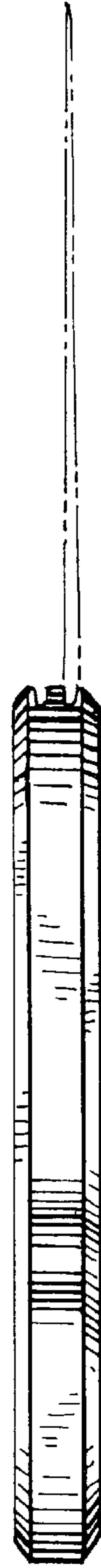


FIG. 12

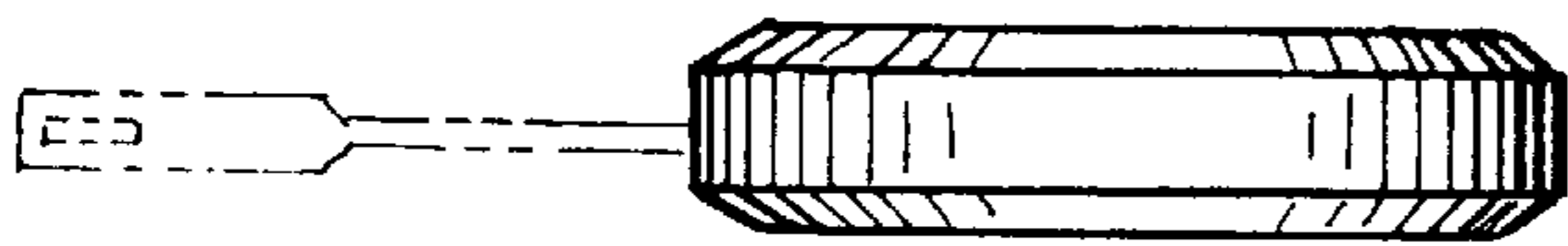


FIG. 15

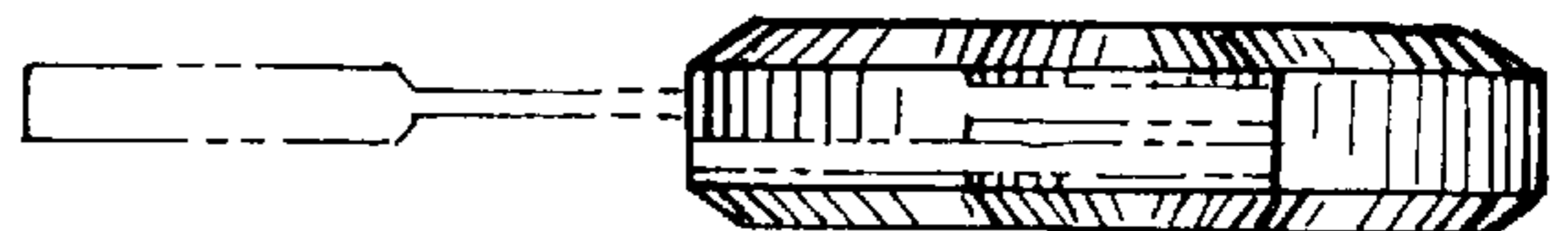


FIG. 16

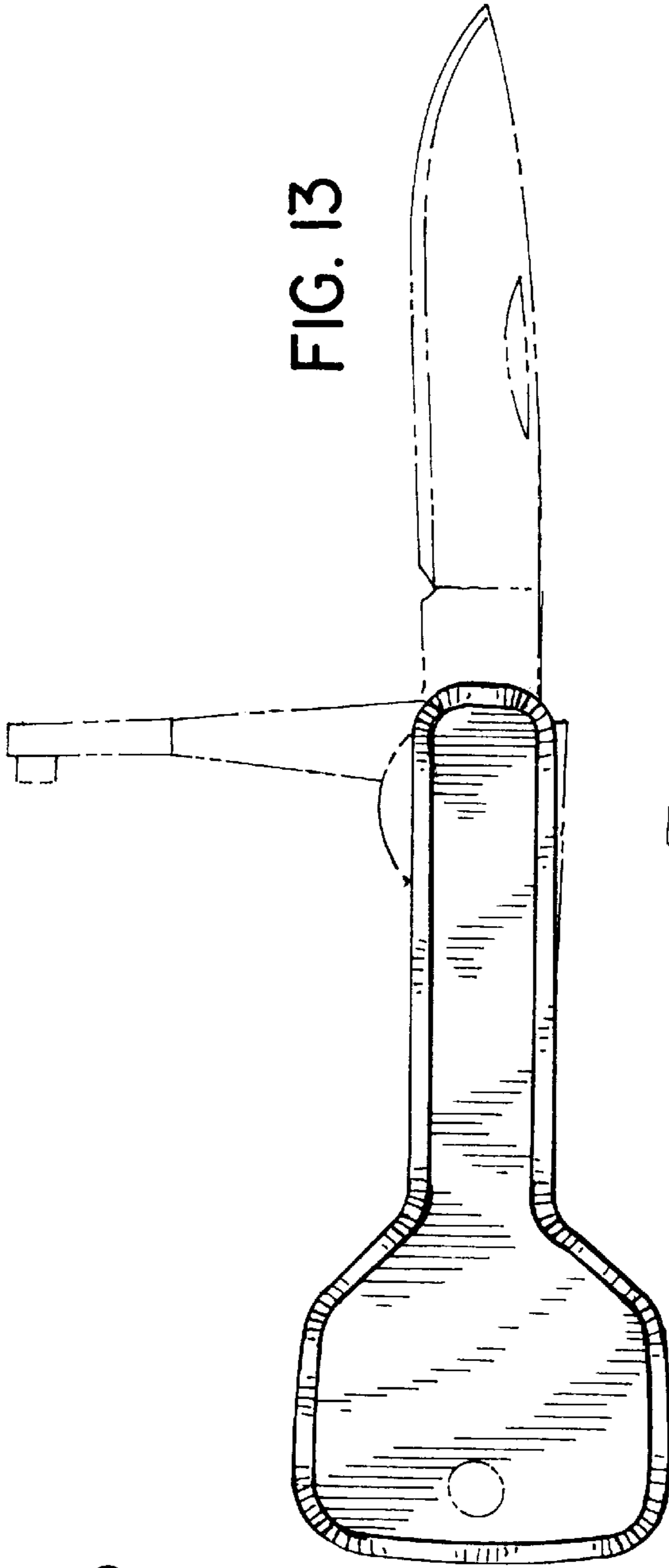


FIG. 13

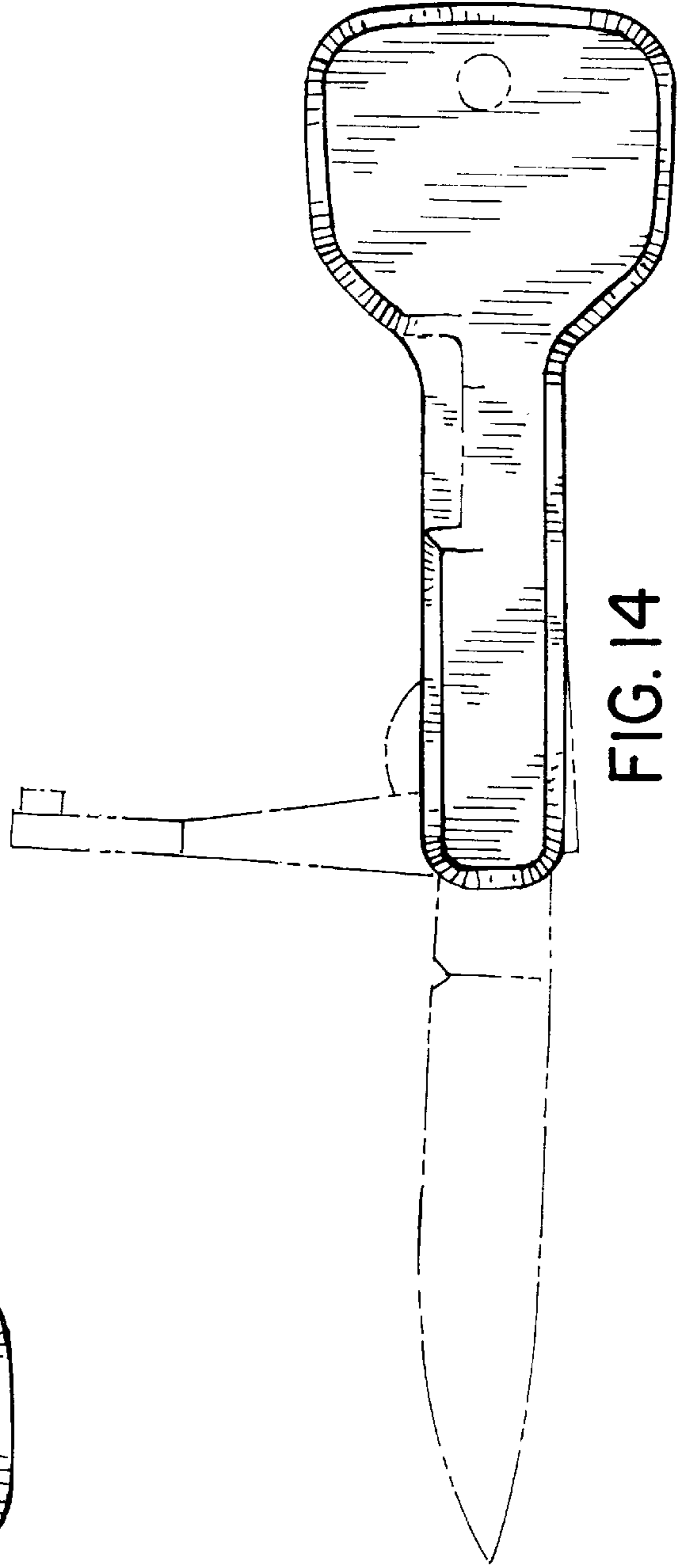


FIG. 14