



US00D422187S

United States Patent [19] Wong

[11] **Patent Number: Des. 422,187**

[45] **Date of Patent: ** Apr. 4, 2000**

[54] **LUG REMOVAL TOOL**

[76] Inventor: **Peter H. Wong**, 15 Roslyn Hills Dr.,
Richmond, Va. 23229

[**] Term: **14 Years**

[21] Appl. No.: **29/098,160**

[22] Filed: **Dec. 23, 1998**

[51] **LOC (6) Cl. 08-05**

[52] **U.S. Cl. D8/51**

[58] **Field of Search** D8/14, 51, 59,
D8/24, 25, 26, 29; 7/100; 81/54, 58, 30

[56] **References Cited**

U.S. PATENT DOCUMENTS

D. 323,608	2/1992	Boese et al.	D8/14
3,973,283	8/1976	Boe	7/100
5,218,730	6/1993	Berry	7/100

Primary Examiner—Alan P. Douglas
Assistant Examiner—Reid Hecker

[57] **CLAIM**

The ornamental design for a lug removal tool, as shown and described.

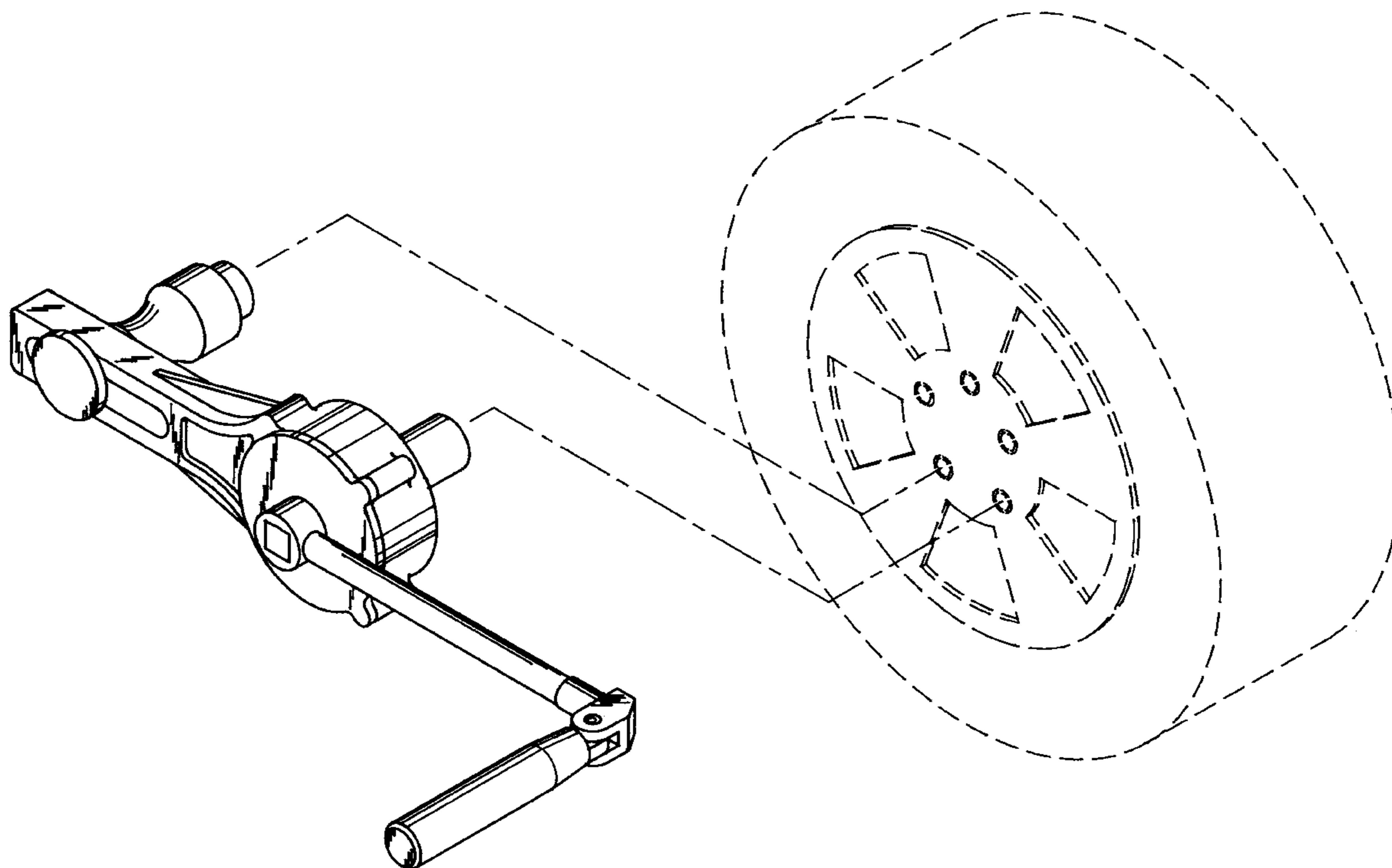
DESCRIPTION

FIG. 1 is a perspective view of a lug removal tool showing my new design in the environment in which it is intended to be used, it being understood that the broken lines are for illustrative purposes only and form no part of the claimed design and

FIG. 2 is an exploded view of FIG. 1. ;

The surface or portion of the article not shown in the drawing or described in the specification form no part of the claimed design.

1 Claim, 2 Drawing Sheets



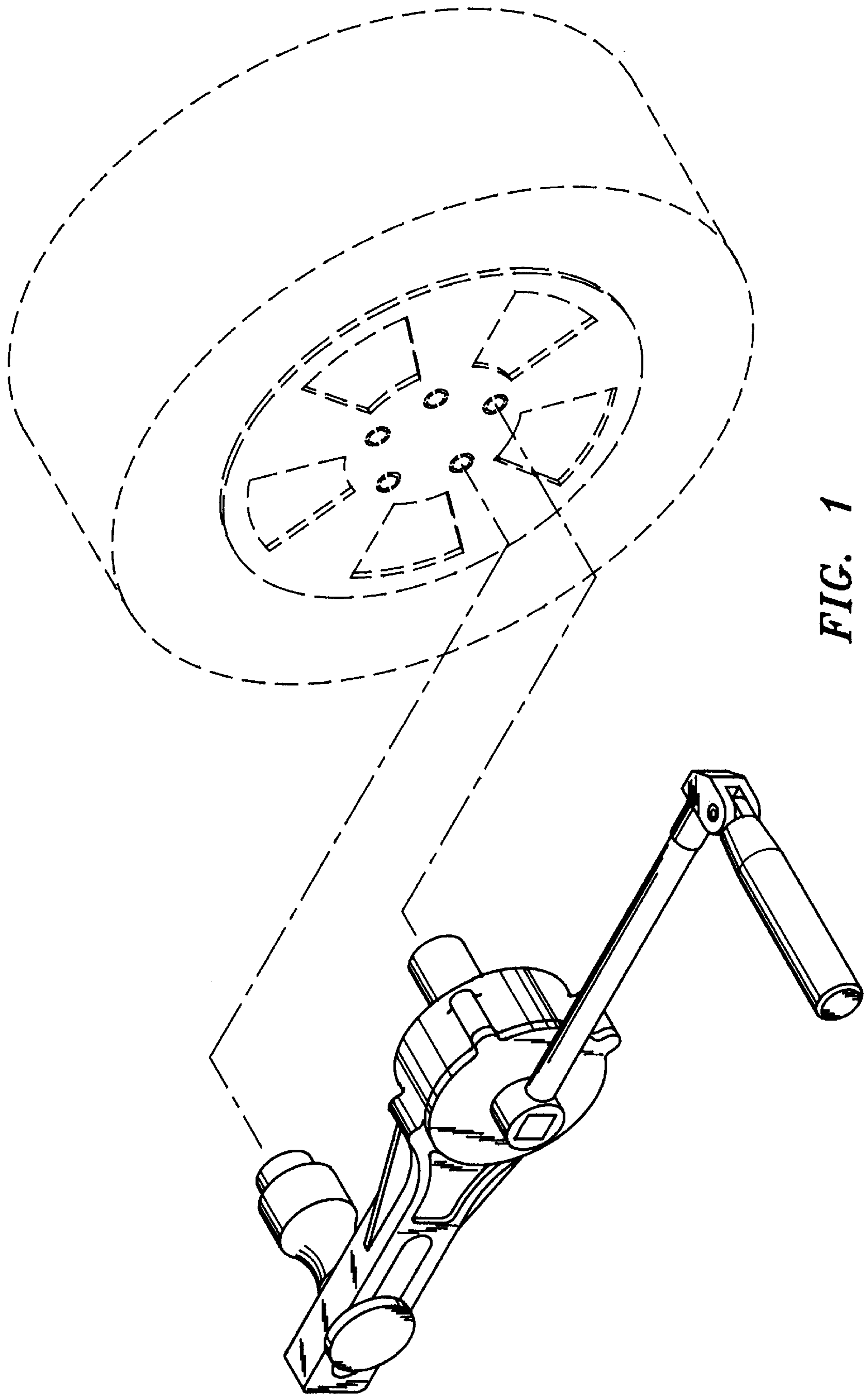


FIG. 1

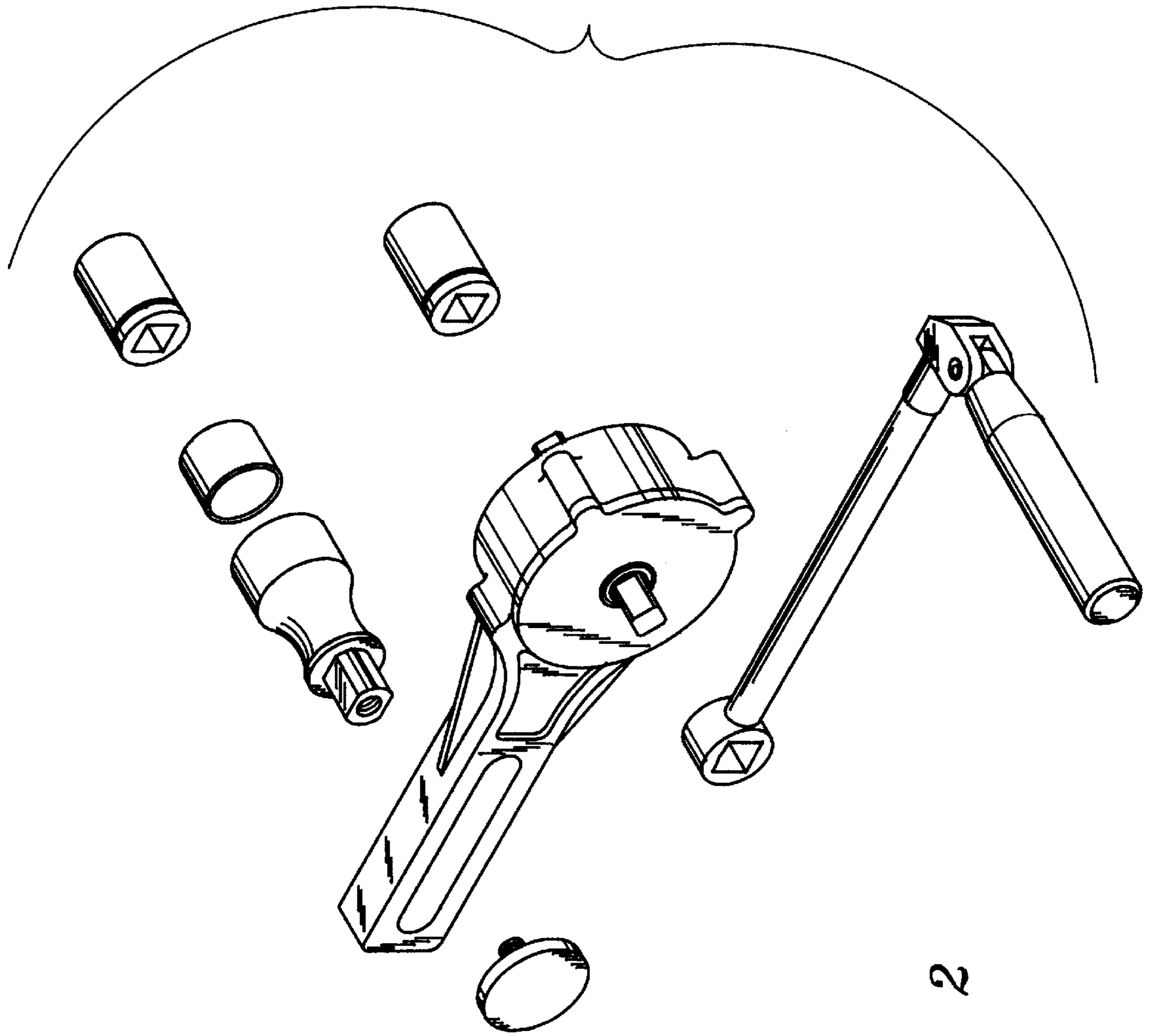


FIG. 2