



US00D422186S

# United States Patent [19]

Amin

[11] Patent Number: **Des. 422,186**

[45] Date of Patent: **\*\* \*Apr. 4, 2000**

[54] **ELECTRODE HOLDER**

[76] Inventor: **Harish A. Amin**, 644 Port Patrick Pl., Fort Mill, S.C. 29715

[\*] Notice: This patent is subject to a terminal disclaimer.

[\*\*] Term: **14 Years**

[21] Appl. No.: **29/098,133**

[22] Filed: **Dec. 22, 1998**

[51] **LOC (6) Cl.** ..... **08-05**

[52] **U.S. Cl.** ..... **D8/30**

[58] **Field of Search** ..... D8/30, 51, 52; 219/70, 138, 140, 144

[56] **References Cited**

**U.S. PATENT DOCUMENTS**

D. 282,816	3/1986	Chaney et al. ....	D8/30
D. 369,728	5/1996	Liang .....	D8/30
2,384,999	9/1945	Heinrich .....	218/138
2,472,177	6/1949	Taber .....	219/138
2,799,771	7/1957	Donnelly, Jr. ....	219/138
2,894,086	7/1959	Rizer .....	219/138
2,899,536	8/1959	Hoese et al. ....	219/138

3,140,386	7/1964	Cartwright .....	219/138
3,356,823	12/1967	Waters et al. ....	219/138
3,573,419	4/1971	Henderson .....	219/138

*Primary Examiner*—Philip S. Hyder  
*Attorney, Agent, or Firm*—Moore & Van Allen, PLLC

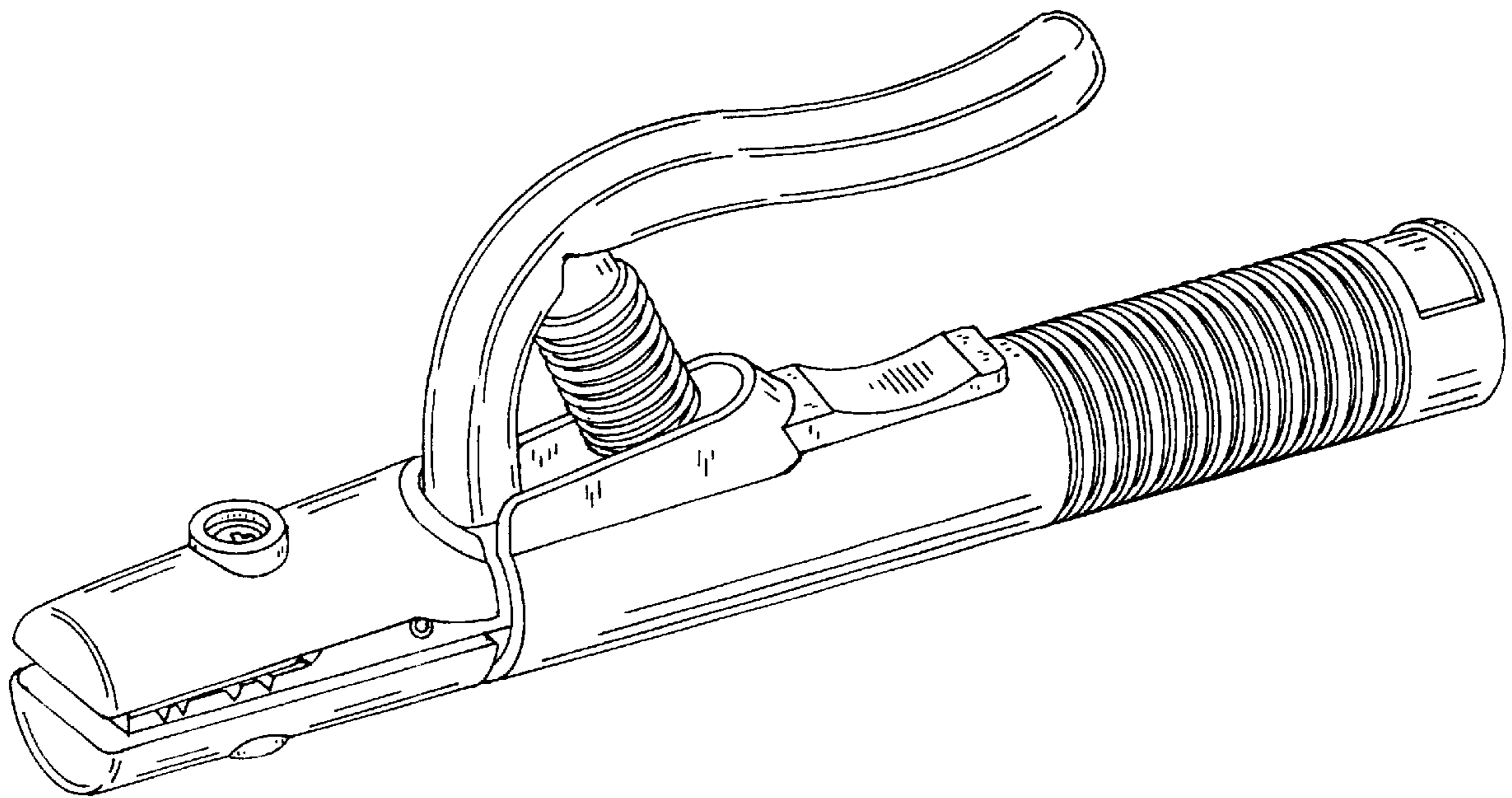
[57] **CLAIM**

I claim the ornamental design for an electrode holder, as shown and described.

**DESCRIPTION**

FIG. 1 is a perspective view of an electrode holder showing our new design;  
 FIG. 2 is a front end view of an electrode holder showing our new design;  
 FIG. 3 is a back end view of an electrode holder showing our new design;  
 FIG. 4 is a top view of an electrode holder showing our new design;  
 FIG. 5 is a side view of an electrode holder showing our new design;  
 FIG. 6 is a bottom view of an electrode holder showing our new design; and,  
 FIG. 7 is a side view of an electrode holder showing our new design.

**1 Claim, 3 Drawing Sheets**



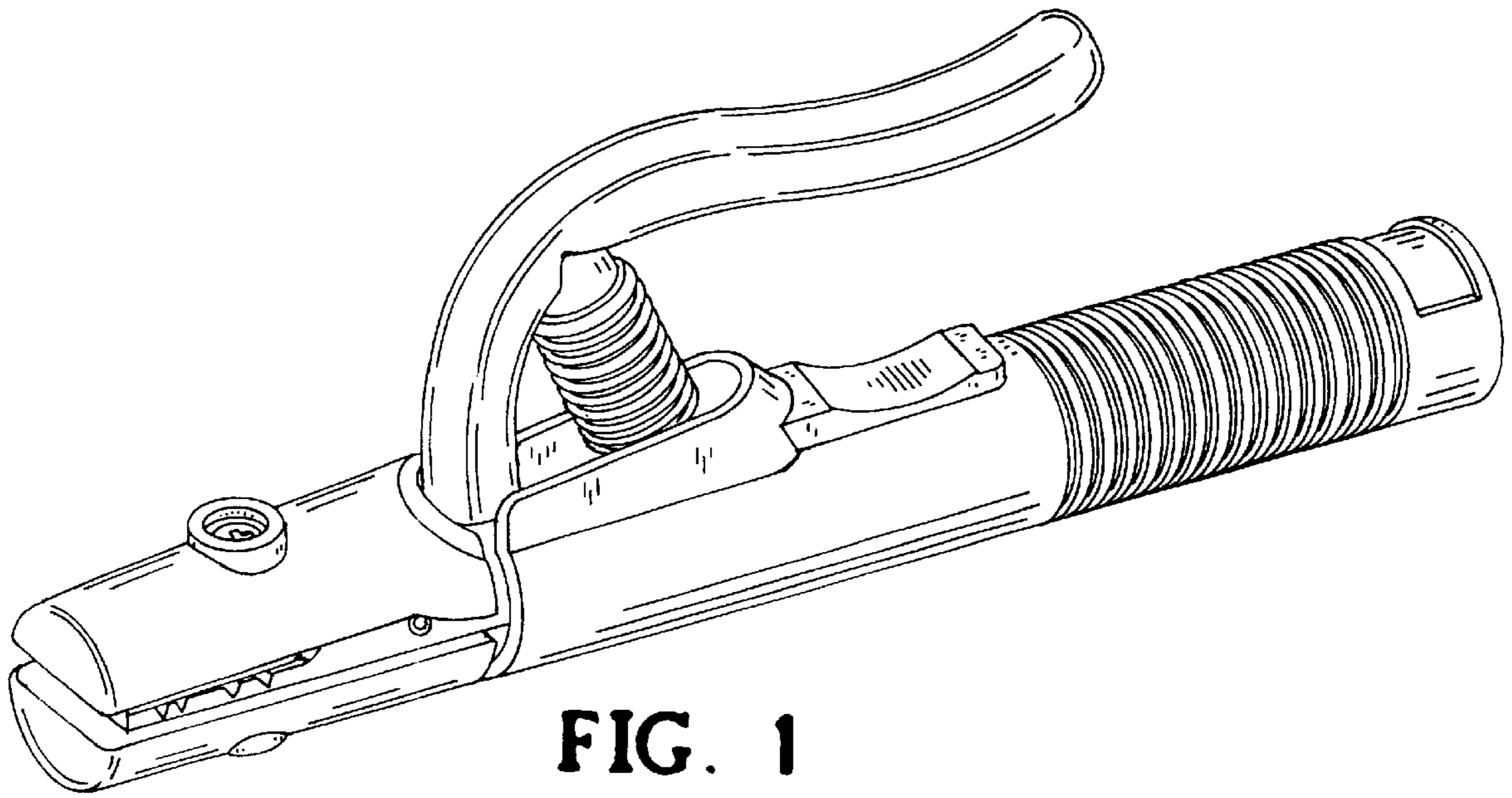


FIG. 1

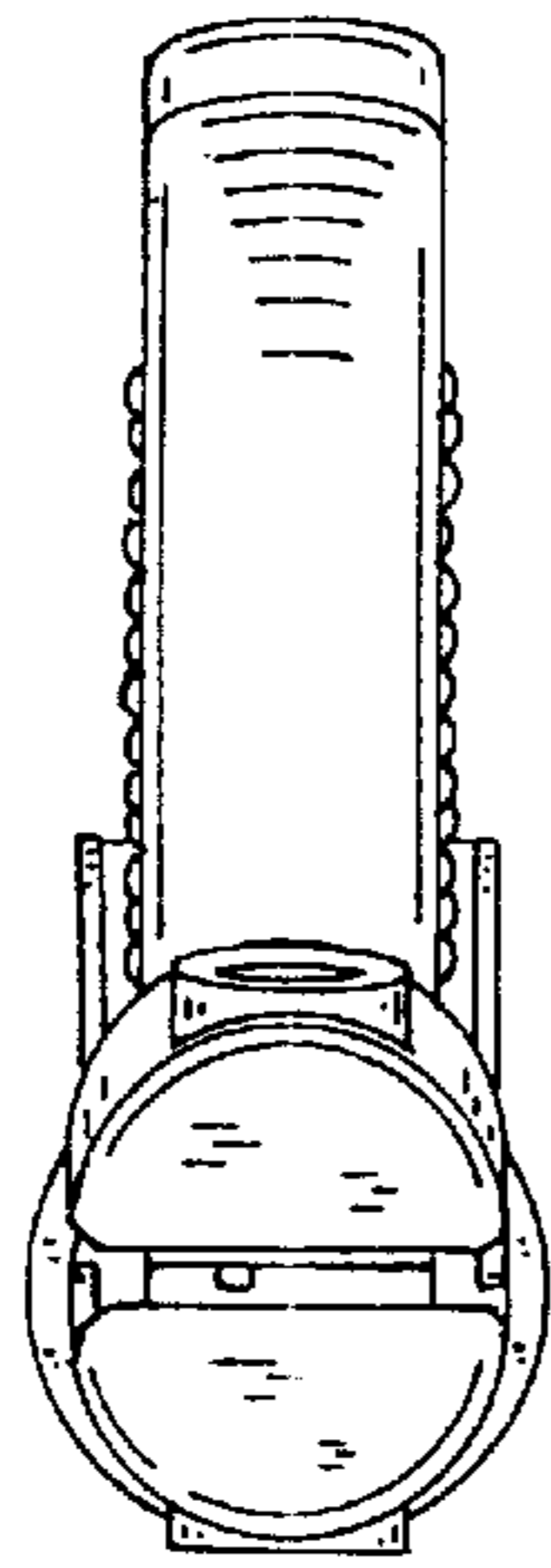


FIG. 2

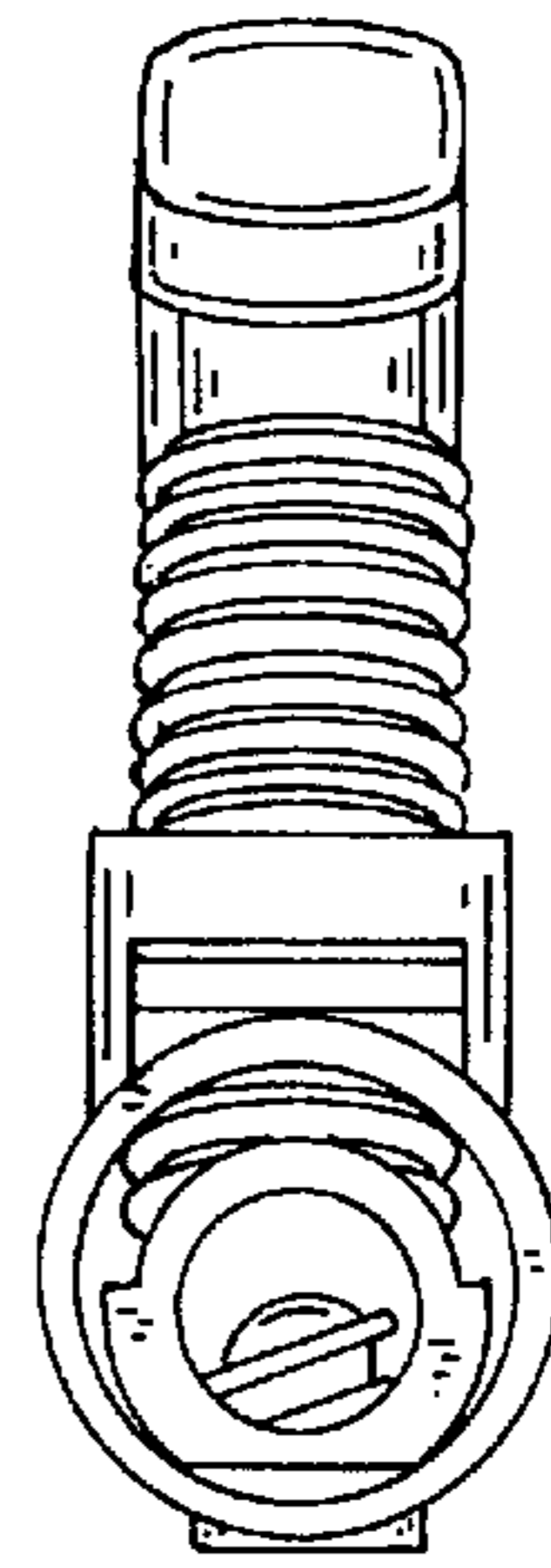
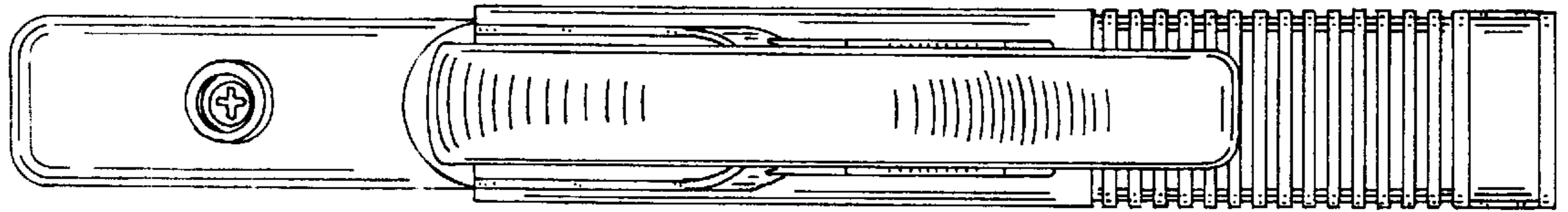
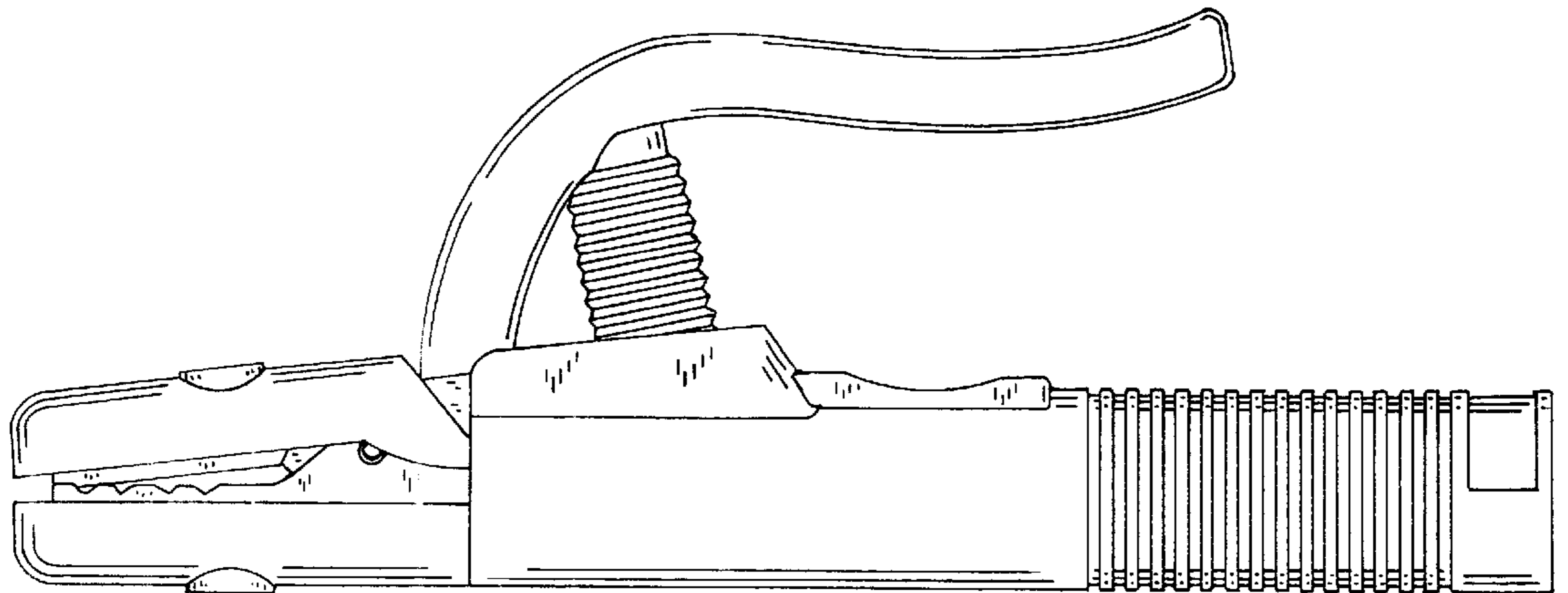


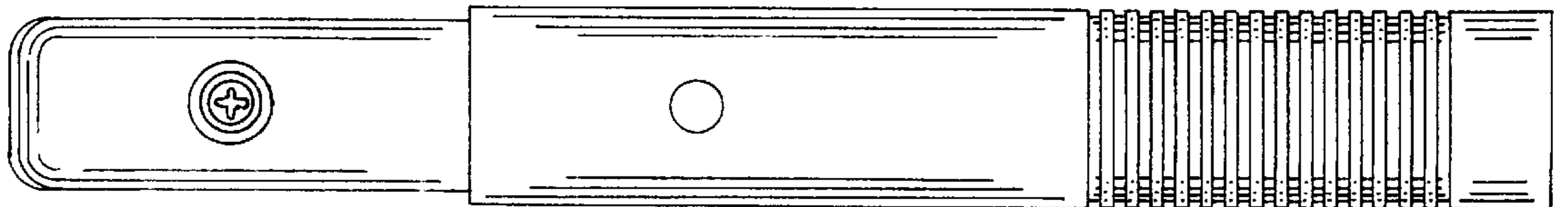
FIG. 3



**FIG. 4**



**FIG. 5**



**FIG. 6**

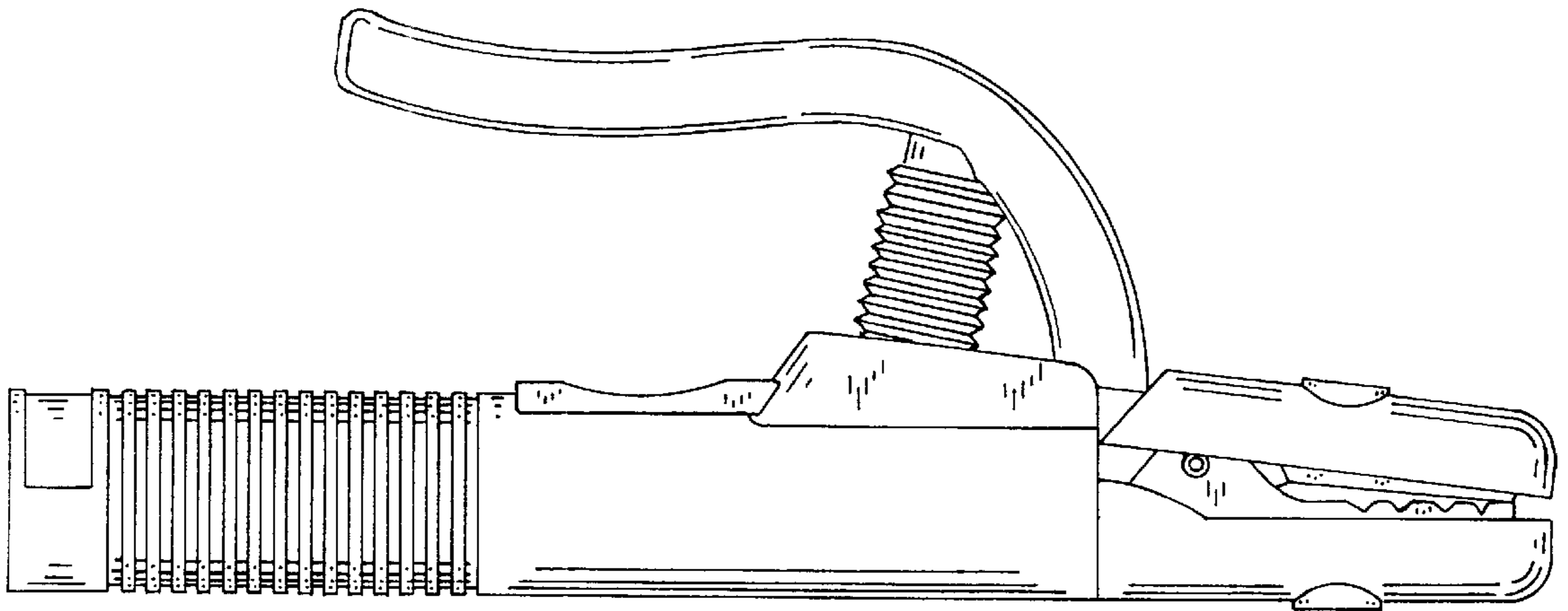


FIG. 7