



US00D422184S

United States Patent [19]
Kao

[11] **Patent Number: Des. 422,184**

[45] **Date of Patent: ** Apr. 4, 2000**

[54] **HAND JUICER**

D. 370,837 6/1996 Lee D7/666

[76] Inventor: **Yu-Sheng Kao**, No. 200, Hsi-Ho Road,
West District, Tainan, Taiwan

Primary Examiner—Terry A. Wallace
Attorney, Agent, or Firm—Alan Kamrath; Oppenheimer,
Wolff & Donnelly, LLP

[**] Term: **14 Years**

[57] **CLAIM**

[21] Appl. No.: **29/107,510**

The ornamental design for a hand juicer, as shown and described.

[22] Filed: **Jul. 7, 1999**

[51] **LOC (6) Cl.** **07-04**

[52] **U.S. Cl.** **D7/666**

[58] **Field of Search** D7/665, 666; 99/495,
99/501–506; 100/213

DESCRIPTION

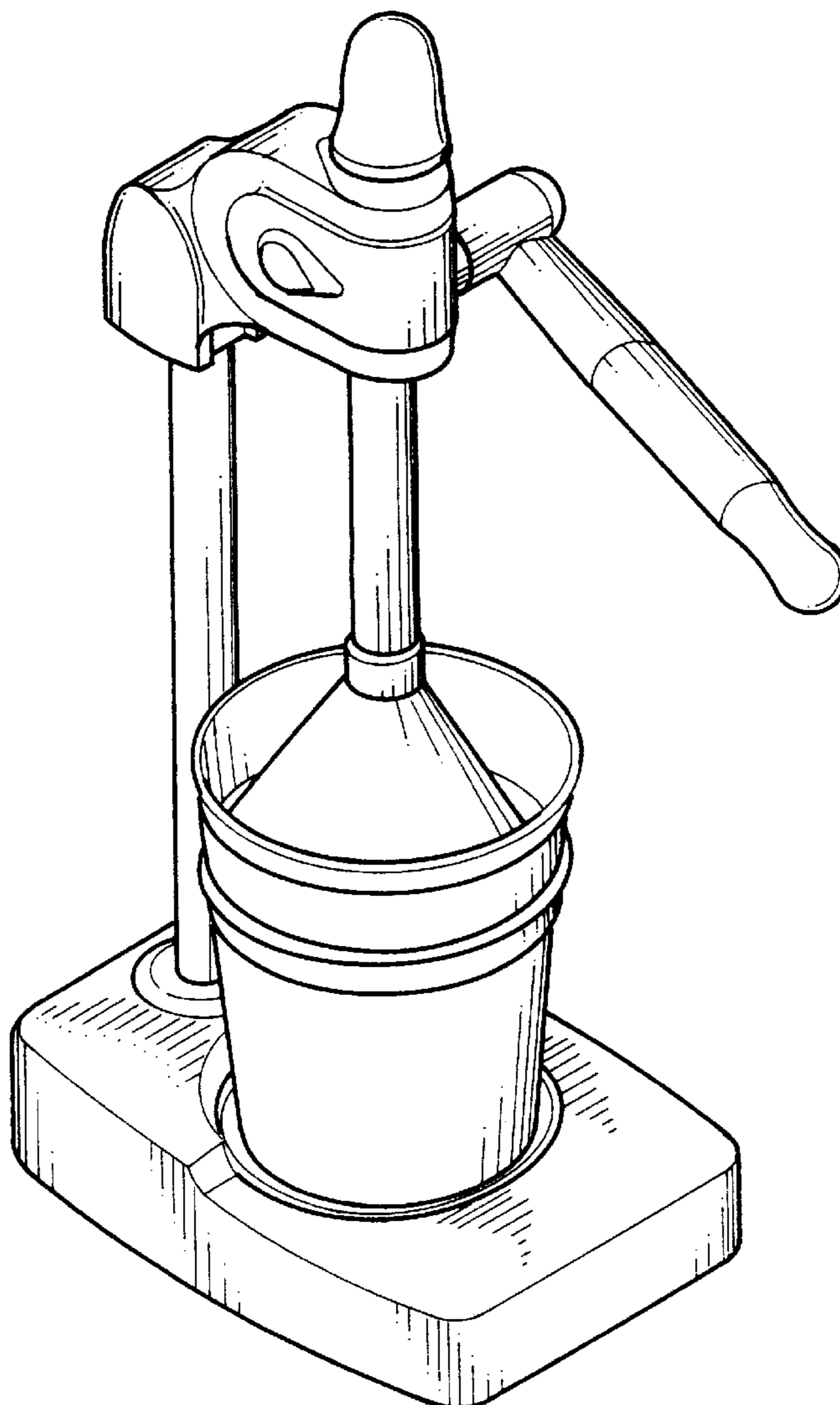
FIG. 1 is a perspective view of a hand juicer showing may design;
FIG. 2 is a left elevational view thereof;
FIG. 3 is a right elevational view thereof;
FIG. 4 is a front elevational view thereof;
FIG. 5 is a rear elevational view thereof;
FIG. 6 is a top plan view thereof; and,
FIG. 7 is a bottom plan view thereof.

[56] **References Cited**

U.S. PATENT DOCUMENTS

- D. 112,652 12/1938 Cecil D7/666
- D. 115,487 7/1939 Barnes et al. D7/666
- D. 144,481 4/1946 Casnov D7/666
- D. 304,140 10/1989 Li D7/666

1 Claim, 7 Drawing Sheets



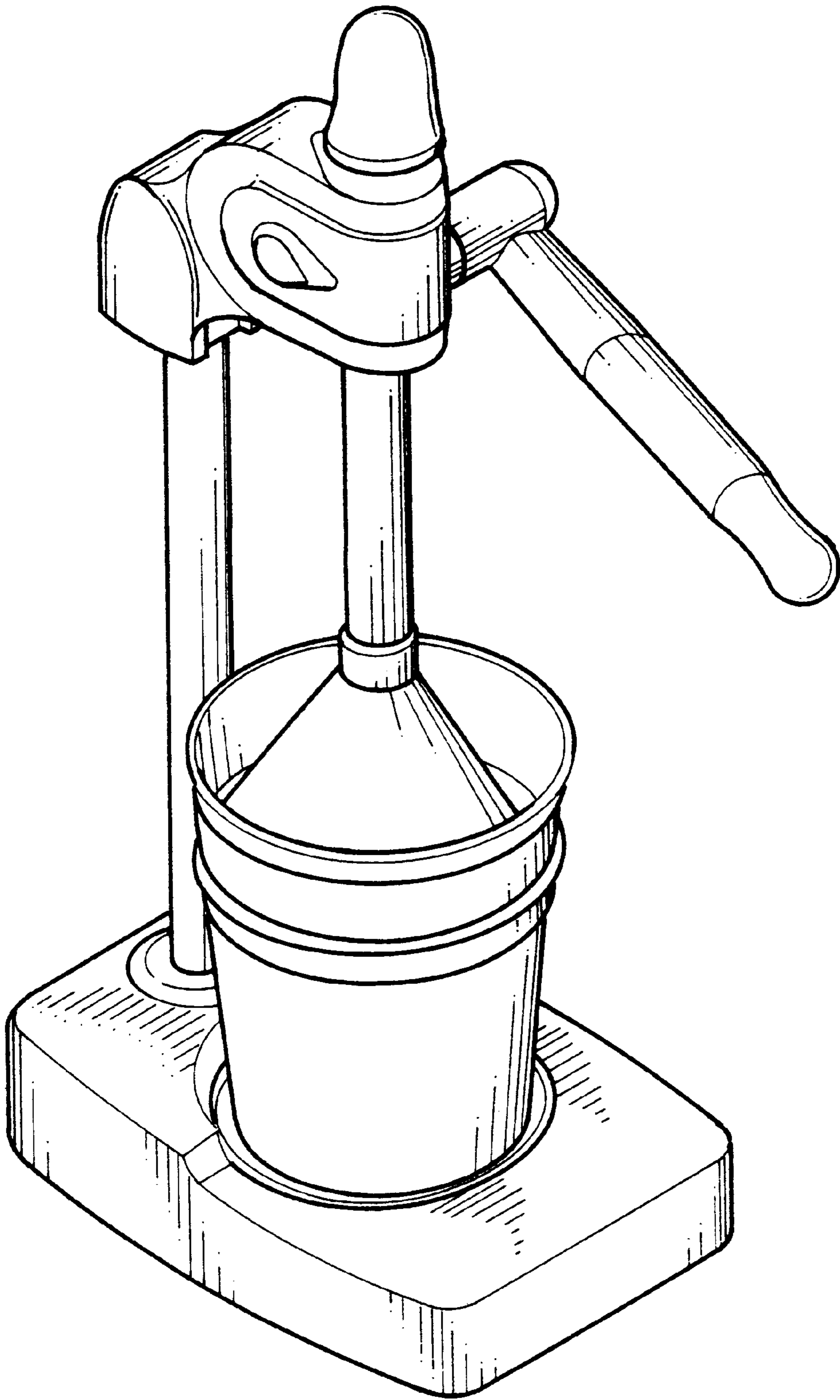


FIG.1

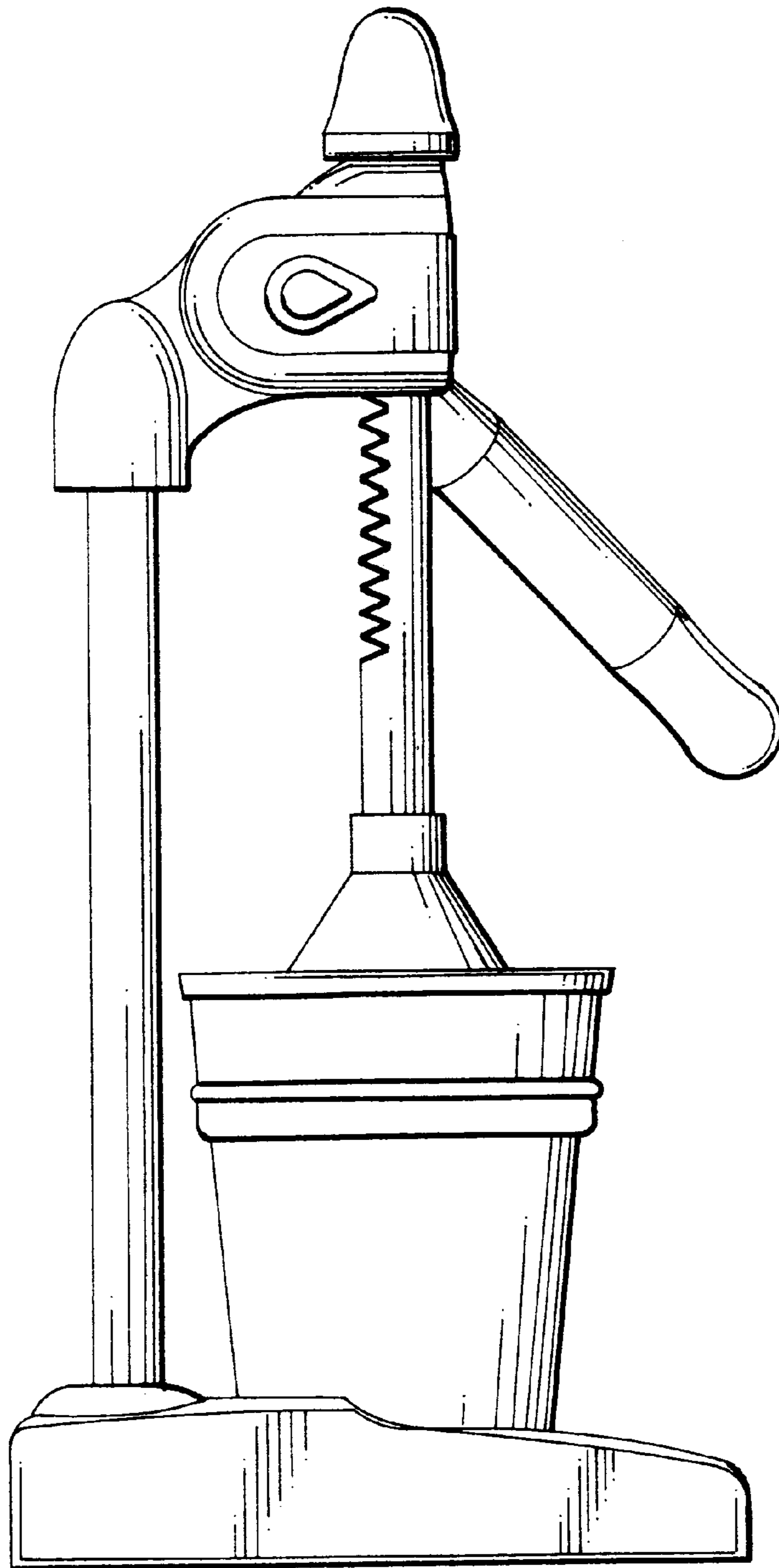


FIG.2

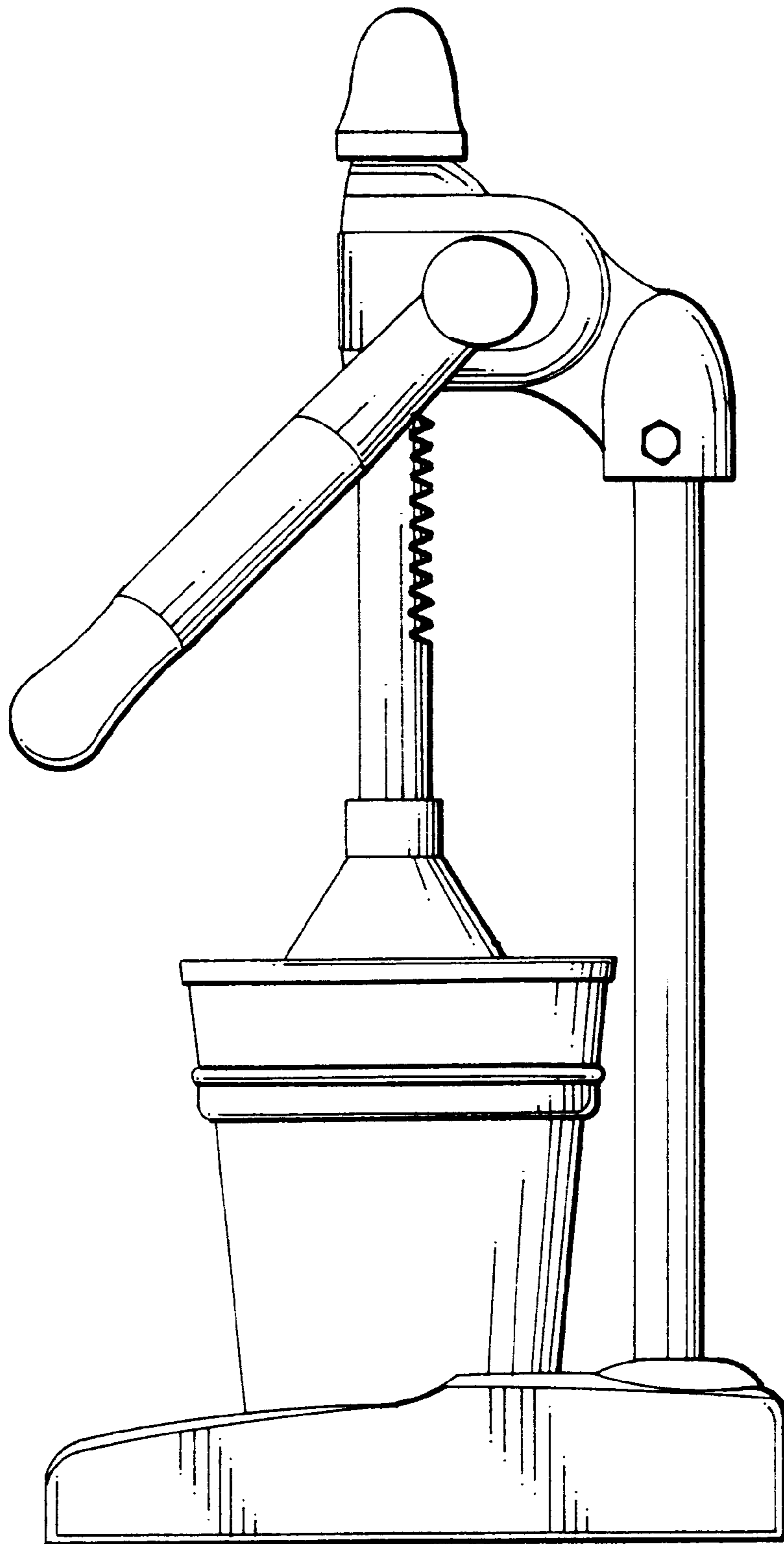


FIG.3

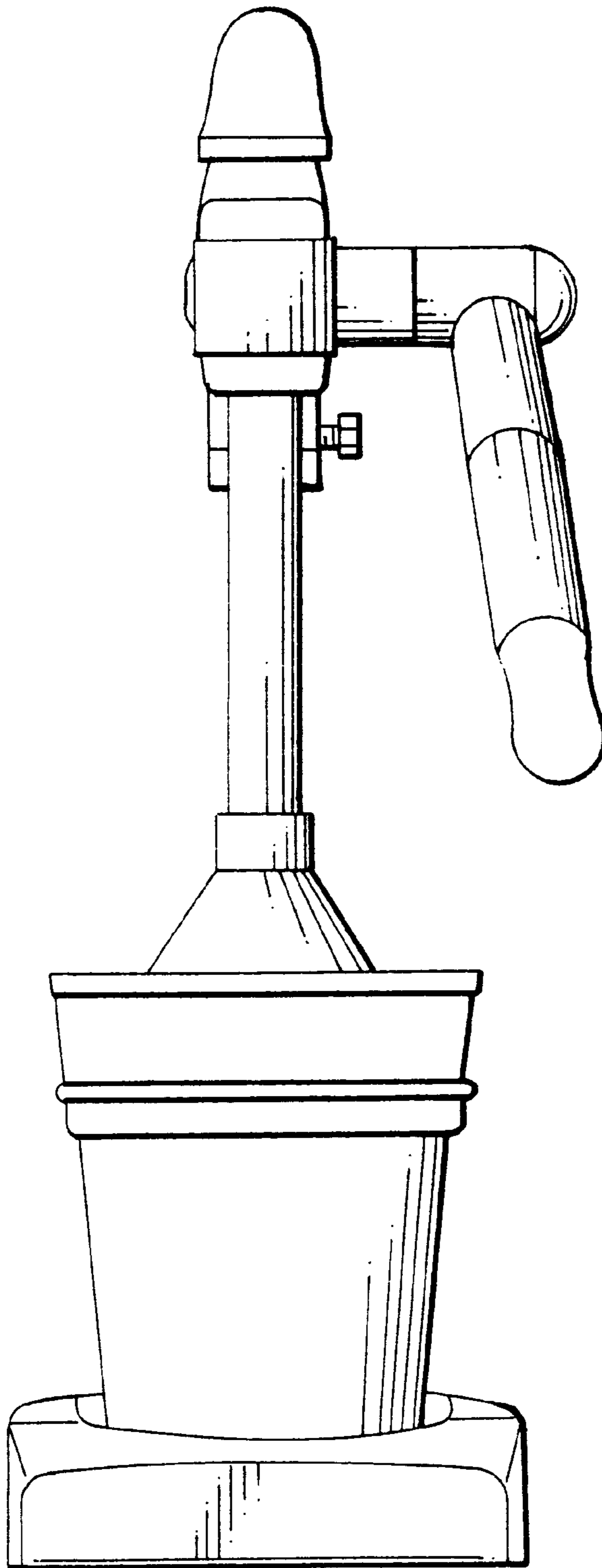


FIG.4

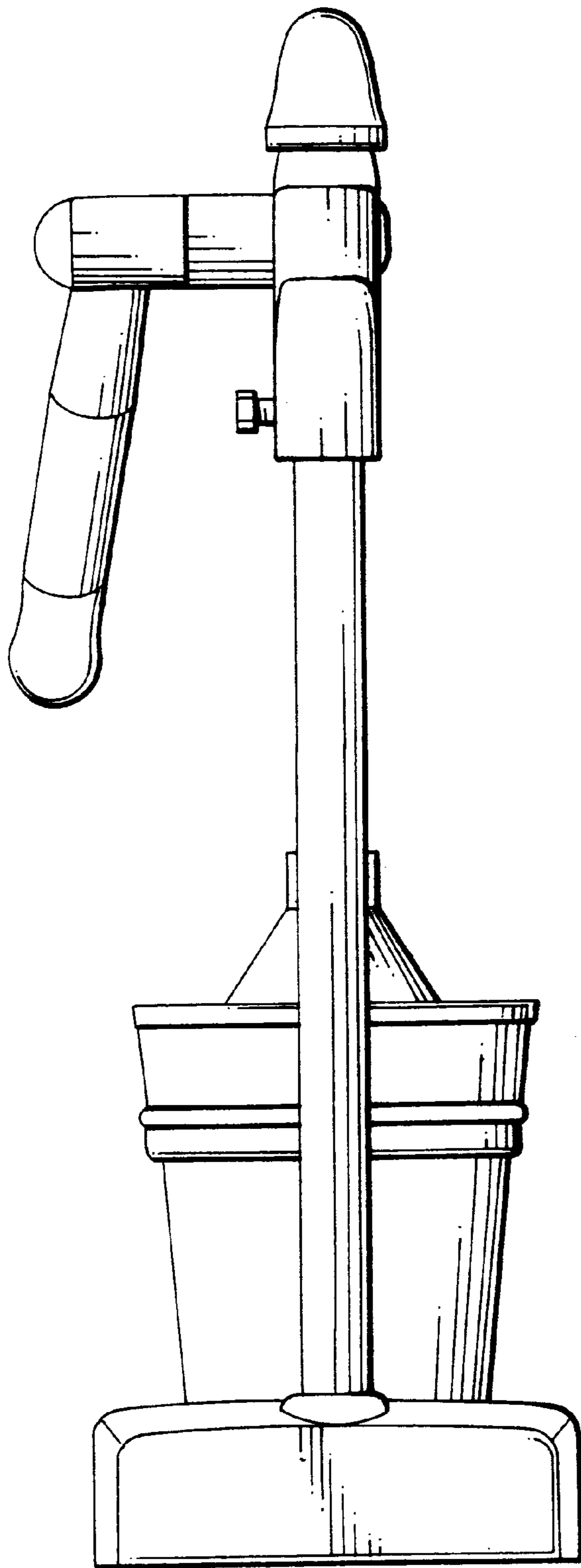


FIG.5

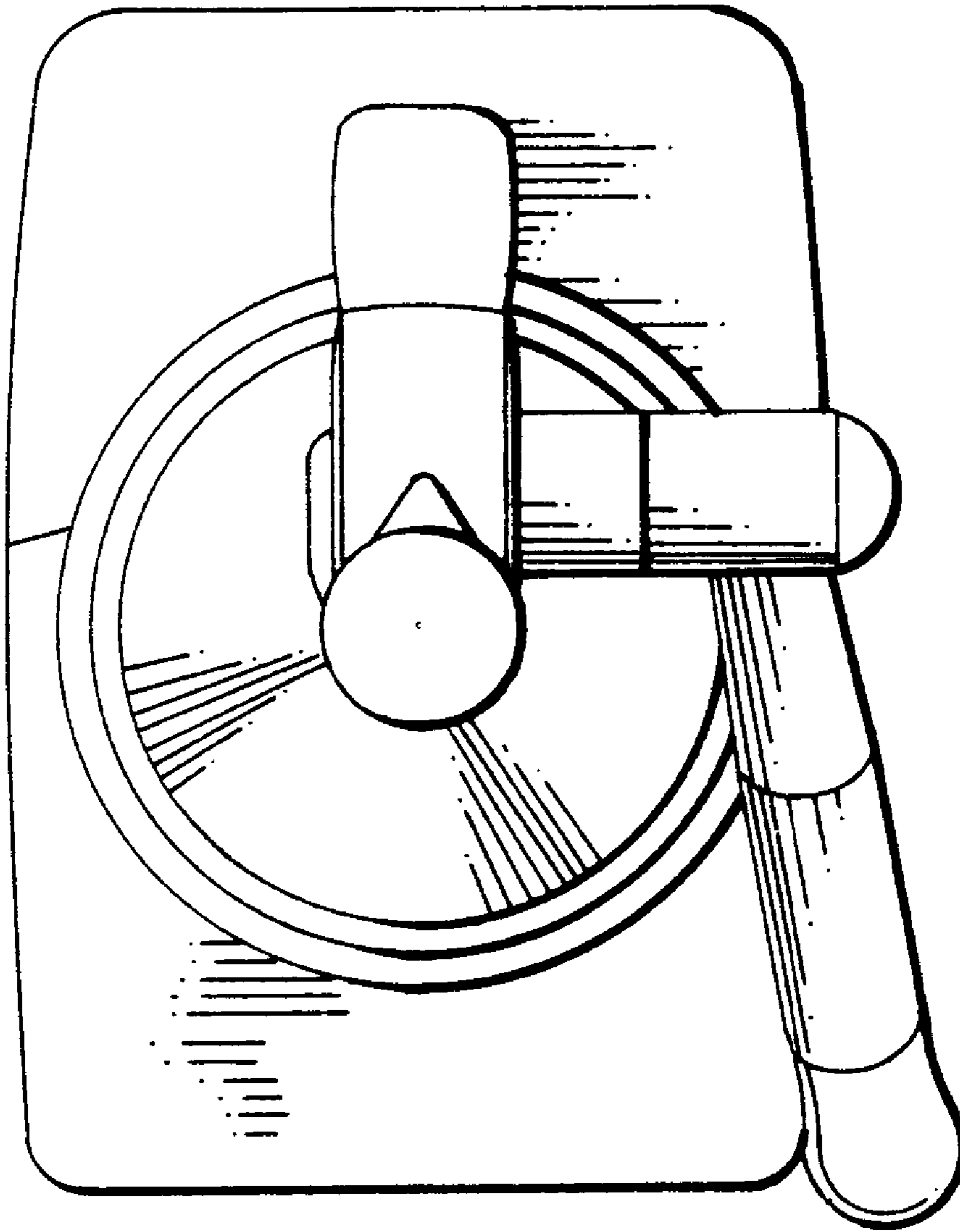


FIG. 6

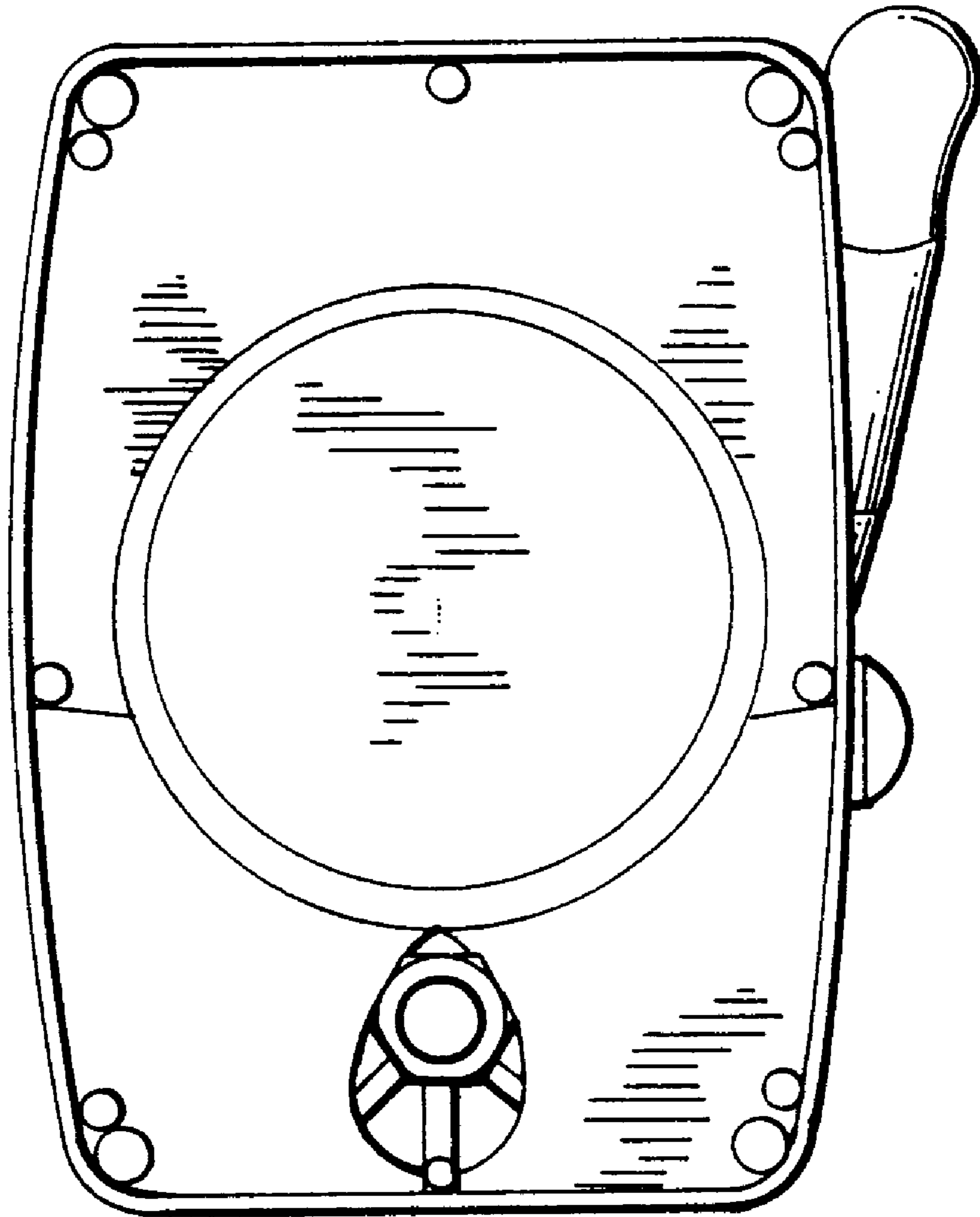


FIG. 7