



US00D422182S

United States Patent [19] Miljanich

[11] Patent Number: **Des. 422,182**

[45] Date of Patent: **** Apr. 4, 2000**

[54] **AUTO CONSOLE CUP ADAPTOR**

[76] Inventor: **Julie A. Miljanich**, 901 Ocean Ave., #104, Santa Monica, Calif. 90403

[**] Term: **14 Years**

[21] Appl. No.: **29/101,013**

[22] Filed: **Feb. 23, 1999**

[51] **LOC (6) Cl.** **07-06**

[52] **U.S. Cl.** **D7/619; D12/419**

[58] **Field of Search** D7/619-625; D12/415, D12/419; 211/74; 215/395; 220/737, 739, 903, 906; 248/311.2, 309.1; 224/148.1, 148.3, 148.4, 400, 539, 926

[56] **References Cited**

U.S. PATENT DOCUMENTS

2,167,731	8/1939	Swanstrom	281/1
4,071,174	1/1978	Weiner	224/29 M
4,877,164	10/1989	Baucom	224/42.44
4,938,401	7/1990	Weisbrodt et al.	224/275
4,989,742	2/1991	Powell	220/23.4
5,048,733	9/1991	Nagy	224/42.42
5,086,958	2/1992	Nagy	224/42.42

5,106,003	4/1992	Ma	224/42.42
5,143,337	9/1992	Tomayko, Jr. et al.	248/311.2
5,372,403	12/1994	Puerto	297/188.17
5,560,578	10/1996	Schenken et al.	248/313
5,669,538	9/1997	Ward	224/539
5,673,891	10/1997	Fujihara et al.	248/311.2

Primary Examiner—Terry A. Wallace
Attorney, Agent, or Firm—Cislo & Thomas LLP

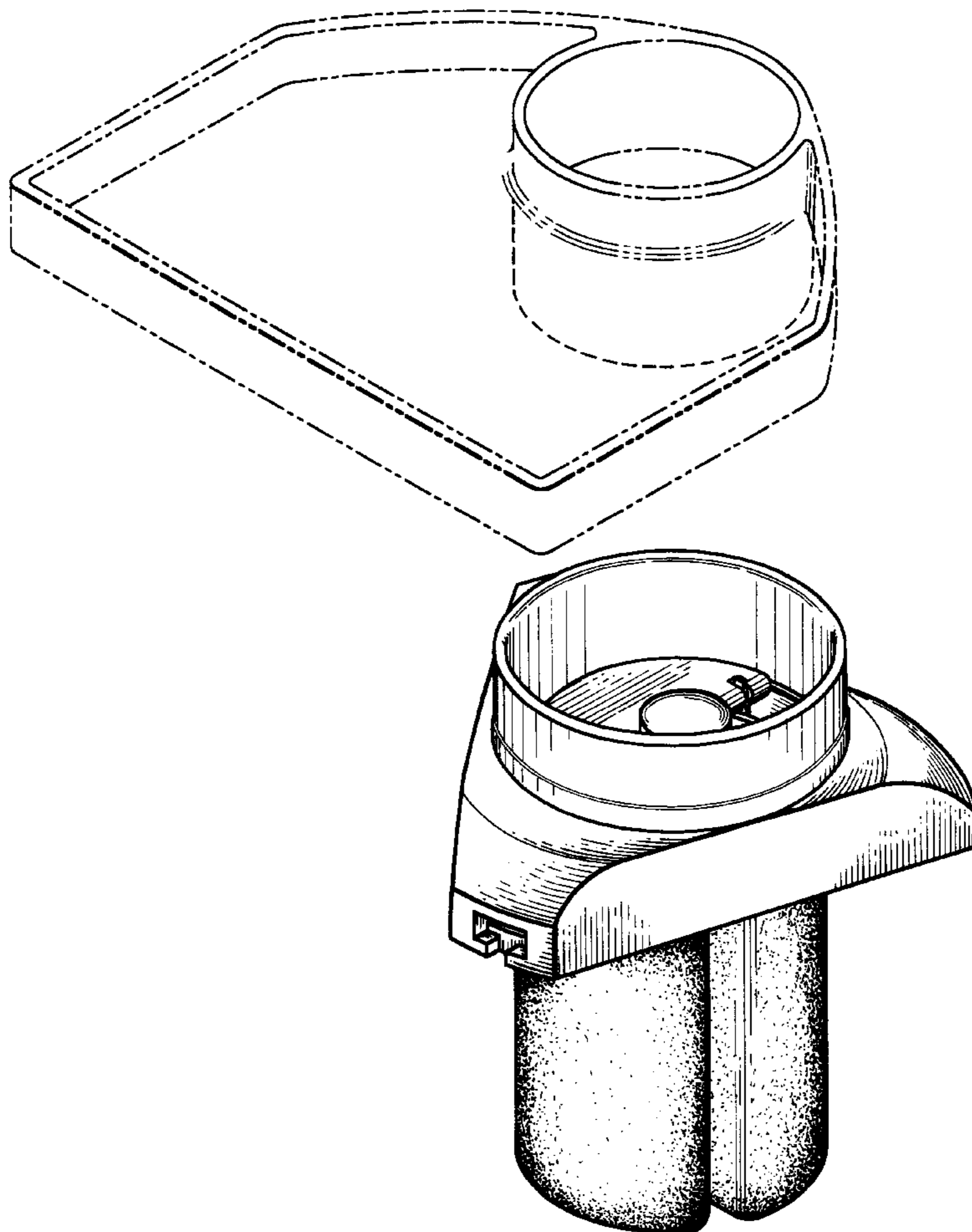
[57] **CLAIM**

The ornamental design for an auto console cup adaptor, as shown and described.

DESCRIPTION

FIG. 1 is a perspective view of my auto console cup adaptor with a mating tray, which is not part of the claimed design, being shown in broken line;
FIG. 2 is a top view of the auto console cup adaptor;
FIG. 3 is a front view thereof;
FIG. 4 is a right side elevational view thereof;
FIG. 5 is a bottom view thereof;
FIG. 6 is a back view thereof; and,
FIG. 7 is a left side elevational view thereof.

1 Claim, 2 Drawing Sheets



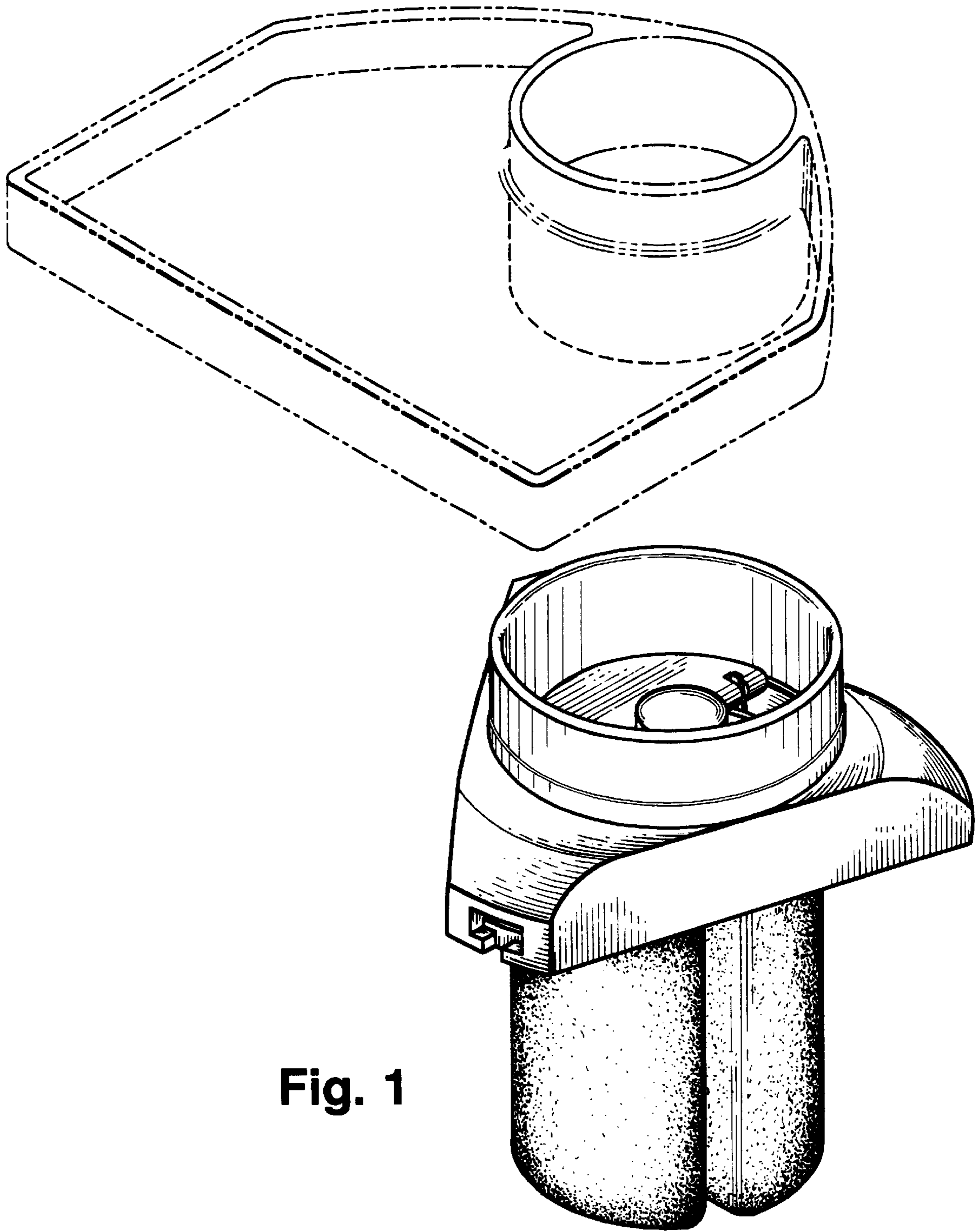


Fig. 1

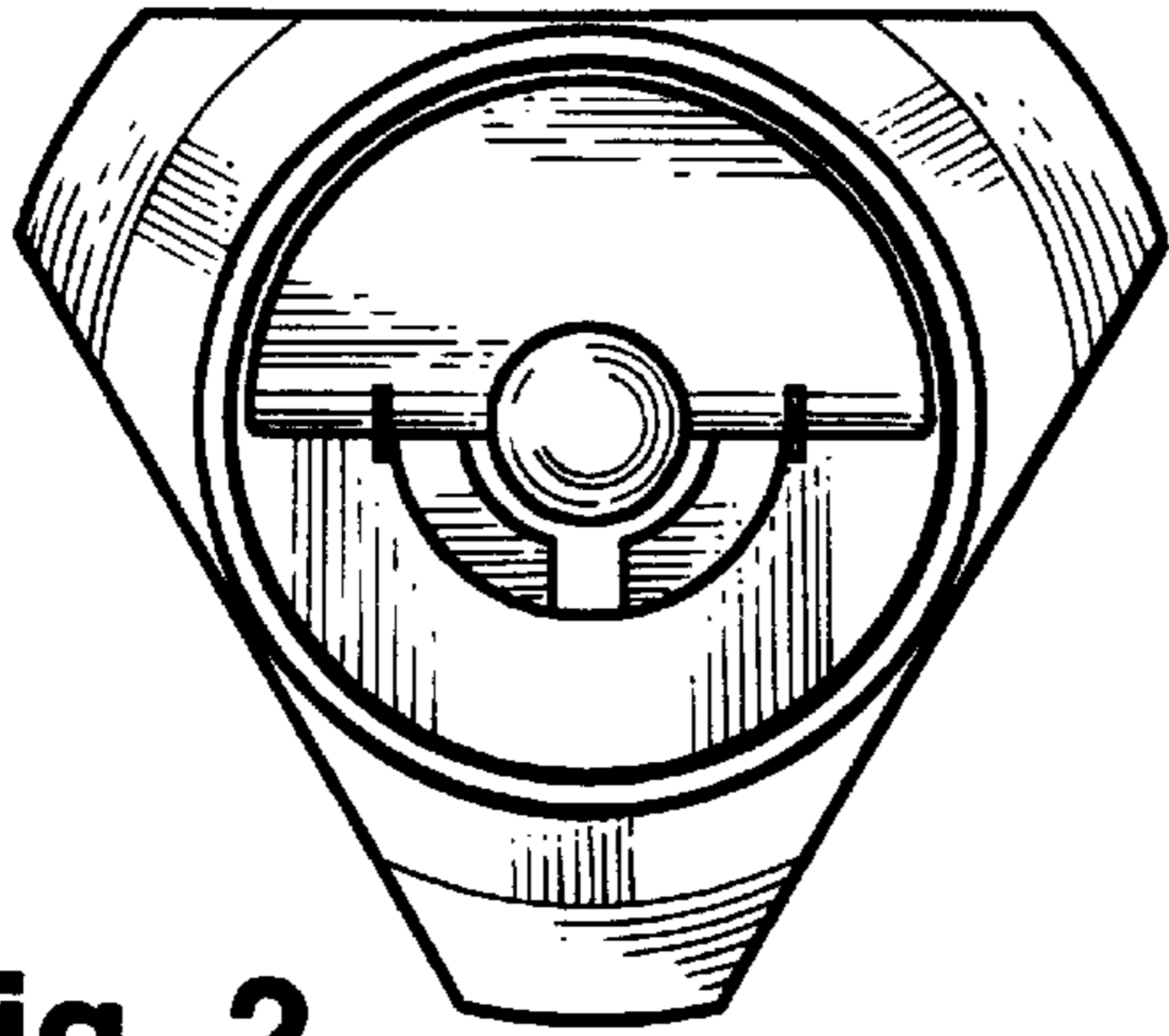


Fig. 2

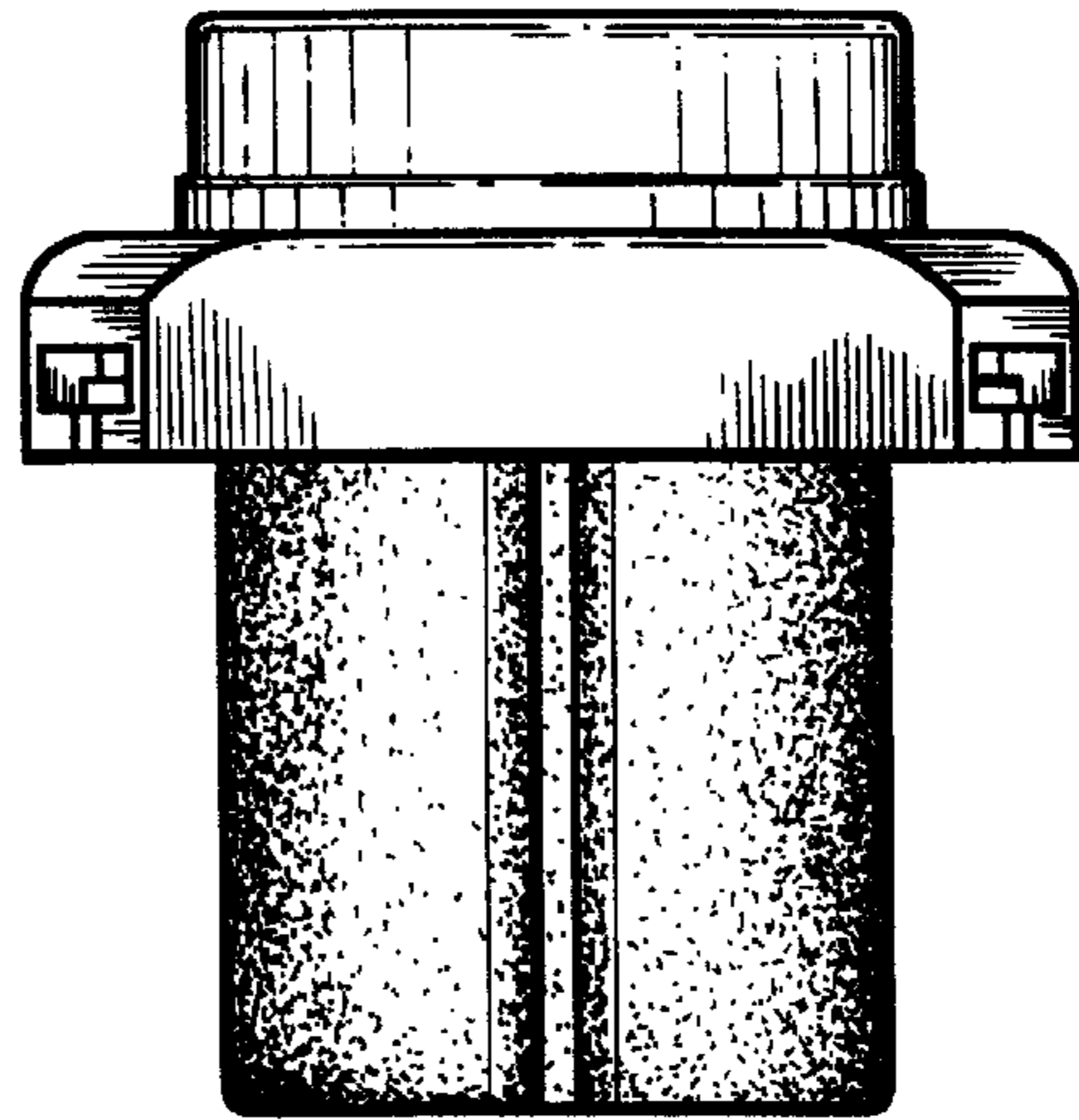


Fig. 3

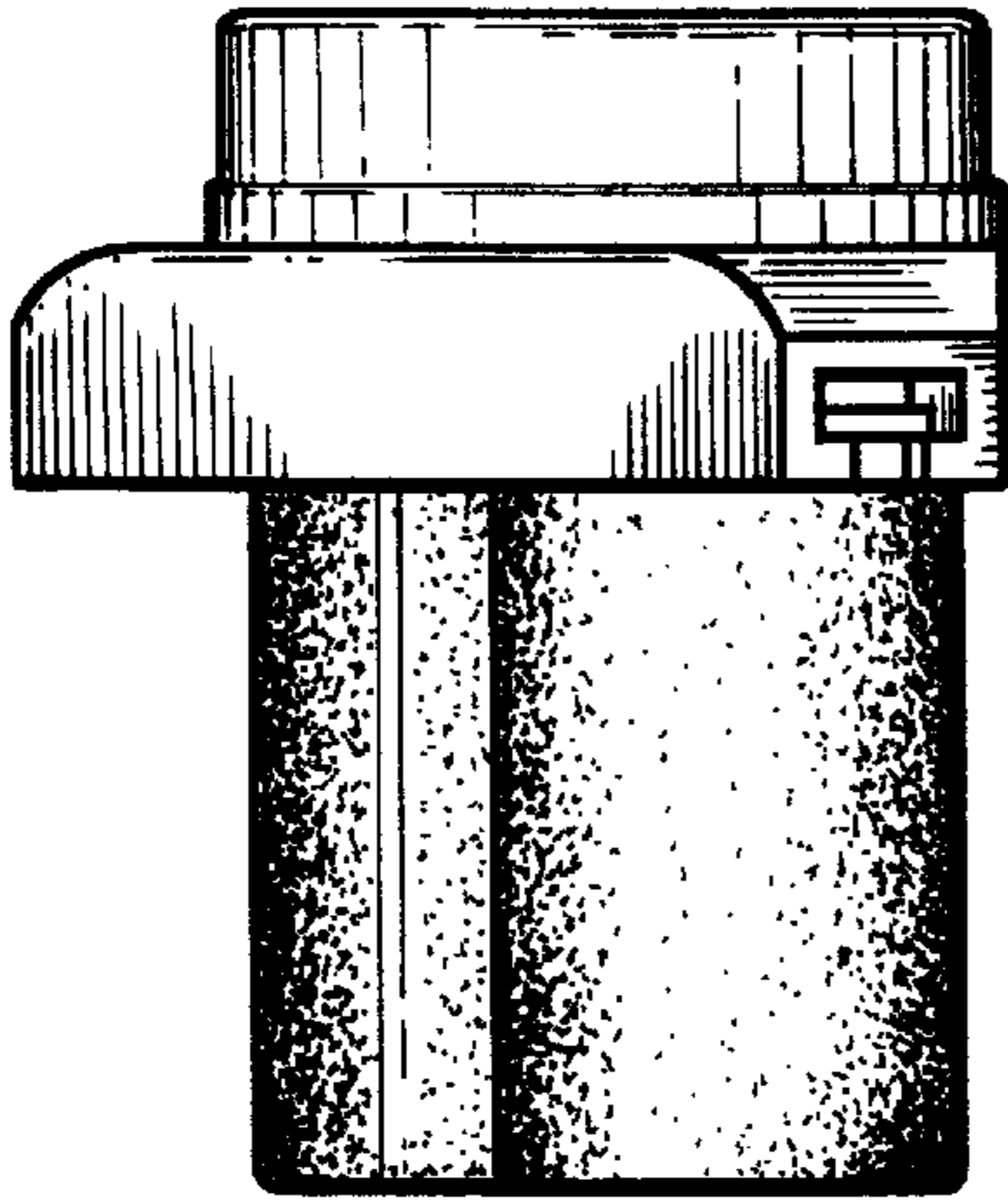


Fig. 4

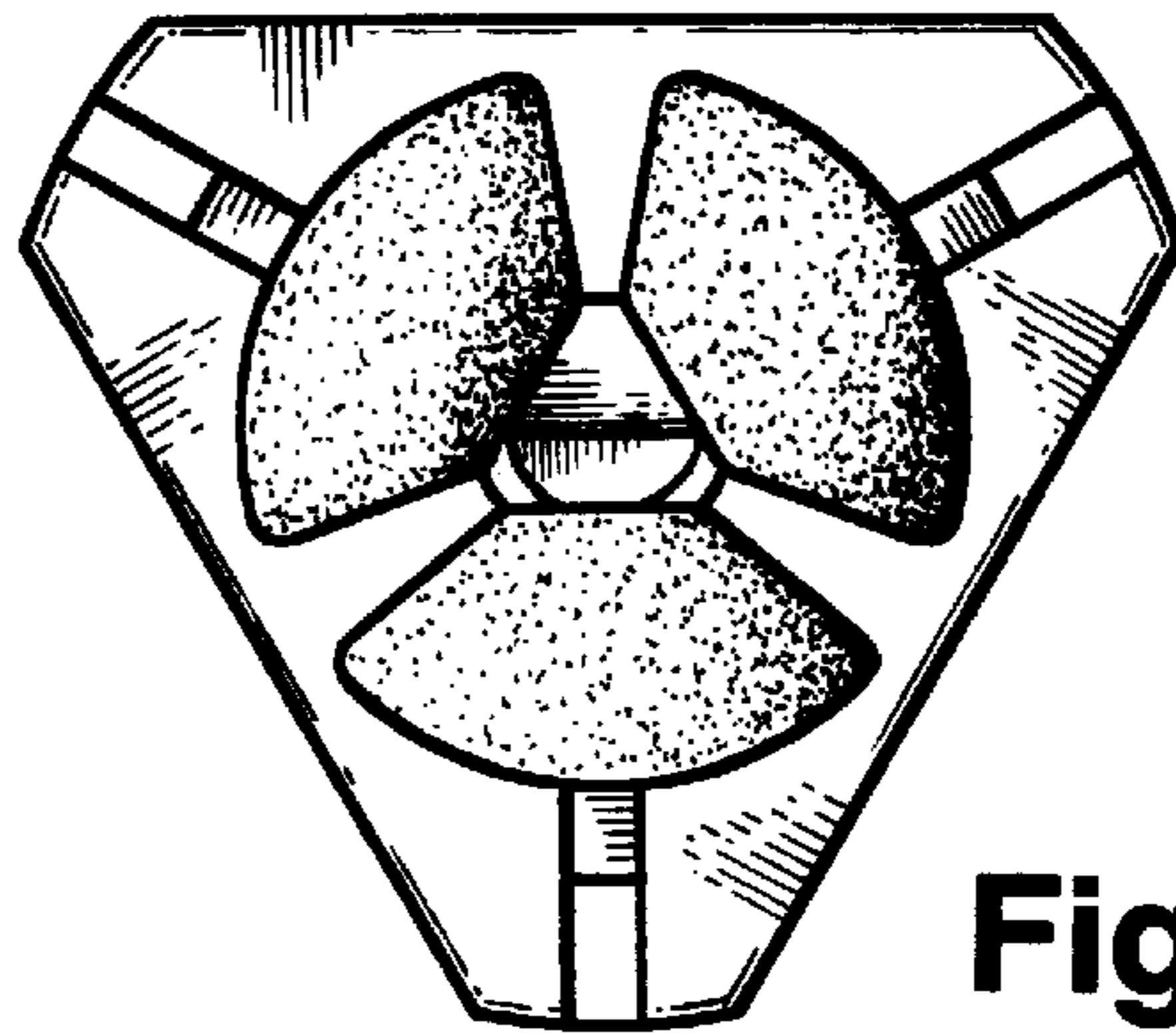


Fig. 5

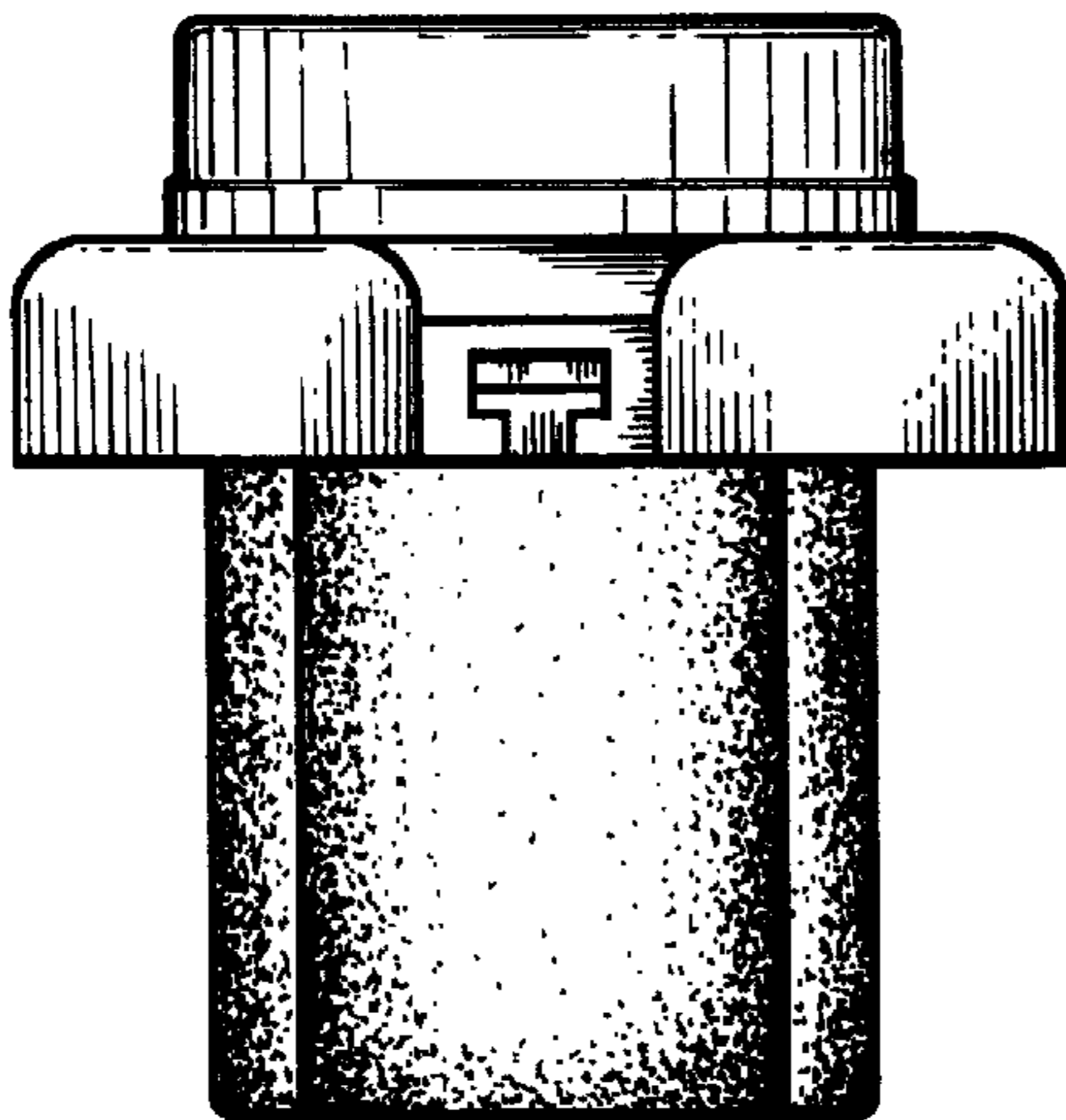


Fig. 6

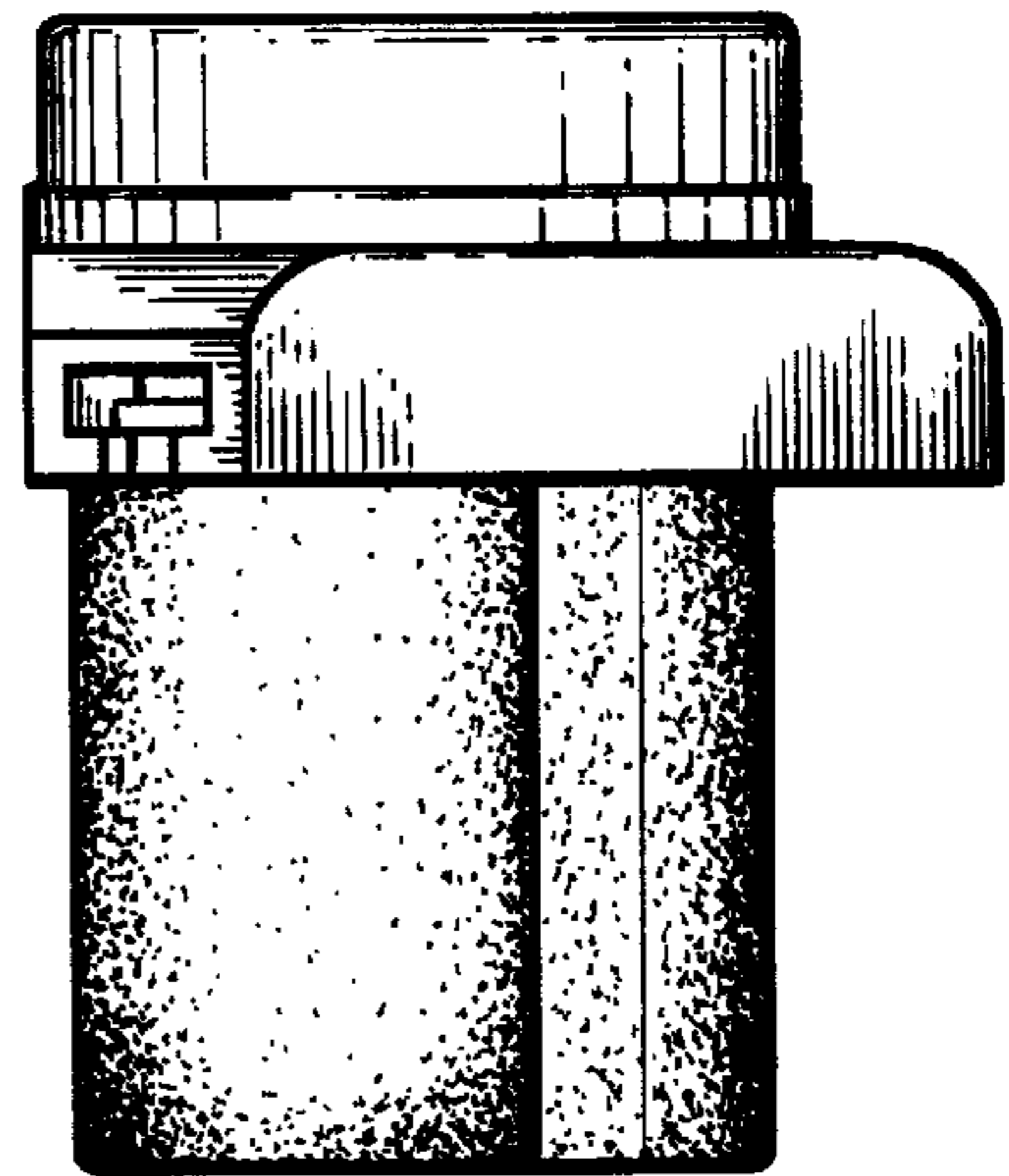


Fig. 7