



US00D422177S

United States Patent [19]
Brady

[11] **Patent Number: Des. 422,177**

[45] **Date of Patent: ** Apr. 4, 2000**

[54] **HANDLE**

[75] Inventor: **Martin Brady**, Chesterfield, Va.

[73] Assignee: **Hamilton Beach/Proctor-Silex, Inc.**,
Glen Allen, Va.

[**] Term: **14 Years**

[21] Appl. No.: **29/098,897**

[22] Filed: **Jan. 8, 1999**

[51] **LOC (6) Cl.** **07-02**

[52] **U.S. Cl.** **D7/394**

[58] **Field of Search** D7/354-361, 393,
D7/394; 16/110 R, 110 A, 114 R, 114 A,
121, DIG. 2; 220/573.1, 573.2, 752, 753

[56] **References Cited**

U.S. PATENT DOCUMENTS

D. 230,935	3/1974	Lloveras	D7/362 X
D. 256,759	9/1980	Johnson	D7/358
D. 344,430	2/1994	Raoult	D7/394
D. 367,584	3/1996	Koch	D7/394
D. 382,767	8/1997	Lien	D7/360
2,785,277	3/1957	Jepson	219/442

OTHER PUBLICATIONS

Front and rear cover and p. 9 of Chef's Catalog Holiday 1996.

Front and rear cover and pp. 190-191 of Best General Merchandise Catalog 1990/1991.

Front and rear cover and p. 234 and 255 of Service Merchandise "96/97 Jewelry, Gift, and Home Catalog".

See Information Disclosure Statement regarding offer for sale less than one year before filing date.

Primary Examiner—Caron D. Veynar
Attorney, Agent, or Firm—Roger S. Dybvig

[57] **CLAIM**

The ornamental design for handle, as shown and described.

DESCRIPTION

FIG. 1 is a perspective view as seen from the top, front, and left side of a handle showing my new design;

FIG. 2 is a perspective view of the handle in an upside-down position and seen from the bottom, front, and right side thereof;

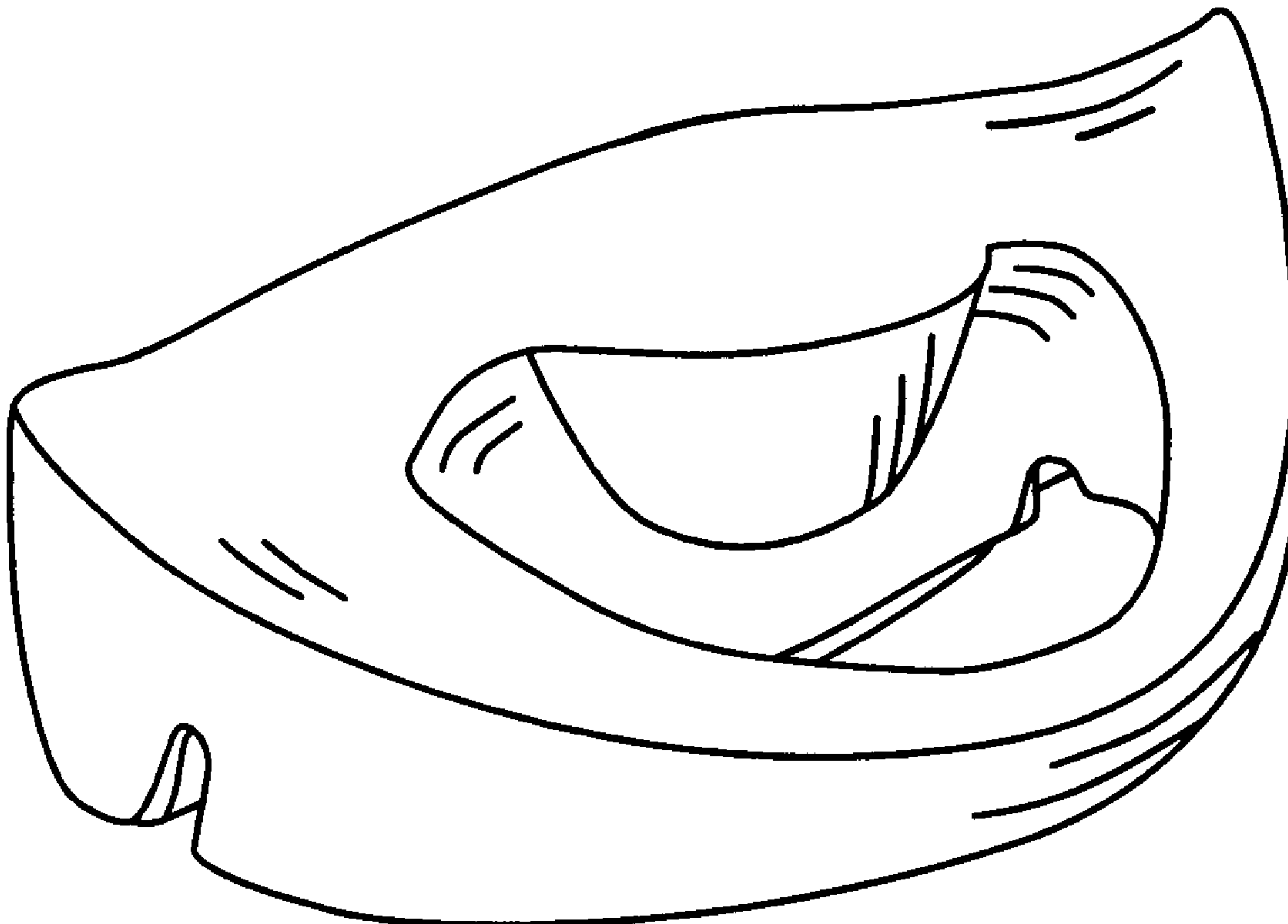
FIG. 3 is a front elevational view thereof;

FIG. 4 is a right side elevational view thereof, the left side elevational view being a mirror image of the right side elevational view;

FIG. 5 is a top plan view thereof; and,

FIG. 6 is a bottom plan view thereof.

1 Claim, 1 Drawing Sheet



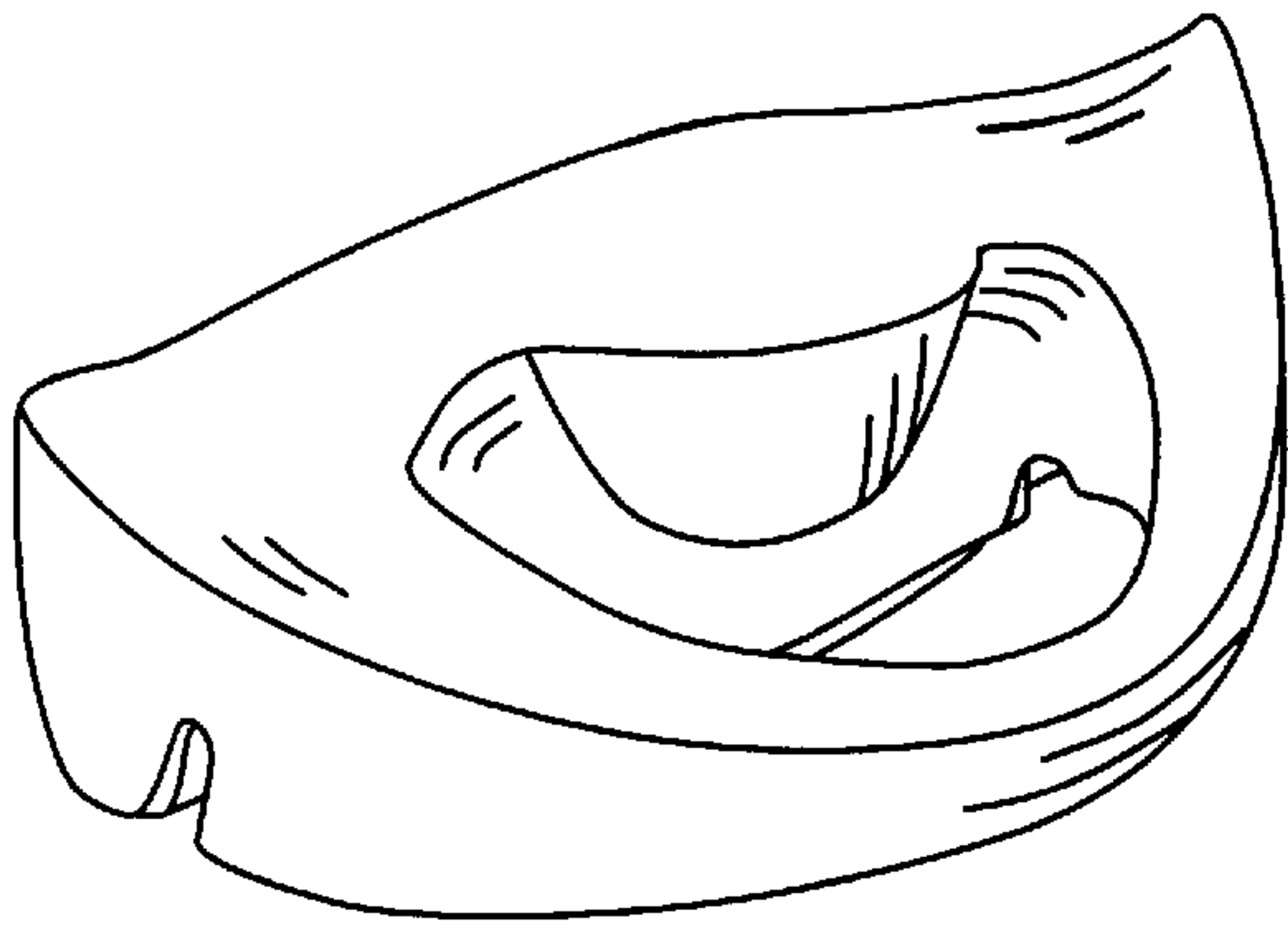


FIG. 1

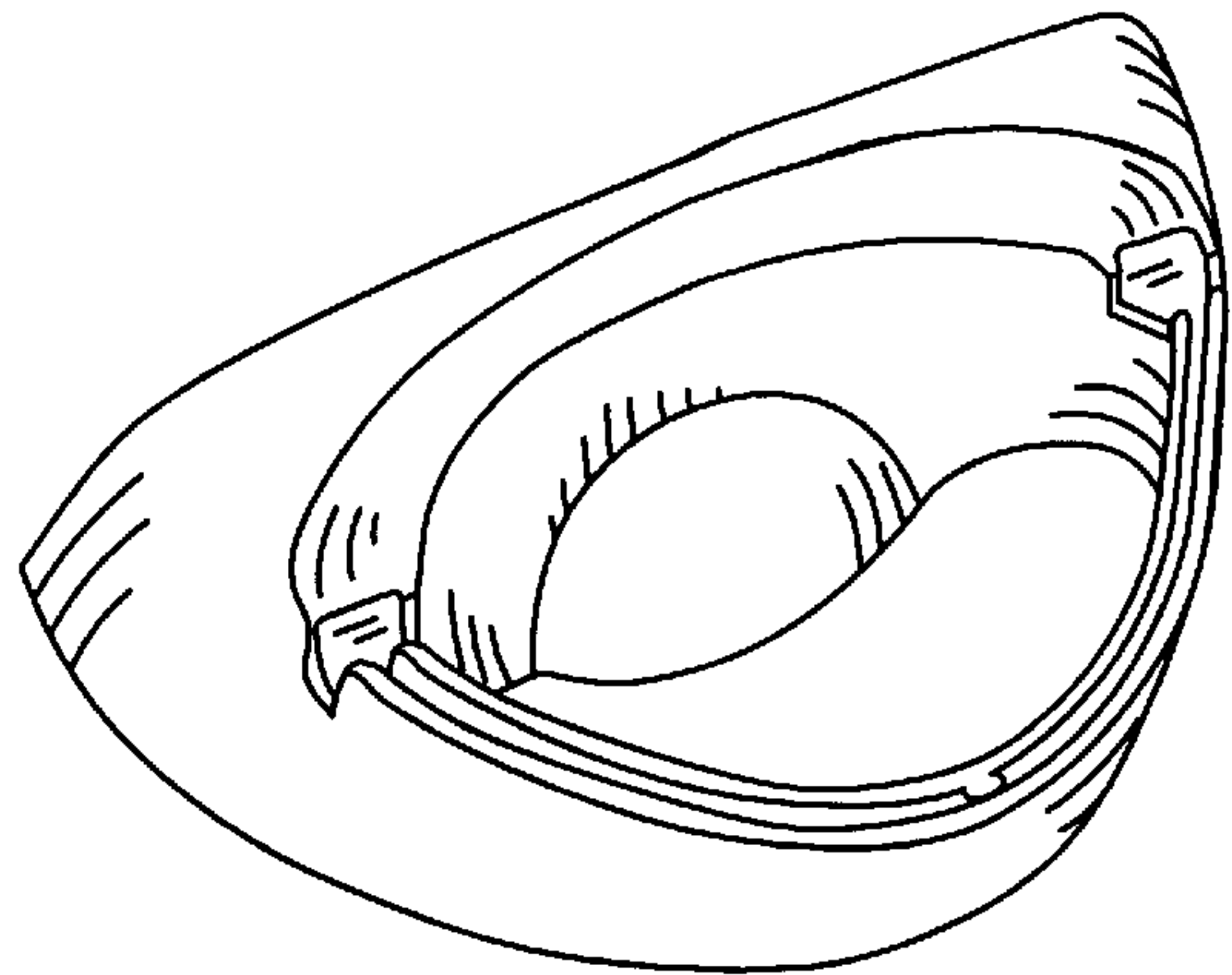


FIG. 2

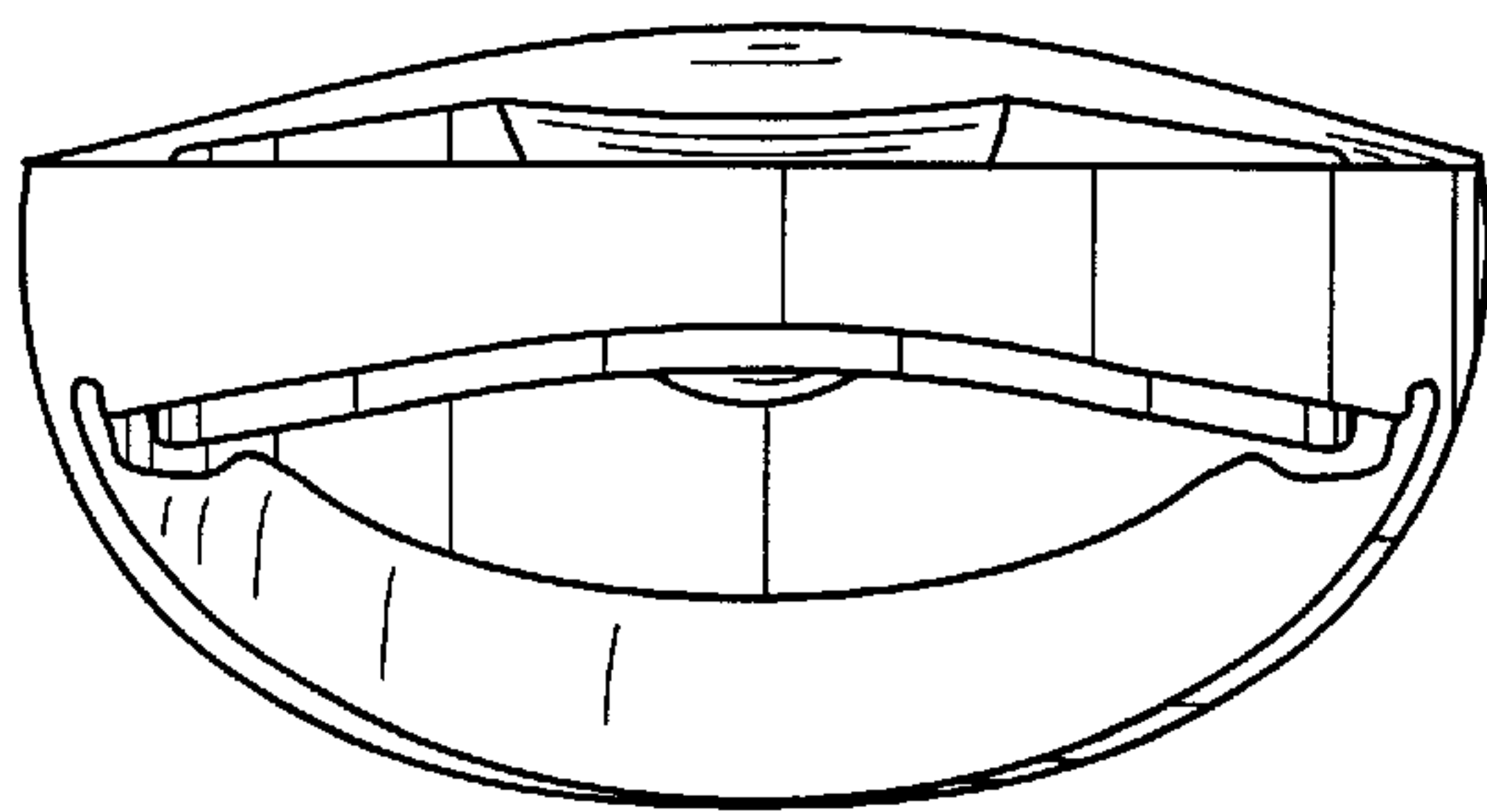


FIG. 3

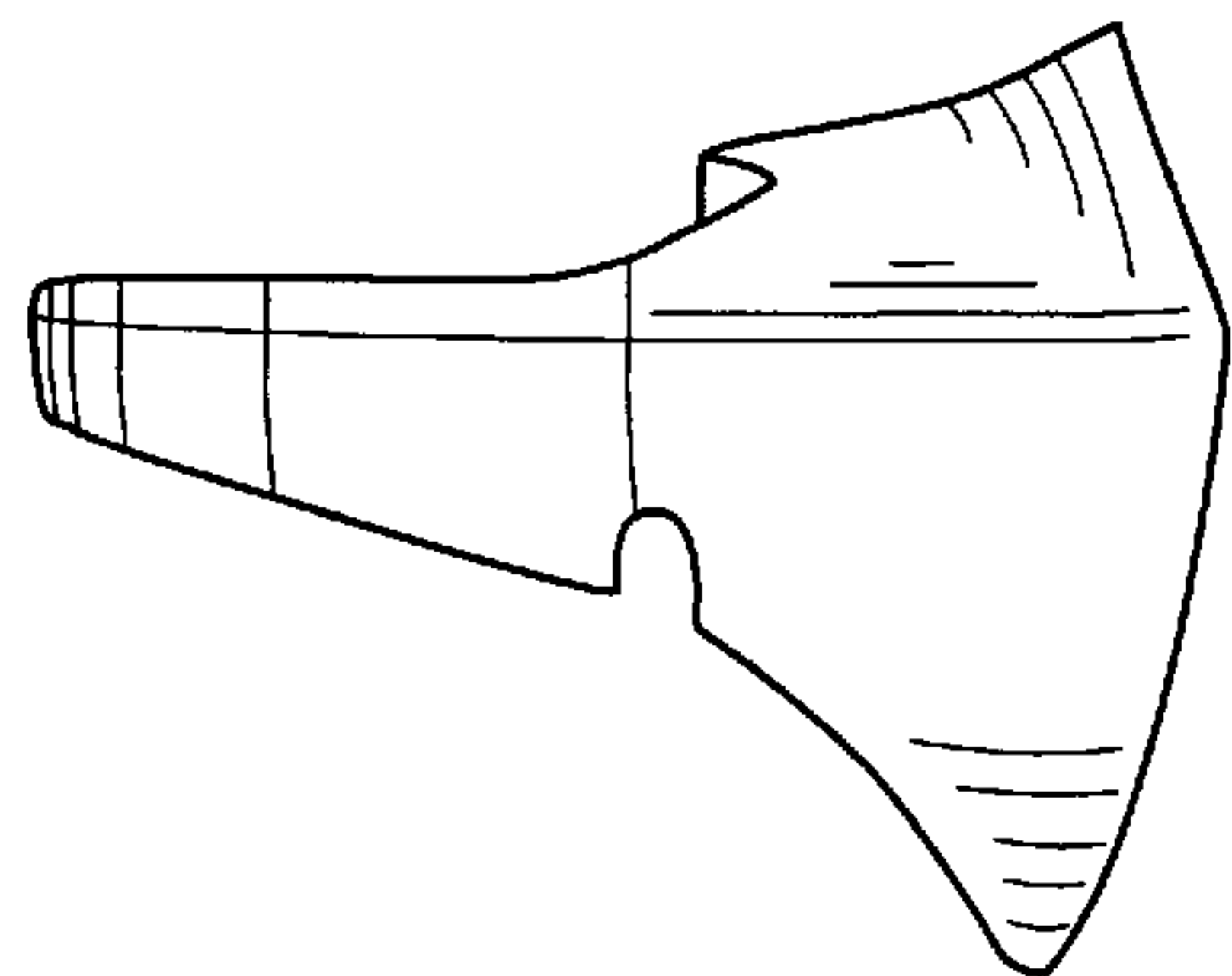


FIG. 4

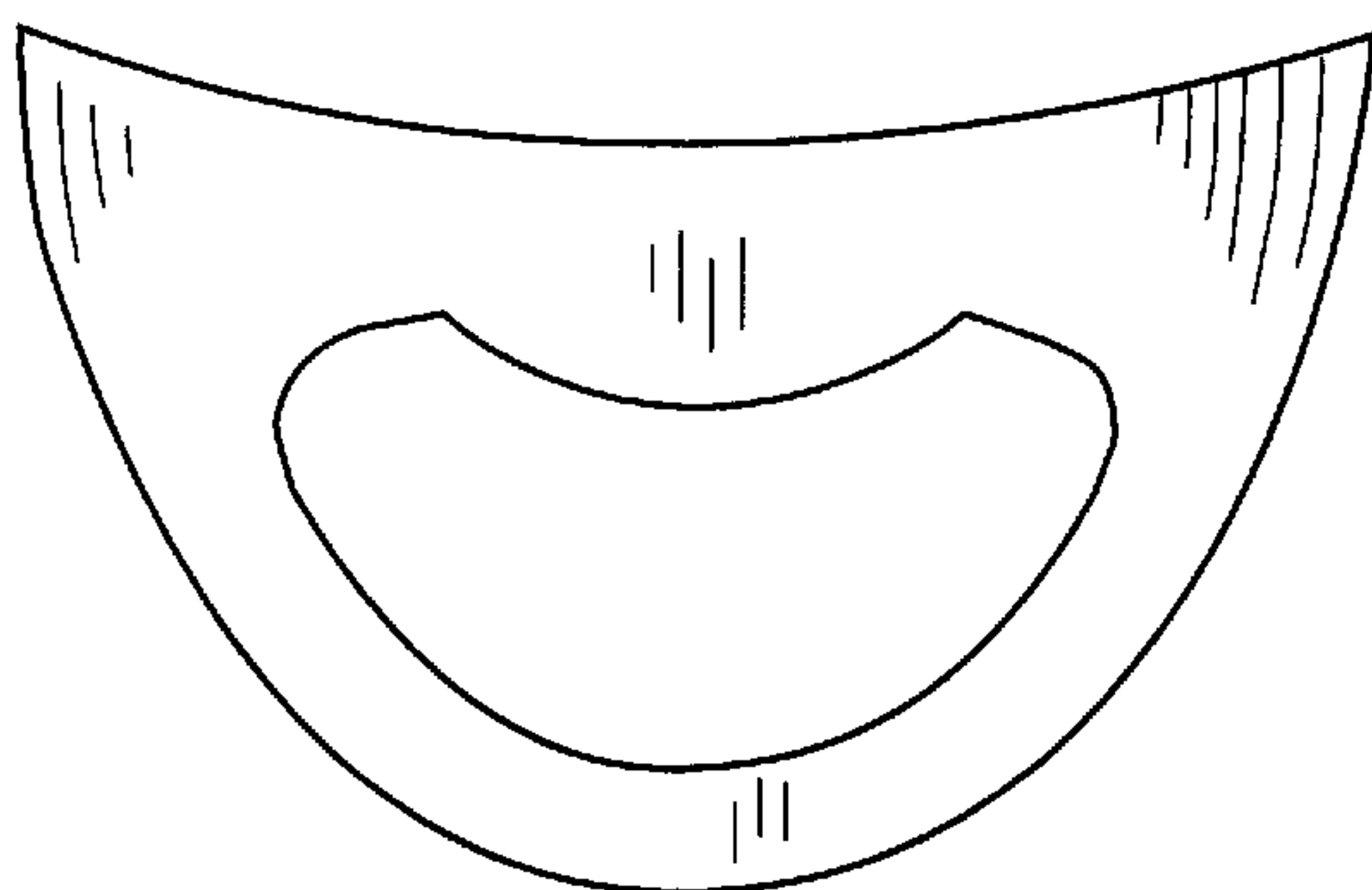


FIG. 5

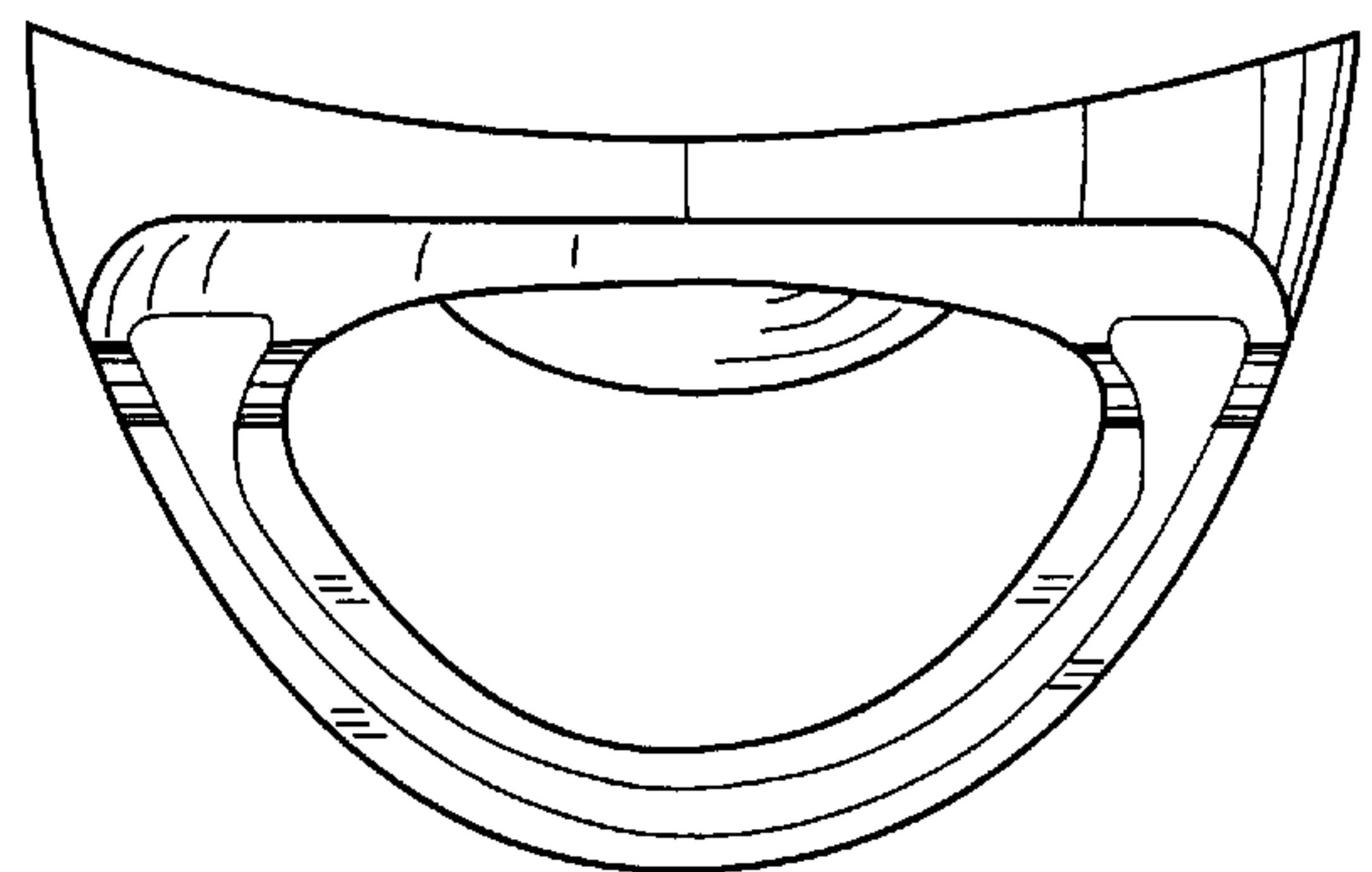


FIG. 6