



US00D422174S

United States Patent [19] Eklind

[11] Patent Number: **Des. 422,174**

[45] Date of Patent: **** Apr. 4, 2000**

[54] **BASE PLATE FOR USE IN A BEVERAGE DISPENSING APPARATUS**

[75] Inventor: **Evert Eklind**, Mariestadt, Sweden

[73] Assignee: **Jede AB**, Mariestad, Sweden

[**] Term: **14 Years**

[21] Appl. No.: **29/104,235**

[22] Filed: **Apr. 30, 1999**

[30] **Foreign Application Priority Data**

Nov. 4, 1998 [DK] Denmark MA 1998 1164

[51] **LOC (6) Cl.** **07-99**

[52] **U.S. Cl.** **D7/388; D7/397**

[58] **Field of Search** D7/300, 306, 313,
D7/387, 388, 396.6, 397, 403, 404, 409;
222/1, 173, 209, 183, 185.1

[56] **References Cited**

U.S. PATENT DOCUMENTS

D. 195,475 6/1963 Swett D7/388

D. 213,329 2/1969 Boster D7/397
D. 221,793 9/1971 DePuy D7/403 X
D. 265,790 8/1982 Taylor D7/388
D. 356,008 3/1995 Reiger et al. D7/388 X
3,430,817 3/1969 Falkenberg 222/173
4,834,250 5/1989 Dumbeck et al. D7/306 X

Primary Examiner—M. N. Pandozzi
Attorney, Agent, or Firm—Davis and Bujold

[57] **CLAIM**

I claim the ornamental design for a base plate for use in a beverage dispensing apparatus, as shown and described.

DESCRIPTION

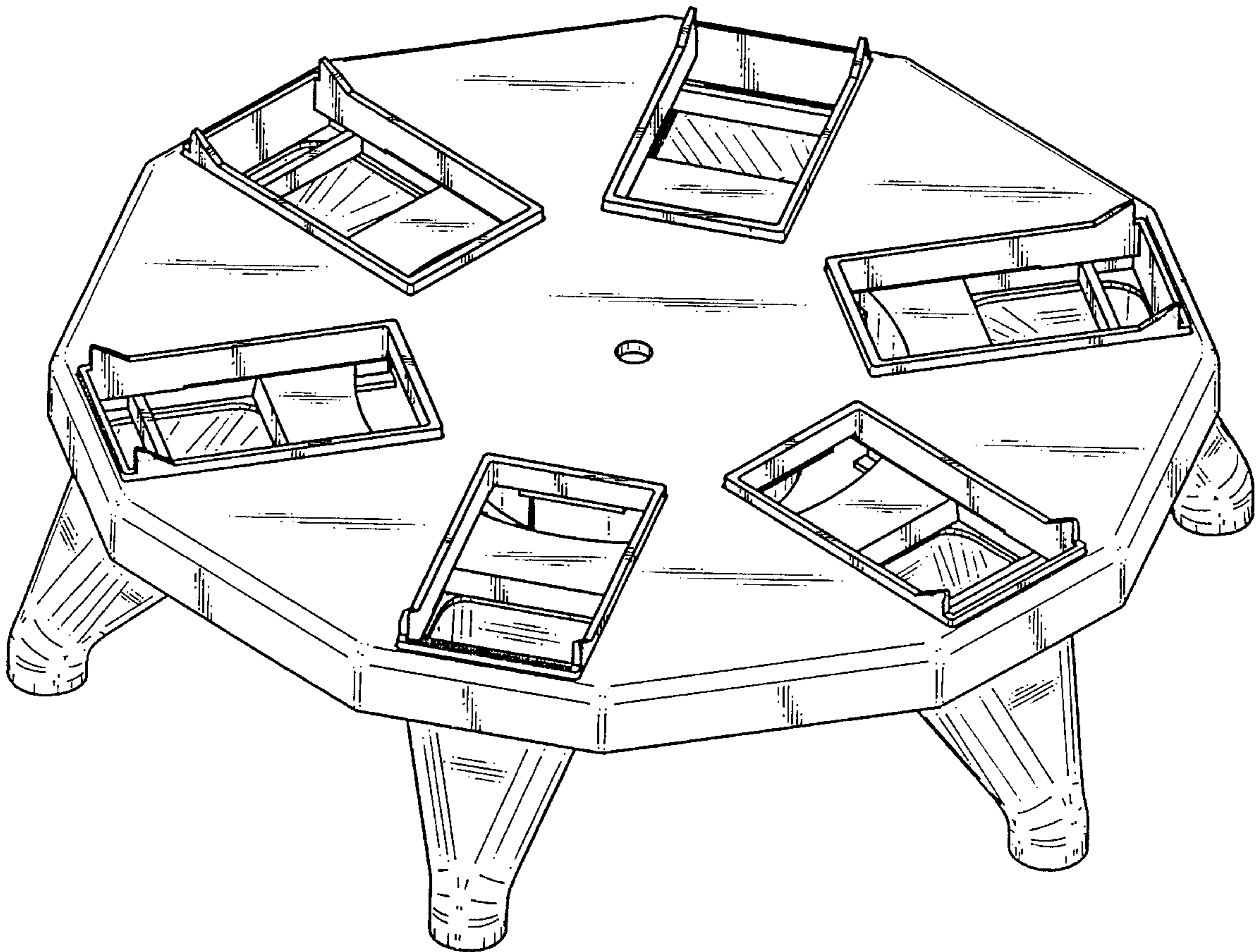
FIG. 1 is a front top perspective view of a base plate for use in a beverage dispensing apparatus embodying my new design;

FIG. 2 is a front bottom perspective view thereof;

FIG. 3 is a front elevational view thereof, the left side elevational view, the right side elevational view and the rear elevational view being identical thereto; and,

FIG. 4 is a bottom plan view thereof.

1 Claim, 4 Drawing Sheets



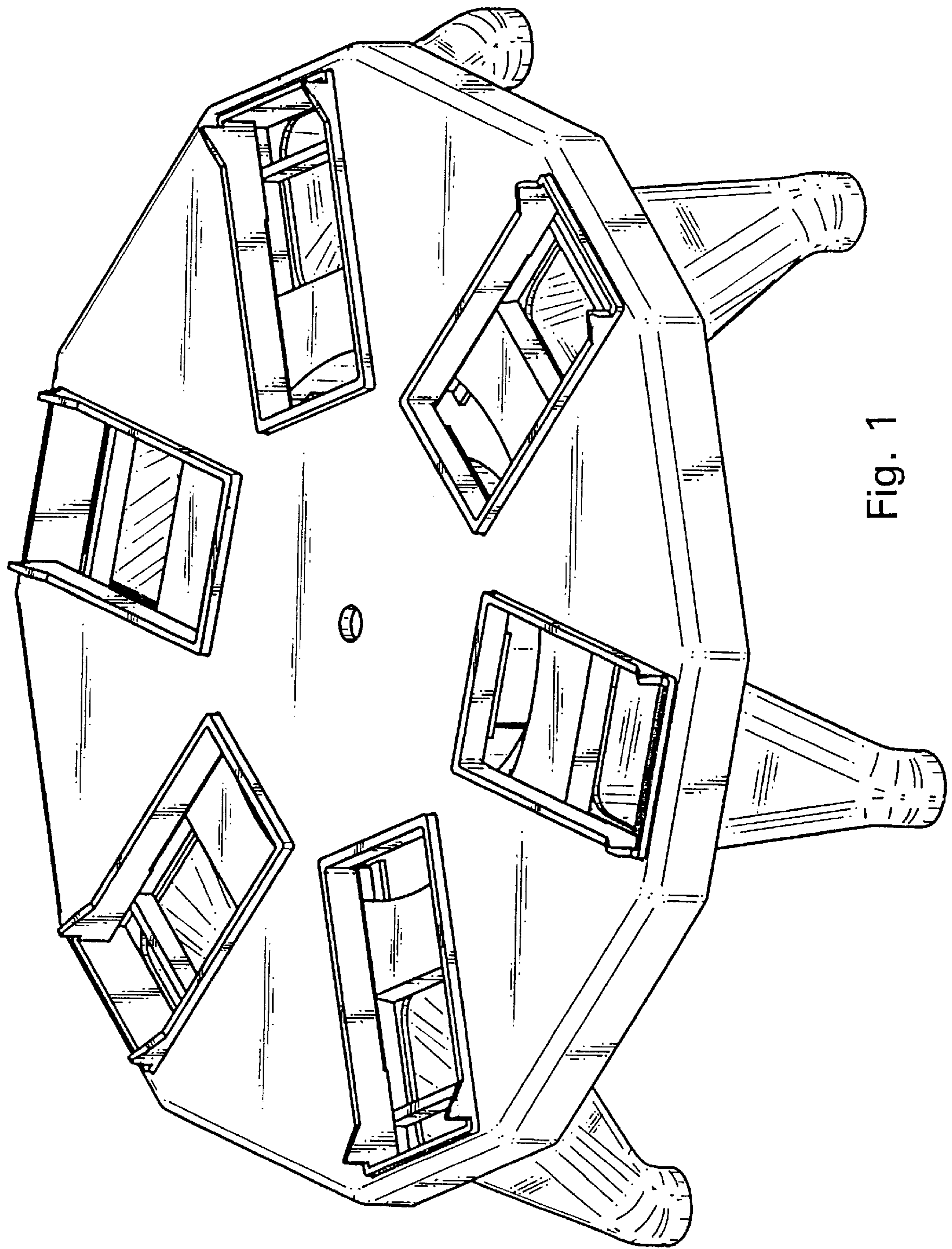


Fig. 1

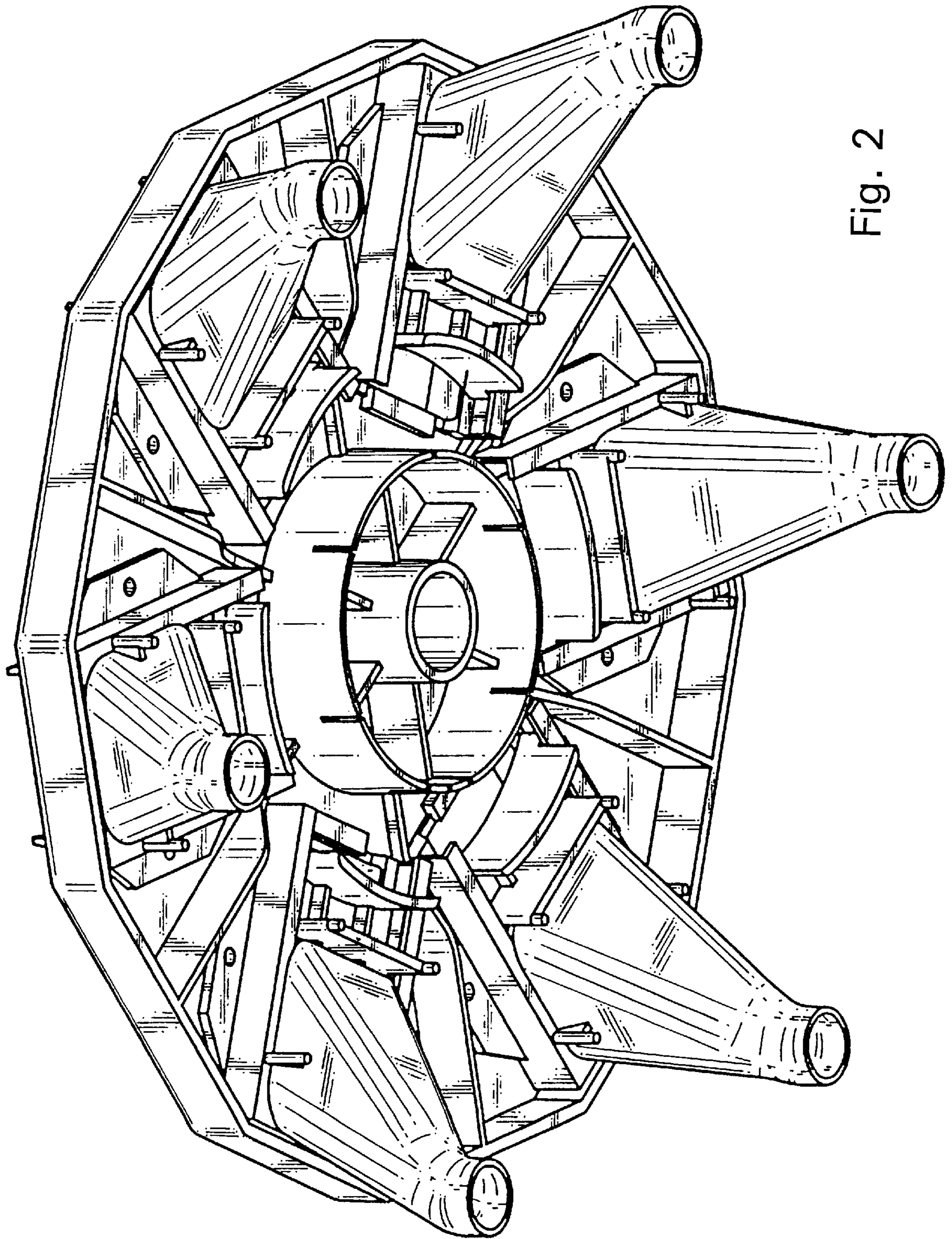


Fig. 2

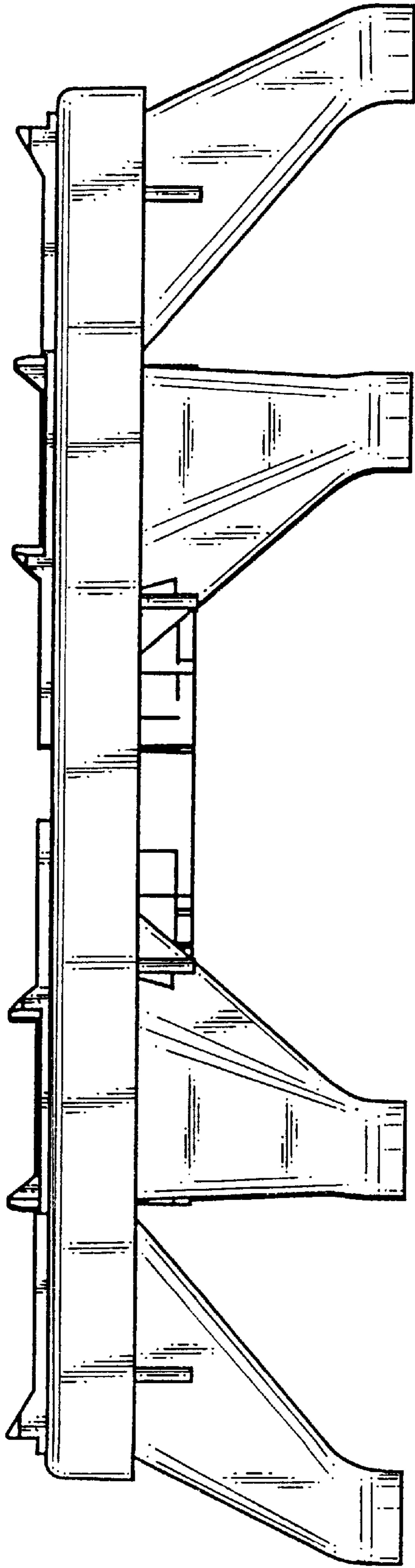


Fig. 3

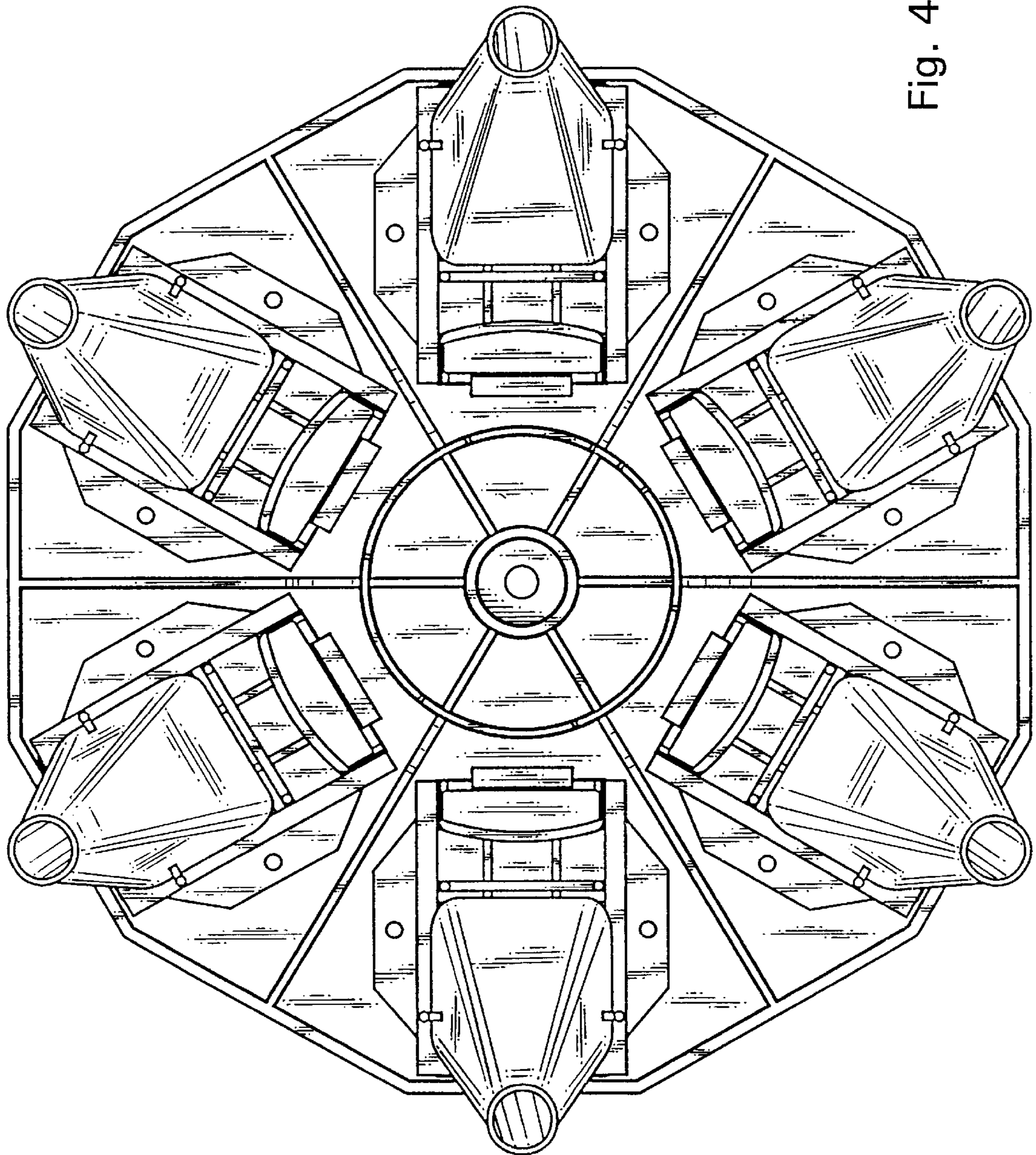


Fig. 4