



US00D422173S

United States Patent [19]

[11] Patent Number: **Des. 422,173**

He et al.

[45] Date of Patent: **** Apr. 4, 2000**

[54] **VEGETABLE PEELING APPARATUS**

1,631,854	6/1927	Carroll	99/590 X
4,137,839	2/1979	Couture et al.	99/541
5,097,758	3/1992	Fresh	99/590
5,690,022	11/1997	Chai	99/590

[75] Inventors: **Shen Long He**, Ningbo, China; **Pierre Tardif**, Longueuil, Canada

[73] Assignee: **Les Promotions Atlantiques Inc.**, Longueuil, Canada

[**] Term: **14 Years**

[21] Appl. No.: **29/089,303**

[22] Filed: **Jun. 12, 1998**

[30] Foreign Application Priority Data

Jan. 9, 1998 [CA] Canada 1998-0001

[51] **LOC (6) Cl.** **31-00**

[52] **U.S. Cl.** **D7/381**

[58] **Field of Search** D7/376, 381, 383, D7/384, 386; 99/539, 540, 541, 590

[56] References Cited

U.S. PATENT DOCUMENTS

D. 156,845	1/1950	Ross	D7/381
D. 220,212	3/1971	Ashford	D7/381
D. 254,590	4/1980	Doyel	D7/381

OTHER PUBLICATIONS

Copy of the packaging of the product sold under the trademark STRIPPER by DAZEY CORP., date unknown.

Primary Examiner—Caron D. Veynar
Attorney, Agent, or Firm—Darby & Darby

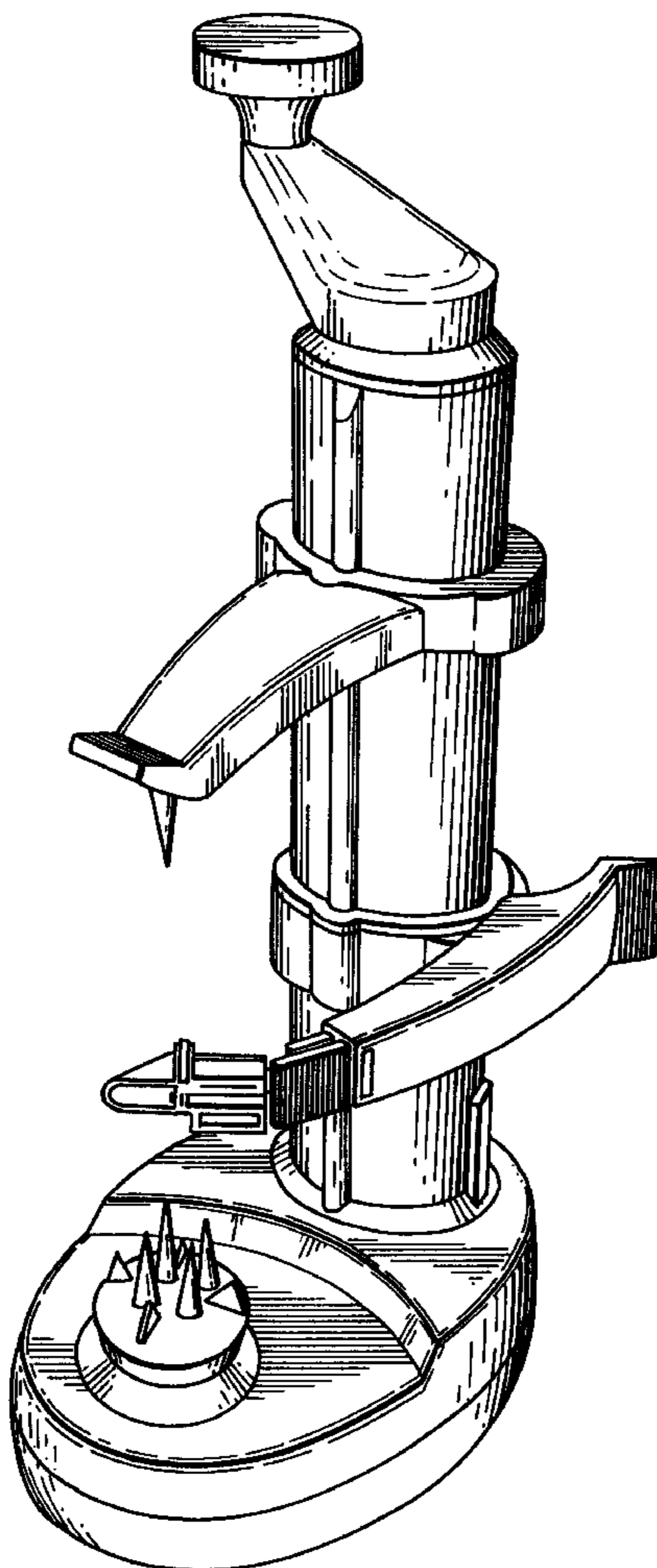
[57] CLAIM

The ornamental design for a vegetable peeling apparatus, as shown and described.

DESCRIPTION

FIG. 1 is a perspective view of a vegetable peeling apparatus, showing our new design;
FIG. 2 is a left side elevational view thereof;
FIG. 3 is a right side elevational view thereof;
FIG. 4 is a front side elevational view thereof;
FIG. 5 is a rear side elevational view thereof;
FIG. 6 is a top plan view thereof; and,
FIG. 7 is a bottom plan view thereof.

1 Claim, 6 Drawing Sheets



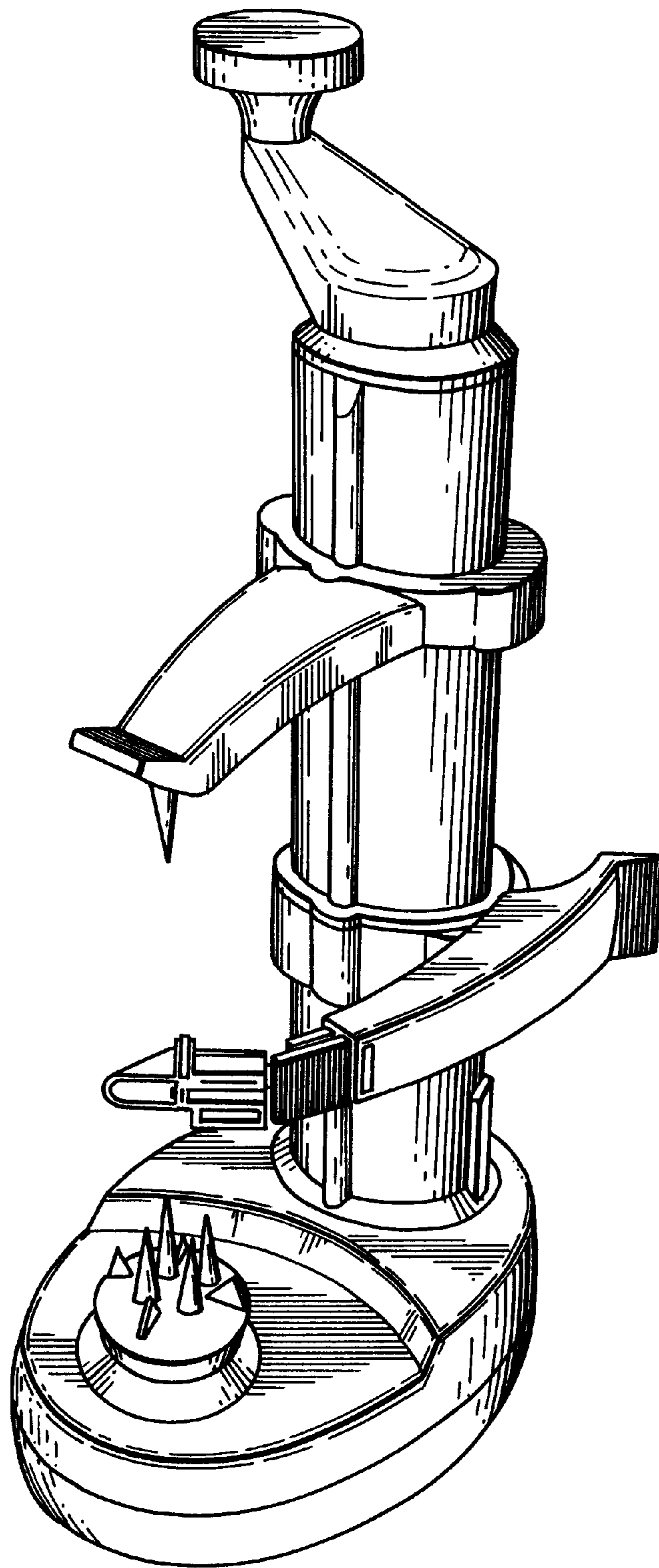


FIG. 1

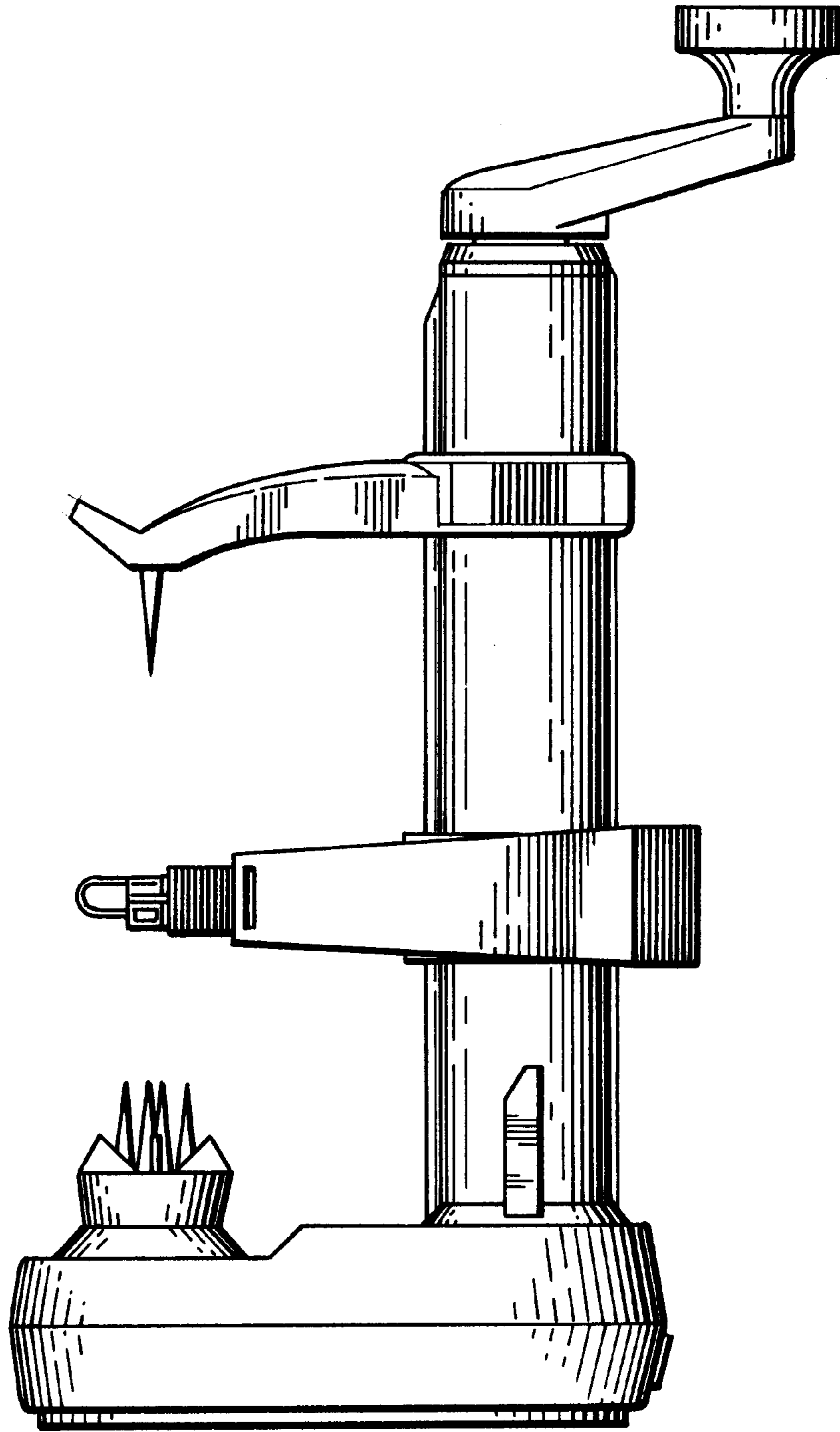


FIG. 2

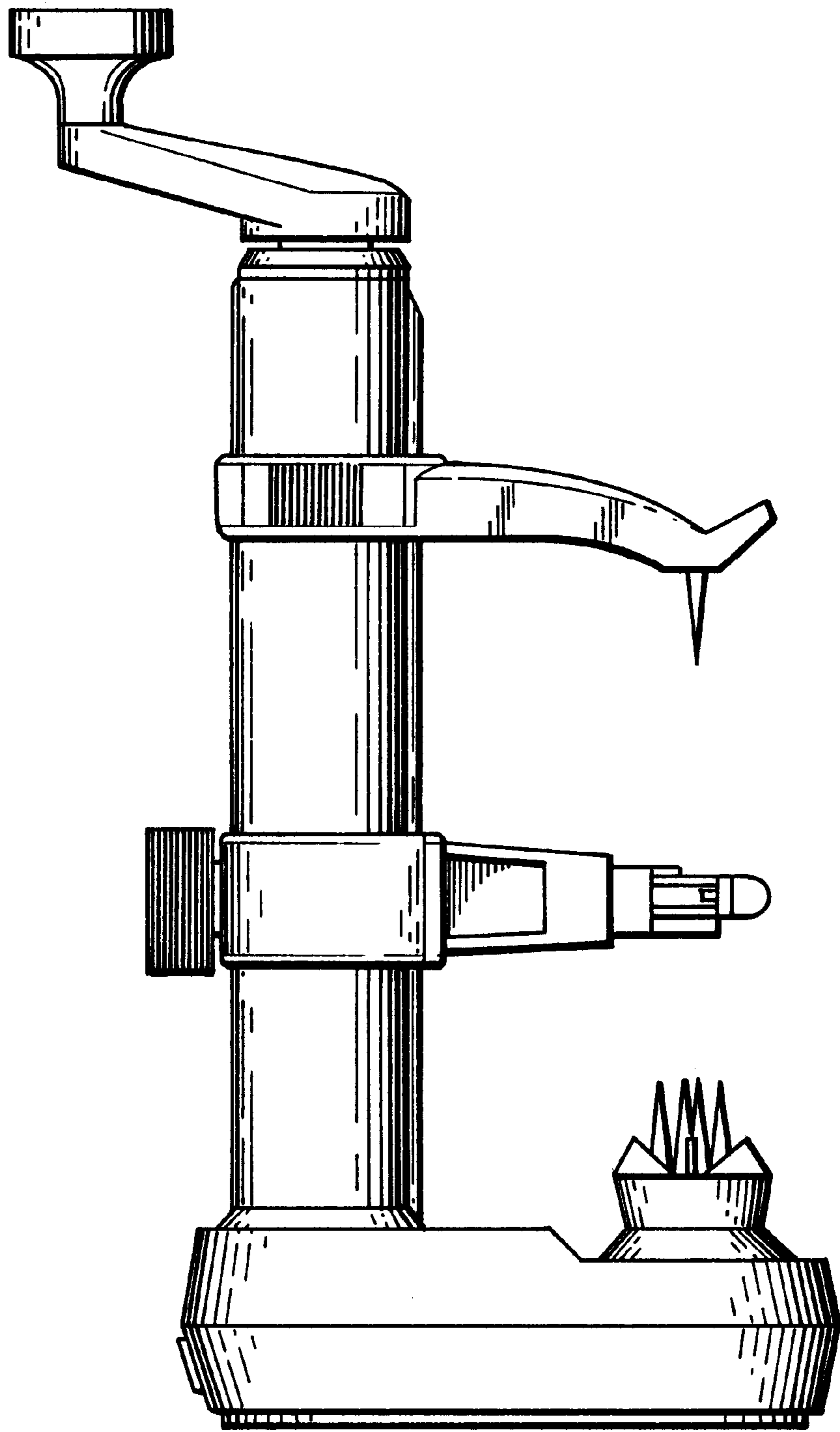


FIG. 3

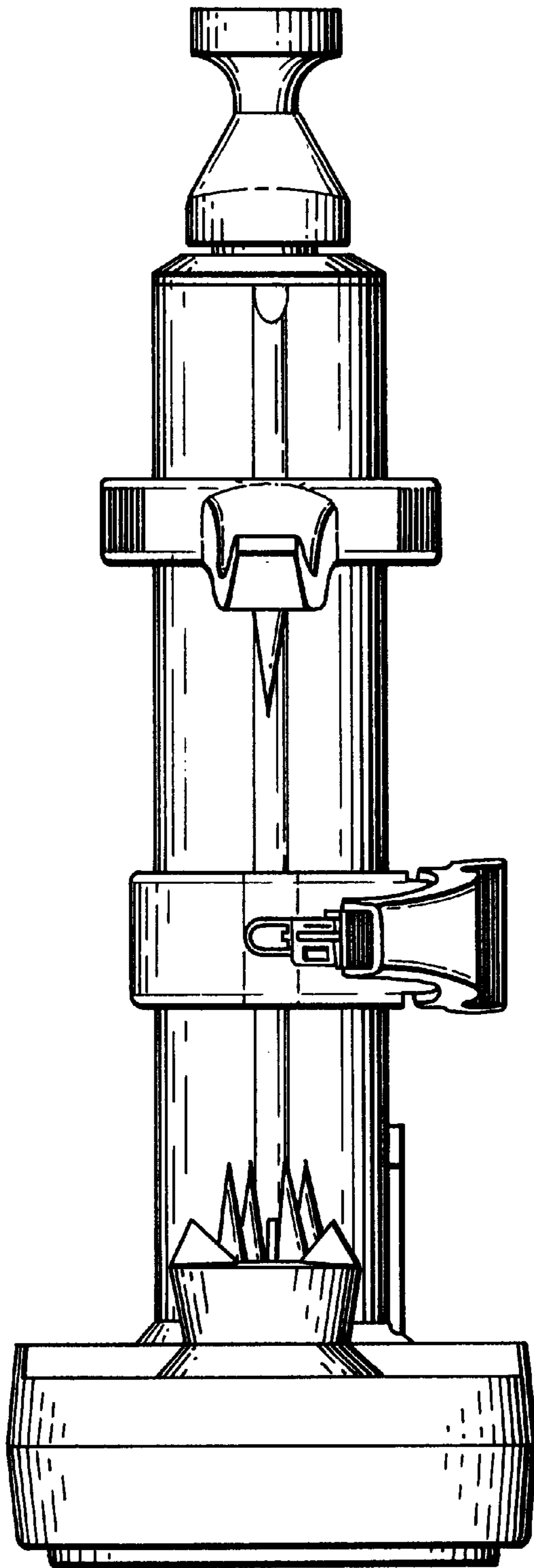


FIG. 4

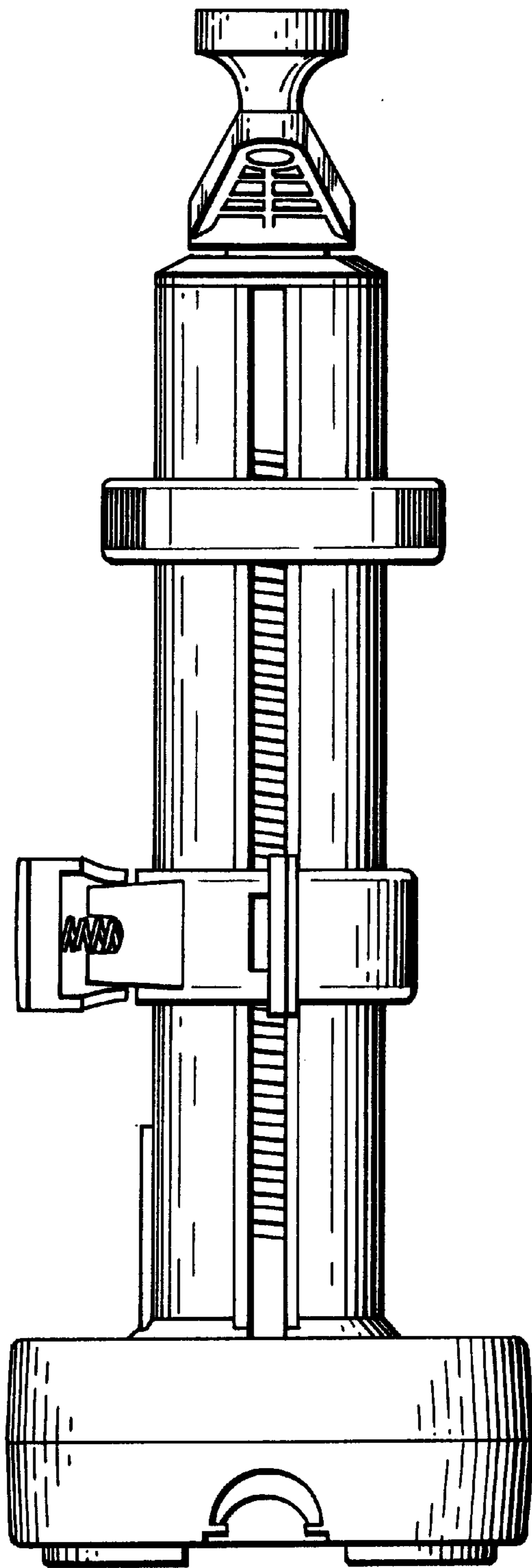


FIG. 5

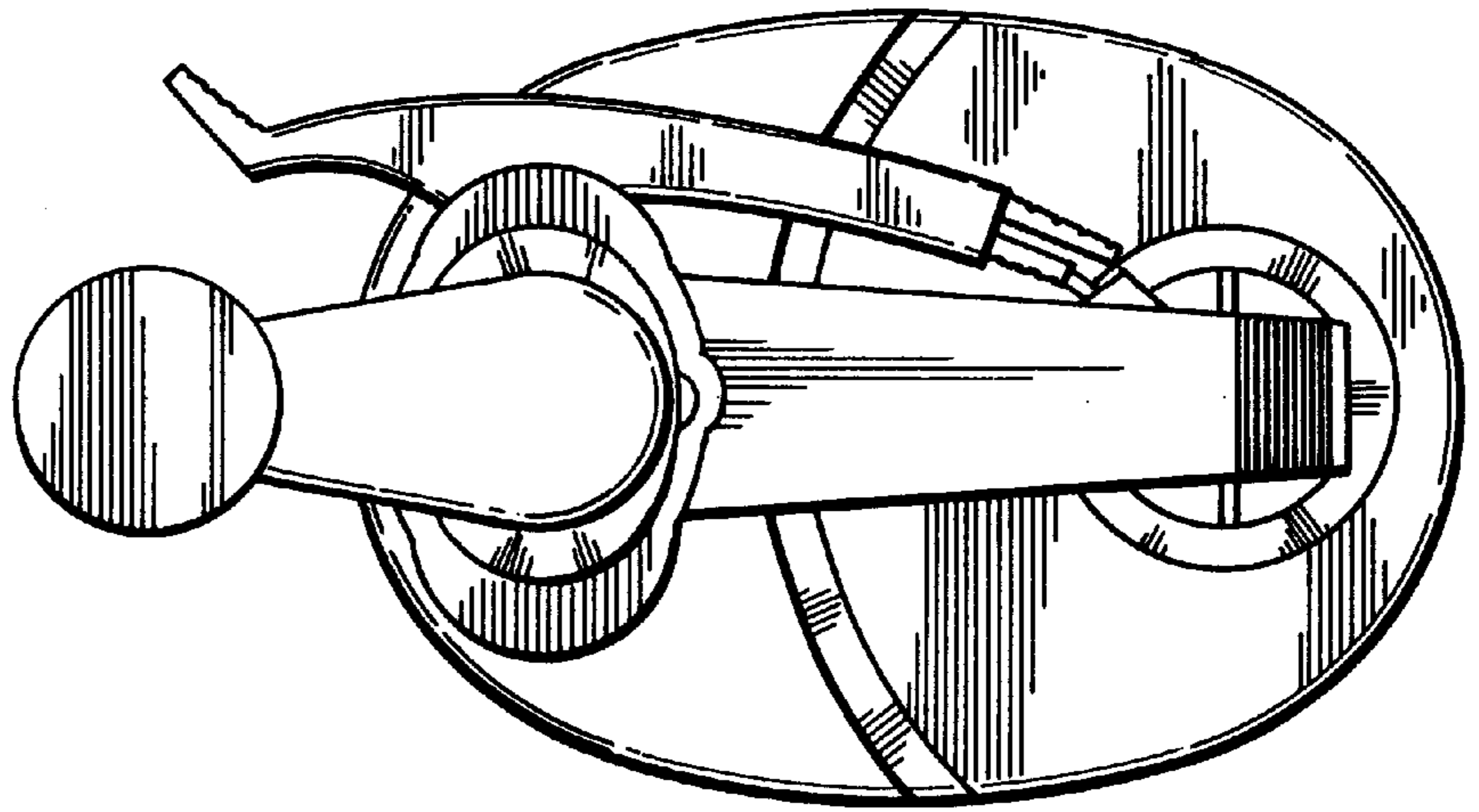


FIG. 6

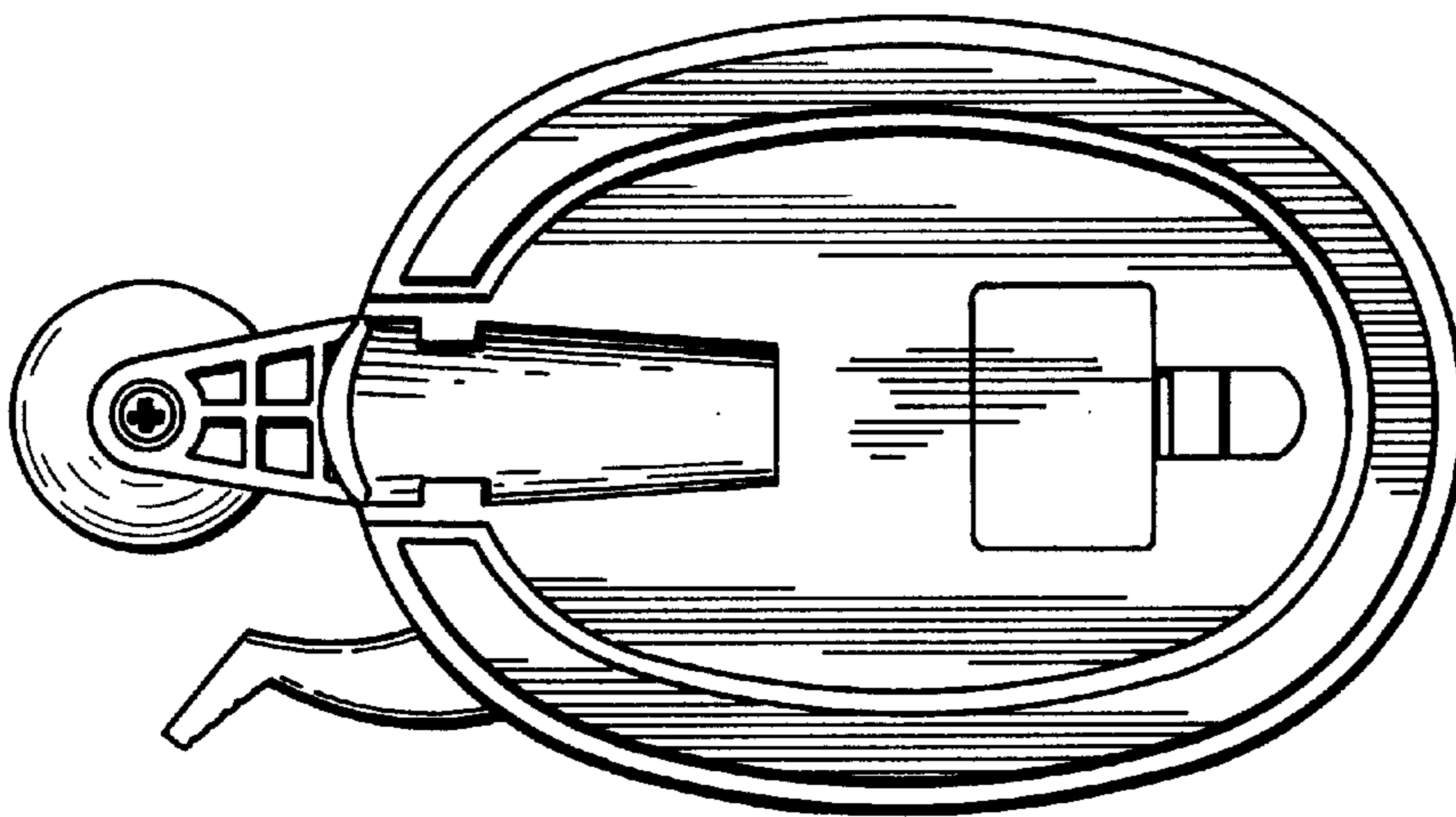


FIG. 7