



US00D422172S

# United States Patent [19]

[11] Patent Number: Des. 422,172

Hsu

[45] Date of Patent: \*\* Apr. 4, 2000

[54] ROASTER

[75] Inventor: Tony Hsu, Yung Kang, Taiwan

[73] Assignee: Lundar Electric Industrial Co., Ltd.,  
Tainan Hsien, Taiwan

[\*\*] Term: 14 Years

[21] Appl. No.: 29/096,137

[22] Filed: Nov. 5, 1998

[51] LOC (6) Cl. .... 07-02

[52] U.S. Cl. .... D7/350; D7/362; D7/337

[58] Field of Search ..... D7/332-338, 402-404,  
D7/362, 363, 365; 126/275 R, 275 E, 19 M,  
19 R, 21 A, 25 R, 25 A, 25 AA, 29-30,  
9 R, 9 A, 9 B, 39 R, 41 R, 40; 219/10.55 R,  
10.55 A, 10.55 B, 10.55 C, 403, 401, 386;  
99/340-341, 419, 421 R, 421 H, 446, 450,  
372

D. 279,537	7/1985	Taylor et al. ....	D7/337
D. 323,952	2/1992	Wagner et al. ....	D7/332
D. 326,792	6/1992	Rodgers et al. ....	D7/337
D. 371,038	6/1996	Hsu .....	D7/350
D. 380,339	7/1997	Hsu .....	D7/350
D. 409,041	5/1999	Barker .....	D7/362
D. 411,782	7/1999	Husted .....	D7/402
D. 412,808	8/1999	Hinton et al. ....	D7/362
4,869,163	9/1989	Haskins .....	99/482
5,524,528	6/1996	Yeh .....	99/446
5,536,518	7/1996	Rummel .....	426/523
5,584,231	12/1996	DeLeon .....	99/332
5,839,356	11/1998	Dornbush et al. ....	99/331

Primary Examiner—Ruth McInroy  
Attorney, Agent, or Firm—Rosenberg, Klein & Lee

### [57] CLAIM

The ornamental design for a roaster, as shown and described.

### DESCRIPTION

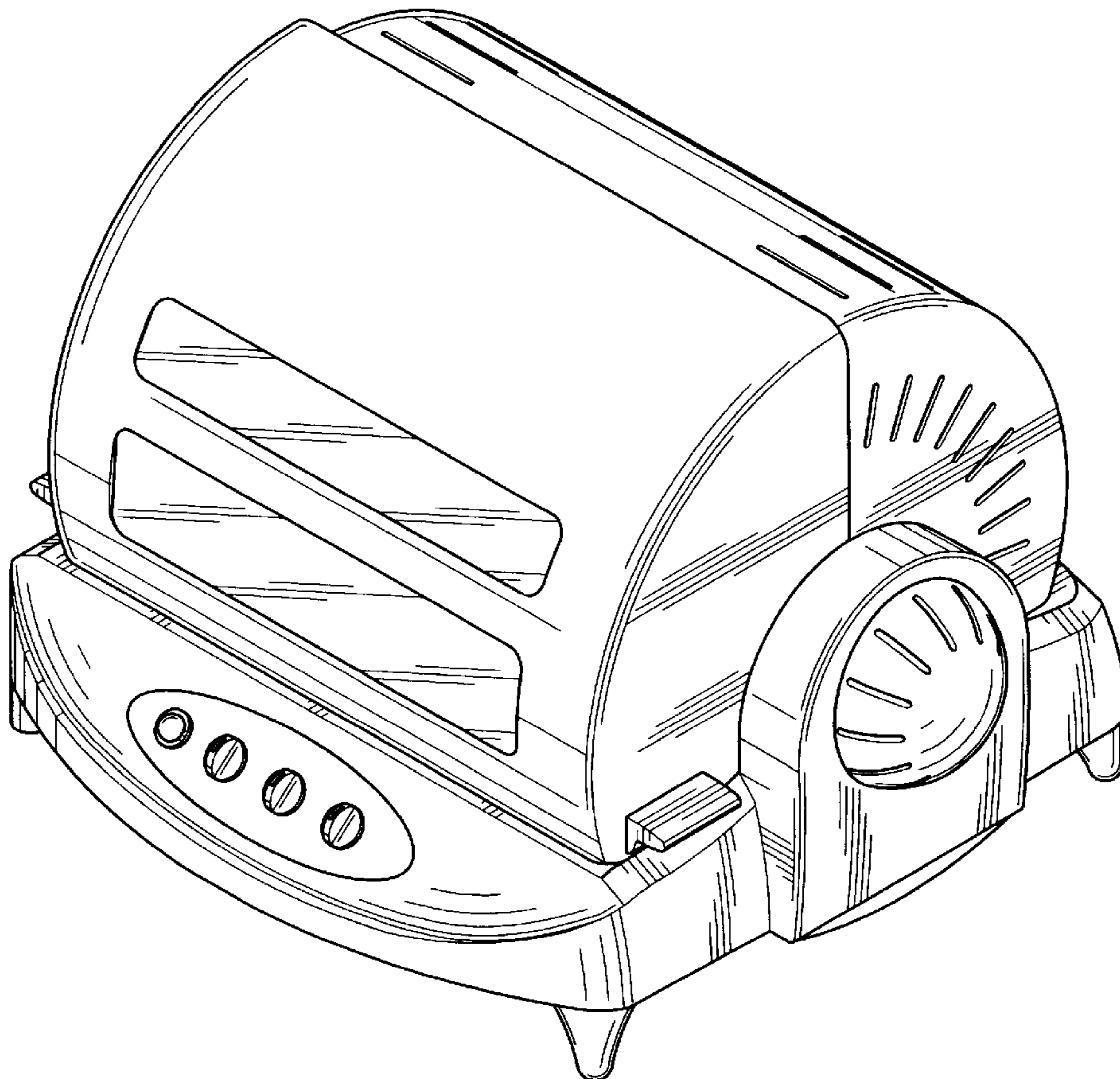
FIG. 1 is a perspective view of a roaster showing my new design;  
FIG. 2 is a front view thereof;  
FIG. 3 is a rear view thereof;  
FIG. 4 is a left view thereof;  
FIG. 5 is a right view thereof;  
FIG. 6 is a top plan view thereof; and,  
FIG. 7 is a bottom plan view.

1 Claim, 4 Drawing Sheets

### [56] References Cited

#### U.S. PATENT DOCUMENTS

Re. 31,833	2/1985	Loeffler et al. ....	99/332
D. 226,455	3/1973	Dushek .....	D7/337
D. 231,892	6/1974	Warshauer .....	D7/362
D. 243,144	1/1977	Jenn et al. ....	D7/337
D. 278,505	4/1985	Mackin .....	D7/337



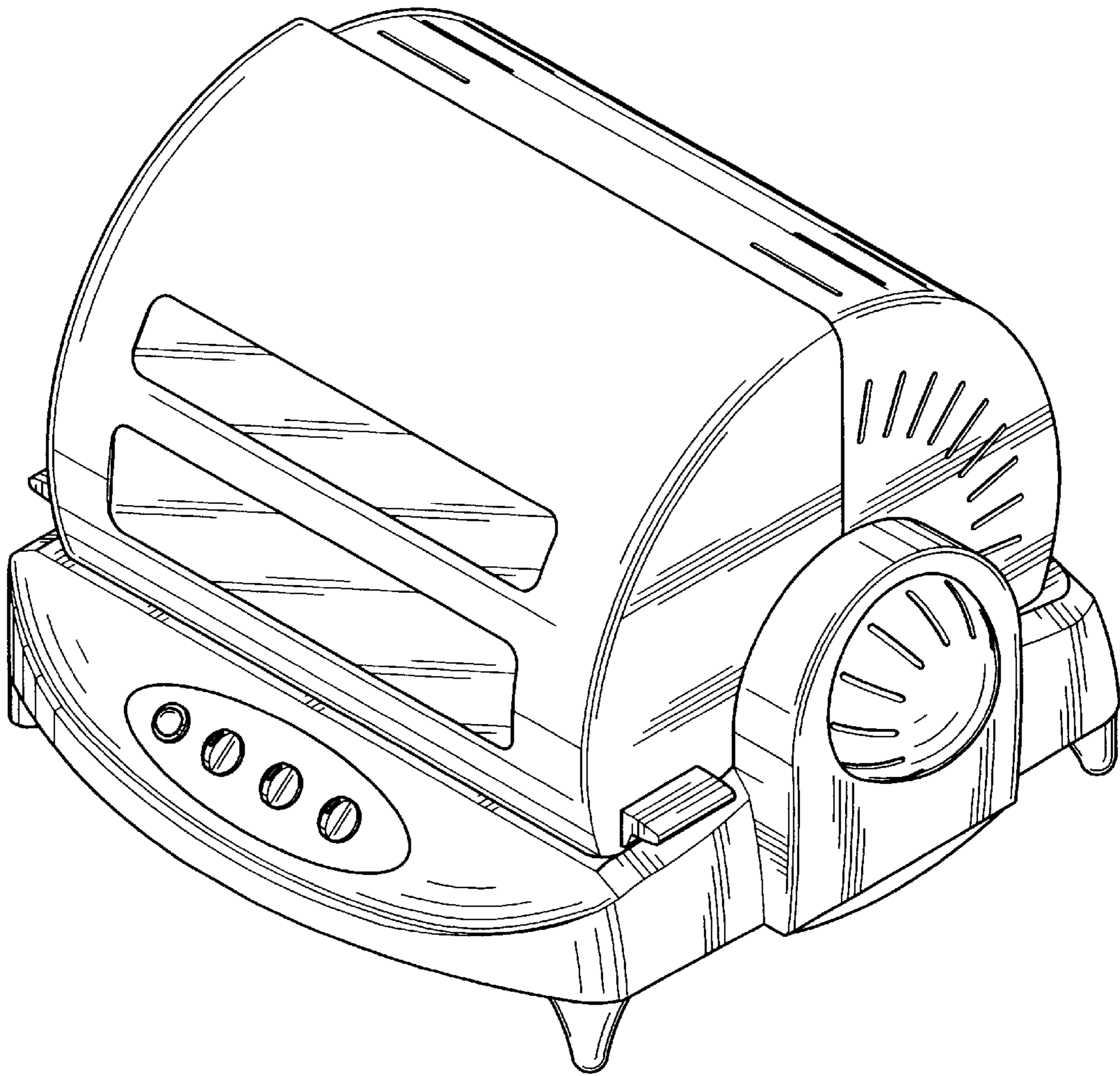


FIG. 1

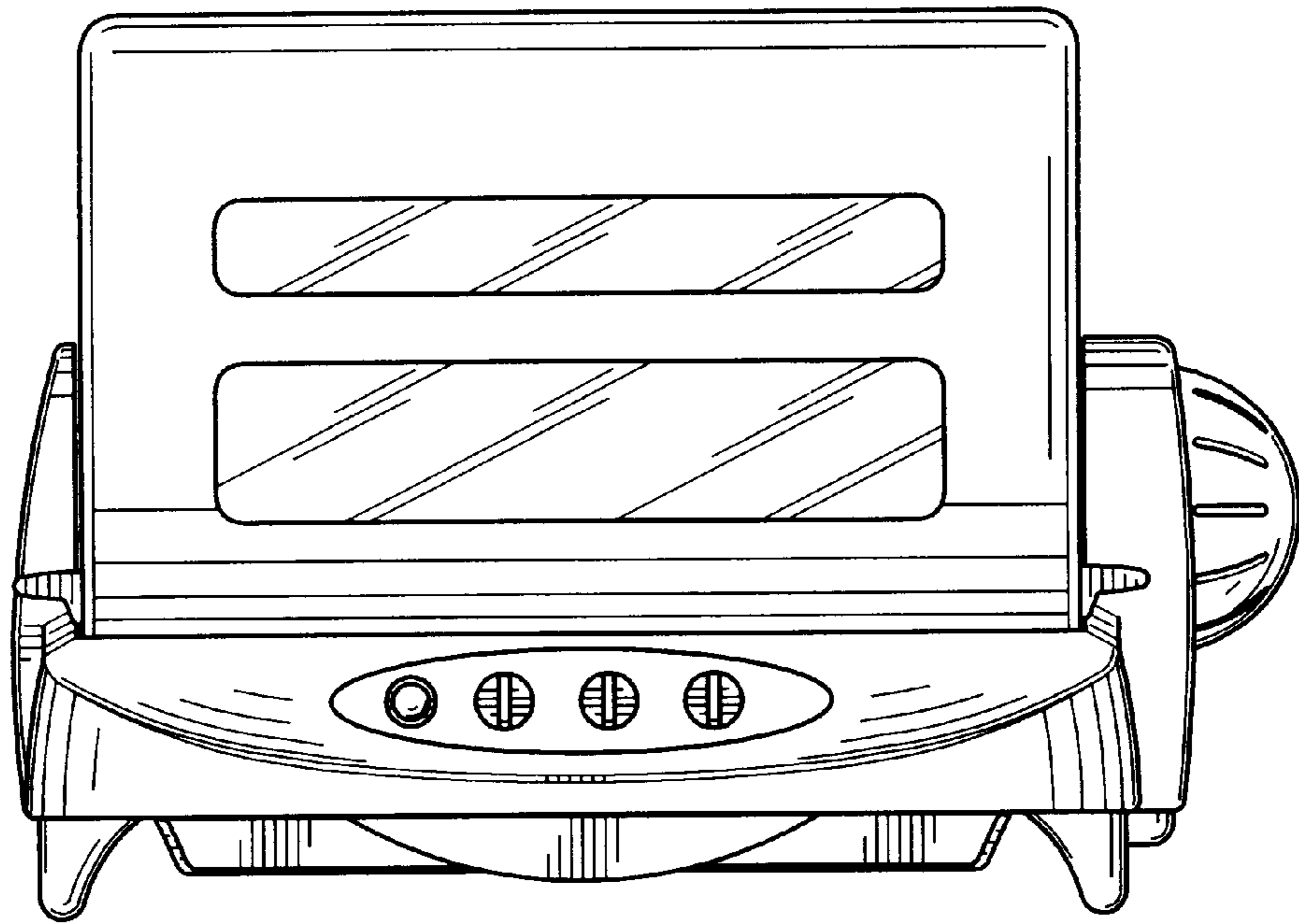


FIG. 2

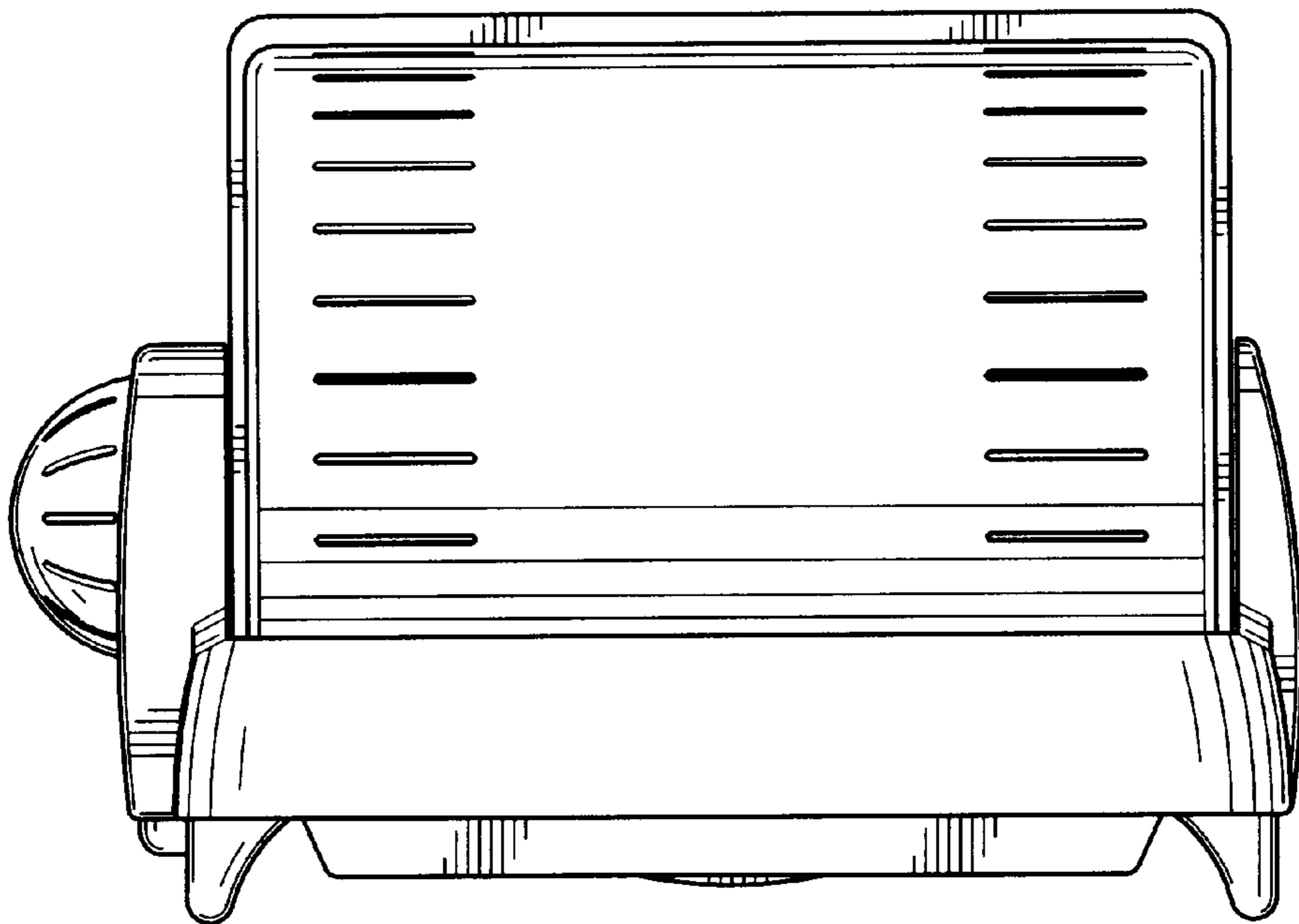


FIG. 3

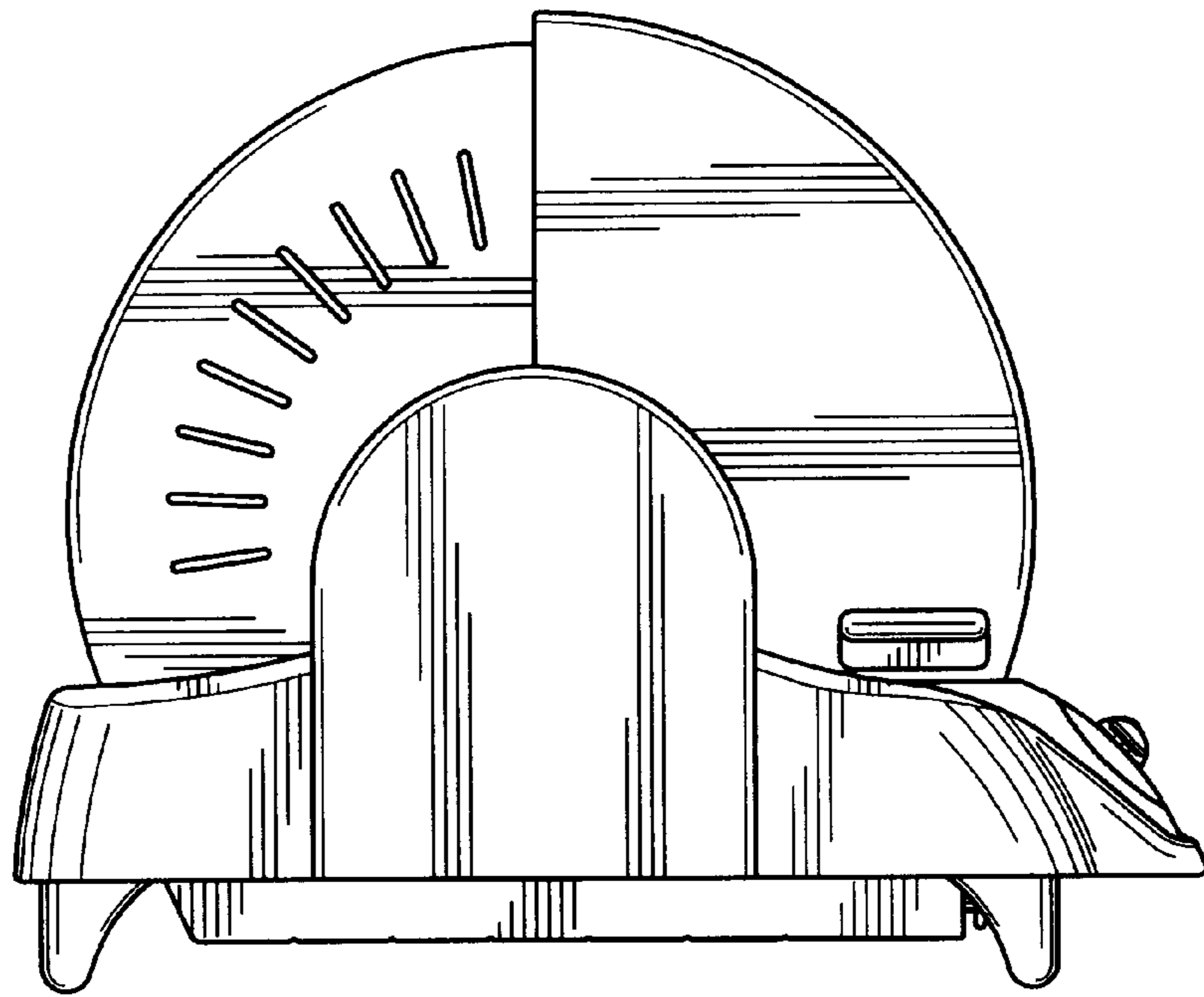


FIG. 4

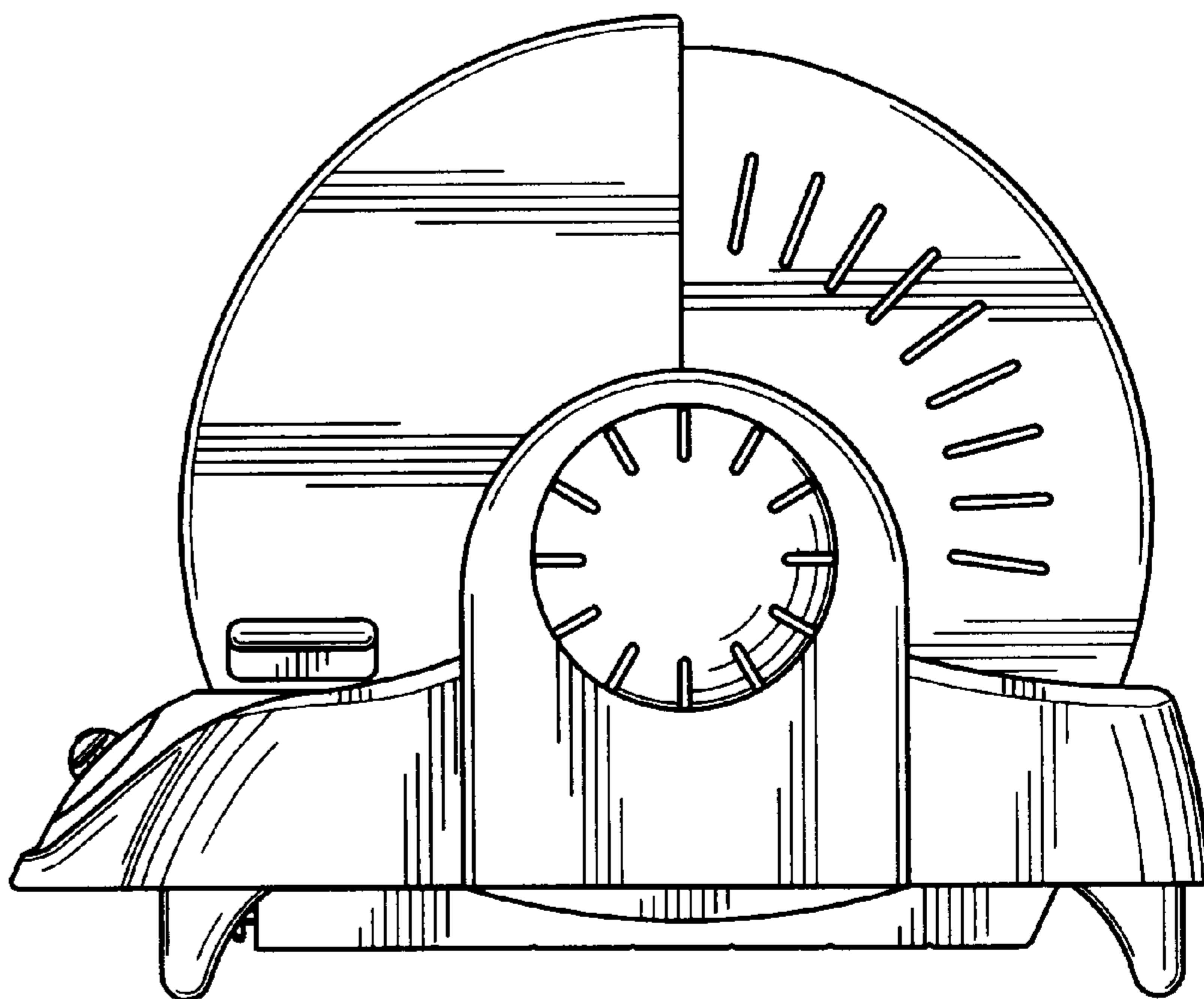


FIG. 5



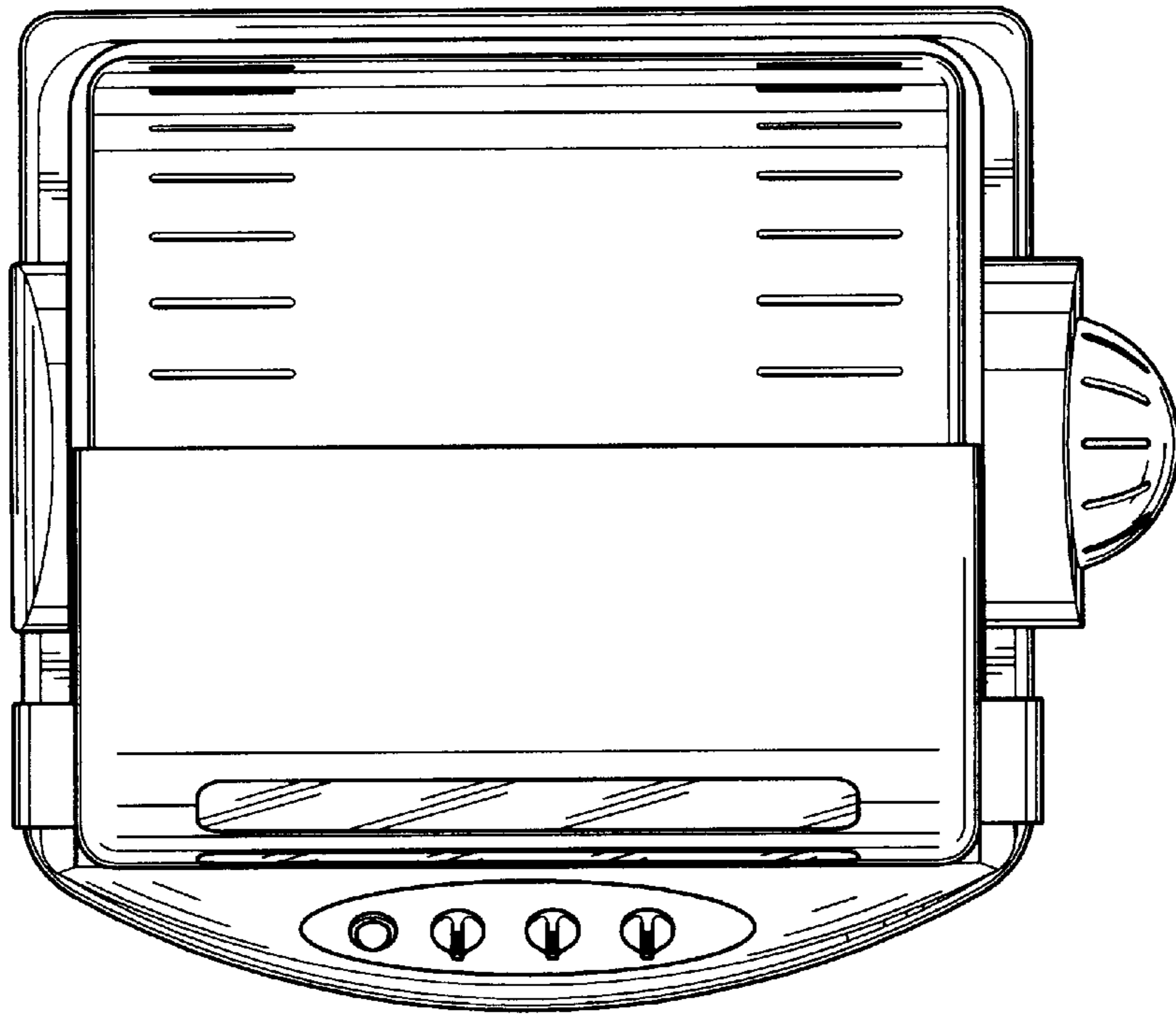


FIG. 6

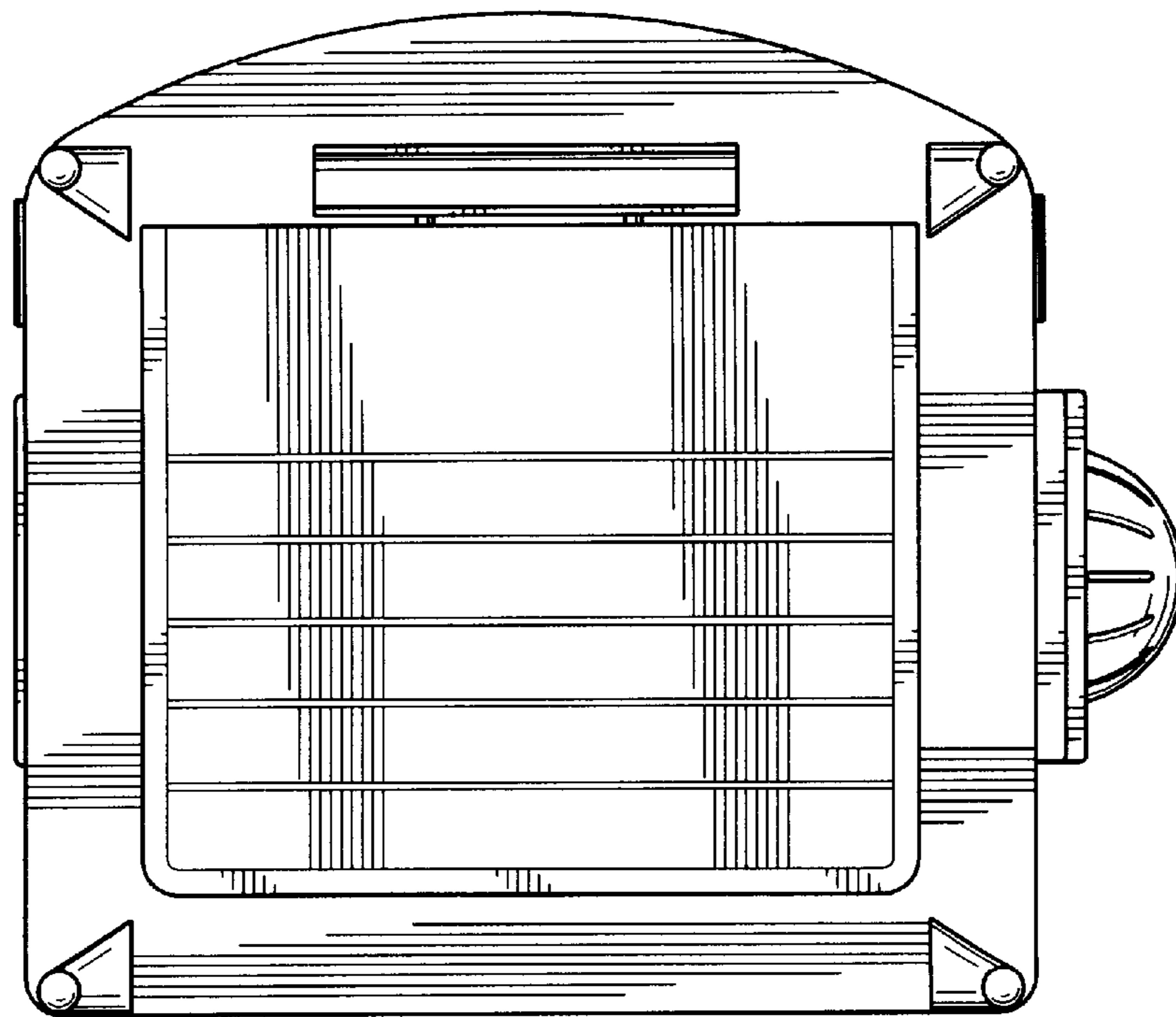


FIG. 7